



US00D478271S

(12) **United States Design Patent**  
**McCoy et al.**

(10) **Patent No.:** **US D478,271 S**

(45) **Date of Patent:** **\*\* Aug. 12, 2003**

(54) **ACCESSORY BRACKET RECEIVER**

(75) Inventors: **Richard W. McCoy**, Granger, IN (US);  
**Jason R. Moldthan**, Osceola, IN (US)

(73) Assignee: **Cequent Towing Products, Inc.**,  
Plymouth, MI (US)

(\*\*) Term: **14 Years**

(21) Appl. No.: **29/164,121**

(22) Filed: **Jul. 18, 2002**

(51) **LOC (7) Cl.** ..... **08-05**

(52) **U.S. Cl.** ..... **D8/376; D12/223**

(58) **Field of Search** ..... D8/349, 354, 355,  
D8/356, 363, 373, 380; D12/162, 223,  
406, 412, 414; D25/121, 122, 123, 124;  
224/488, 500, 508; 248/200, 214, 251,  
300; 280/477

(56) **References Cited**

**U.S. PATENT DOCUMENTS**

- D134,792 S \* 1/1943 Beil ..... D25/121
- D158,461 S \* 5/1950 Hammerly ..... D25/121
- 2,975,874 A \* 3/1961 Pagan ..... 138/163
- D219,877 S \* 2/1971 Thompson ..... D25/122
- D273,778 S \* 5/1984 Ruhland ..... D12/162

- D322,486 S \* 12/1991 Westphal et al. .... D25/122
- D342,015 S \* 12/1993 Andrejew ..... D8/373
- D372,301 S \* 7/1996 Lavrov ..... D25/124
- 5,820,004 A 10/1998 Lane
- D458,576 S 6/2002 McCoy et al.

\* cited by examiner

*Primary Examiner*—Doris V. Coles

*Assistant Examiner*—Elizabeth A. Albert

(74) *Attorney, Agent, or Firm*—King & Schickli, PLLC

(57) **CLAIM**

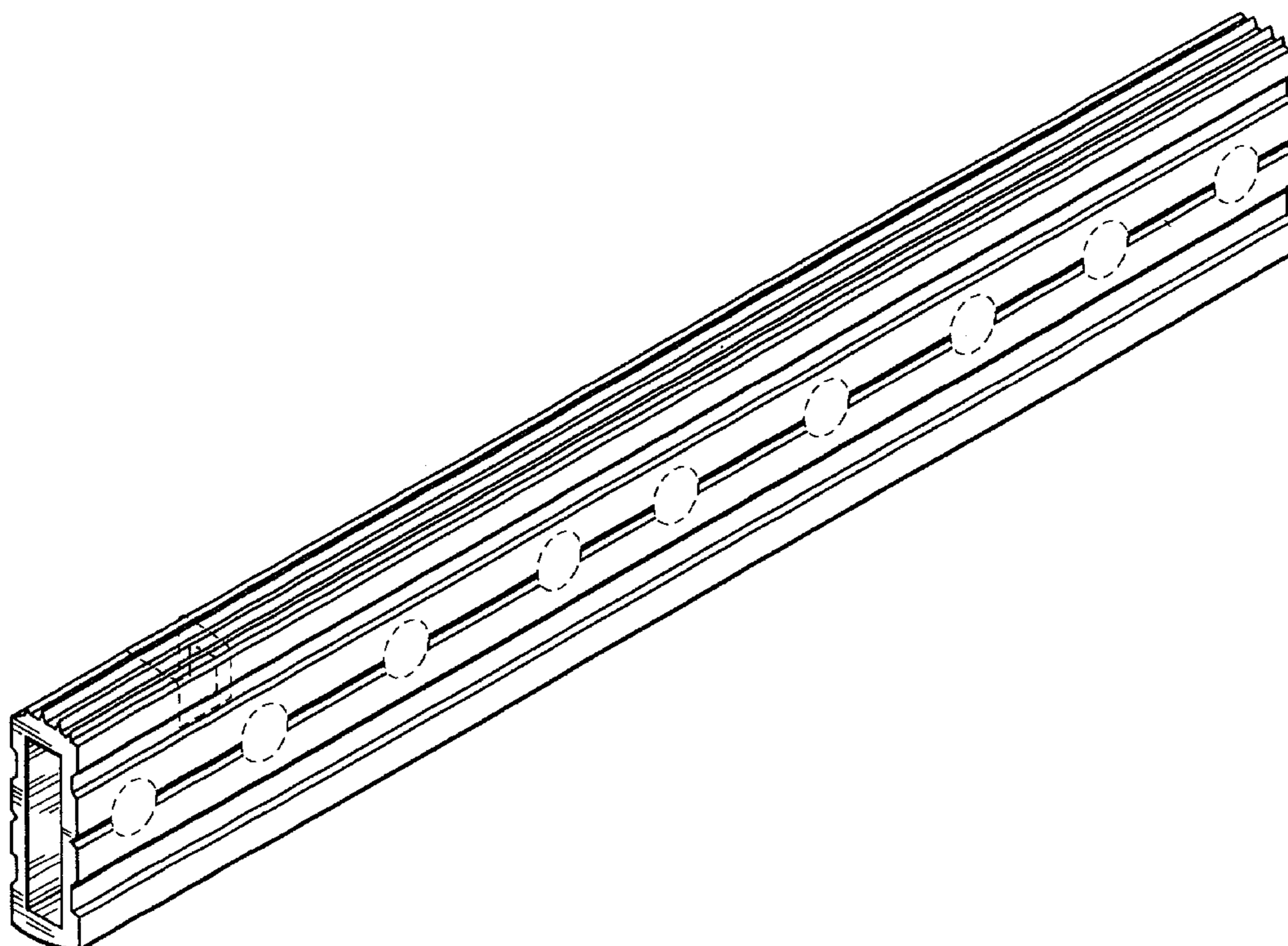
The ornamental design for an accessory bracket receiver, as shown and described.

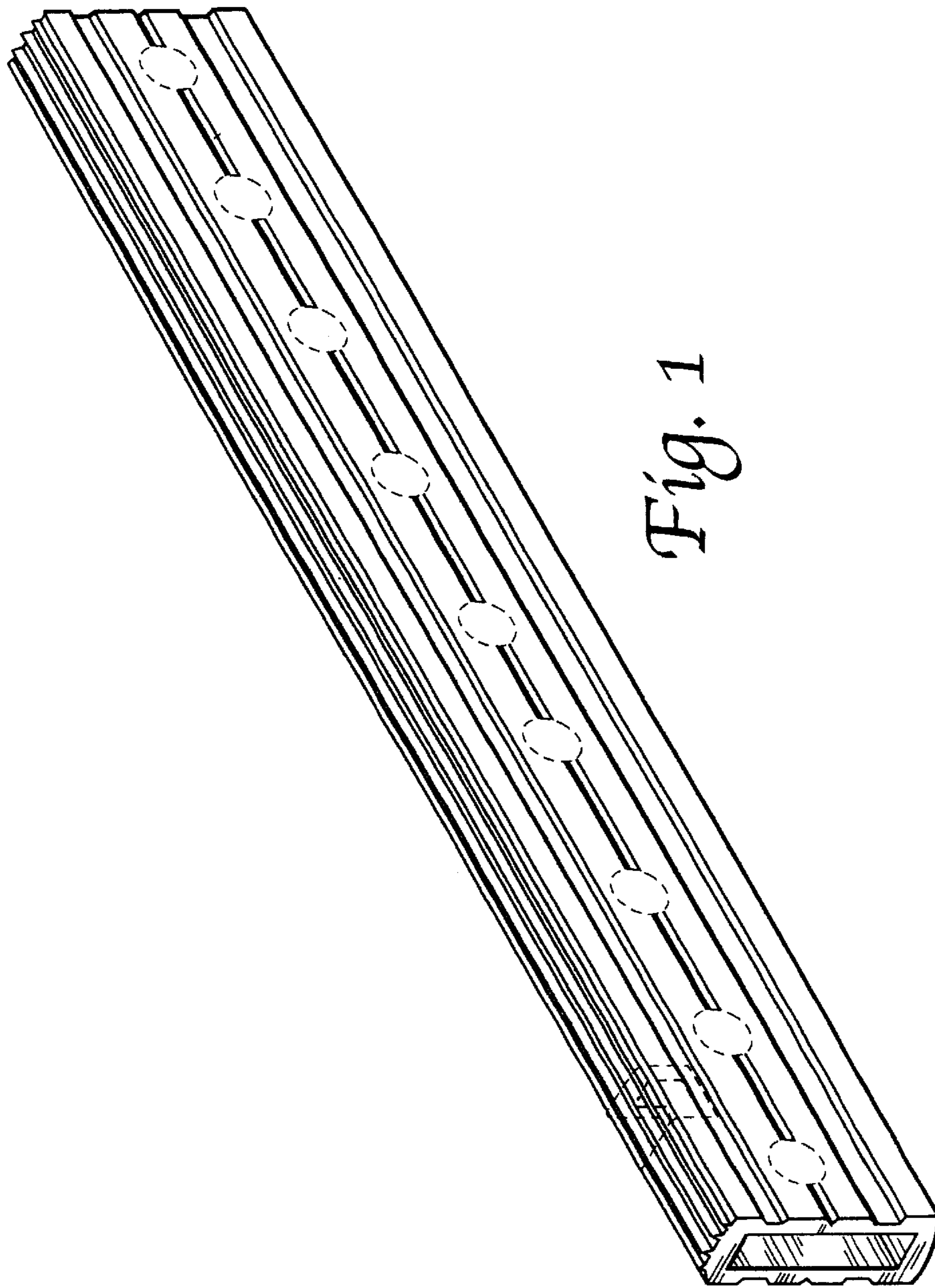
**DESCRIPTION**

FIG. 1 is a perspective view of the accessory bracket receiver of the present invention;  
 FIG. 2 is a left side elevational view thereof;  
 FIG. 3 is a front elevational view, the rear elevational view being a mirror image thereof;  
 FIG. 4 is a right side elevational view thereof;  
 FIG. 5 is a top plan view thereof; and,  
 FIG. 6 is a bottom plan view thereof.

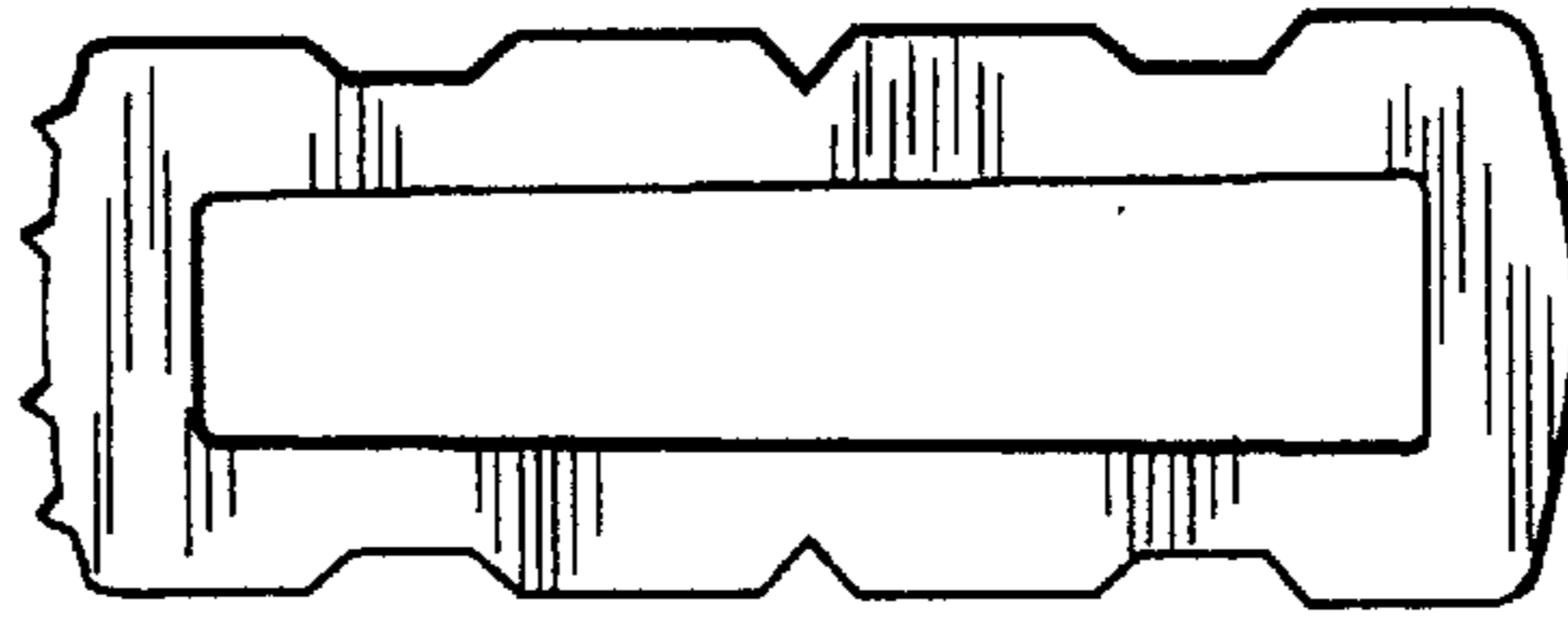
The broken lines showing environment in the drawings are for illustrative purposes only and form no part of the claimed design.

**1 Claim, 2 Drawing Sheets**





*Fig. 1*



*Fig. 3*

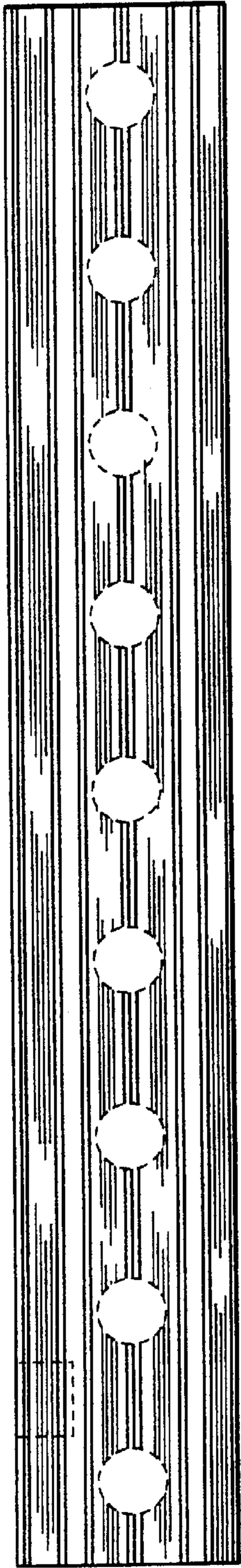


Fig. 2

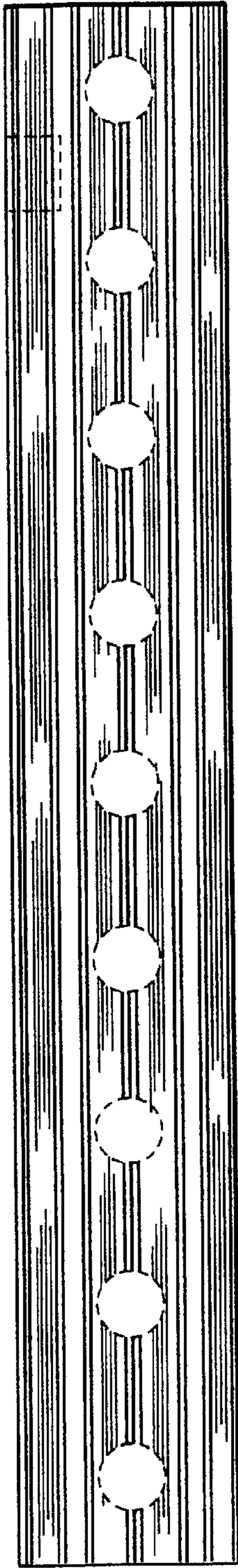


Fig. 4

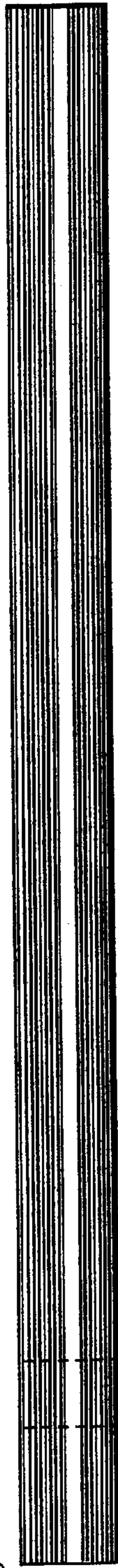


Fig. 5

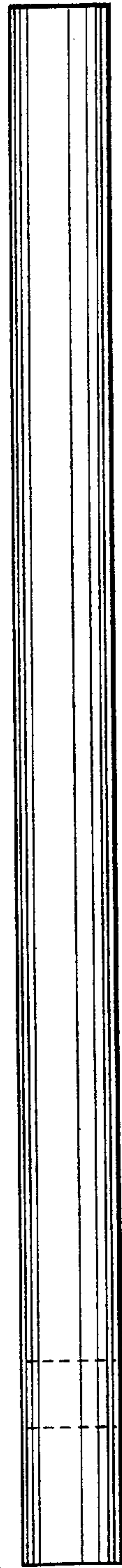


Fig. 6