



US00D478270S

(12) **United States Design Patent**
Curtas et al.

(10) **Patent No.:** **US D478,270 S**

(45) **Date of Patent:** **** Aug. 12, 2003**

(54) **BRACKET**

(75) Inventors: **Luke D. Curtas**, Fredericksburg, VA (US); **Theodore L. Neelands**, Fredericksburg, VA (US); **Sidney S. Hendrix**, Fredericksburg, VA (US)

(73) Assignee: **Mid Atlantic Vinyl Products, Inc.**, Fredericksburg, VA (US)

(**) Term: **14 Years**

(21) Appl. No.: **29/173,095**

(22) Filed: **Dec. 20, 2002**

(51) **LOC (7) Cl.** **08-05**

(52) **U.S. Cl.** **D8/354**

(58) **Field of Search** D8/349, 354, 356, D8/363, 366, 373, 380, 394; D25/102, 199; 52/712, 714; 174/53, 59; 248/200, 300; 256/55, 59, 65.01, 65.02, 65.03, 65.04, 65.06, 65.07, 66, 67, 69; 403/171, 187, 192, 230, 260, 262

(56) **References Cited**

U.S. PATENT DOCUMENTS

2,172,796 A * 9/1939 Krasin 52/714

4,105,862 A * 8/1978 Hoehn 174/53
5,788,224 A * 8/1998 Platt 256/59
D427,889 S * 7/2000 Gretz D8/354
D435,213 S * 12/2000 Erwin D8/363
D436,836 S * 1/2001 Erwin D8/354
D437,772 S * 2/2001 Erwin D8/354

* cited by examiner

Primary Examiner—Doris V. Coles

Assistant Examiner—Elizabeth Albert

(74) *Attorney, Agent, or Firm*—Jeffrey D. Carter

(57) **CLAIM**

The ornamental design of a bracket, as shown and described.

DESCRIPTION

FIG. 1 is a perspective view of the bracket of the present invention;

FIG. 2 is a front view thereof, the rear view being identical to the front view;

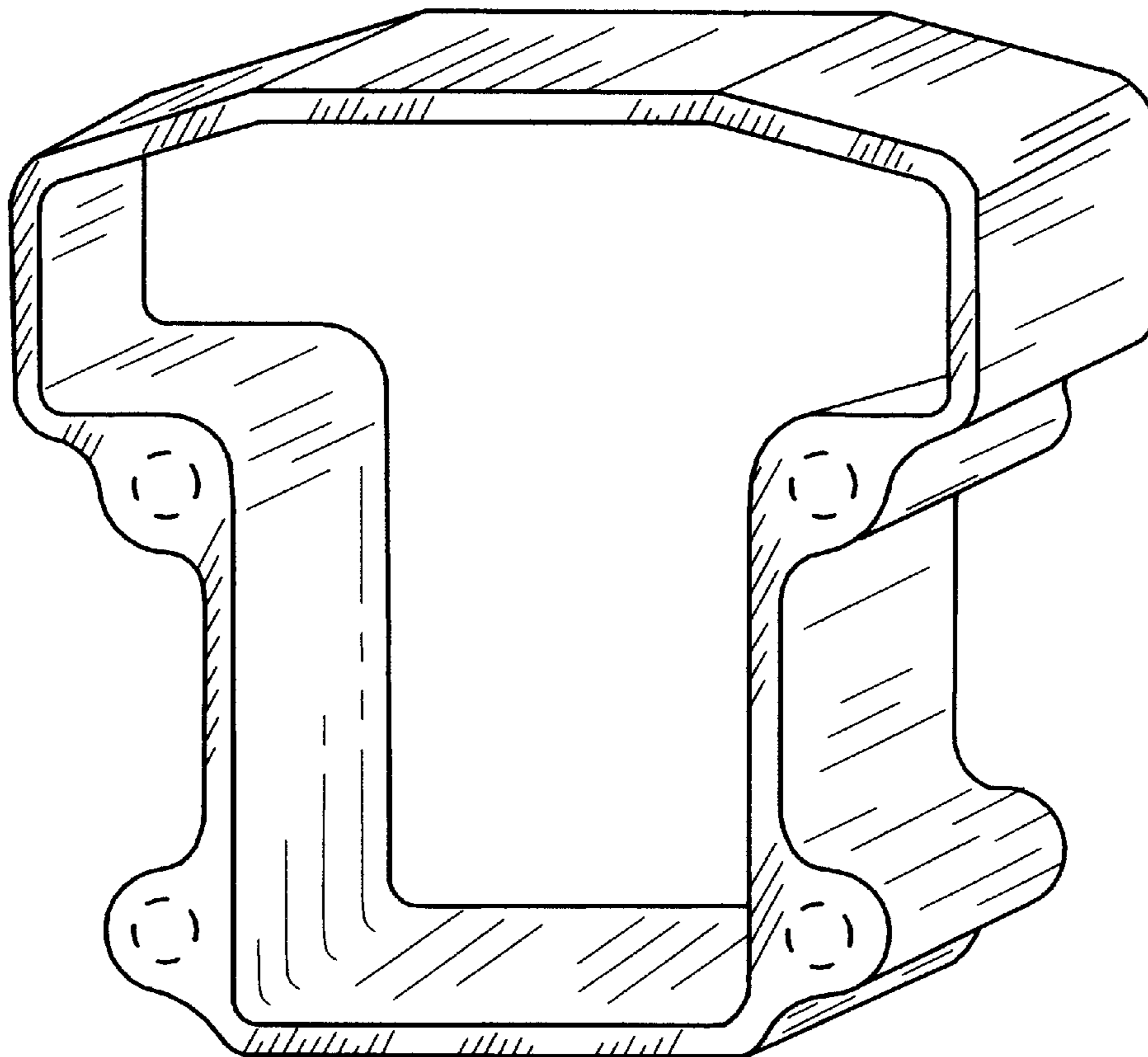
FIG. 3 is a right side view thereof, the left side view being identical to the right side view;

FIG. 4 is a top view thereof; and,

FIG. 5 is a bottom view thereof.

The broken lines shown in all drawing views are for illustrative purposes only and form no part of the claimed design.

1 Claim, 5 Drawing Sheets



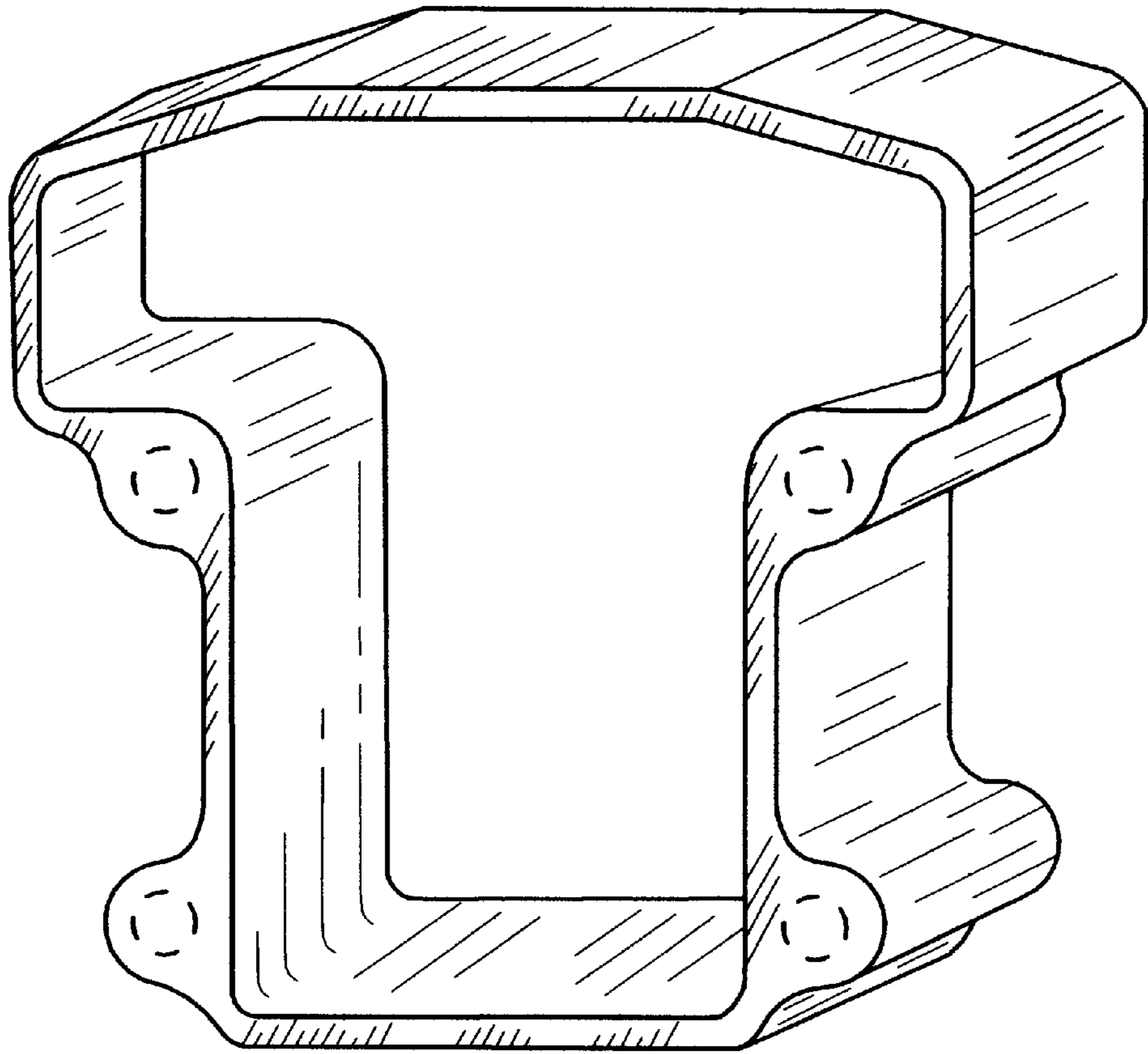


FIG. 1

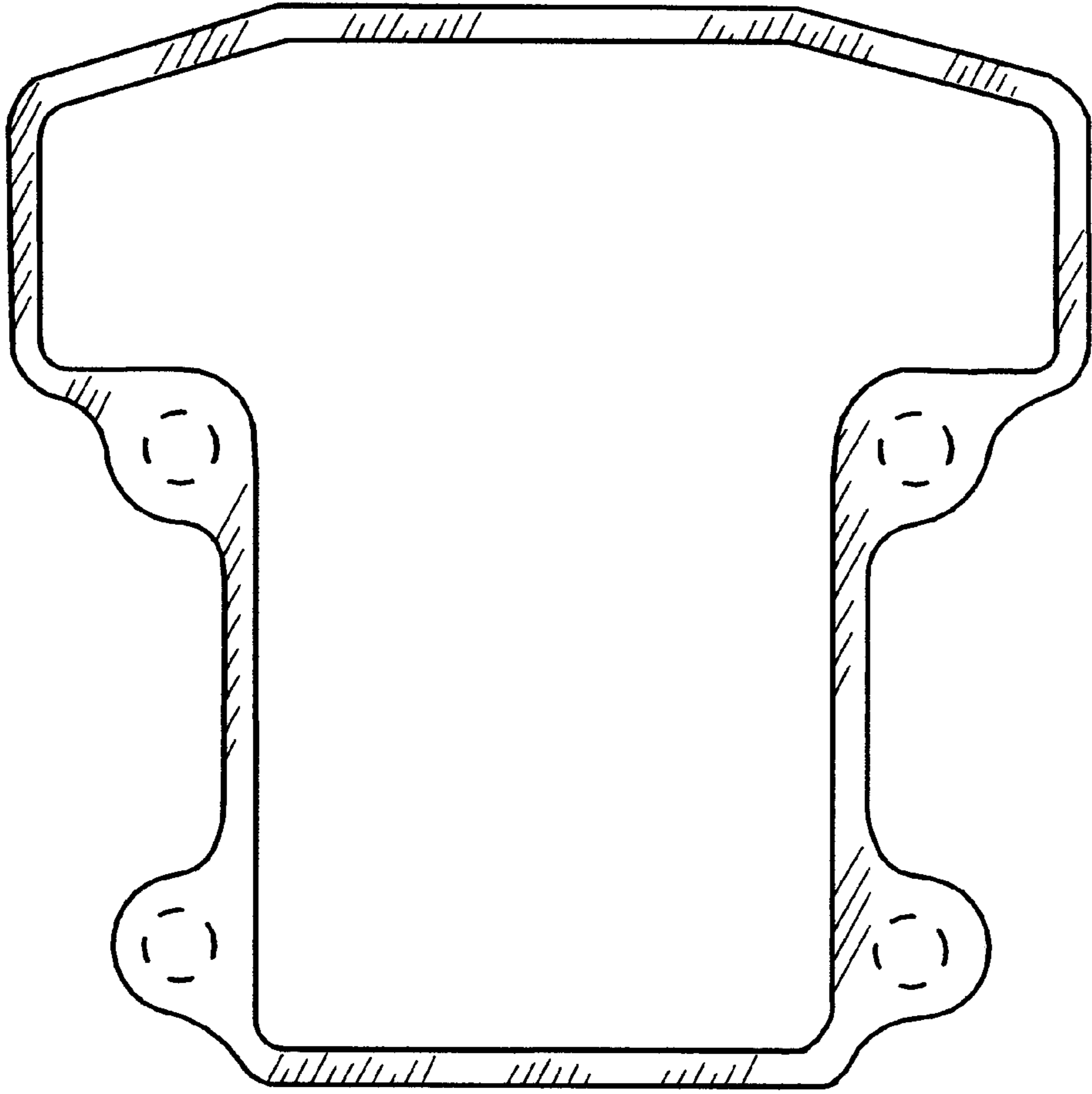


FIG. 2

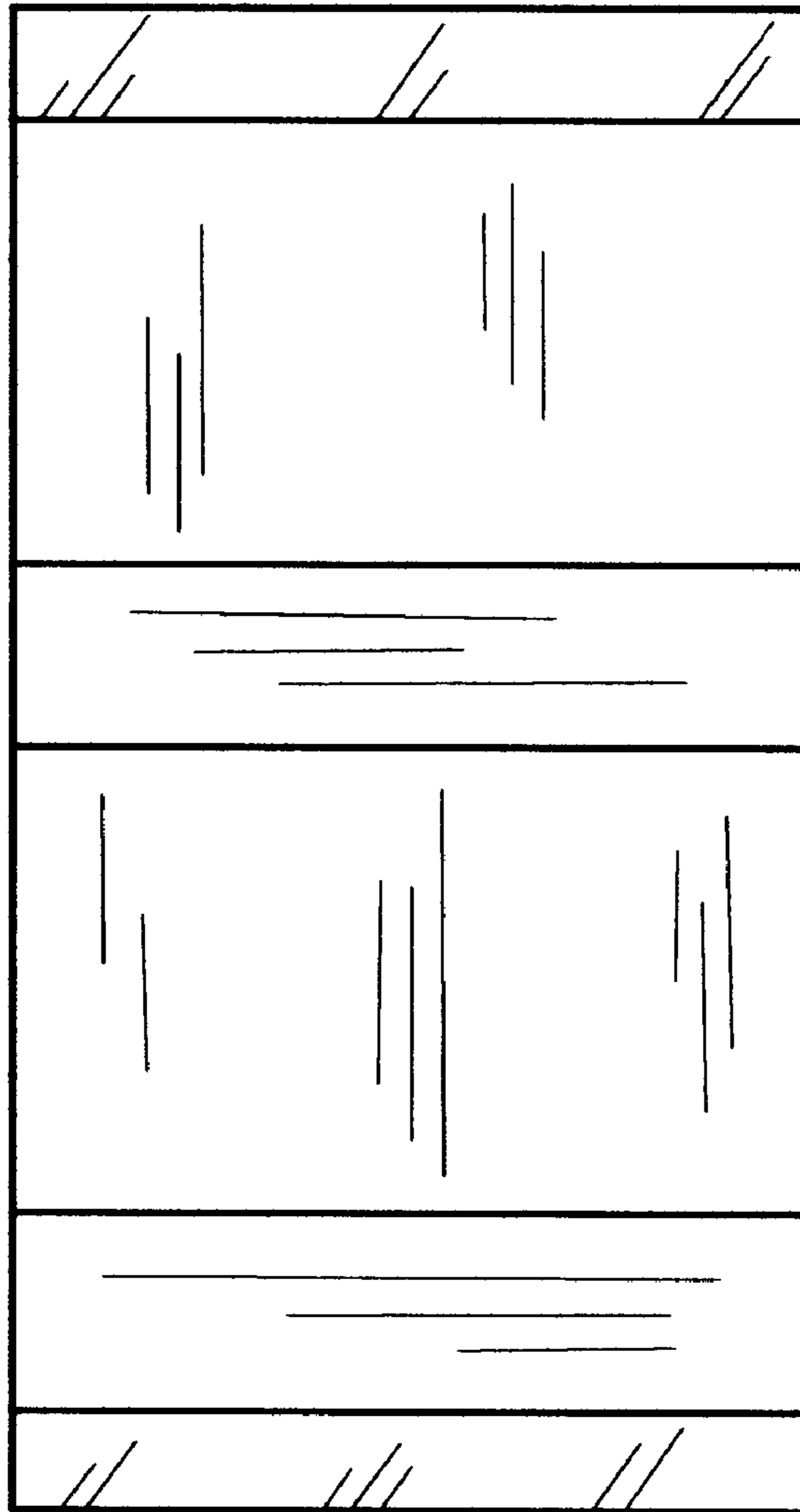


FIG. 3

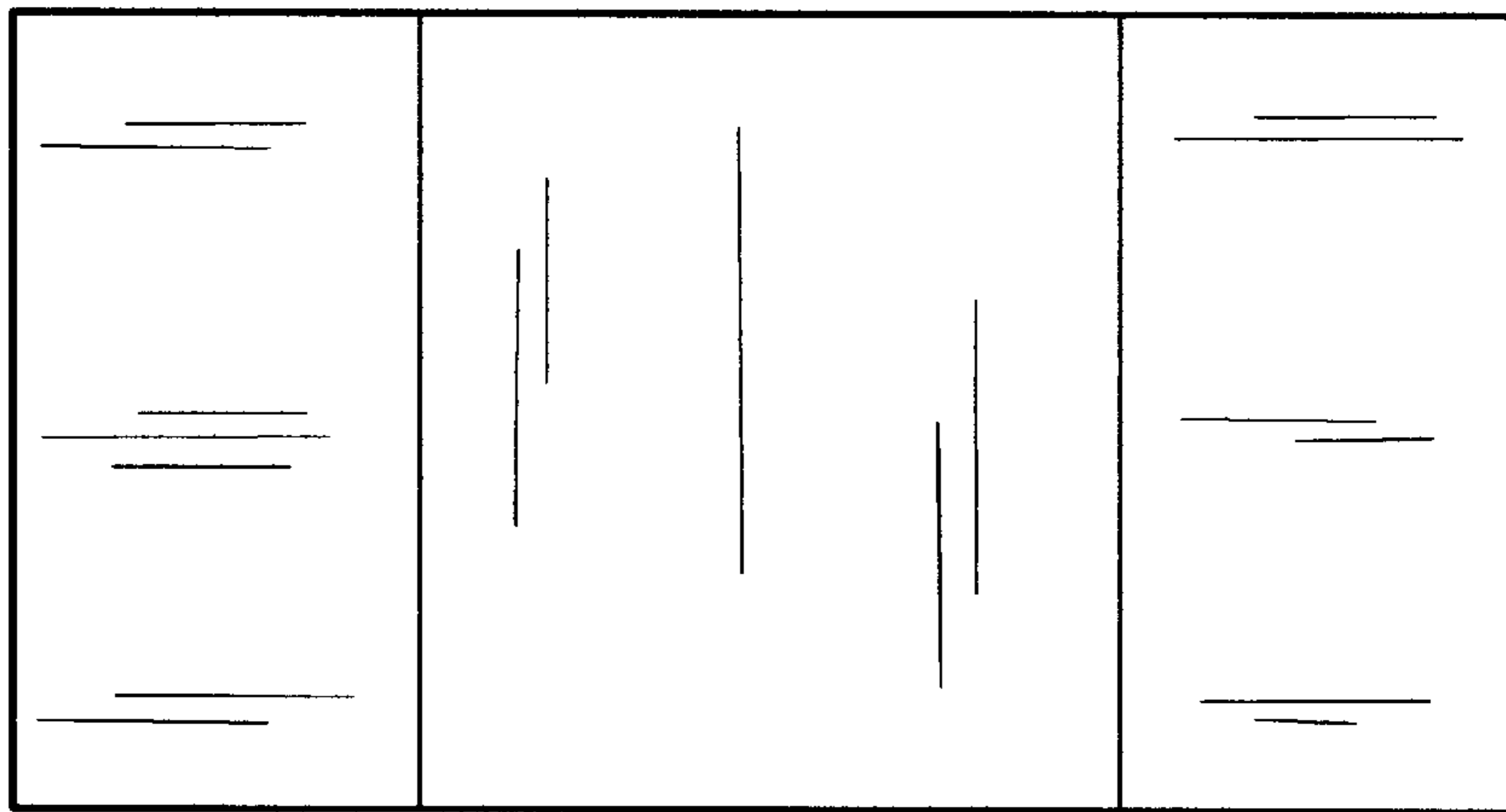


FIG. 4

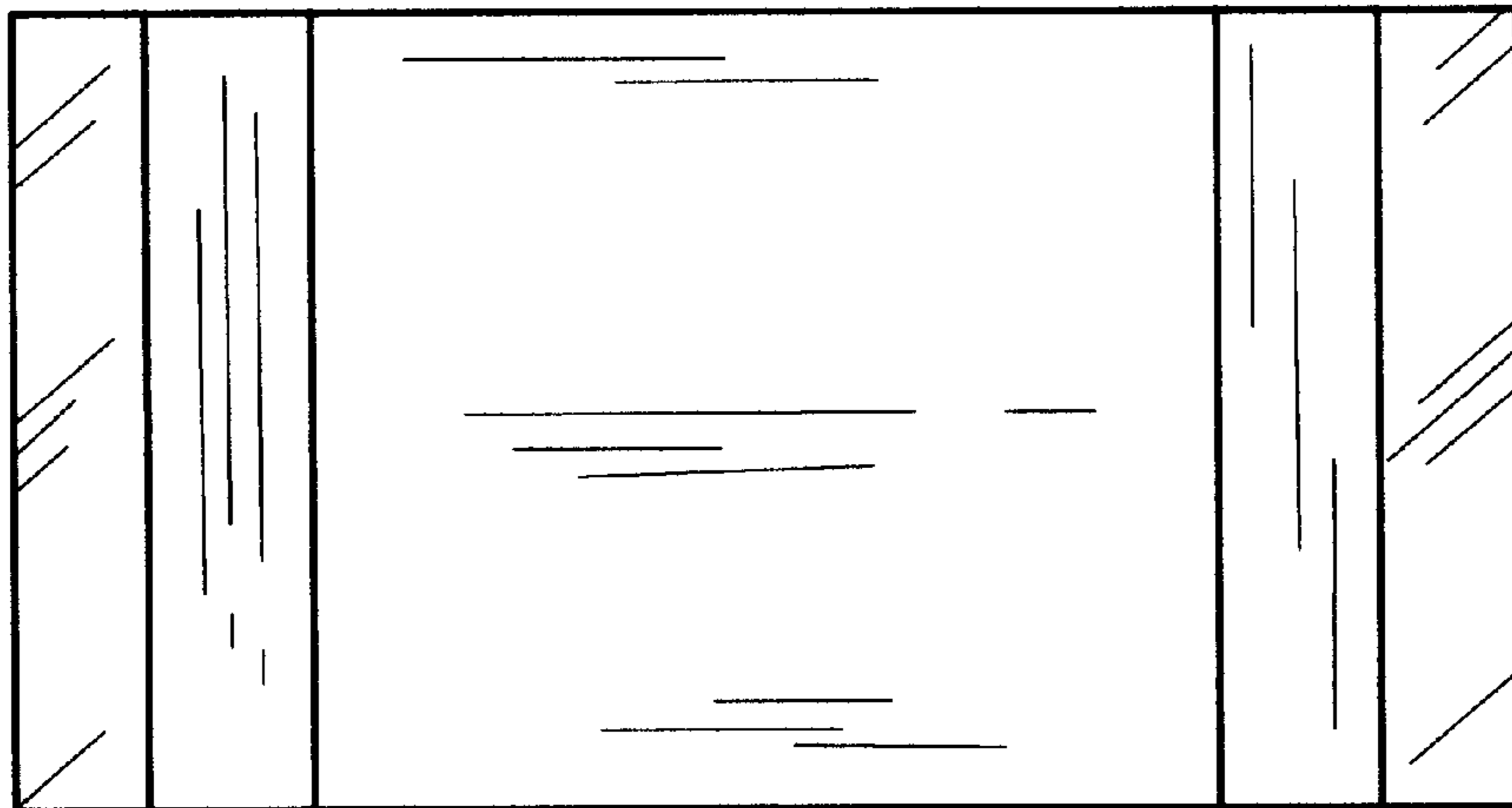


FIG. 5