



US00D478267S

(12) **United States Design Patent**
Chen

(10) **Patent No.:** **US D478,267 S**

(45) **Date of Patent:** **** Aug. 12, 2003**

(54) **GRIP FOR HAND TOOL**

(76) **Inventor:** **Chang-Rong Chen**, No. 342,
Shyue-Ten Rd., Shyue-Ten Village,
Wu-Jih Hsian, Taichung Hsien (TW)

(**) **Term:** **14 Years**

(21) **Appl. No.:** **29/164,470**

(22) **Filed:** **Jul. 26, 2002**

(51) **LOC (7) Cl.** **08-02**

(52) **U.S. Cl.** **D8/80; D8/107**

(58) **Field of Search** **D8/75, 76, 77,**
D8/78, 79, 80, 81, 14; 81/19, 20, 21, 177.1,
488, 489

(56) **References Cited**

U.S. PATENT DOCUMENTS

D275,261 S	*	8/1984	Crowder	D8/75
4,723,582 A	*	2/1988	Caspall	144/358
D324,473 S	*	3/1992	Chen	D8/80
D325,863 S	*	5/1992	Chen	D8/75
D329,796 S	*	9/1992	Olson et al.	D8/80
5,372,053 A	*	12/1994	Lee	81/20
D369,982 S	*	5/1996	Chang	D10/68

D376,089 S	*	12/1996	Allen	D8/80
D403,223 S	*	12/1998	Jacoff	D8/80
D407,000 S	*	3/1999	Jacoff	D8/80
D411,121 S	*	6/1999	Chang	D10/68
D432,381 S	*	10/2000	Khachatoorian	D8/80
D462,885 S	*	9/2002	Hung	D8/80

* cited by examiner

Primary Examiner—Philip S. Hyder

(74) *Attorney, Agent, or Firm*—Bacon & Thomas, PLLC

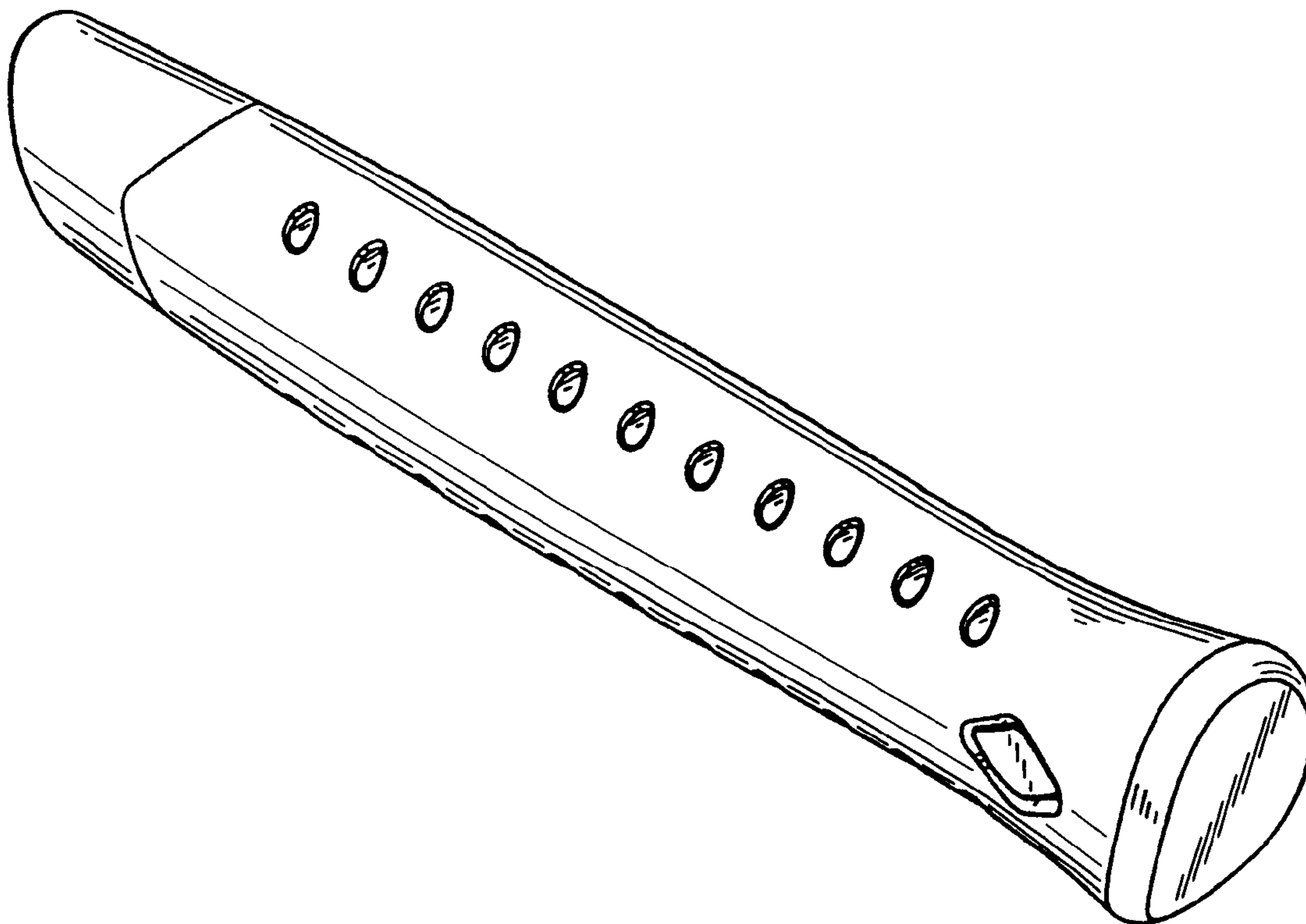
(57) **CLAIM**

The ornamental design for a grip for hand tool, as shown.

DESCRIPTION

FIG. 1 shows a perspective view of the present design.
 FIG. 2 shows a right side elevational view of the present design.
 FIG. 3 shows a top plan view of the present design.
 FIG. 4 shows a front elevational view of the present design.
 FIG. 5 shows a bottom plan view of the present design.
 FIG. 6 shows a left side elevational view of the present design; and,
 FIG. 7 shows a rear elevational view of the present design.

1 Claim, 3 Drawing Sheets



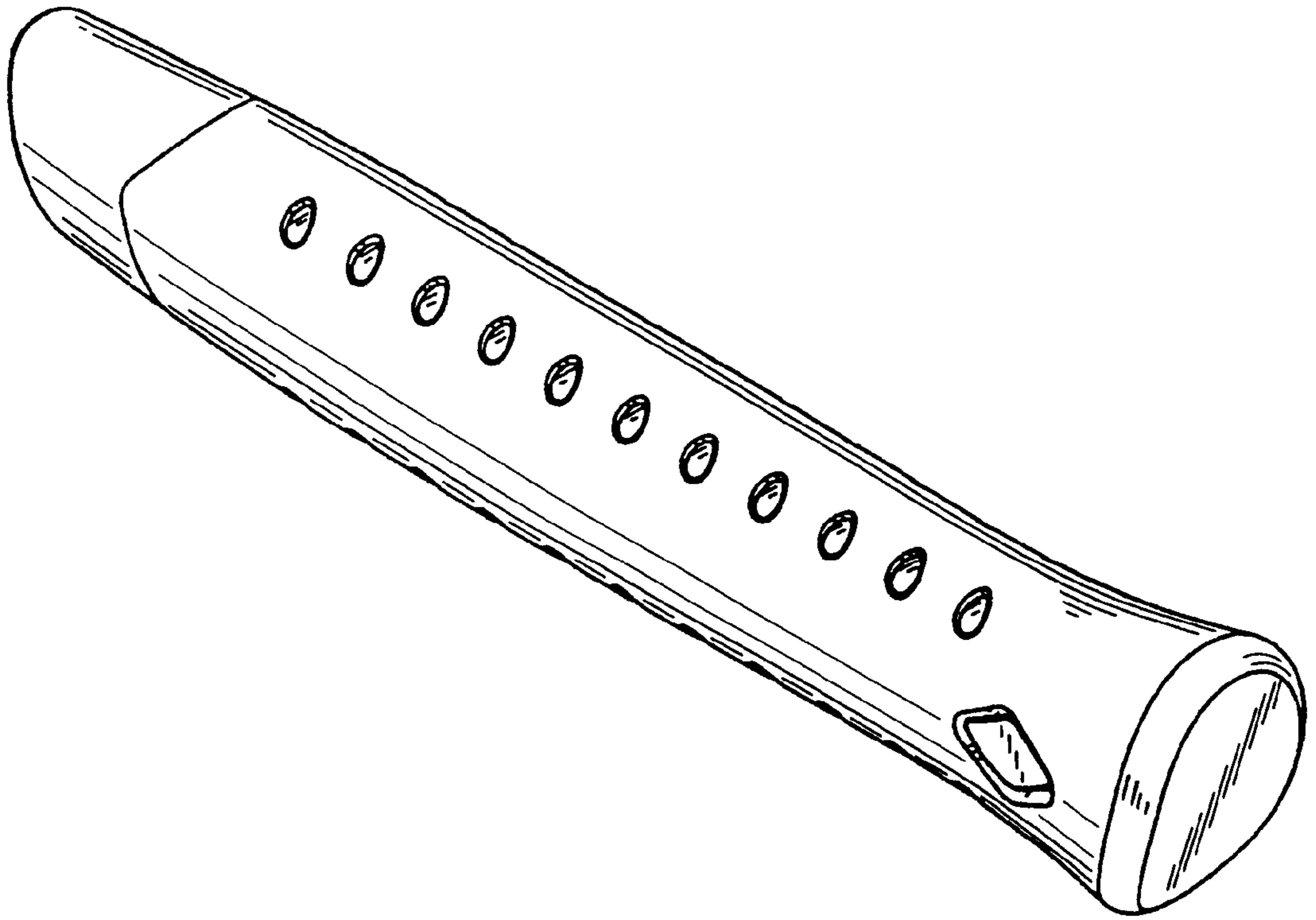


FIG 1

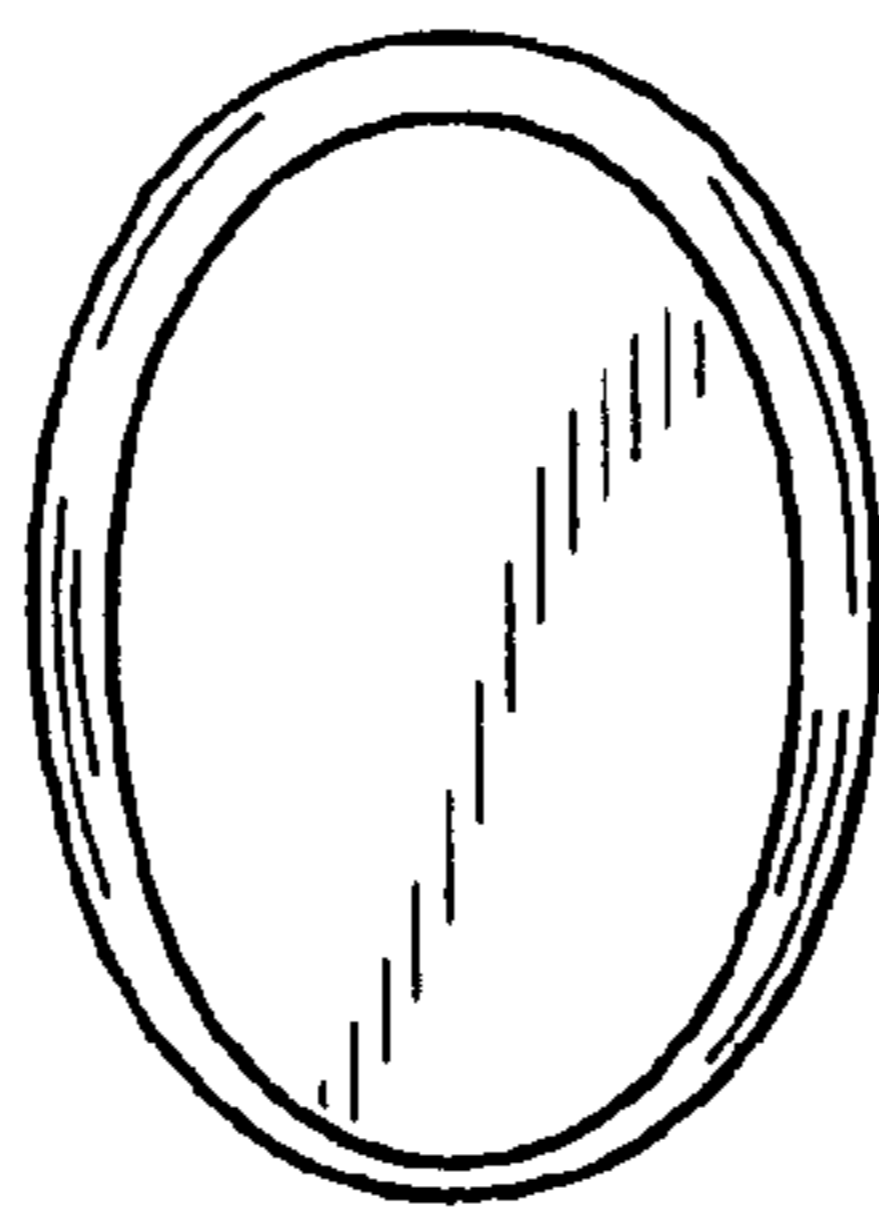


FIG. 2

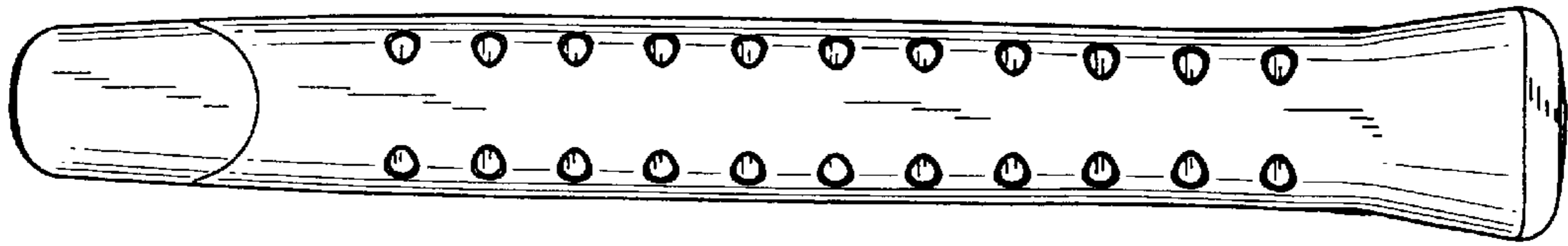


FIG 3

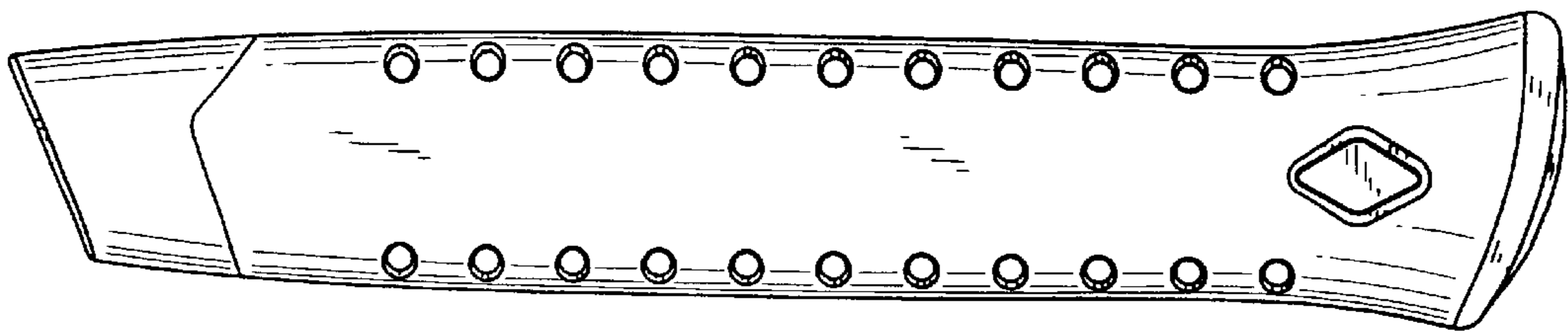


FIG 4

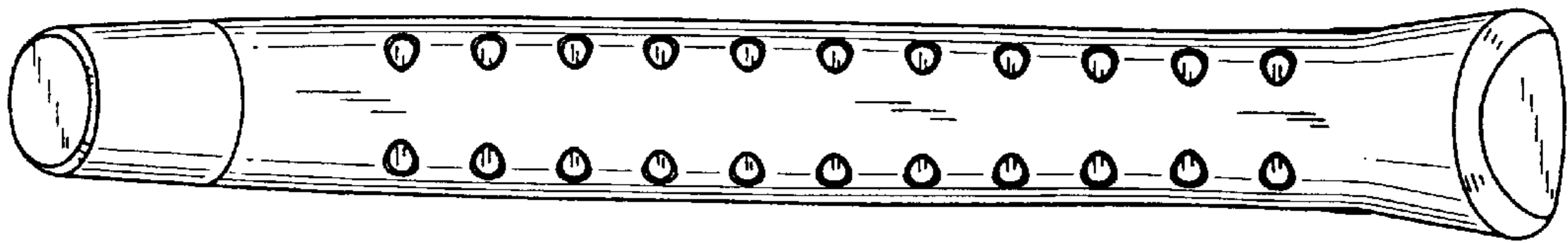


FIG 5

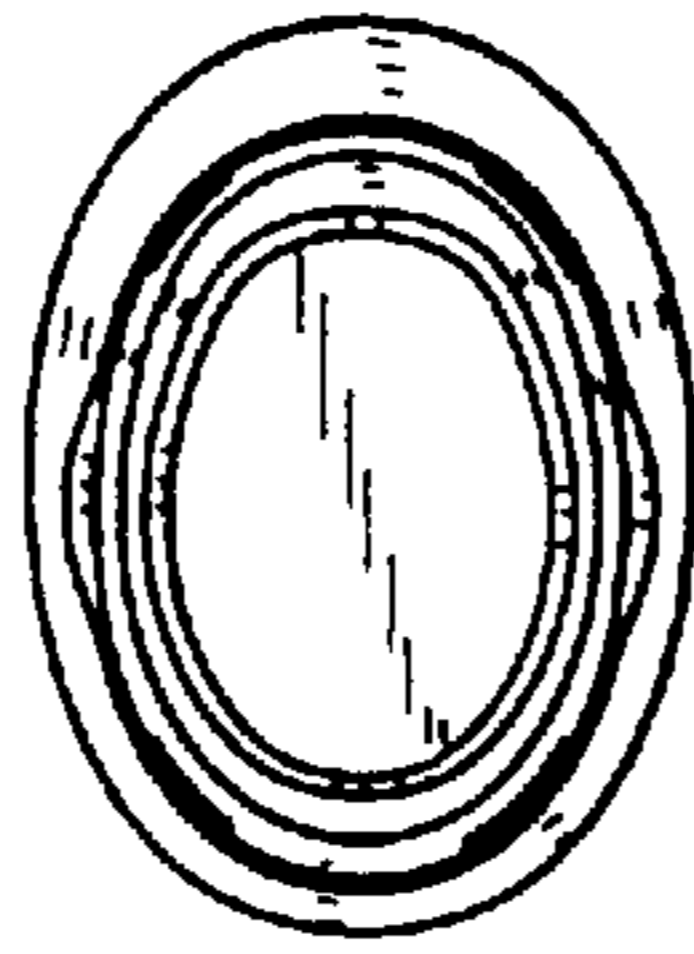


FIG 6

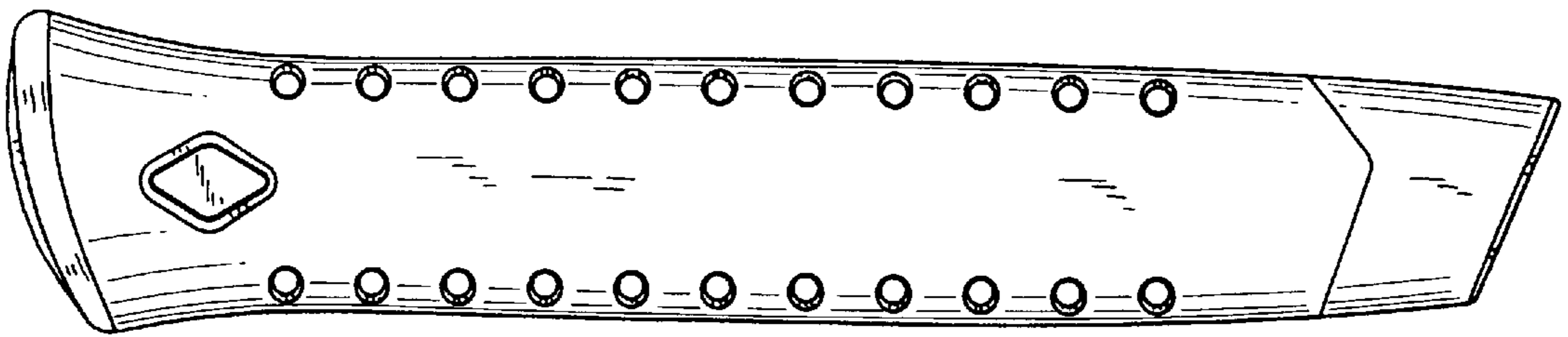


FIG 7