



US00D478266S

(12) **United States Design Patent**
Chen

(10) **Patent No.:** **US D478,266 S**

(45) **Date of Patent:** **** Aug. 12, 2003**

(54) **HAMMER**

(76) Inventor: **Sherry Chen**, No. 52, Pien Hsing Lane,
Shiuetian Rd., Wur Shiang, Taichung
(TW)

(**) Term: **14 Years**

(21) Appl. No.: **29/171,420**

(22) Filed: **Nov. 22, 2002**

(51) **LOC (7) Cl.** **08-02**

(52) **U.S. Cl.** **D8/78**

(58) **Field of Search** D8/75, 76, 77,
D8/78, 79, 80, 81; 81/20, 21, 22, 23, 24,
25; 254/19

(56) **References Cited**

U.S. PATENT DOCUMENTS

D322,021 S	*	12/1991	Hsu	D8/75
D325,863 S	*	5/1992	Chen	D8/75
D353,758 S	*	12/1994	Frykman	D8/78
5,802,933 A	*	9/1998	Hebert et al.	81/20
D431,987 S	*	10/2000	Staton	D8/75

D432,380 S * 10/2000 Goble et al. D8/78

D438,082 S * 2/2001 Stegner et al. D8/78

D449,770 S * 10/2001 Chen D8/75

D452,126 S * 12/2001 Hung D8/75

D455,626 S * 4/2002 Chen D8/78

* cited by examiner

Primary Examiner—Philip S. Hyder

(74) *Attorney, Agent, or Firm*—Bacon & Thomas, PLLC

(57) **CLAIM**

The ornamental design for a hammer, as shown.

DESCRIPTION

FIG. 1 shows a perspective view of the present design.

FIG. 2 shows a right side elevational view of the present design.

FIG. 3 shows a top plan view of the present design.

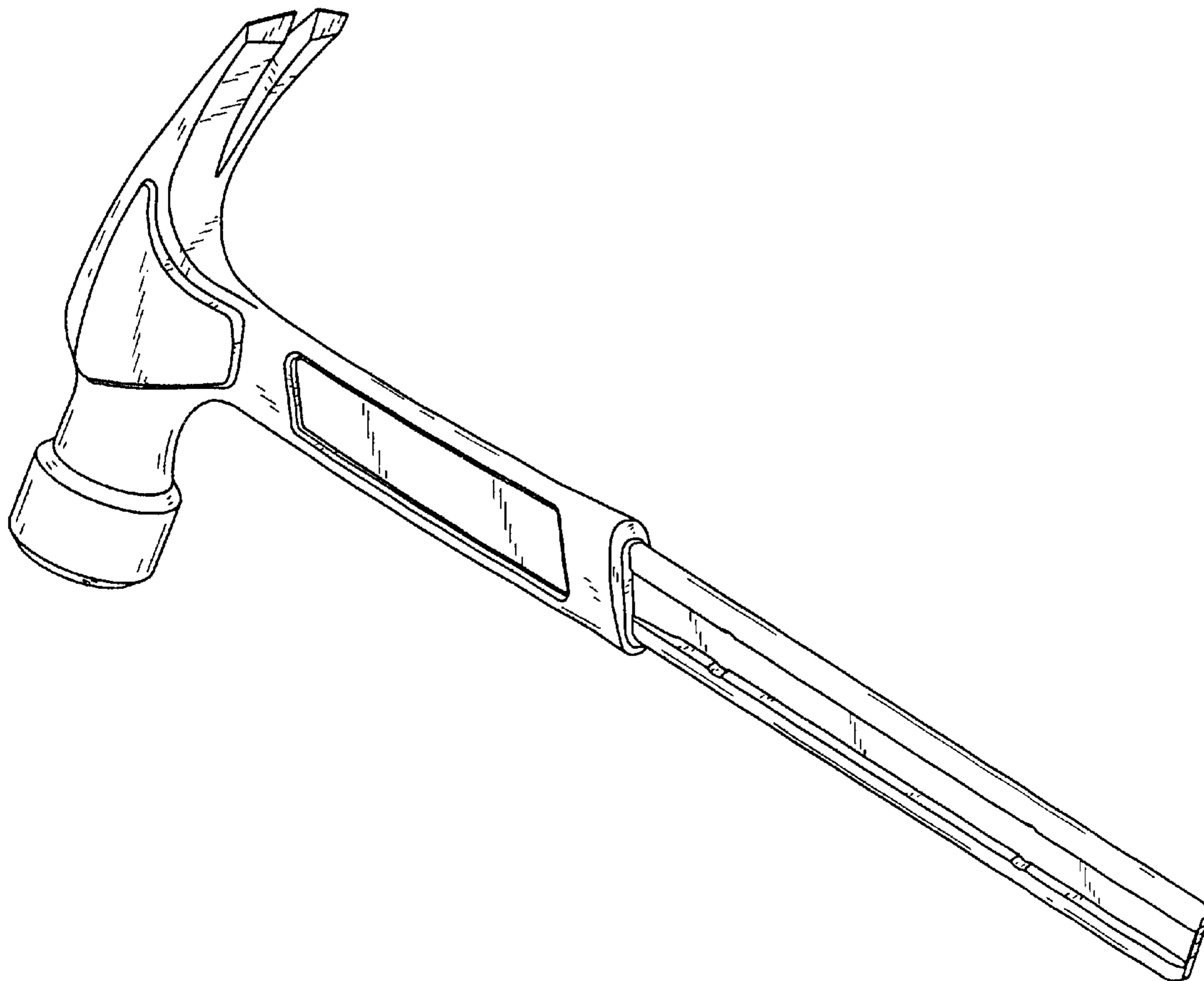
FIG. 4 shows a front elevational view of the present design.

FIG. 5 shows a bottom plan view of the present design.

FIG. 6 shows a left side elevational view of the present design; and,

FIG. 7 shows a rear elevational view of the present design.

1 Claim, 3 Drawing Sheets



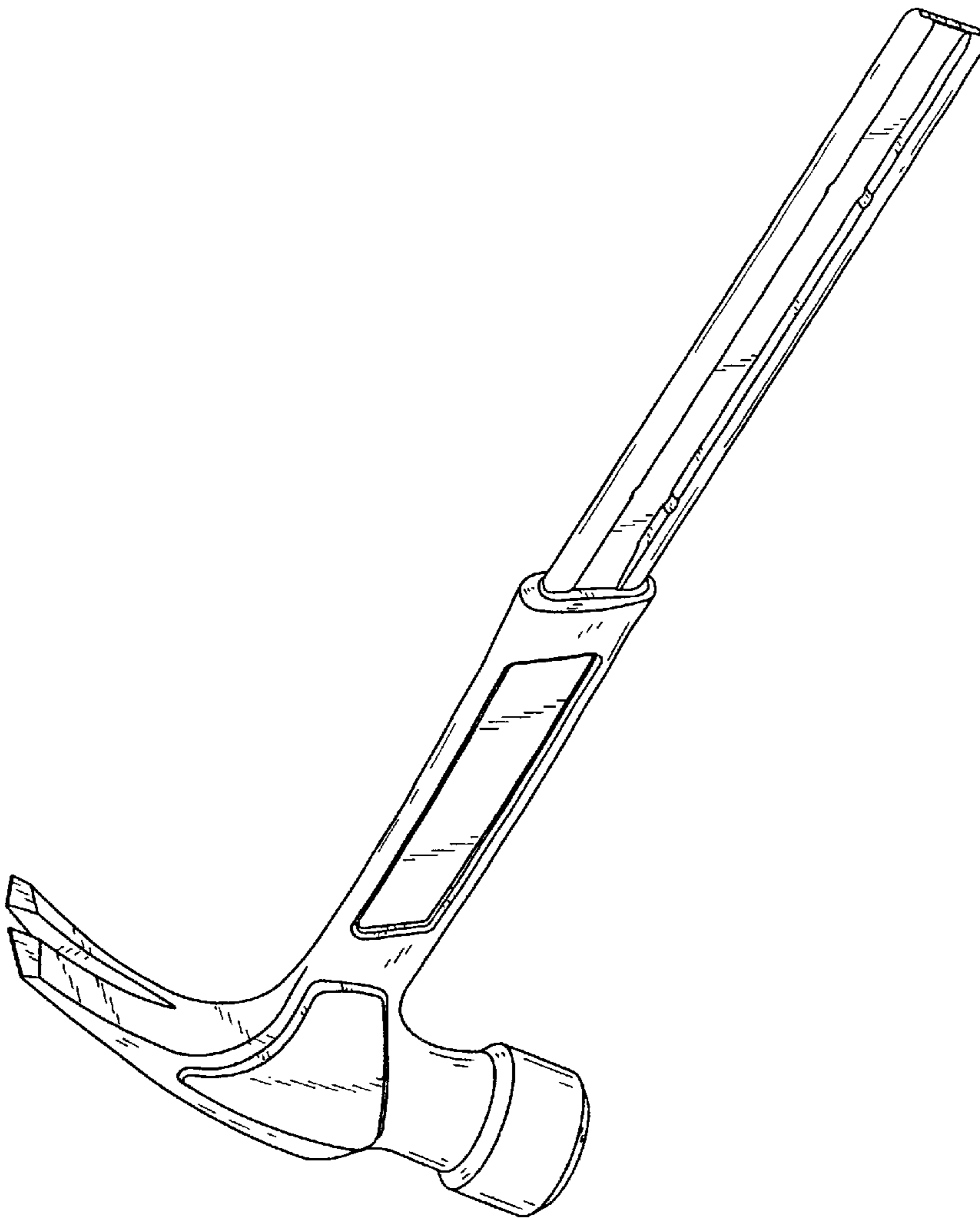


FIG. 1

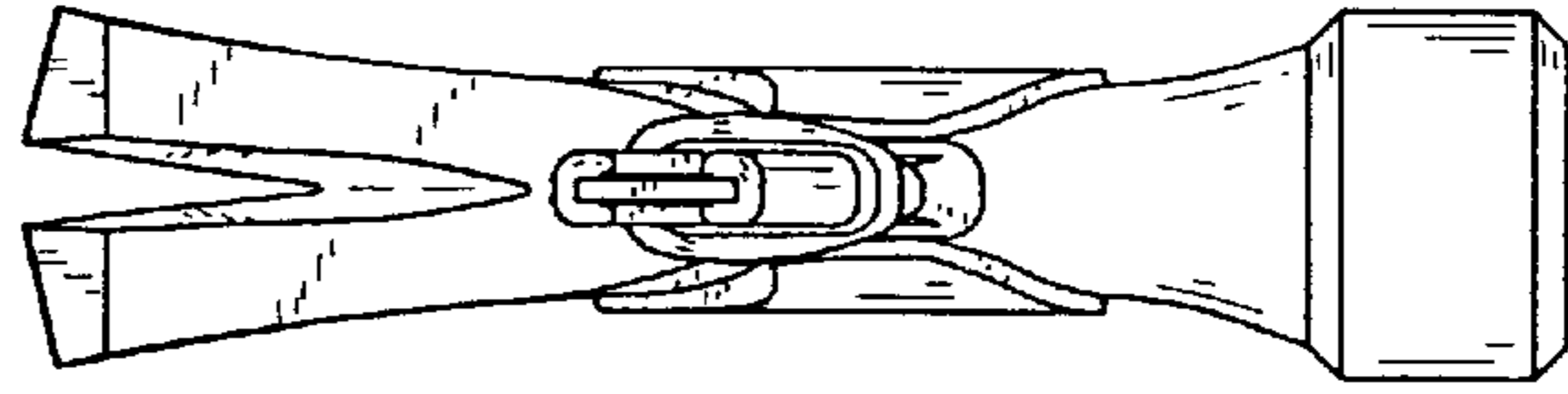


FIG. 2

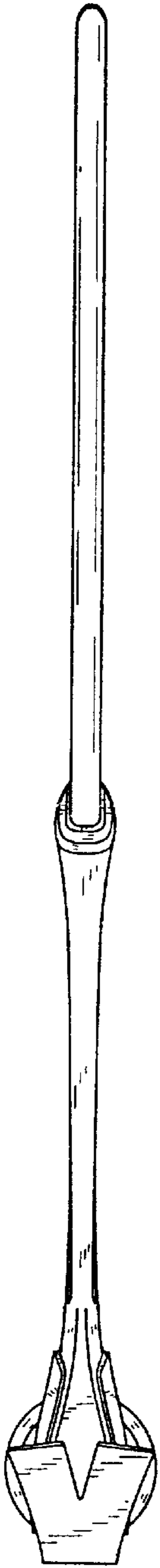


FIG. 3

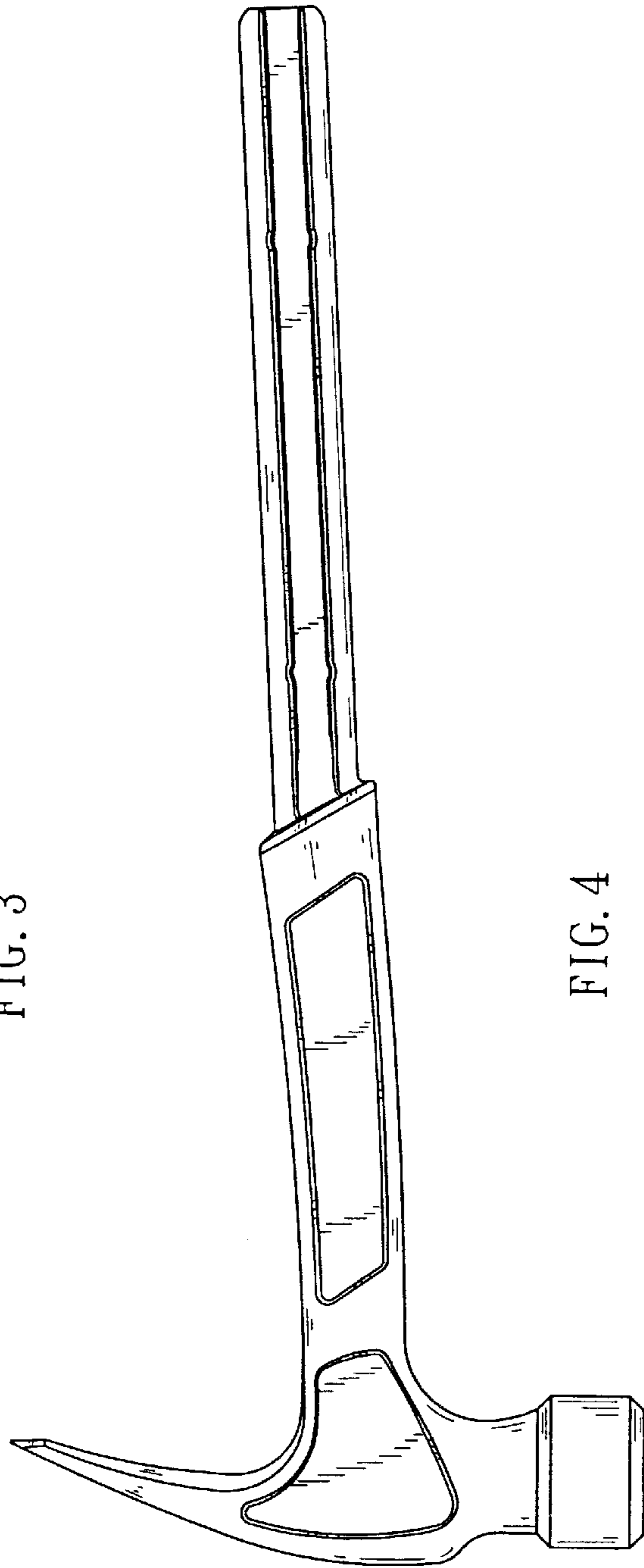


FIG. 4

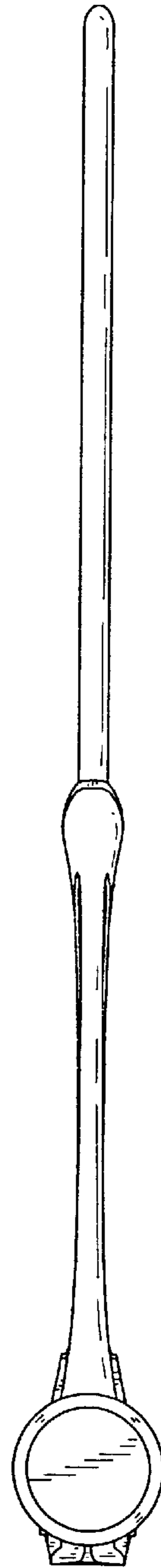


FIG. 5

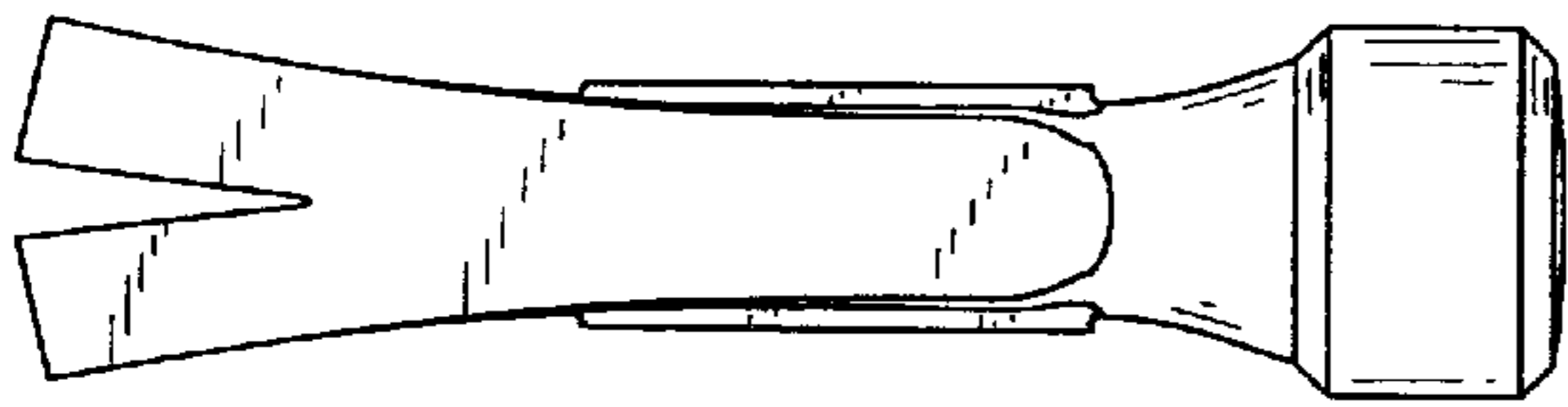


FIG. 6

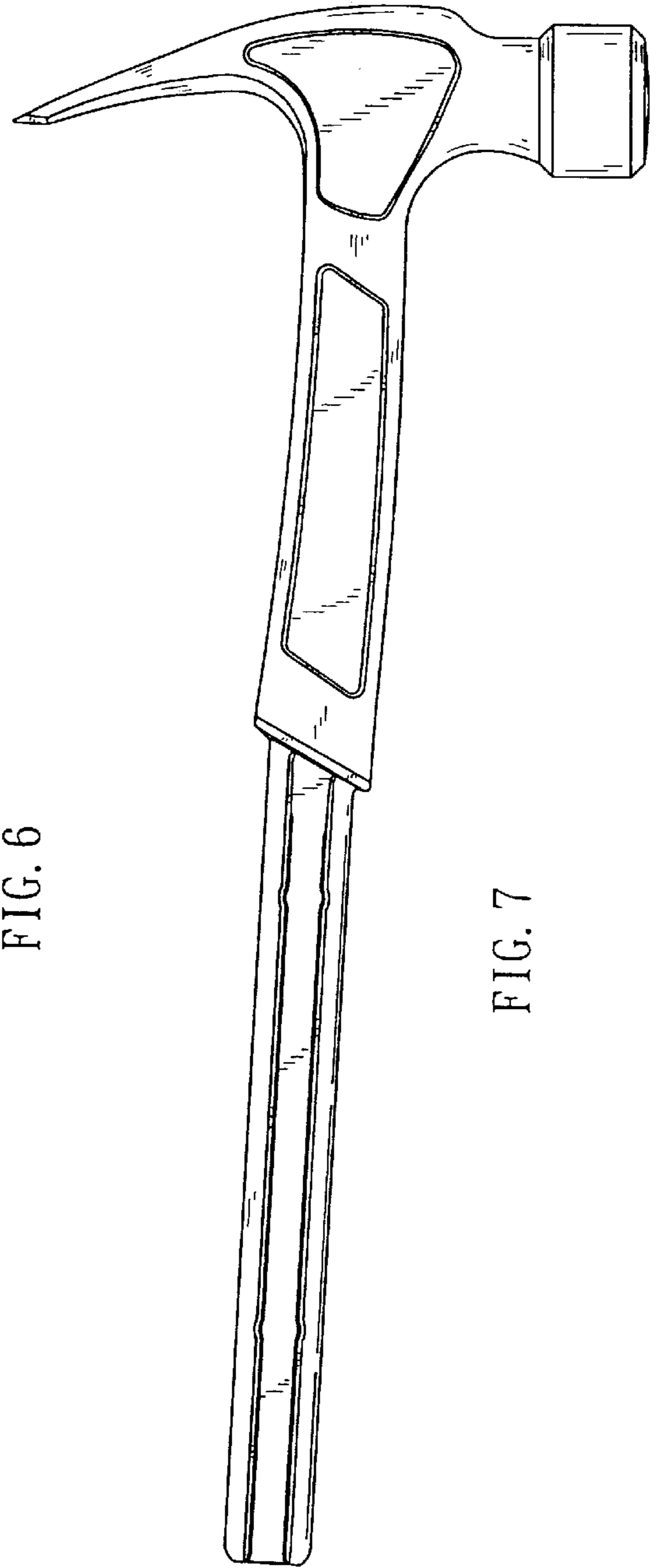


FIG. 7