



US00D478263S

(12) **United States Design Patent**
Welsh

(10) **Patent No.:** **US D478,263 S**

(45) **Date of Patent:** **** Aug. 12, 2003**

(54) **BIT HOLDER**

(75) **Inventor:** **Robert Welsh**, Hunt Valley, MD (US)

(73) **Assignee:** **Black & Decker Inc.**, Newark, DE (US)

(**) **Term:** **14 Years**

(21) **Appl. No.:** **29/162,333**

(22) **Filed:** **Jun. 13, 2002**

(51) **LOC (7) Cl.** **08-05**

(52) **U.S. Cl.** **D8/70; D15/140**

(58) **Field of Search** D8/70, 85, 86;
D15/139, 140; 81/177.85, 436, 441, 901;
279/62, 143, 144, 145, 900, 902; 299/87.1,
106, 107, 109; 408/143, 144, 153, 223,
239 A

D353,315 S	*	12/1994	Romeo	D8/86
5,398,946 A		3/1995	Quiring	
D379,578 S	*	6/1997	Daniels	D8/70
5,709,393 A		1/1998	von Keudell et al.	
D415,180 S		10/1999	Rosanwo	
D426,840 S		6/2000	Sakamaki	
D429,262 S		8/2000	Streich	
6,176,654 B1		1/2001	Jore	
6,179,302 B1		1/2001	Gauthier et al.	
6,199,872 B1		3/2001	Hasan	
6,261,035 B1		7/2001	Moores, Jr. et al.	
6,270,085 B1		8/2001	Chen et al.	
6,302,408 B1		10/2001	Zierpka	
6,311,989 B1		11/2001	Rosanwo	
6,364,318 B1		4/2002	Bedi et al.	

* cited by examiner

Primary Examiner—Doris V. Coles
Assistant Examiner—T. Chase Nelson
(74) *Attorney, Agent, or Firm*—Harness, Dickey & Pierce, P.L.C.

(56) **References Cited**

U.S. PATENT DOCUMENTS

3,123,370 A	3/1964	Unander	
D257,481 S	* 11/1980	Mazliach	D15/140
D278,344 S	* 4/1985	Smith	D15/140
D283,783 S	* 5/1986	Park	D8/86
4,629,375 A	12/1986	Lieser	
4,692,073 A	9/1987	Martindell	
4,701,083 A	10/1987	Deutschenbaur et al.	
4,786,221 A	11/1988	March	
4,858,939 A	8/1989	Riggs	
5,033,920 A	7/1991	Cantanese	
5,188,378 A	2/1993	Erlenkeuser	

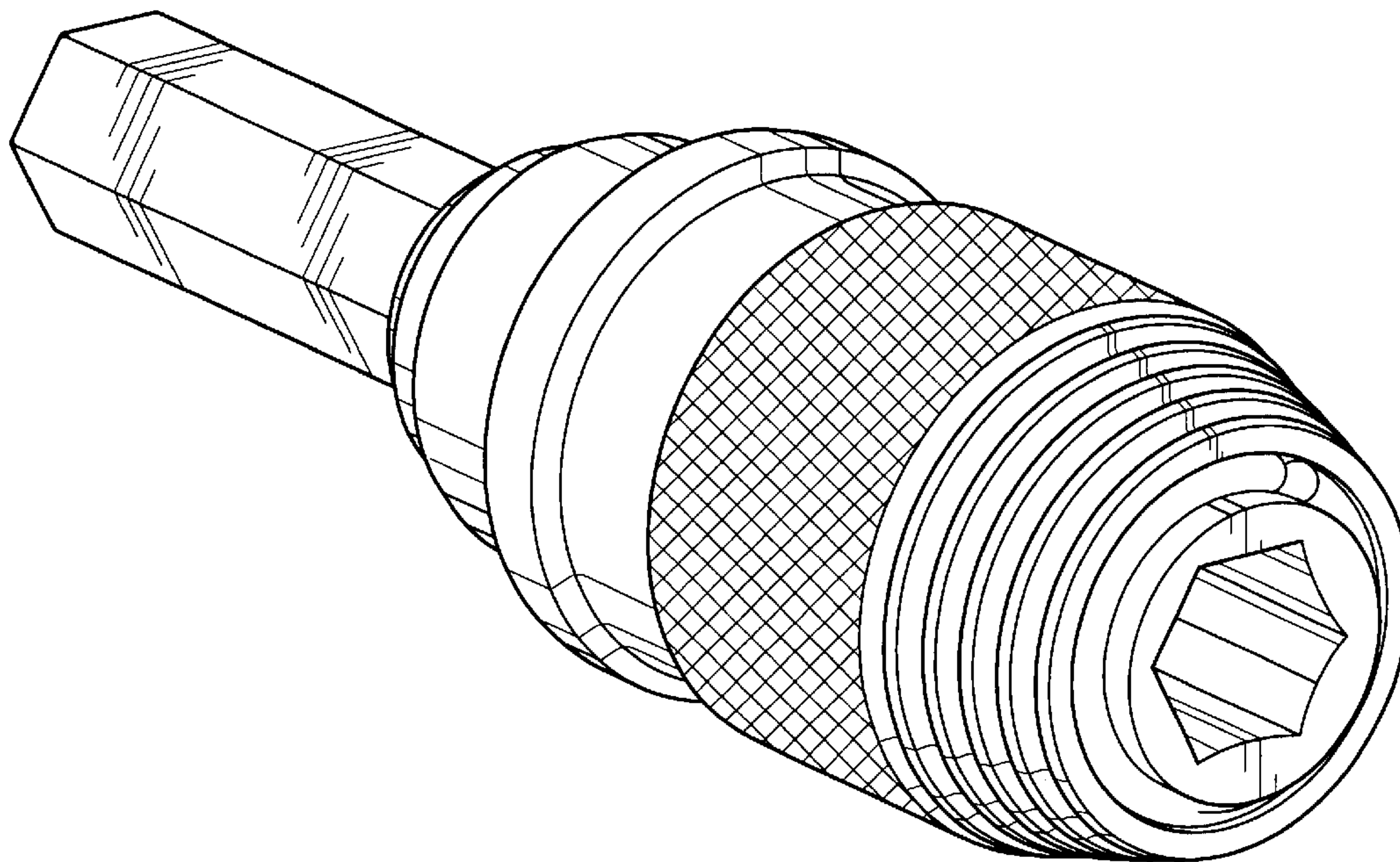
(57) **CLAIM**

The ornamental design for a bit holder, as shown and described.

DESCRIPTION

FIG. 1 is a front perspective view of a bit holder;
FIG. 2 is a front view thereof;
FIG. 3 is a side view thereof (the right and left sides being identical); and,
FIG. 4 is a rear view thereof.

1 Claim, 2 Drawing Sheets



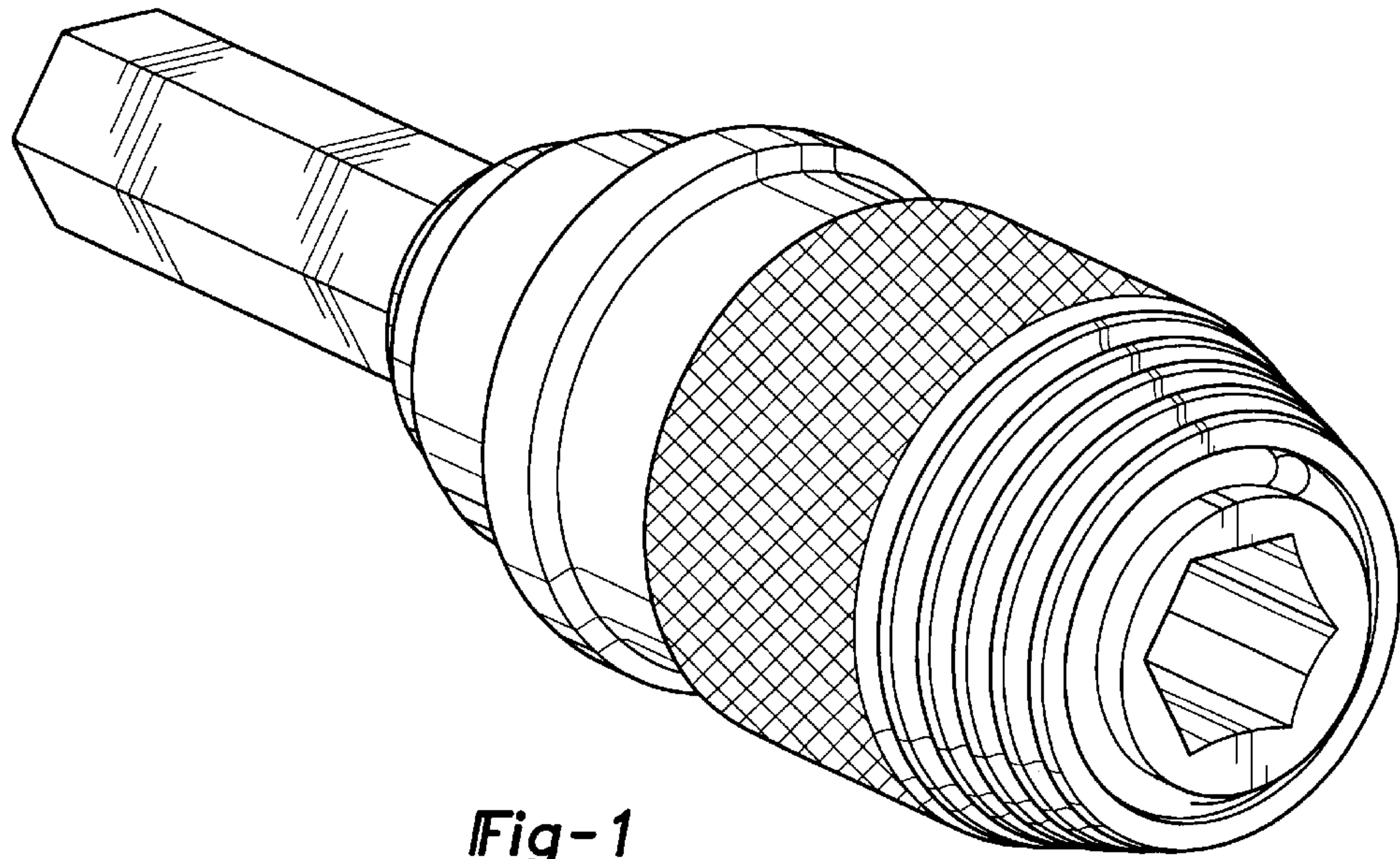


Fig-1

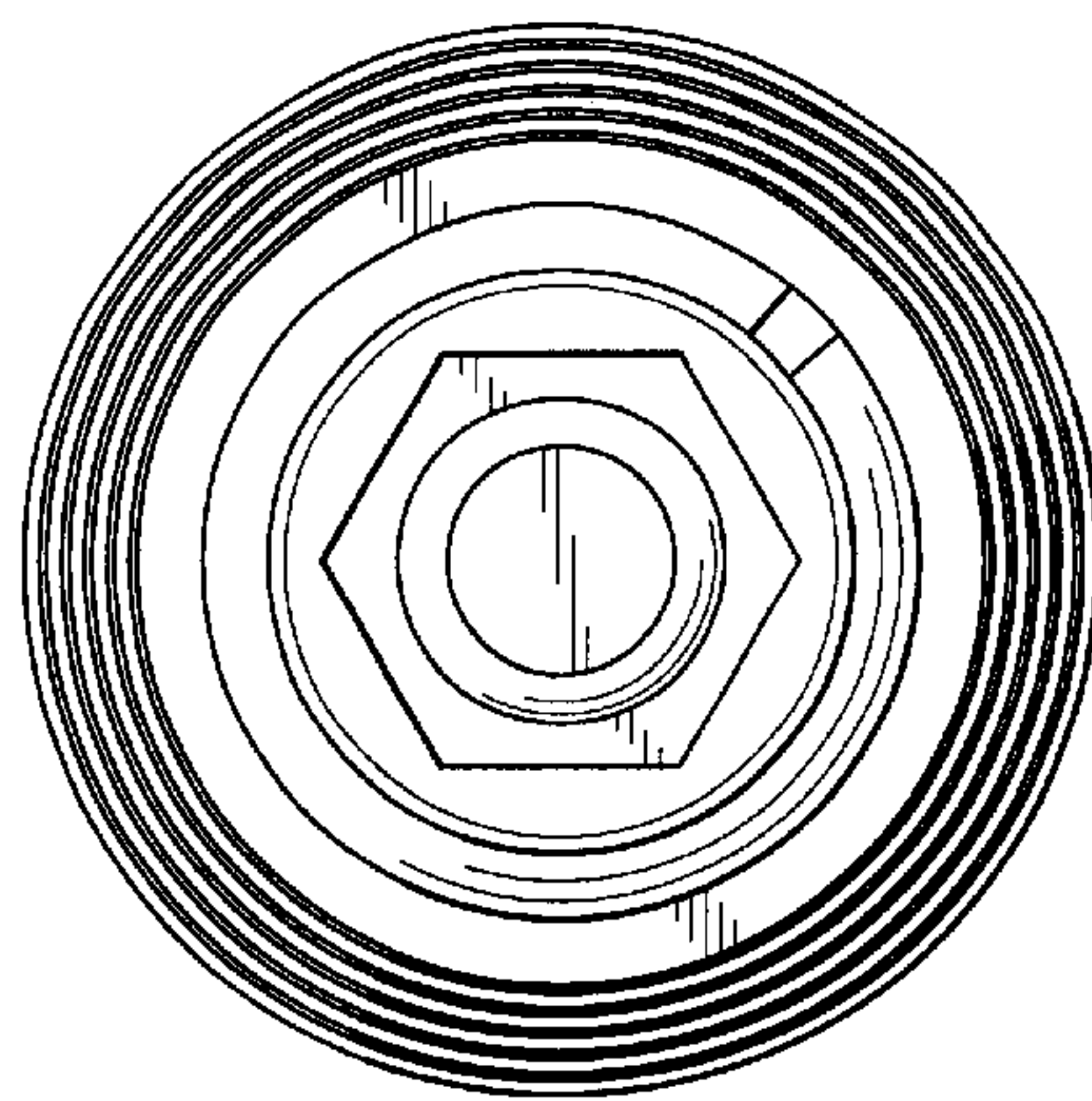


Fig-2

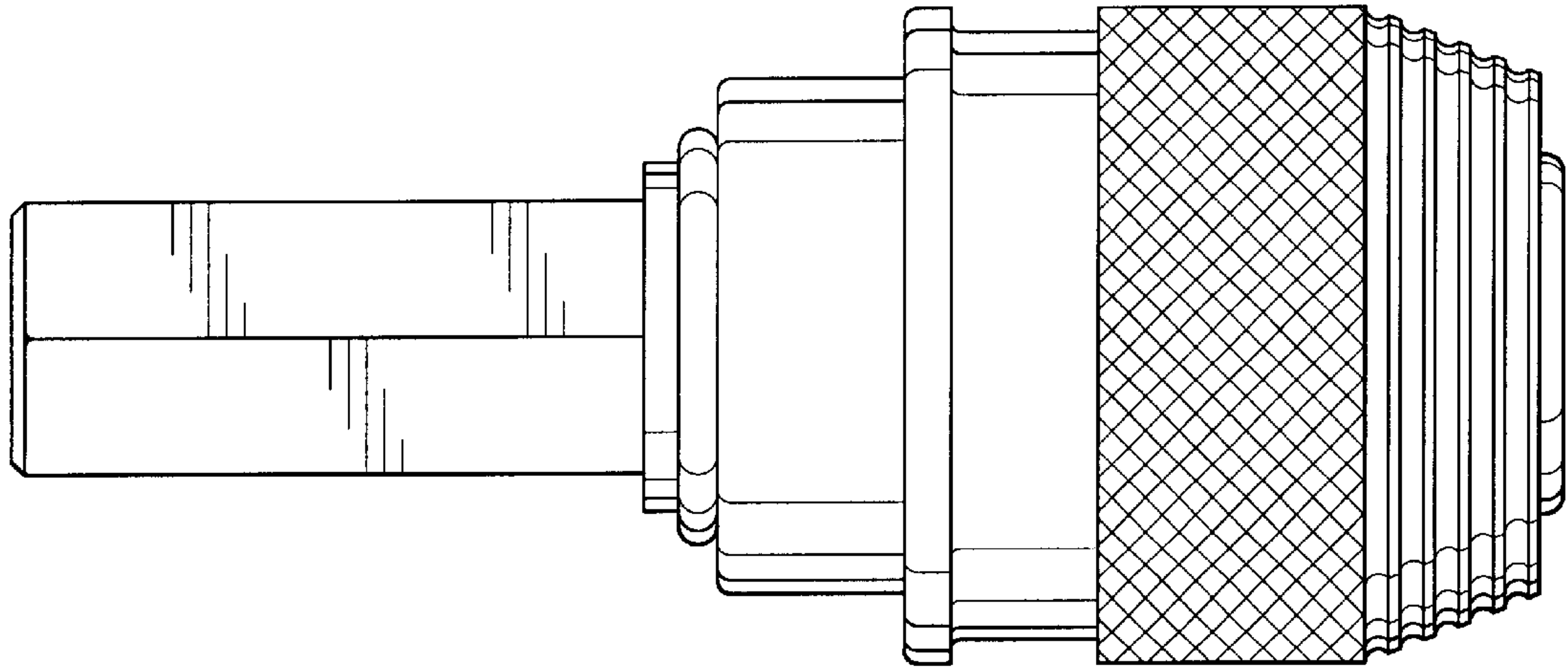


Fig-3

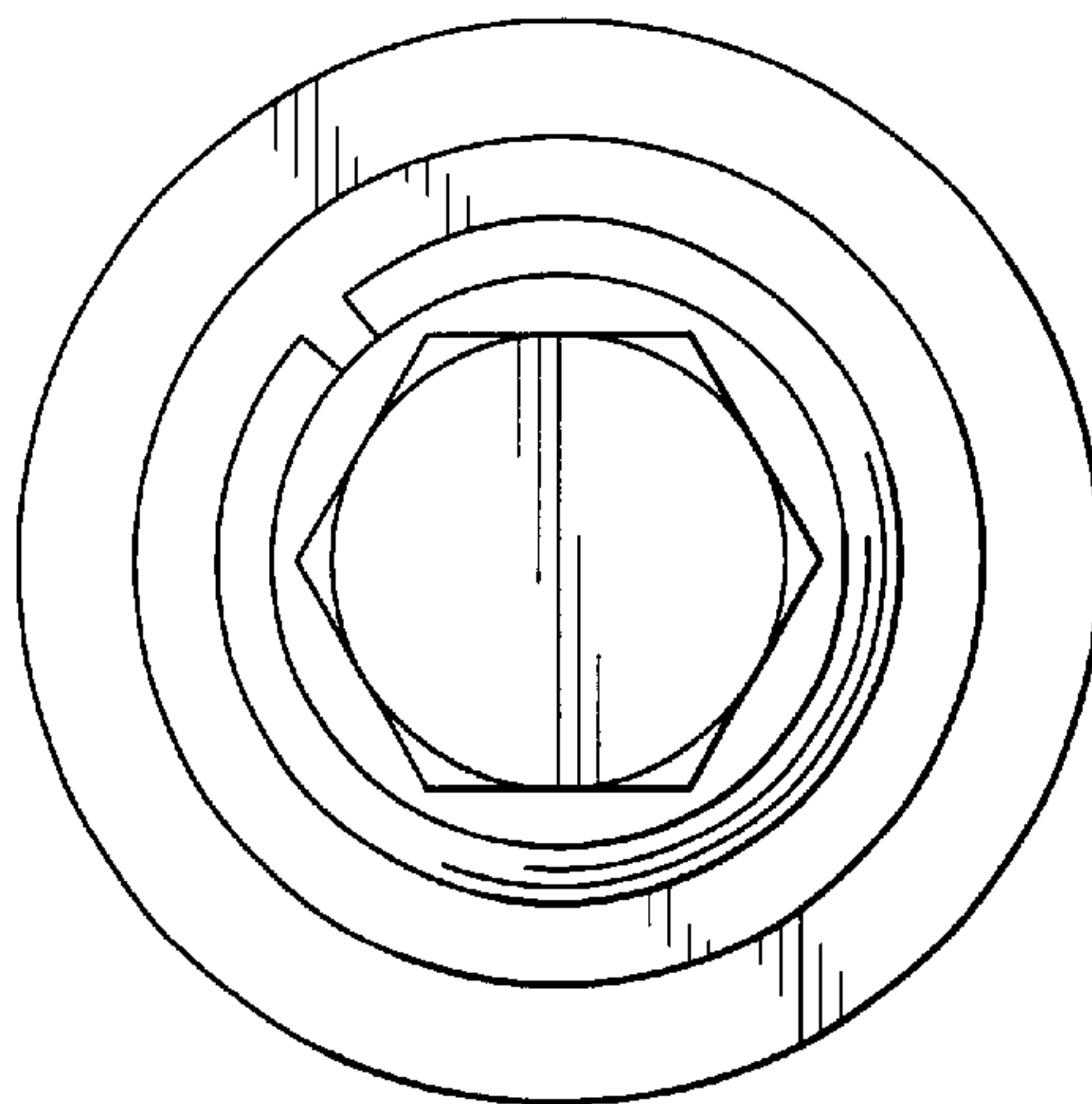


Fig-4