



US00D478262S

(12) **United States Design Patent**  
**Chunn et al.**

(10) **Patent No.:** **US D478,262 S**

(45) **Date of Patent:** **\*\* Aug. 12, 2003**

(54) **ELECTRIC DRIVER DRILL**

(75) Inventors: **Daniel Alex Chunn**, Kowloon (HK);  
**Godfrey Ka Wai Chung**, Chung UK  
Tsuen (HK)

(73) Assignee: **One World Technologies Limited**  
(BM)

(\*\*) Term: **14 Years**

(21) Appl. No.: **29/151,660**

(22) Filed: **Dec. 5, 2001**

(51) **LOC (7) Cl.** ..... **08-01**

(52) **U.S. Cl.** ..... **D8/68**

(58) **Field of Search** ..... D8/61, 62, 63,  
D8/64, 65, 66, 67, 68, 69, 70; 81/57.11,  
429, 464, 465, 466, 469, 489; 173/13, 169,  
178, 213, 217; 227/8, 114, 120, 130, 136,  
142; 310/50; 408/20, 124, 125, 234, 241 R;  
451/358

(56) **References Cited**

**U.S. PATENT DOCUMENTS**

|           |   |   |         |                 |       |         |   |
|-----------|---|---|---------|-----------------|-------|---------|---|
| 4,820,090 | A | * | 4/1989  | Chen            | ..... | 408/241 | R |
| 5,049,012 | A |   | 9/1991  | Cavedo          |       |         |   |
| D326,598  | S |   | 6/1992  | Sakamoto et al. |       |         |   |
| D337,712  | S |   | 7/1993  | Cavedo          |       |         |   |
| D378,268  | S | * | 3/1997  | Schultz         | ..... | D8/68   |   |
| 5,640,741 | A |   | 6/1997  | Yano            |       |         |   |
| D386,662  | S | * | 11/1997 | Tozawa et al.   | ..... | D8/68   |   |
| D396,177  | S | * | 7/1998  | Schultz         | ..... | D8/68   |   |
| D406,742  | S |   | 3/1999  | Schoen et al.   |       |         |   |
| D420,877  | S | * | 2/2000  | Schultz         | ..... | D8/68   |   |
| D420,879  | S |   | 2/2000  | Watson et al.   |       |         |   |

|           |    |   |         |                 |       |        |  |
|-----------|----|---|---------|-----------------|-------|--------|--|
| D421,883  | S  | * | 3/2000  | Watson et al.   | ..... | D8/68  |  |
| D426,760  | S  |   | 6/2000  | Schultz         |       |        |  |
| D431,766  | S  |   | 10/2000 | Zurwelle        |       |        |  |
| D435,414  | S  |   | 12/2000 | Etter et al.    |       |        |  |
| D436,511  | S  |   | 1/2001  | Hayakawa et al. |       |        |  |
| D437,759  | S  | * | 2/2001  | Breit et al.    | ..... | D8/68  |  |
| 6,186,709 | B1 |   | 2/2001  | Hsu             |       |        |  |
| D447,032  | S  |   | 8/2001  | Schoen et al.   |       |        |  |
| 6,308,378 | B1 | * | 10/2001 | Mooty et al.    | ..... | 310/50 |  |
| D460,673  | S  | * | 7/2002  | Heun            | ..... | D8/68  |  |
| D460,674  | S  | * | 7/2002  | Heun            | ..... | D8/68  |  |

**OTHER PUBLICATIONS**

Drills with handles, p. 22, DeWalt tool catalogue, c. 1998.\*

\* cited by examiner

*Primary Examiner*—Doris V. Coles

*Assistant Examiner*—T. Chase Nelson

(74) *Attorney, Agent, or Firm*—Brooks & Kushman P.C.

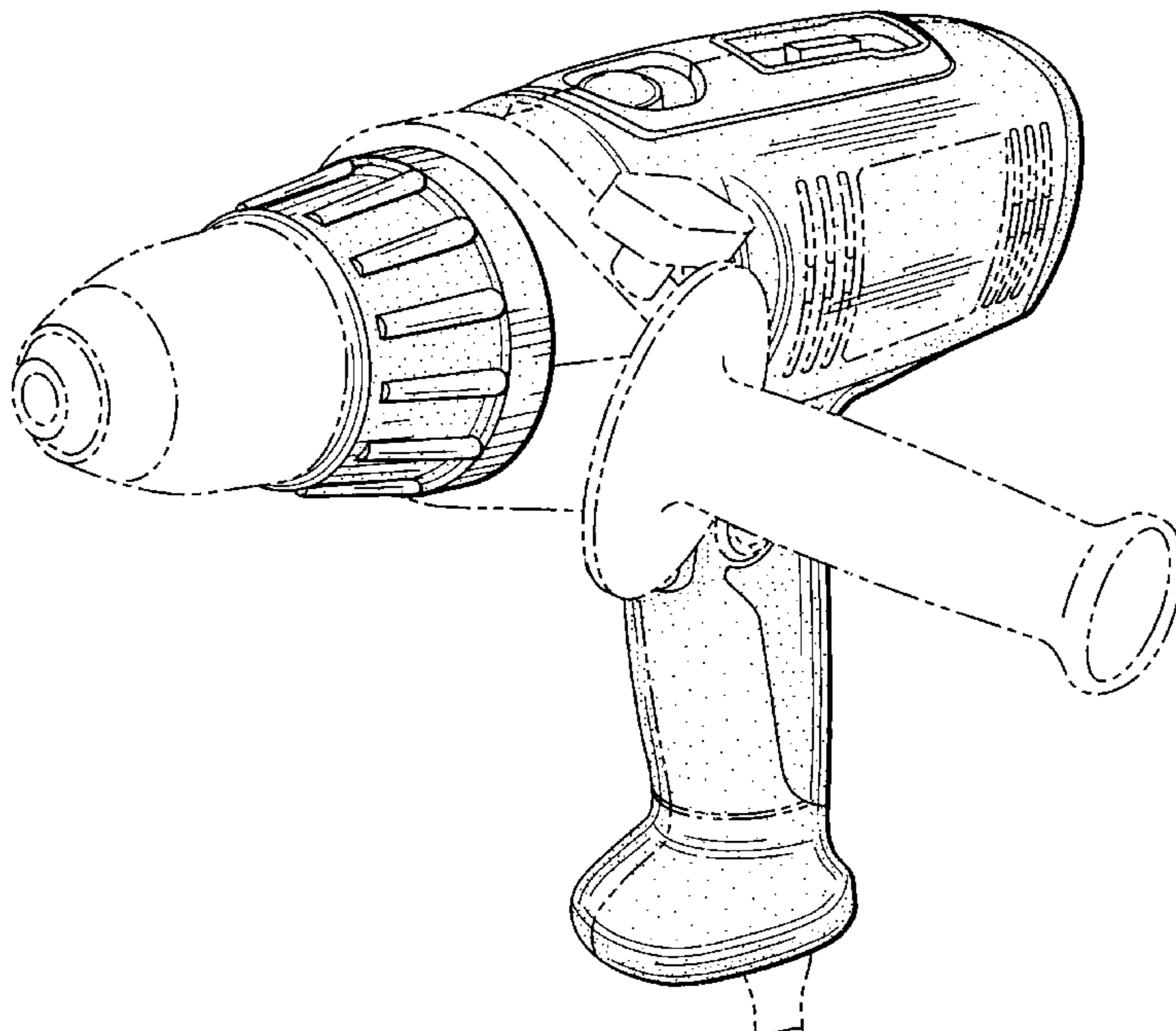
(57) **CLAIM**

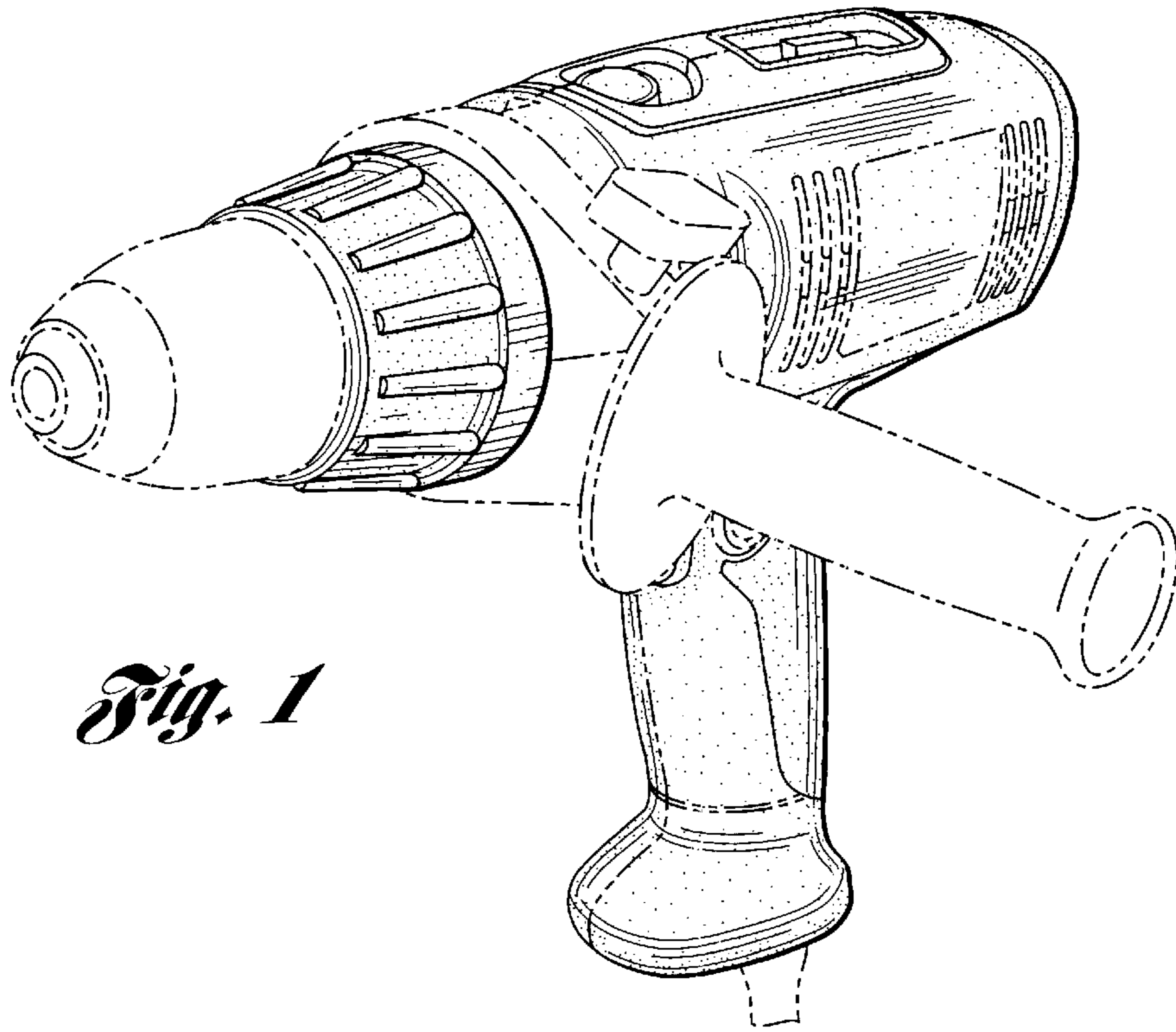
The ornamental design for an electric driver drill, as shown and described.

**DESCRIPTION**

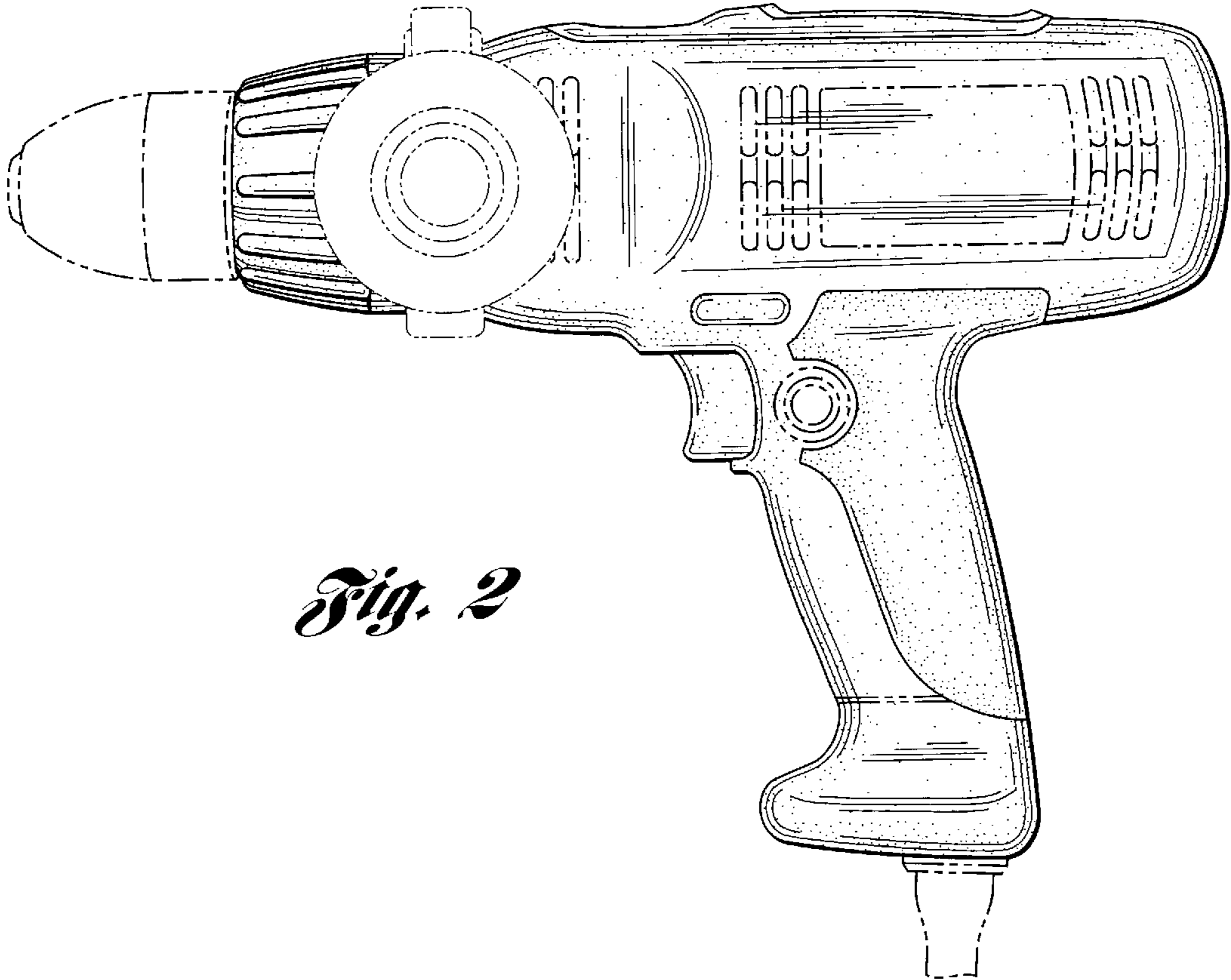
FIG. 1 is a perspective view of an electric driver drill; FIG. 2 is a left side elevational view thereof; FIG. 3 is a right side elevational view thereof; FIG. 4 is a front elevational view thereof; FIG. 5 is a rear elevational view thereof; FIG. 6 is a top plan view thereof; and, FIG. 7 is a bottom plan view of the present invention. No claim is made to the portions of the electric driver drill illustrated in phantom outline.

**1 Claim, 4 Drawing Sheets**

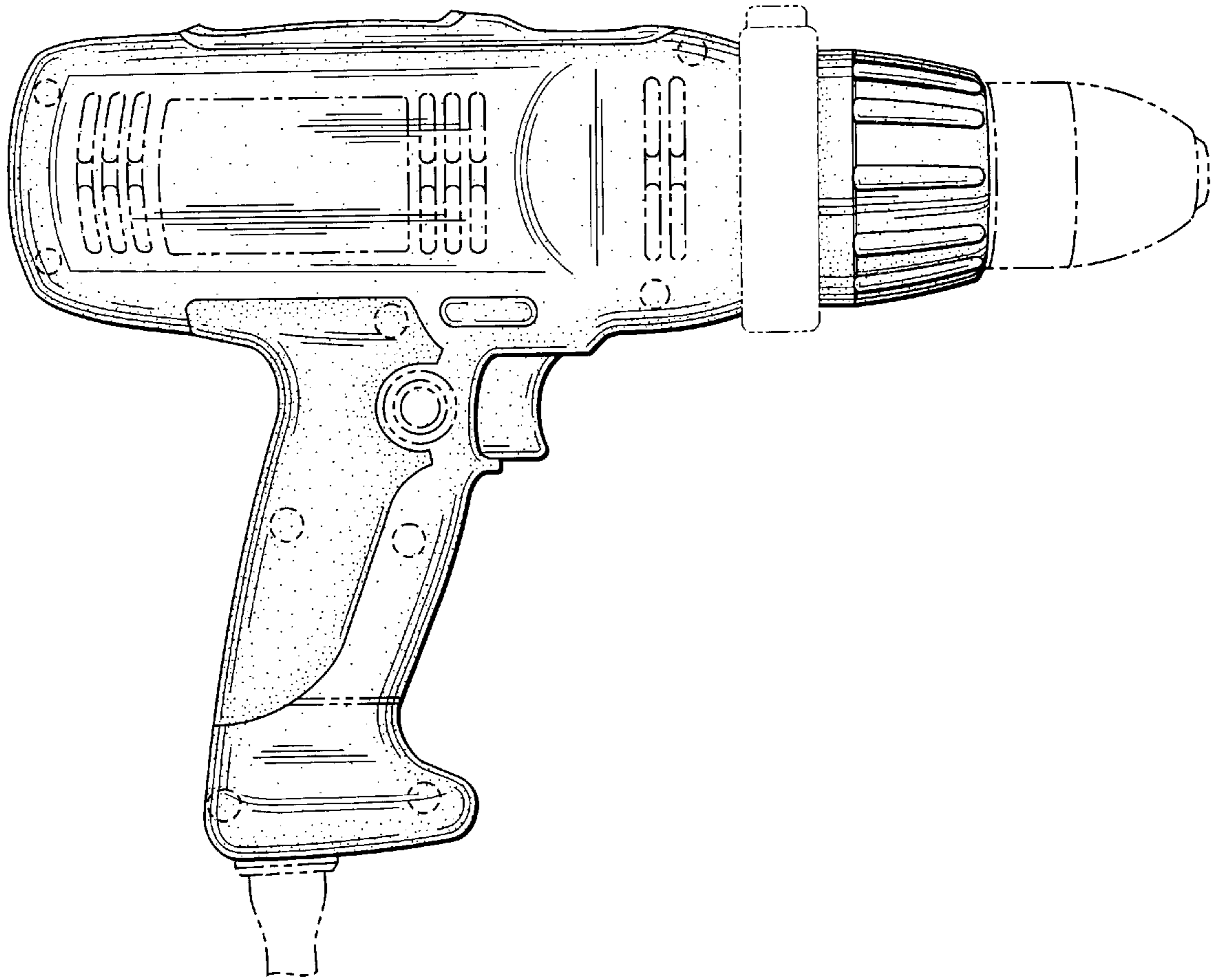




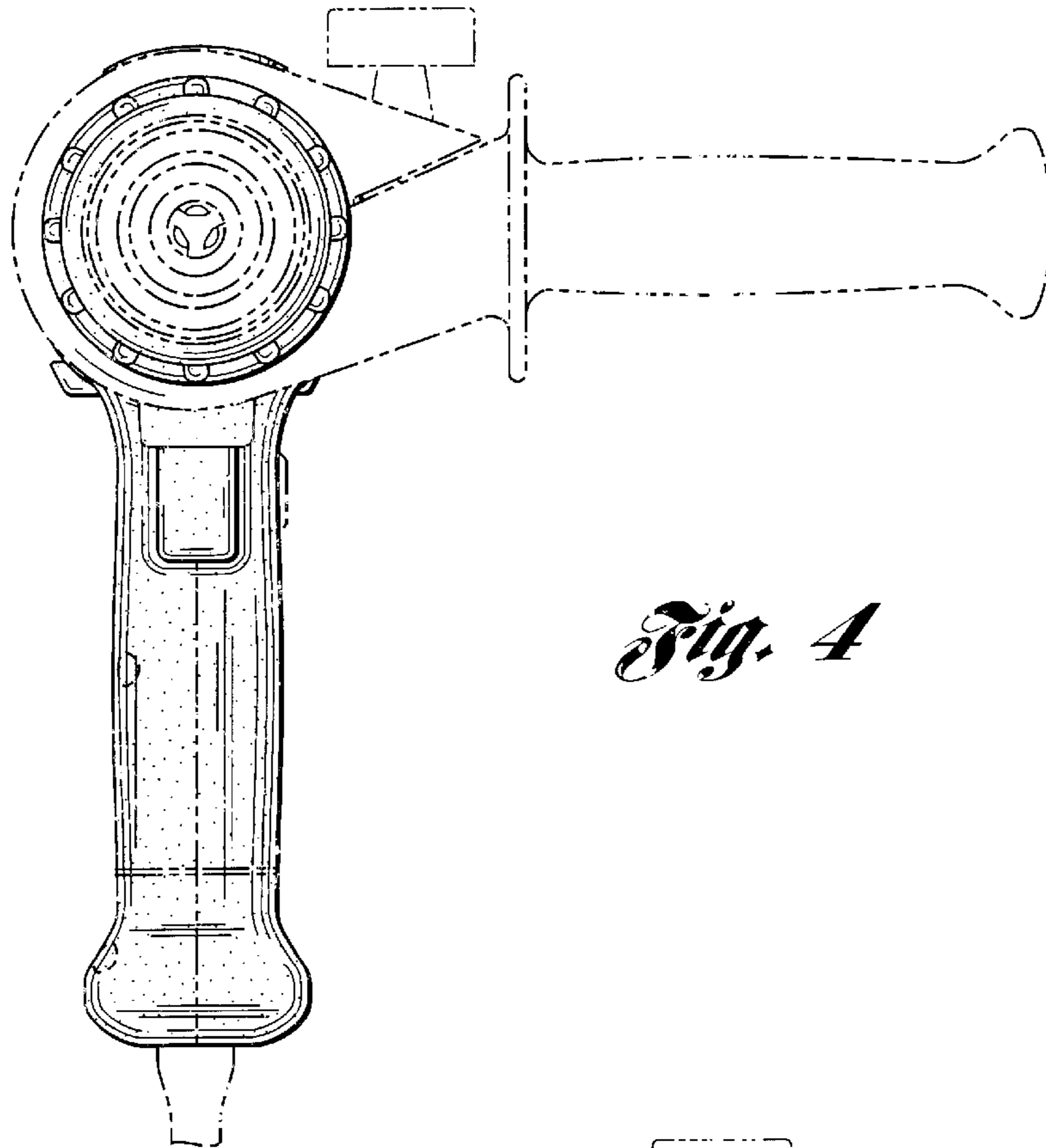
*Fig. 1*



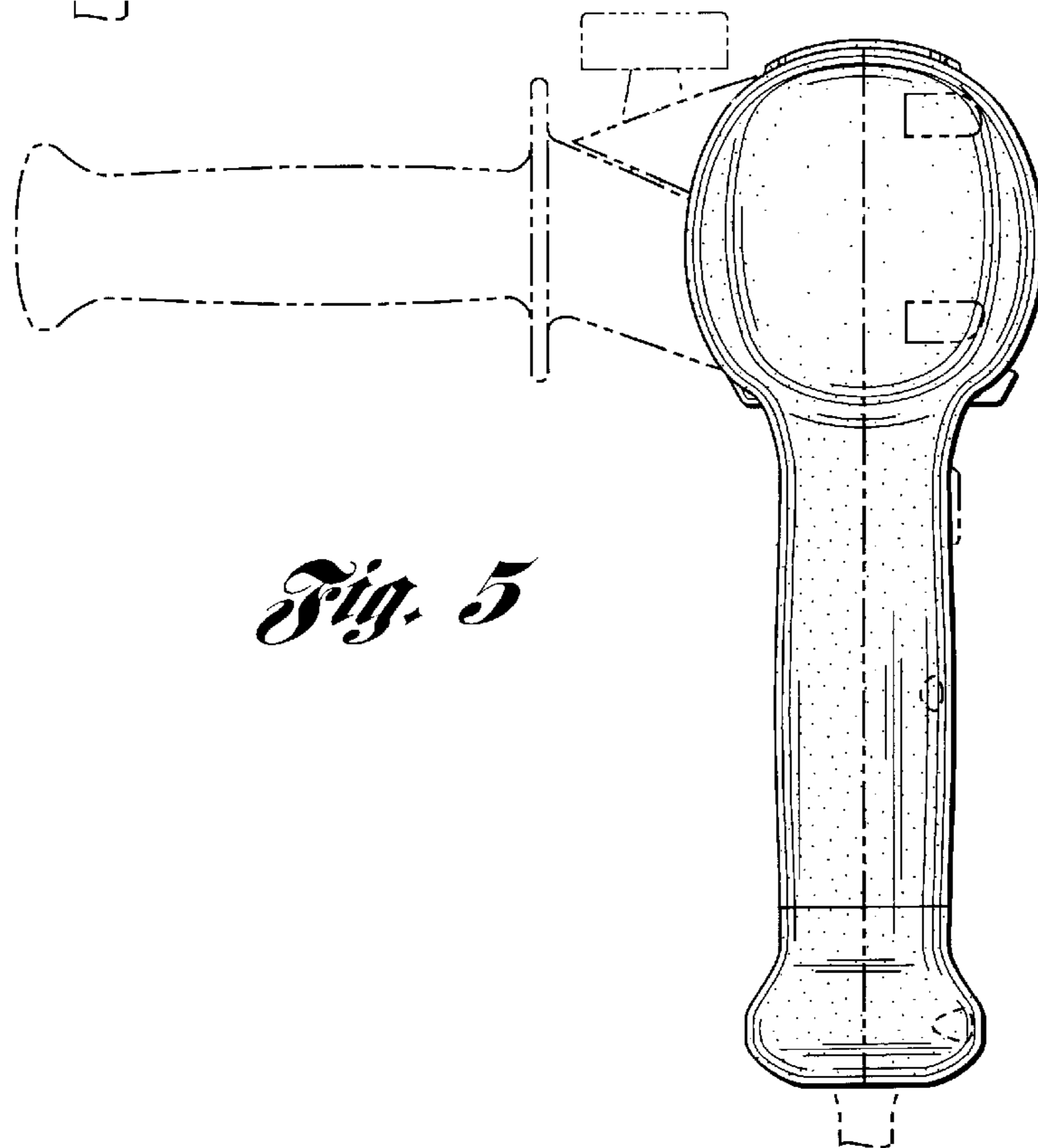
*Fig. 2*



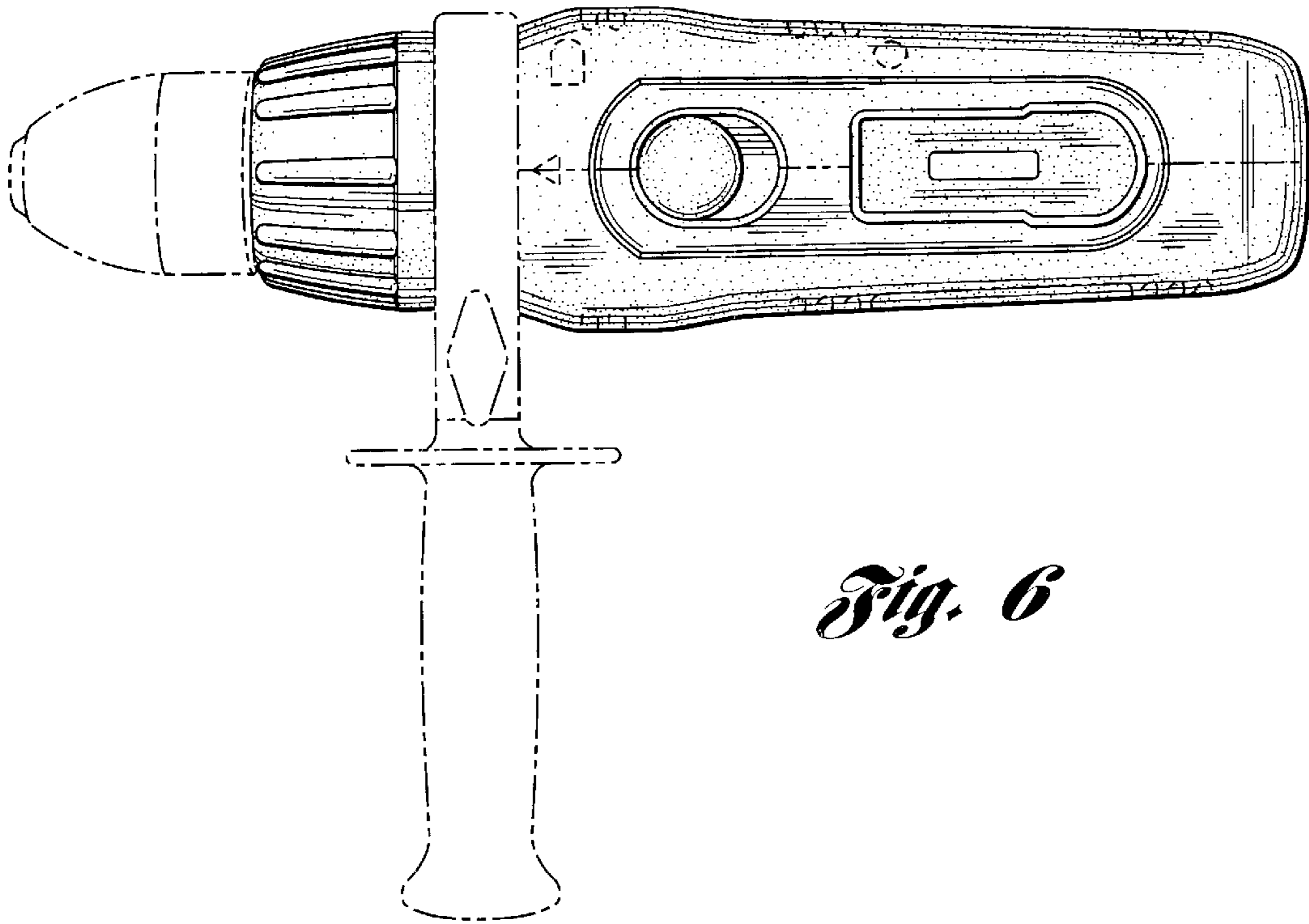
*Fig. 3*



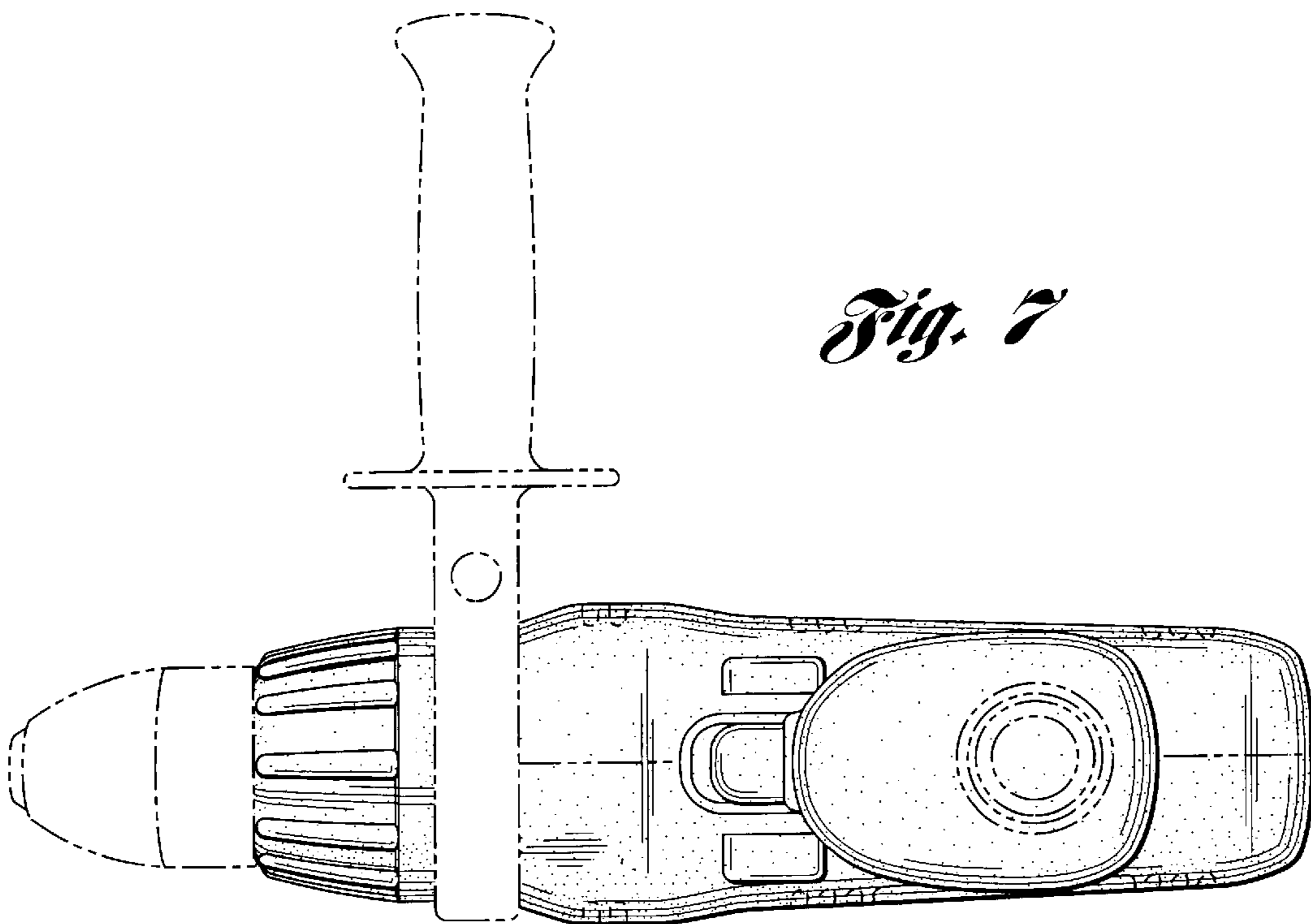
*Fig. 4*



*Fig. 5*



*Fig. 6*



*Fig. 7*