



US00D478261S

(12) **United States Design Patent**
Sham

(10) **Patent No.:** **US D478,261 S**

(45) **Date of Patent:** **** Aug. 12, 2003**

(54) **BELT SANDER**

(75) **Inventor:** **Tailun Kam Lun Sham, Tai Po (HK)**

(73) **Assignee:** **One World Technologies Limited,**
Hamilton (BM)

(**) **Term:** **14 Years**

(21) **Appl. No.:** **29/172,276**

(22) **Filed:** **Dec. 9, 2002**

(51) **LOC (7) Cl.** **08-01**

(52) **U.S. Cl.** **D8/62**

(58) **Field of Search** D8/61, 62, 67,
D8/69; 173/168, 169, 170, 171, 217; 310/47,
50; 451/344, 351, 355, 356, 357, 358, 359,
451, 453, 456

(56) **References Cited**

U.S. PATENT DOCUMENTS

- 4,177,609 A * 12/1979 Rameckers et al. 451/355
- 5,074,081 A * 12/1991 Beth et al. 451/344
- D328,695 S * 8/1992 Hoshino et al. D8/62
- 5,725,086 A * 3/1998 Cooper 200/302.3
- 5,772,498 A * 6/1998 Neubert et al. 451/357
- D400,073 S * 10/1998 Hara D8/62
- 5,947,804 A * 9/1999 Fukinuki et al. 451/344
- D420,875 S * 2/2000 Okitsu et al. D8/62

- 6,126,529 A * 10/2000 Heyer 451/451
- 6,159,085 A * 12/2000 Hara 451/344
- D453,668 S * 2/2002 Pretzell D8/62

* cited by examiner

Primary Examiner—Doris V. Coles

Assistant Examiner—Elizabeth A. Albert

(74) *Attorney, Agent, or Firm*—Andrew Y. Pang; Nexsen
Pruet Jacobs & Pollard, LLC

(57) **CLAIM**

The ornamental design for a belt sander, as shown and described.

DESCRIPTION

FIG. 1 is a right front perspective view of the belt sander of the present invention;

FIG. 2 is a left front perspective view thereof;

FIG. 3 is a bottom perspective view thereof;

FIG. 4 is a right side elevational view thereof;

FIG. 5 is a left side elevational view thereof;

FIG. 6 is a front elevational view thereof;

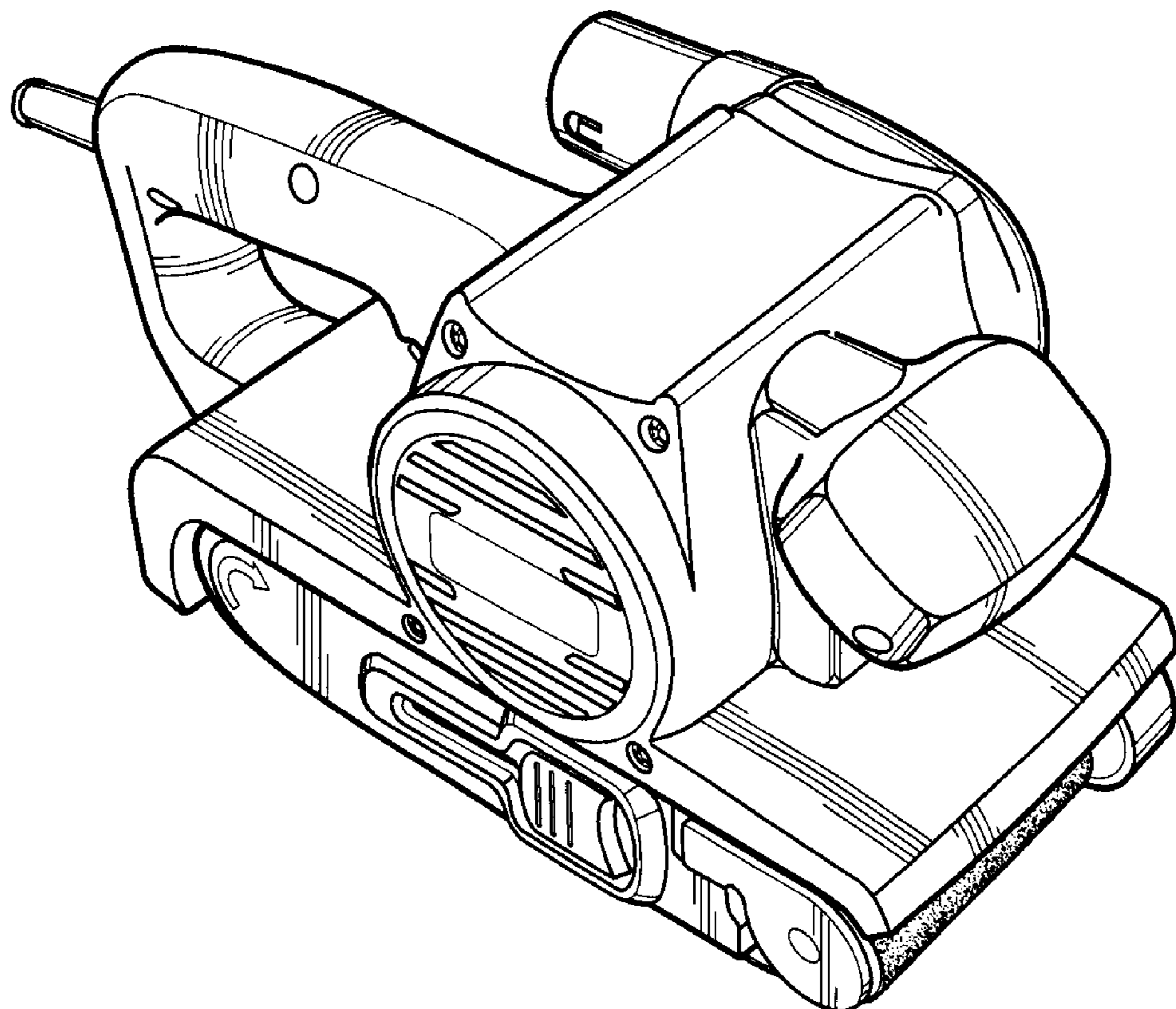
FIG. 7 is a rear elevational view thereof;

FIG. 8 is a top view thereof; and,

FIG. 9 is a bottom view thereof.

The broken lines shown in FIG. 5 are for illustrative purposes only and form no part of the claimed design.

1 Claim, 4 Drawing Sheets



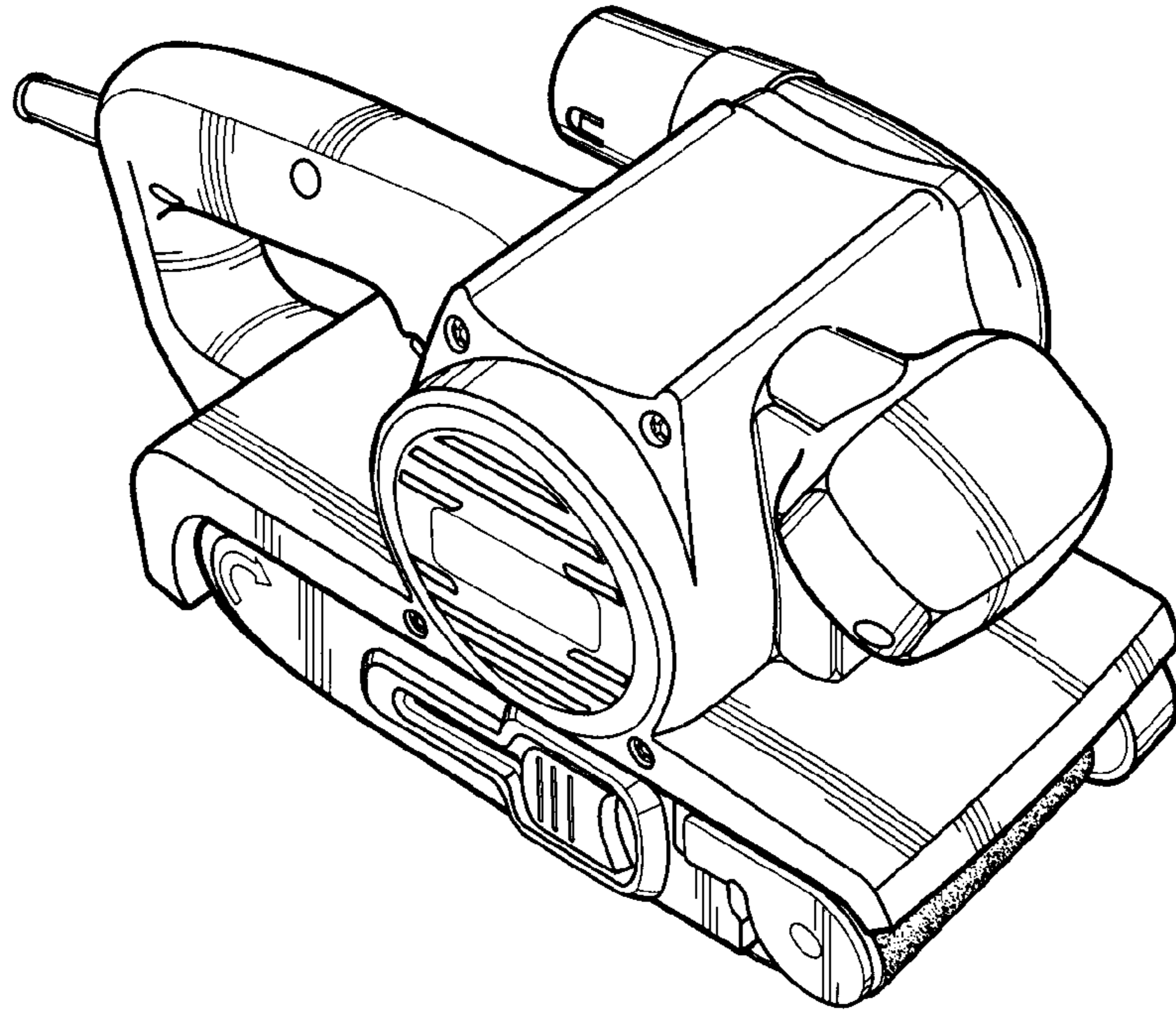


FIG. 1

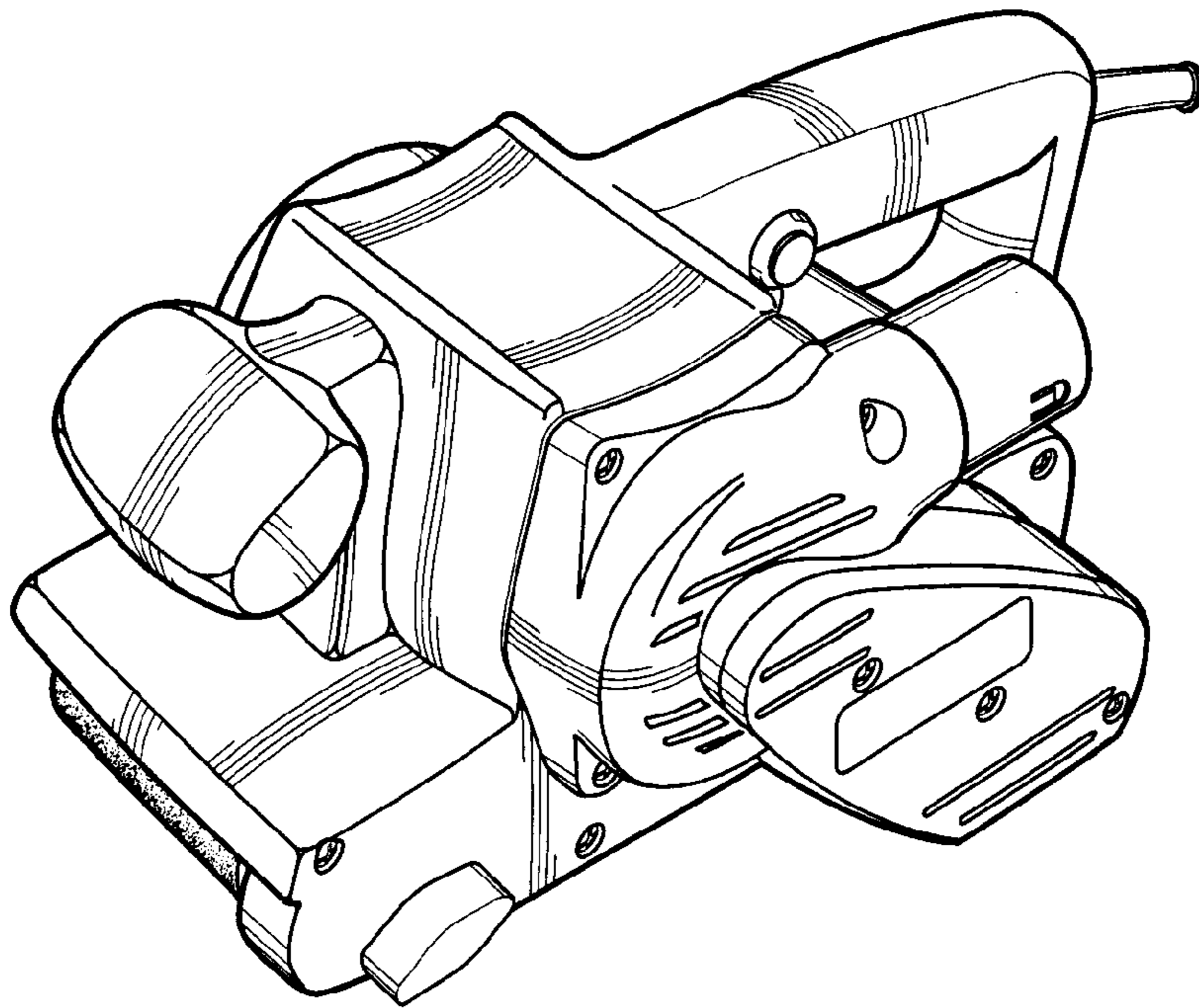


FIG. 2

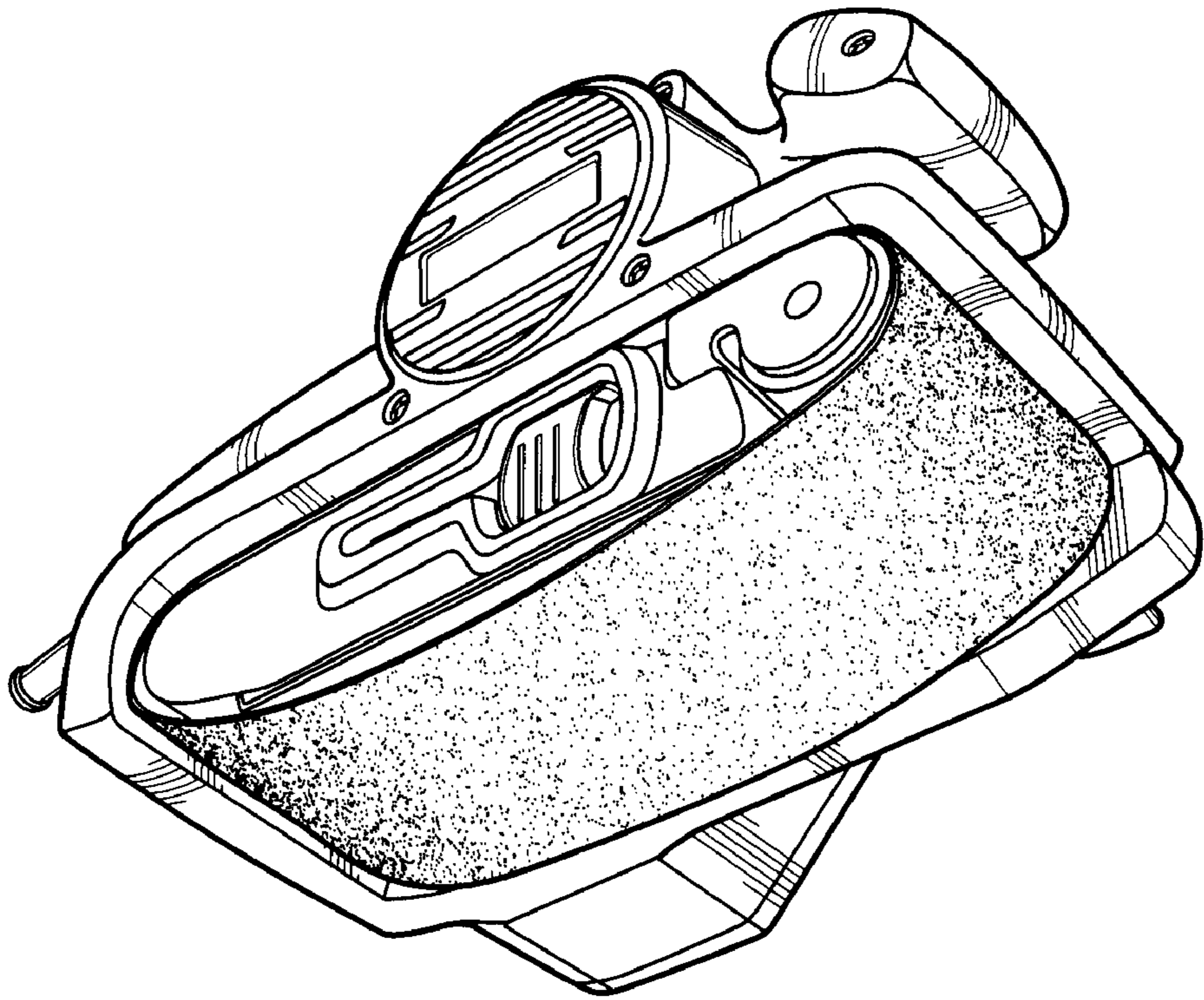


FIG. 3

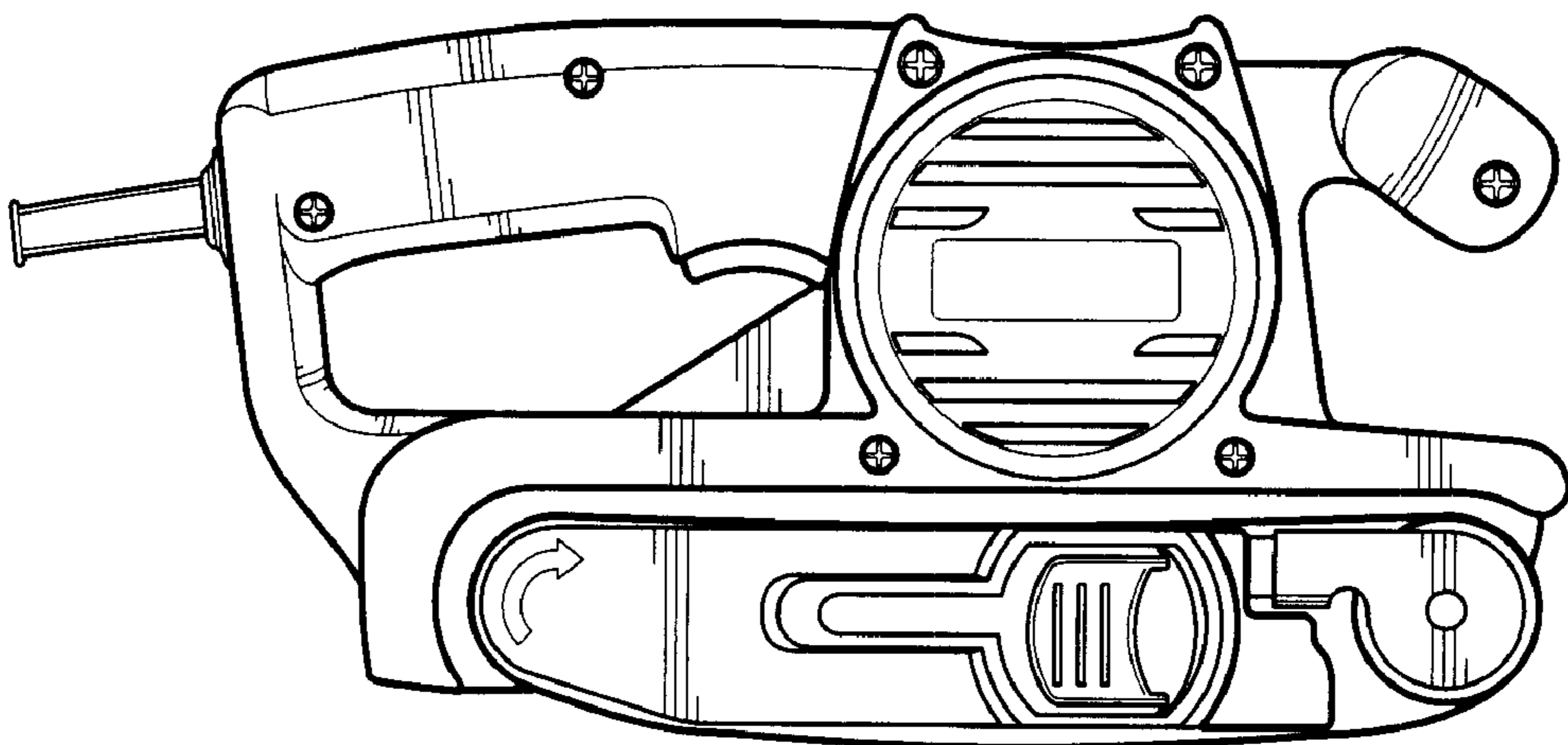


FIG. 4

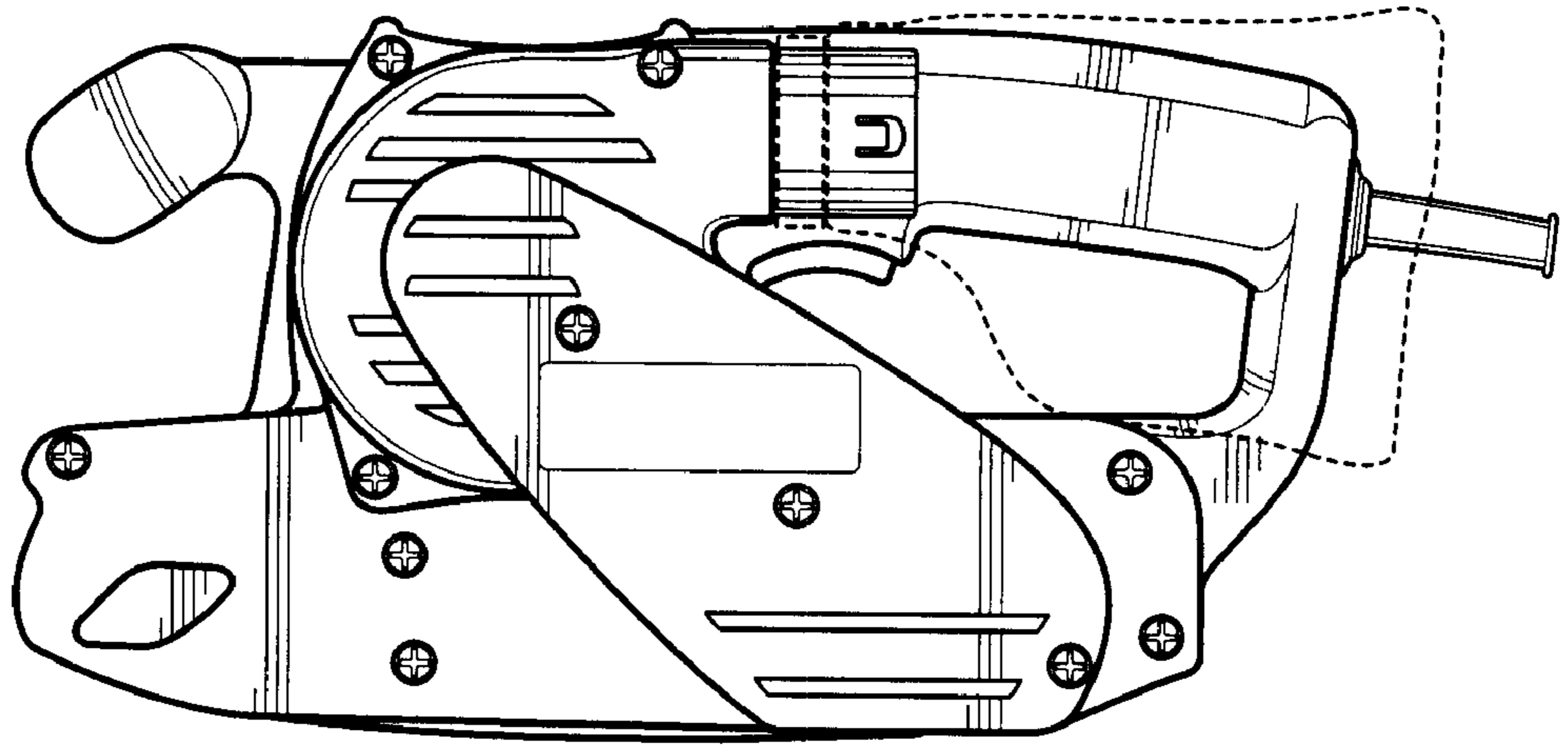


FIG. 5

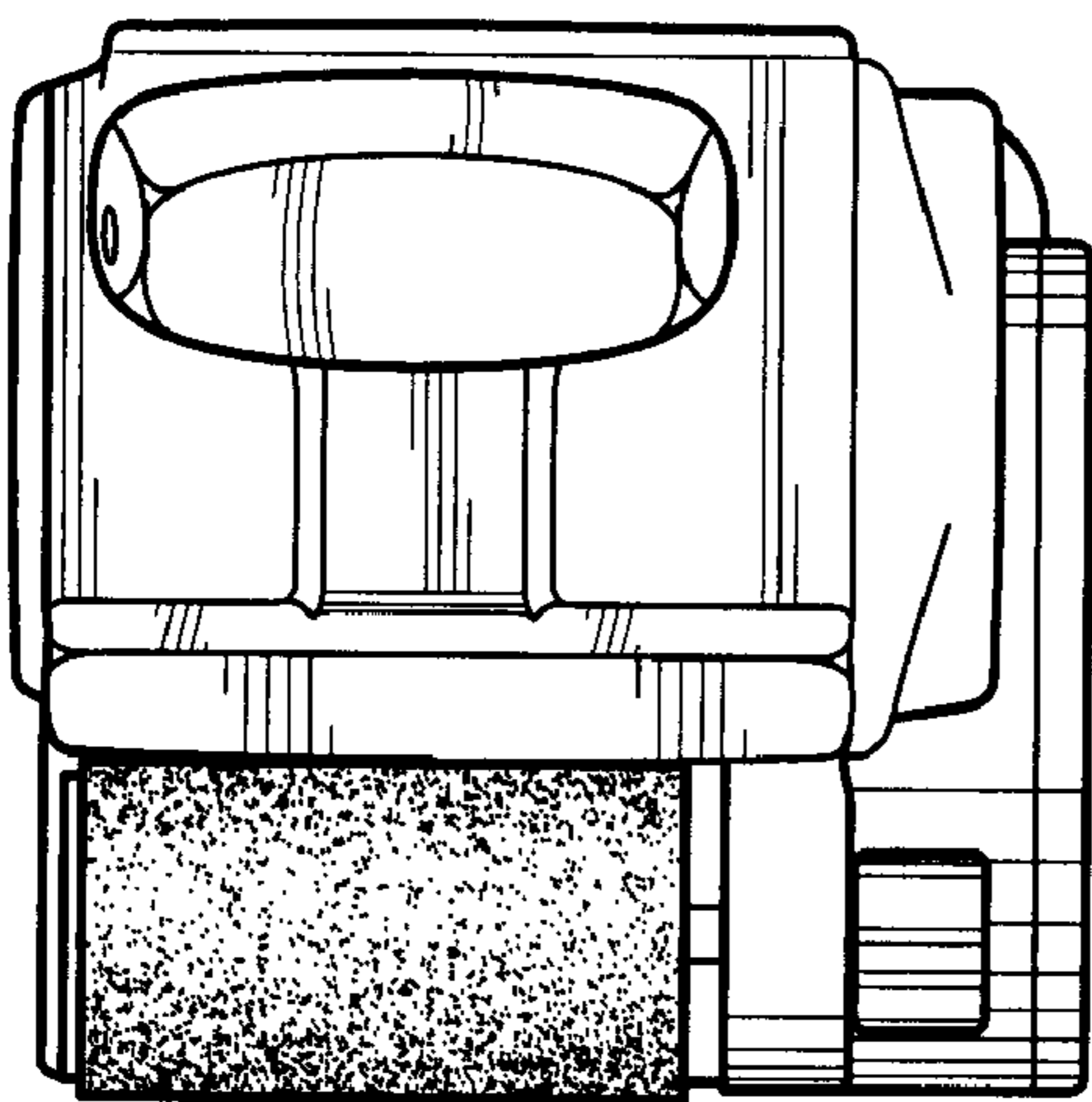


FIG. 6

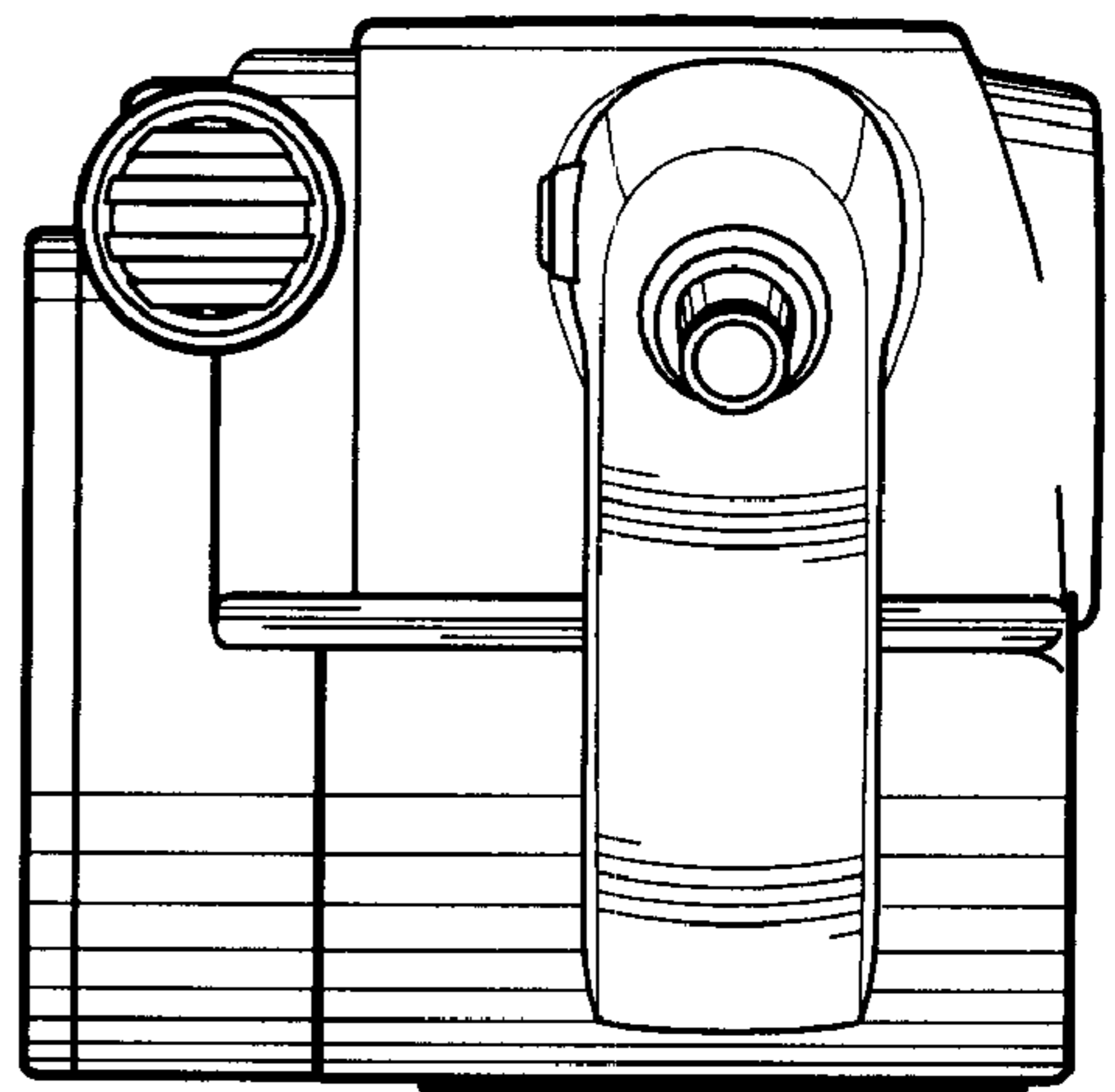


FIG. 7

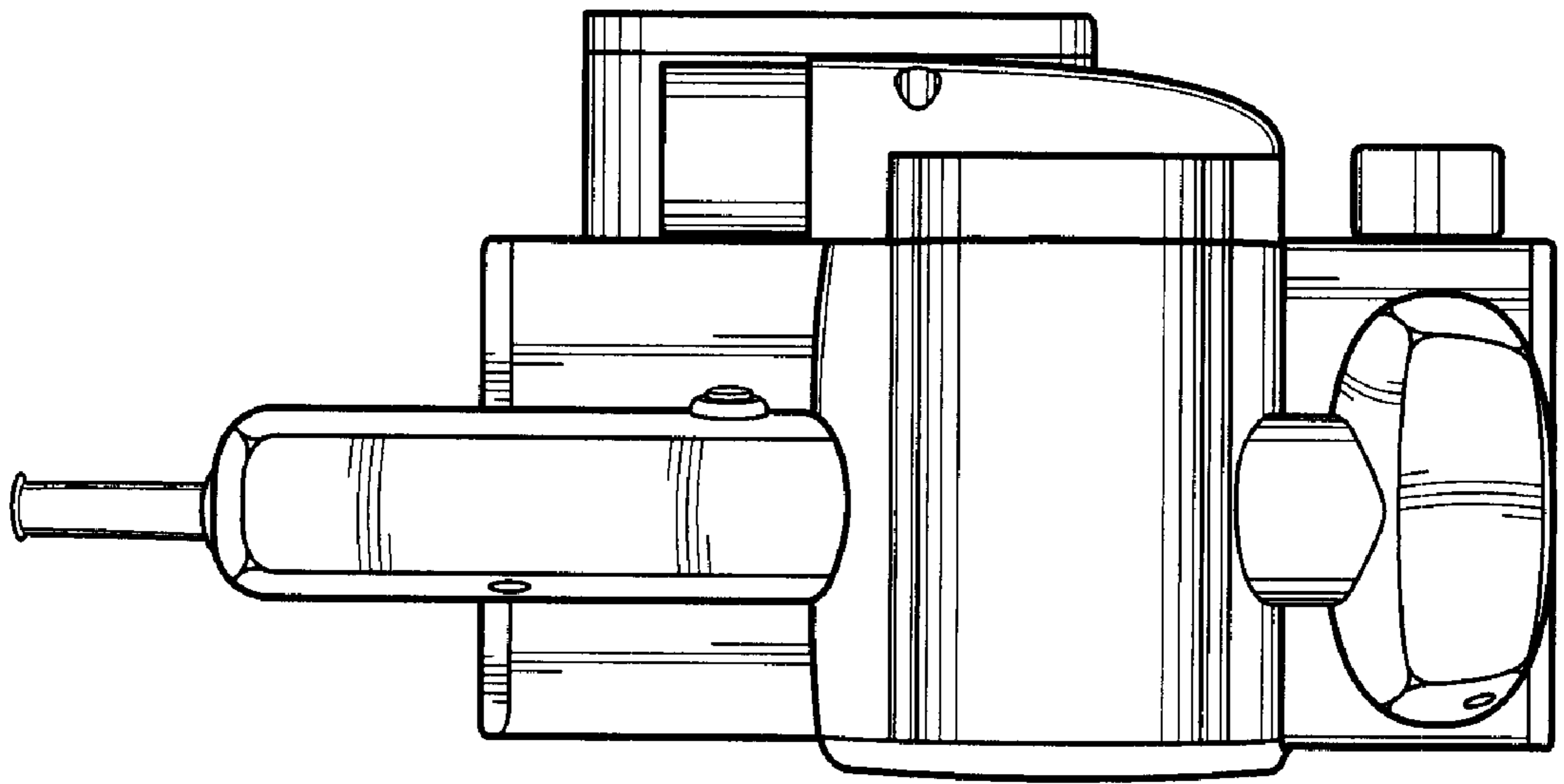


FIG. 8

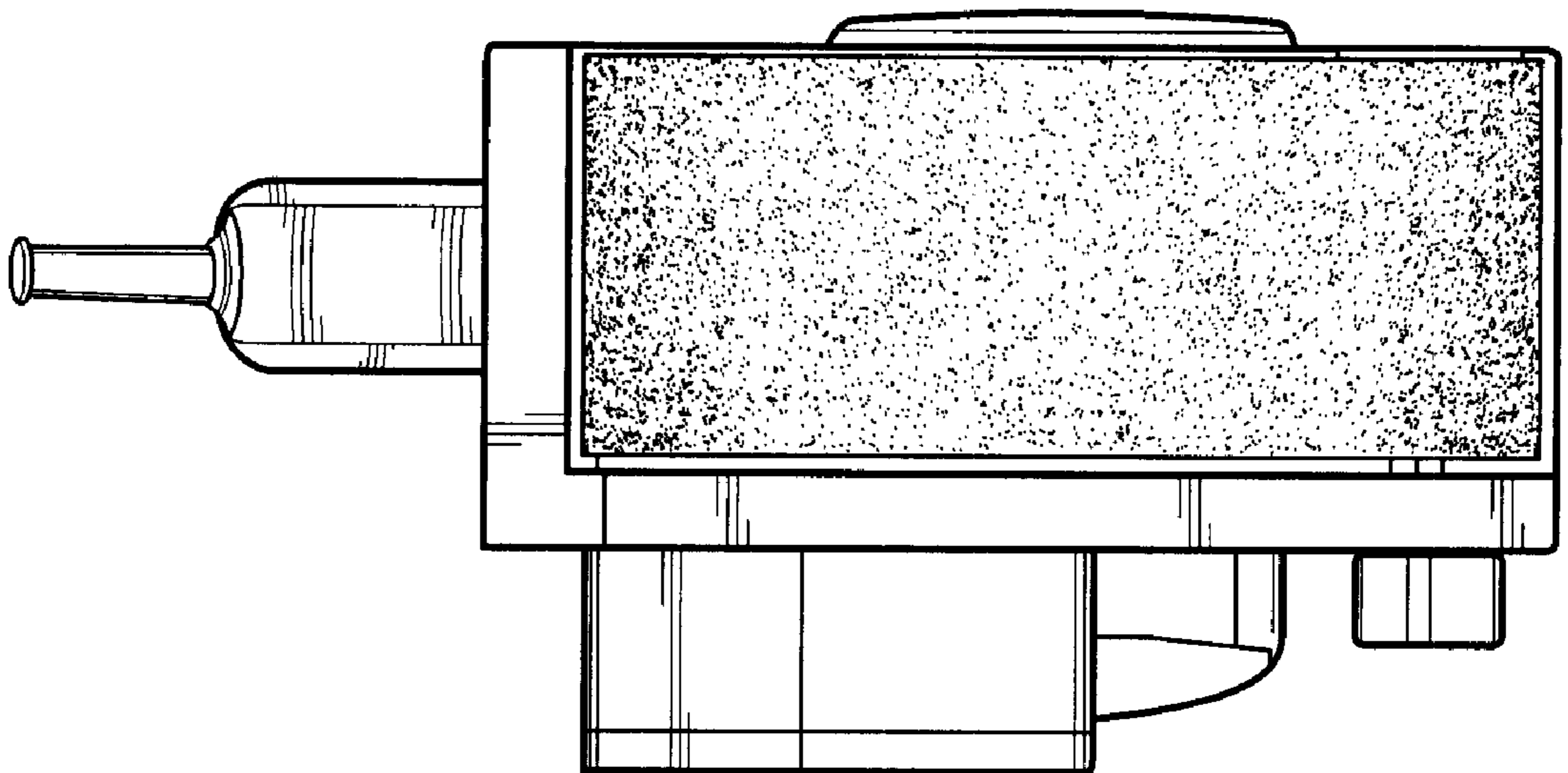


FIG. 9