



US00D478260S

(12) **United States Design Patent**  
**Heun**

(10) **Patent No.:** **US D478,260 S**

(45) **Date of Patent:** **\*\* Aug. 12, 2003**

(54) **ELECTRIC TRIMMER**

(75) **Inventor:** **Ping Hay Heun, Aberdeen (HK)**

(73) **Assignee:** **Choon Nang Electrical Appliance Mfy., Ltd., Aberdeen (HK)**

(\*\*) **Term:** **14 Years**

(21) **Appl. No.:** **29/158,333**

(22) **Filed:** **Apr. 4, 2002**

(30) **Foreign Application Priority Data**

Jan. 31, 2002 (GB) ..... 3001154

(51) **LOC (7) Cl.** ..... **08-03**

(52) **U.S. Cl.** ..... **D8/61**

(58) **Field of Search** ..... D8/61, 62; D15/124;  
D24/146; 81/54, 57.11, 57.42, 469, 474;  
144/136.95, 154.5, 371; 173/168, 169, 170,  
171, 216, 217; 310/50; 408/241 R; 409/180,  
181, 182, 218; 451/344, 357, 358, 359

(56) **References Cited**

**U.S. PATENT DOCUMENTS**

D364,790 S \* 12/1995 Duennes ..... D8/61  
5,813,805 A \* 9/1998 Kopras ..... 408/241 R

5,902,080 A \* 5/1999 Kopras ..... 409/182  
D437,757 S \* 2/2001 Thomson et al. .... D8/61  
D439,484 S \* 3/2001 Adler et al. .... D8/69  
D446,100 S \* 8/2001 Heun ..... D8/61  
D448,263 S \* 9/2001 Heun ..... D8/67

\* cited by examiner

*Primary Examiner*—Doris V. Coles

*Assistant Examiner*—Elizabeth A. Albert

(74) *Attorney, Agent, or Firm*—Leydig, Voit & Mayer, Ltd.

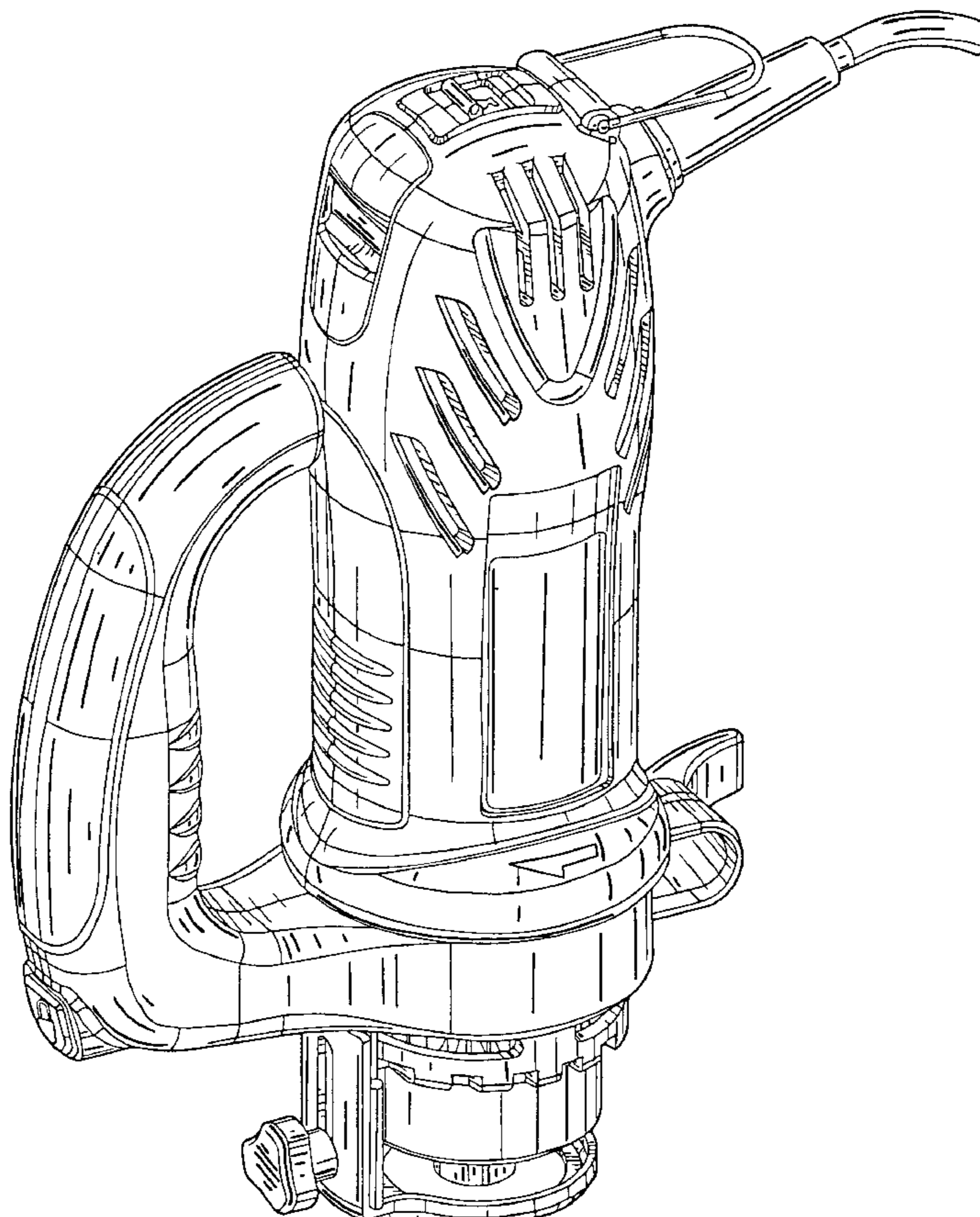
(57) **CLAIM**

The ornamental design for an electric trimmer, as shown and described.

**DESCRIPTION**

FIG. 1 is a front, left side and top perspective view of an electric trimmer with the cord broken away for purposes of illustration showing my new design;  
FIG. 2 is a rear, left side and top perspective view thereof;  
FIG. 3 is a front elevational view thereof;  
FIG. 4 is a rear elevational view thereof;  
FIG. 5 is a left side elevational view thereof;  
FIG. 6 is a right side elevational view thereof;  
FIG. 7 is a top plan view thereof; and,  
FIG. 8 is a bottom plan view thereof.

**1 Claim, 6 Drawing Sheets**



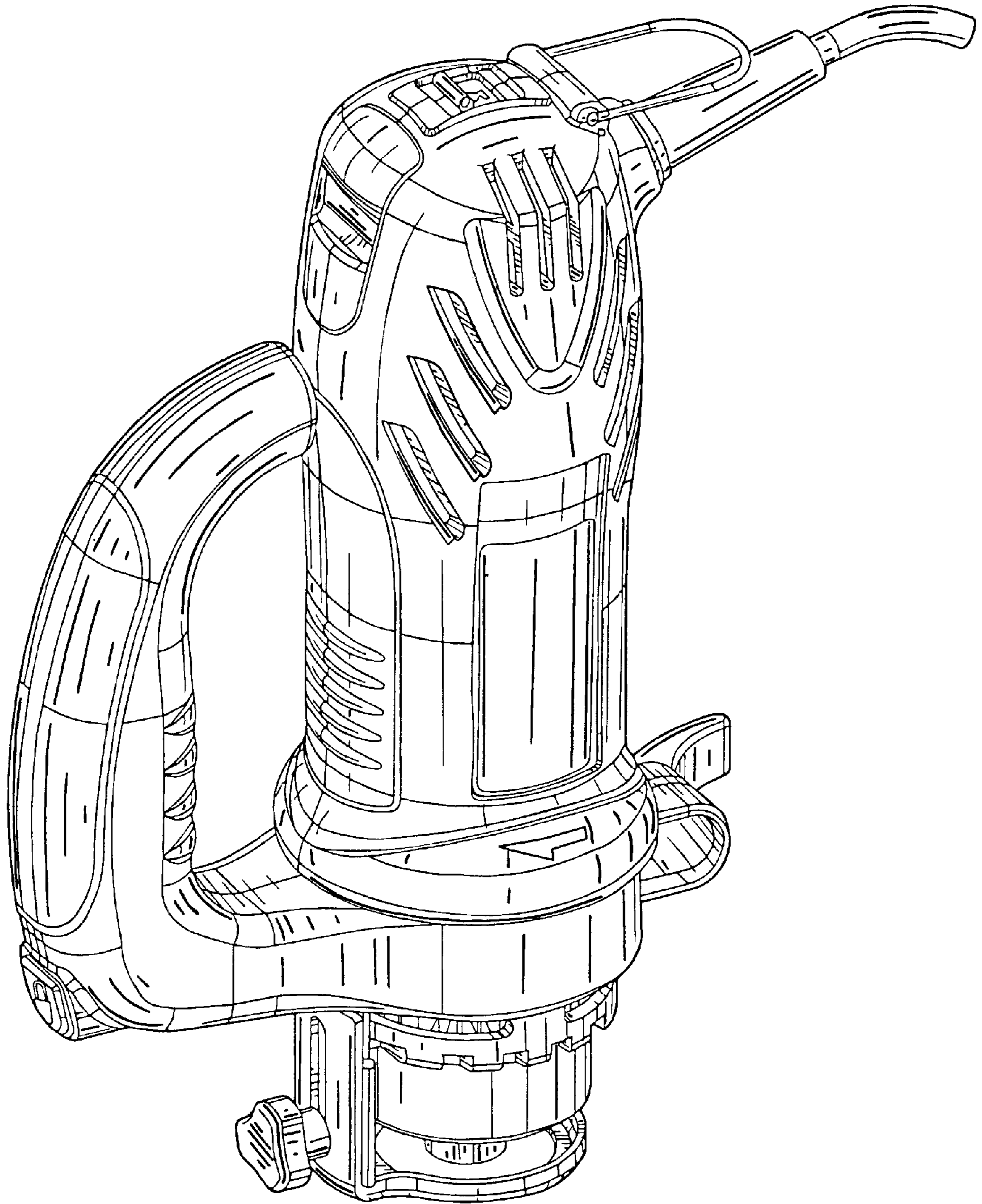


FIG. 1



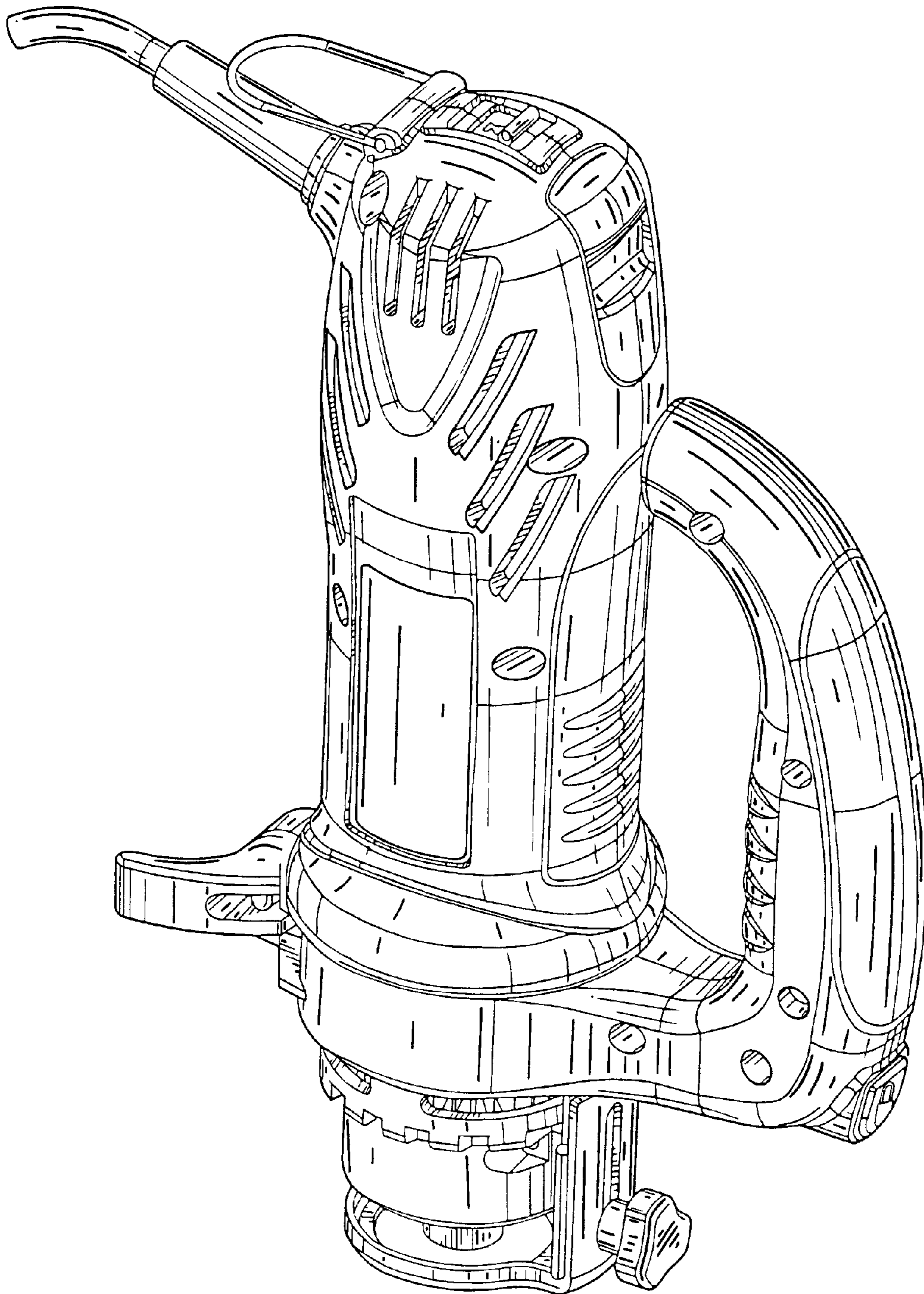


FIG. 2

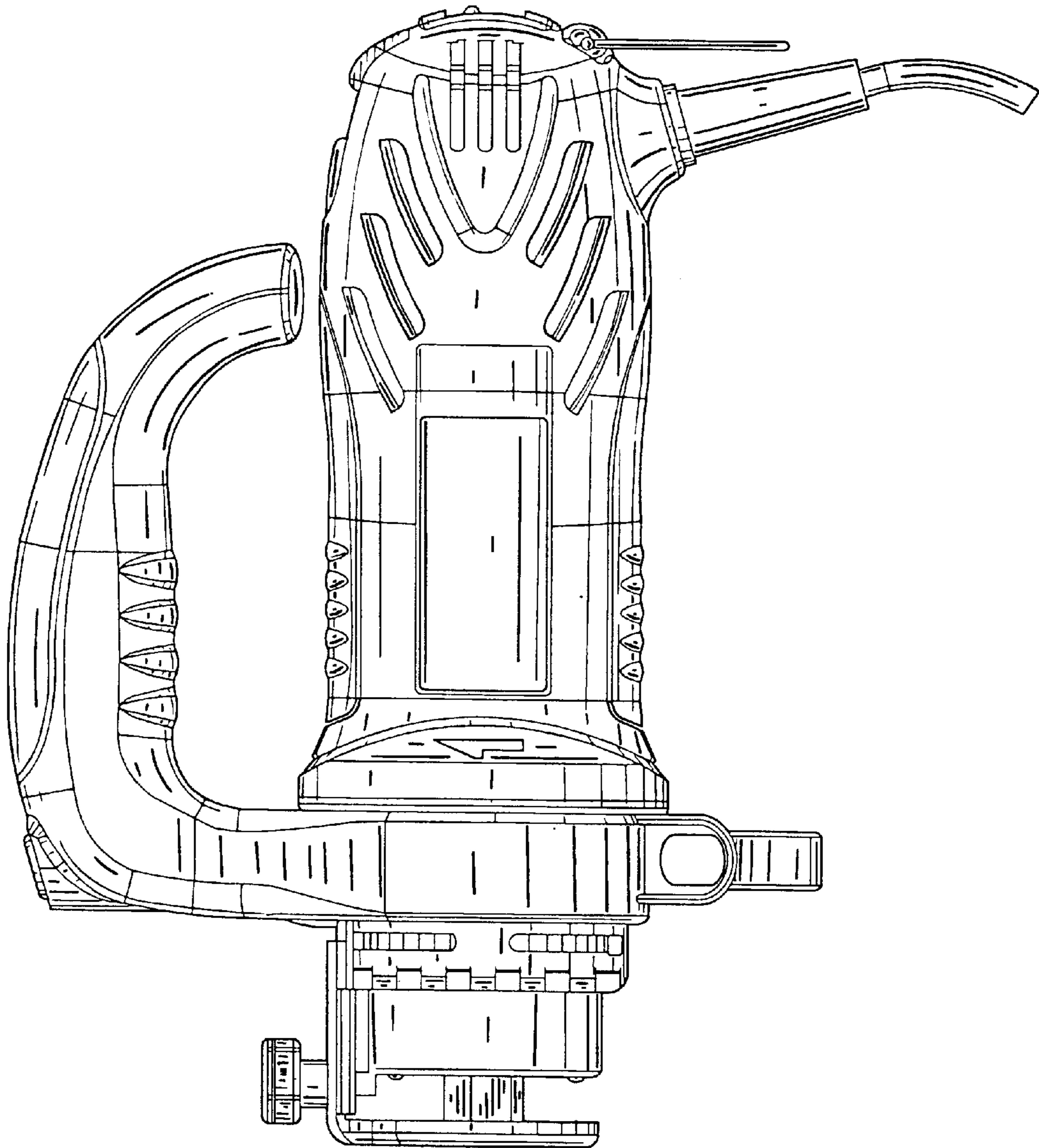


FIG. 3

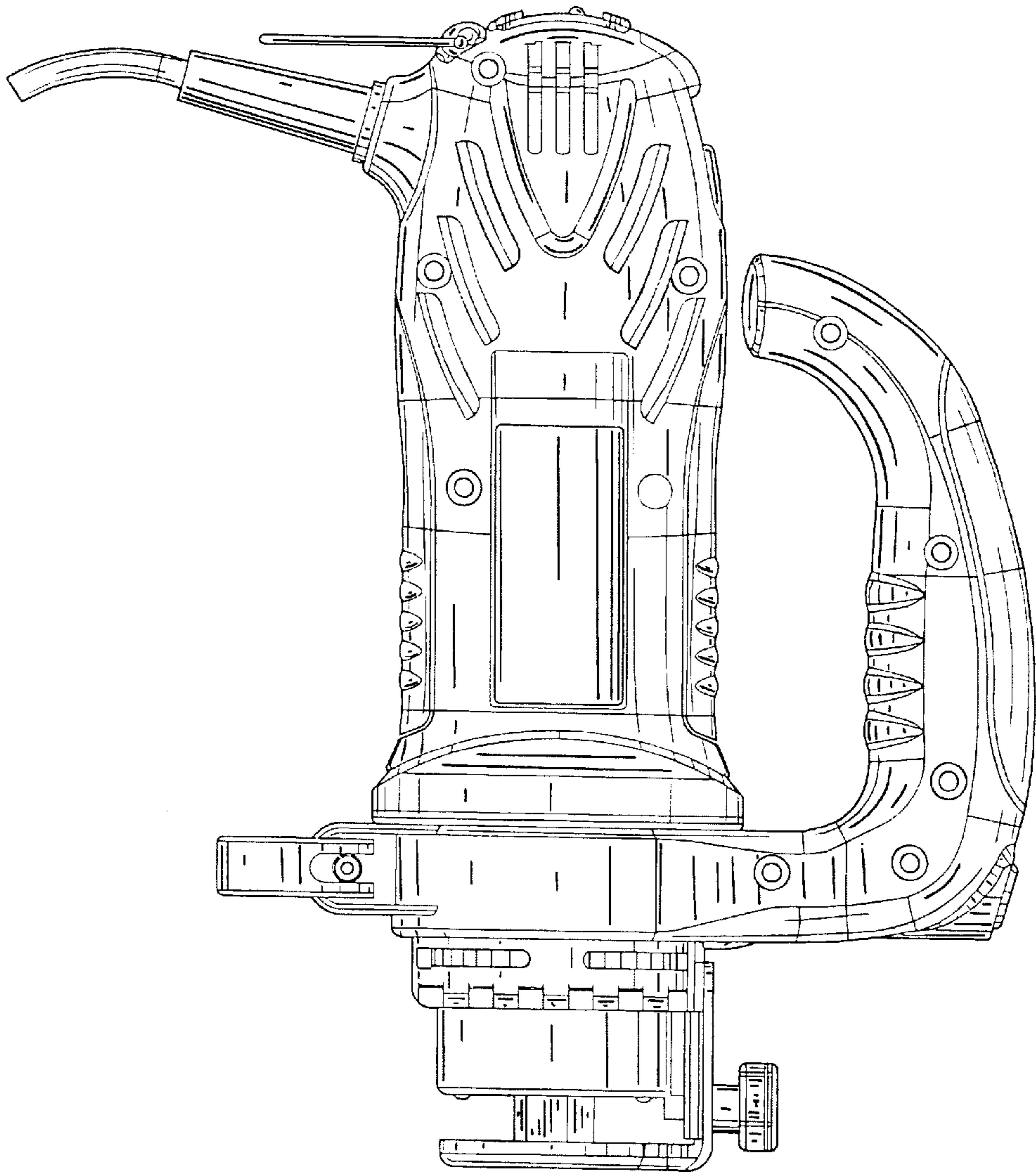


FIG. 4

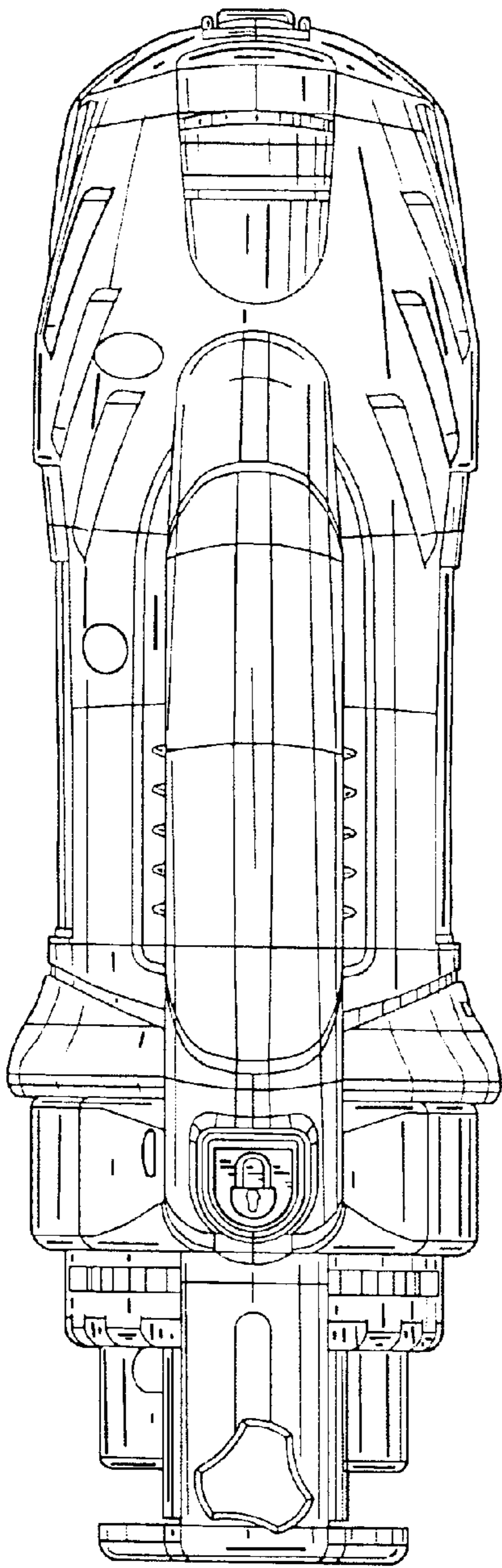


FIG. 5

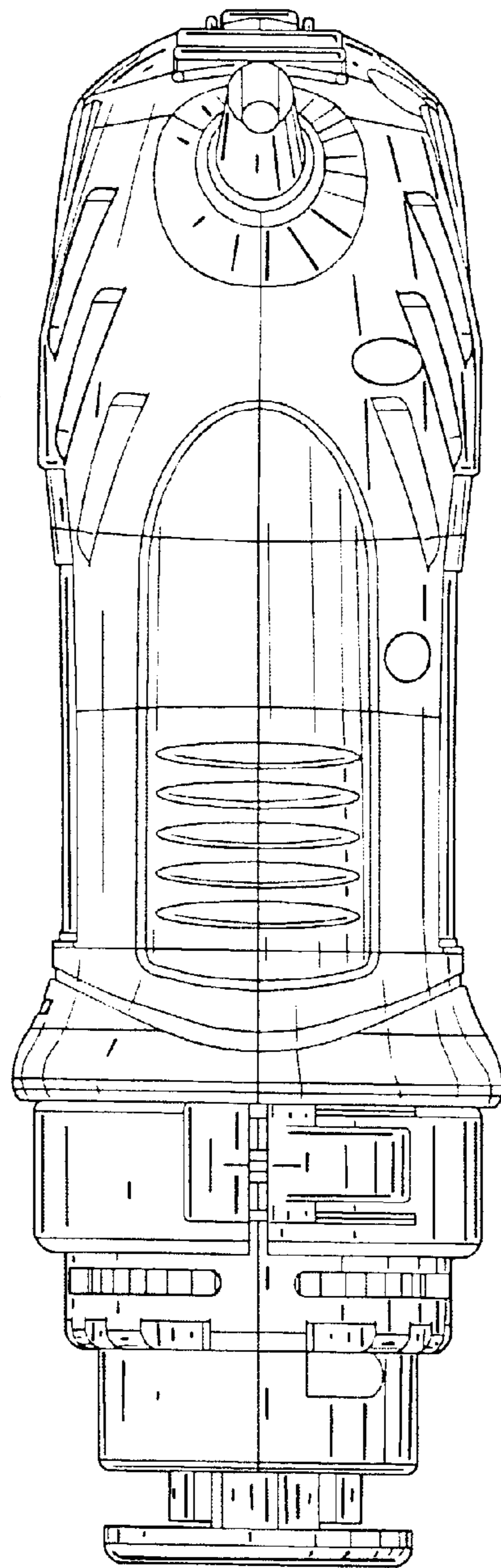


FIG. 6



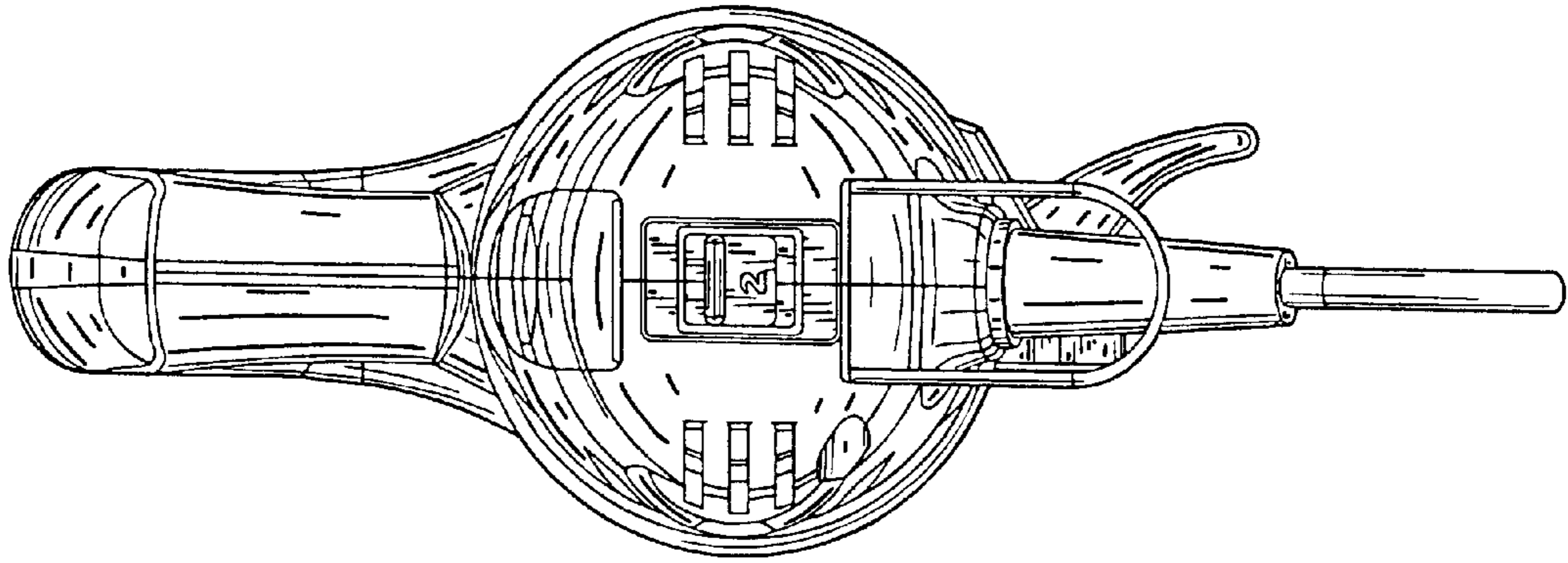


FIG. 7

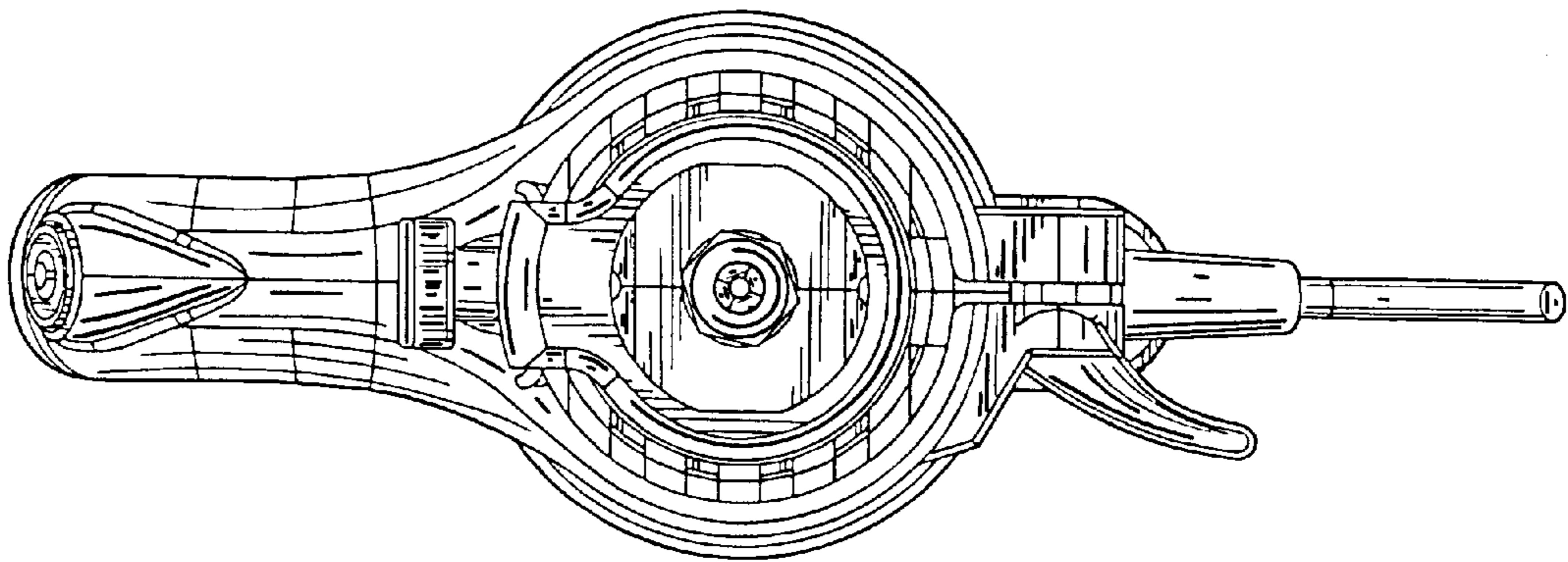


FIG. 8