



US00D478259S

(12) **United States Design Patent**
Heun

(10) **Patent No.:** **US D478,259 S**

(45) **Date of Patent:** **** Aug. 12, 2003**

(54) **ELECTRIC TRIMMER**

(75) **Inventor:** **Ping Hay Heun, Aberdeen (HK)**

(73) **Assignee:** **Choon Nang Electrical Appliance Mfy., Ltd., Aberdeen (HK)**

(**) **Term:** **14 Years**

(21) **Appl. No.:** **29/158,270**

(22) **Filed:** **Apr. 3, 2002**

(30) **Foreign Application Priority Data**

Jan. 31, 2002 (GB) 3001147

(51) **LOC (7) Cl.** **08-03**

(52) **U.S. Cl.** **D8/61**

(58) **Field of Search** D8/61, 62; D15/124, D15/132; D24/146; 81/54, 57.11, 57.42, 469, 474; 144/136.95, 154.5, 371; 173/168, 169, 170, 171, 216, 217; 310/50; 408/241 R; 409/180, 181, 182, 218; 451/344, 357, 358, 359

(56) **References Cited**

U.S. PATENT DOCUMENTS

D364,790 S * 12/1995 Duennes D8/61

D433,905 S * 11/2000 Cooper D8/61

D437,757 S * 2/2001 Thomson et al. D8/61

D439,122 S * 3/2001 Adler et al. D8/61

D446,100 S * 8/2001 Heun D8/61

D447,030 S * 8/2001 Chen D8/61

* cited by examiner

Primary Examiner—Doris V. Coles

Assistant Examiner—Elizabeth Albert

(74) *Attorney, Agent, or Firm*—Leydig, Voit & Mayer, Ltd.

(57) **CLAIM**

The ornamental design for an electric trimmer, as shown and described.

DESCRIPTION

FIG. 1 is a front end, left side and top perspective view of an electric trimmer showing my new design;

FIG. 2 is a rear end, right side and top perspective view thereof;

FIG. 3 is a left side elevational view thereof;

FIG. 4 is a right side elevational view thereof;

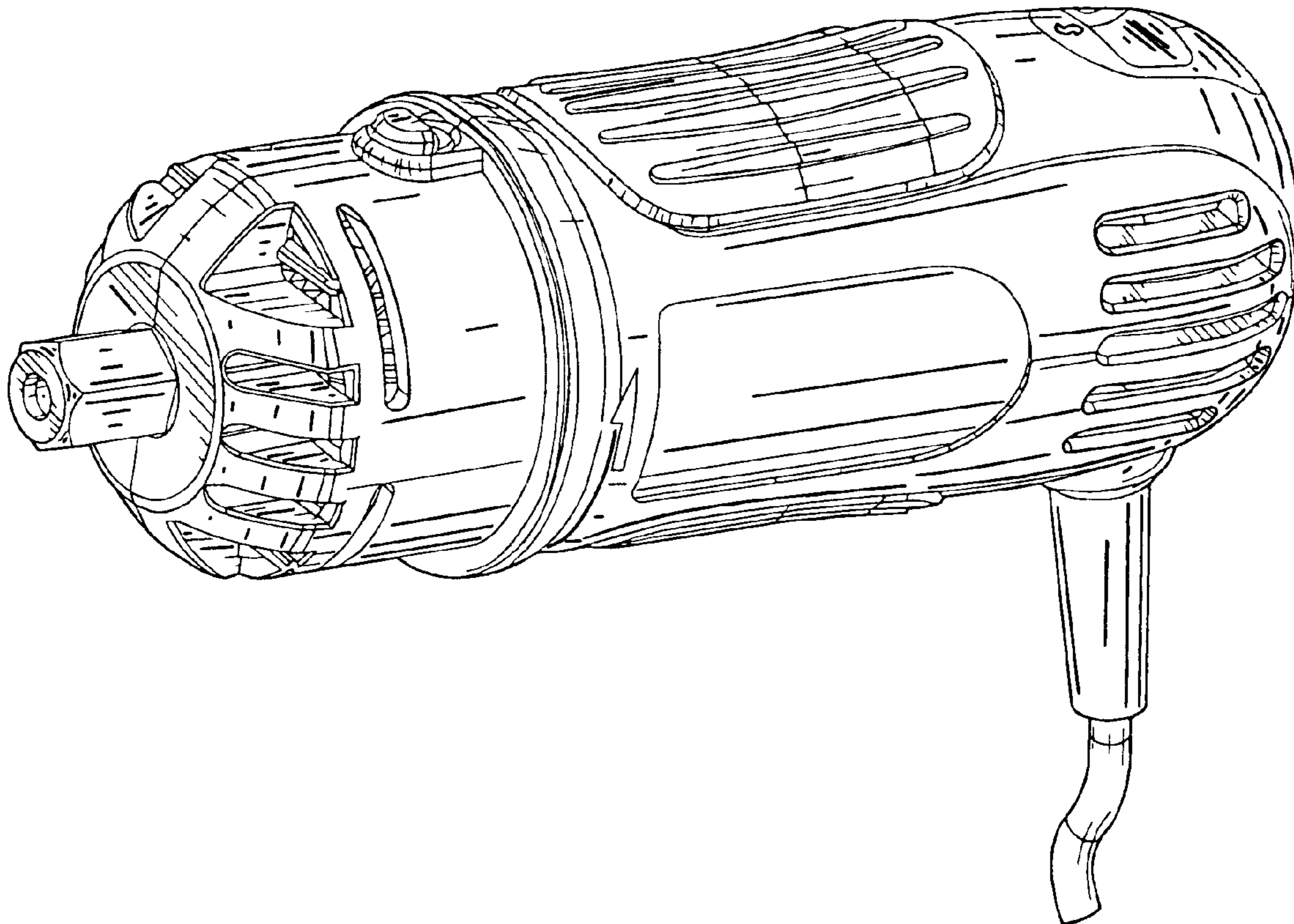
FIG. 5 is a top plan view thereof;

FIG. 6 is a bottom plan view thereof;

FIG. 7 is a front end elevational view thereof; and,

FIG. 8 is a rear end elevational view thereof.

1 Claim, 5 Drawing Sheets



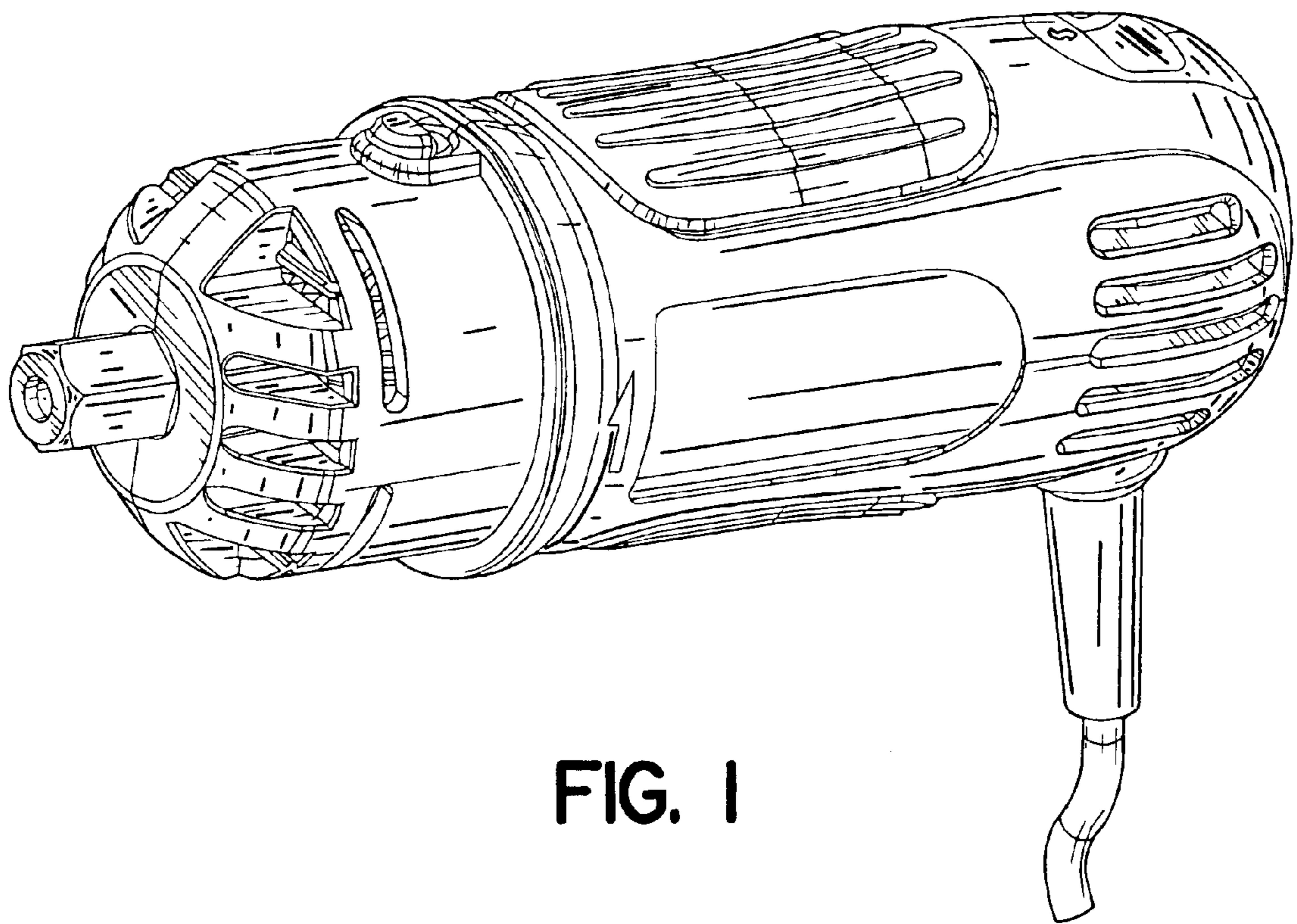


FIG. 1

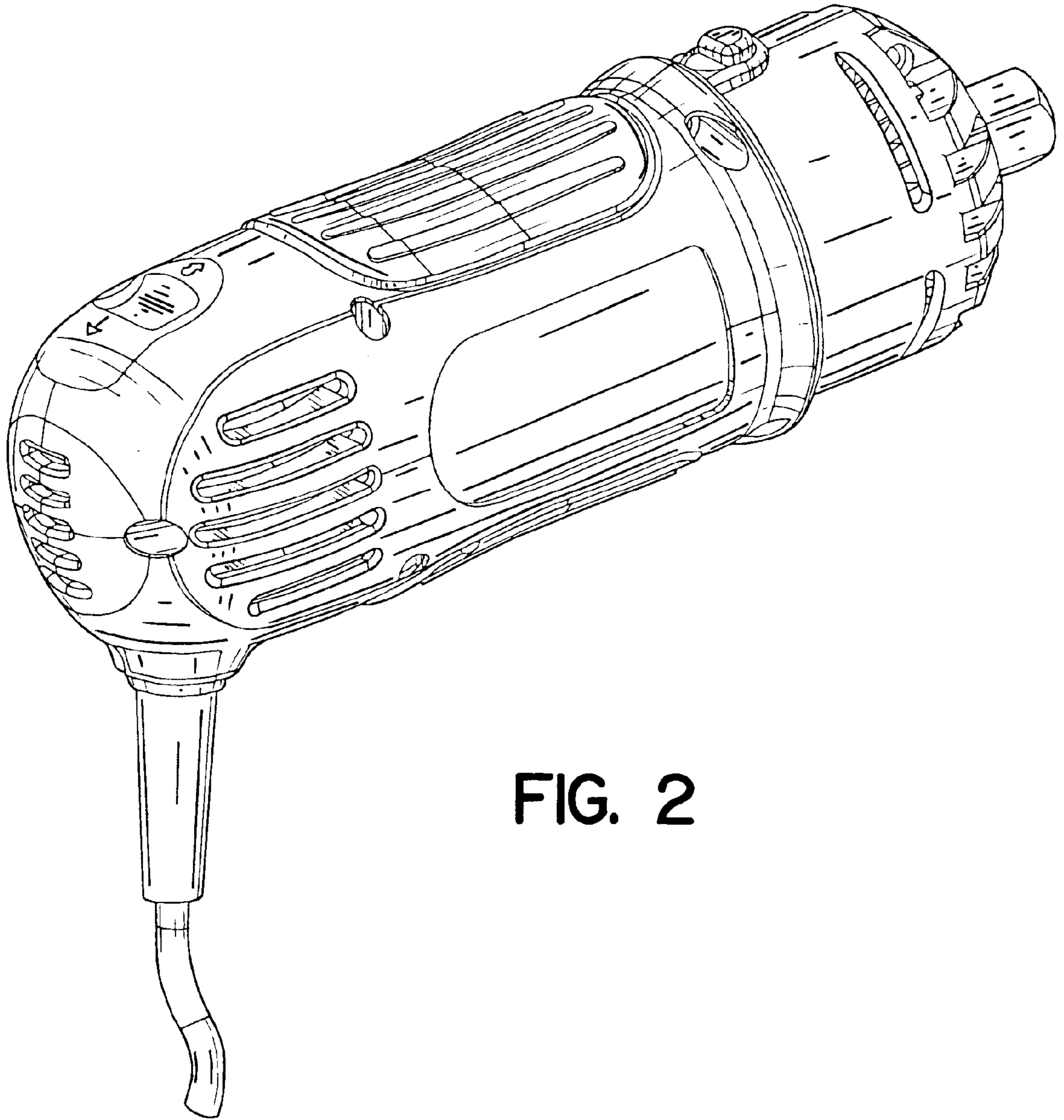


FIG. 2

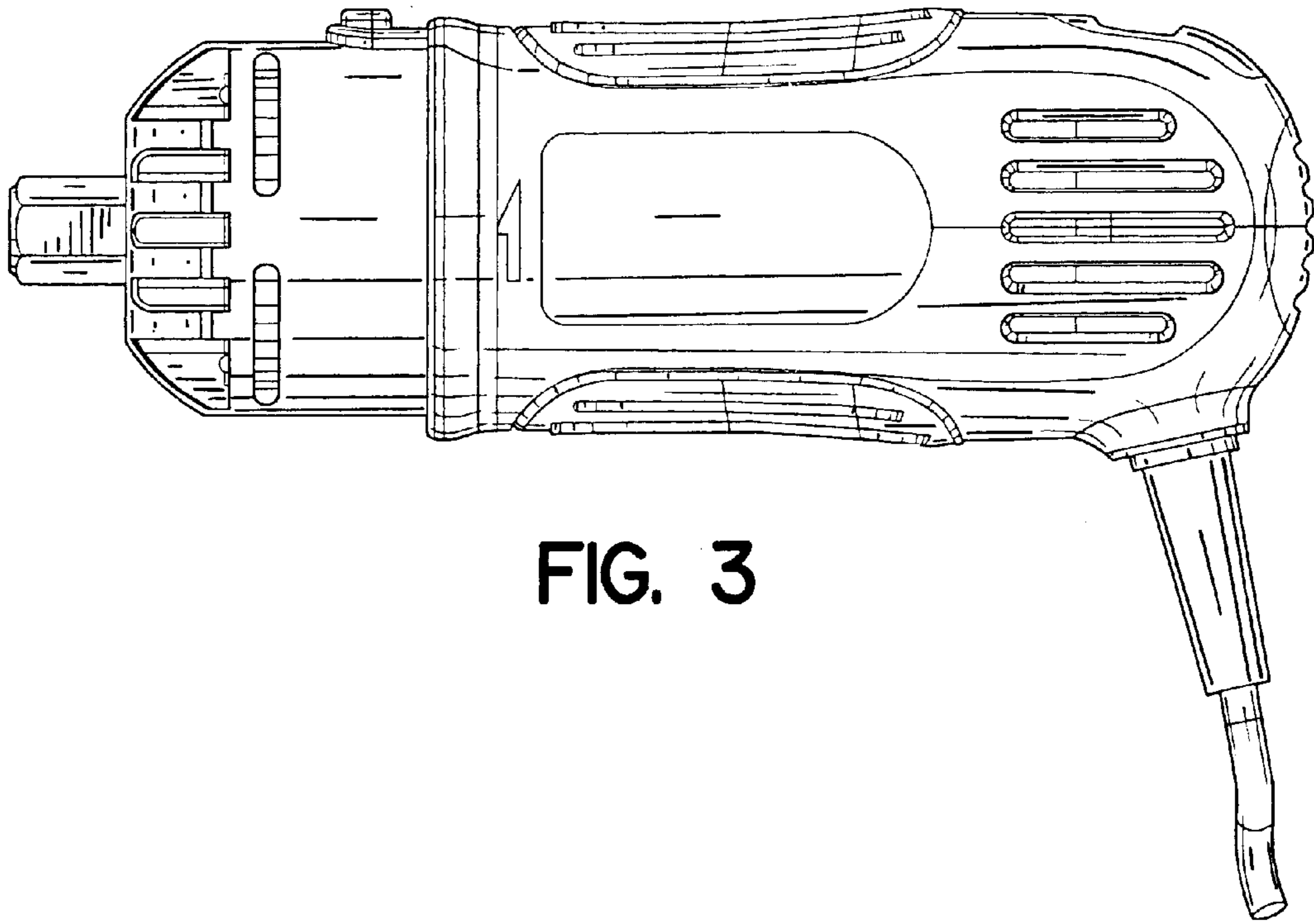


FIG. 3

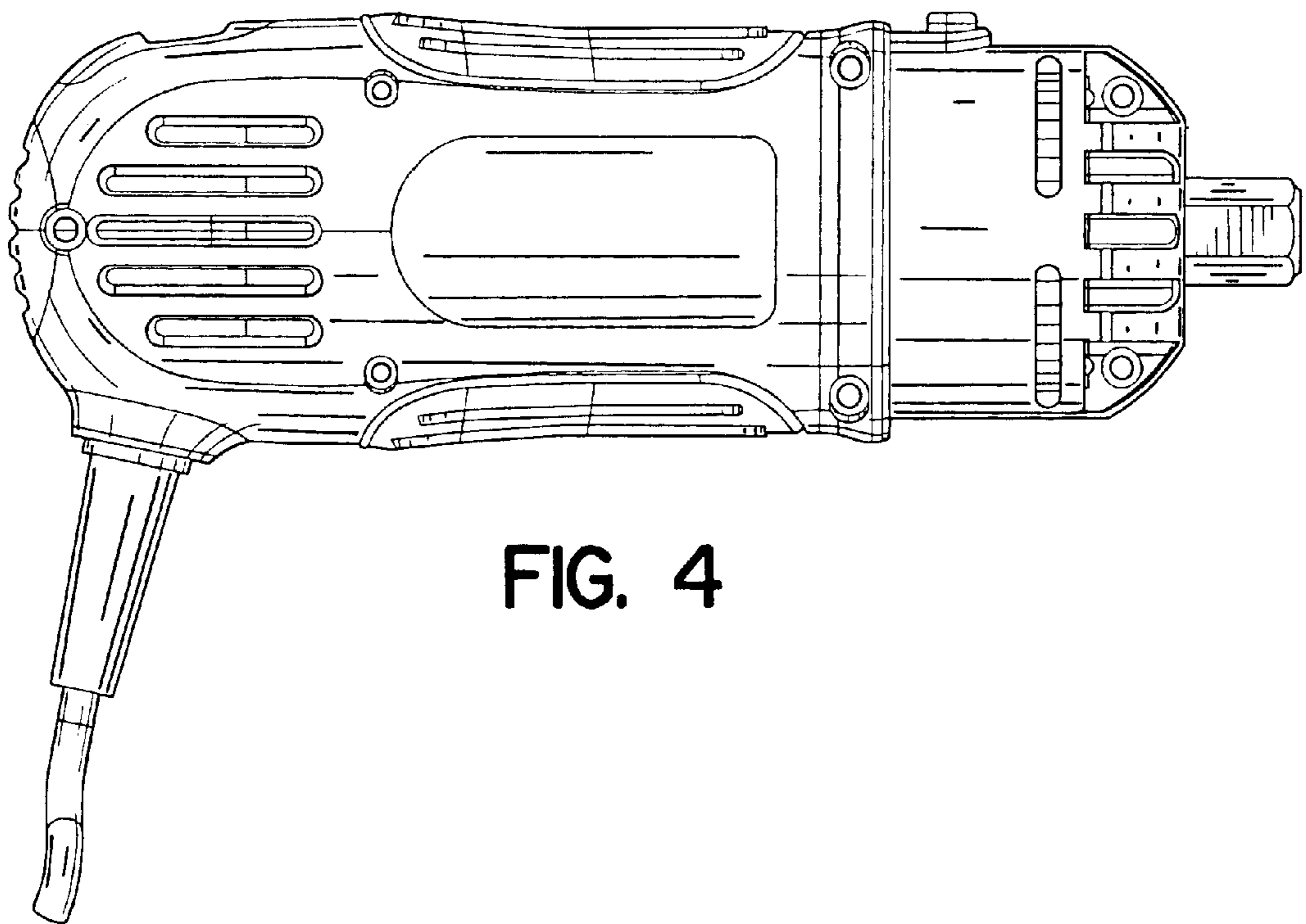


FIG. 4

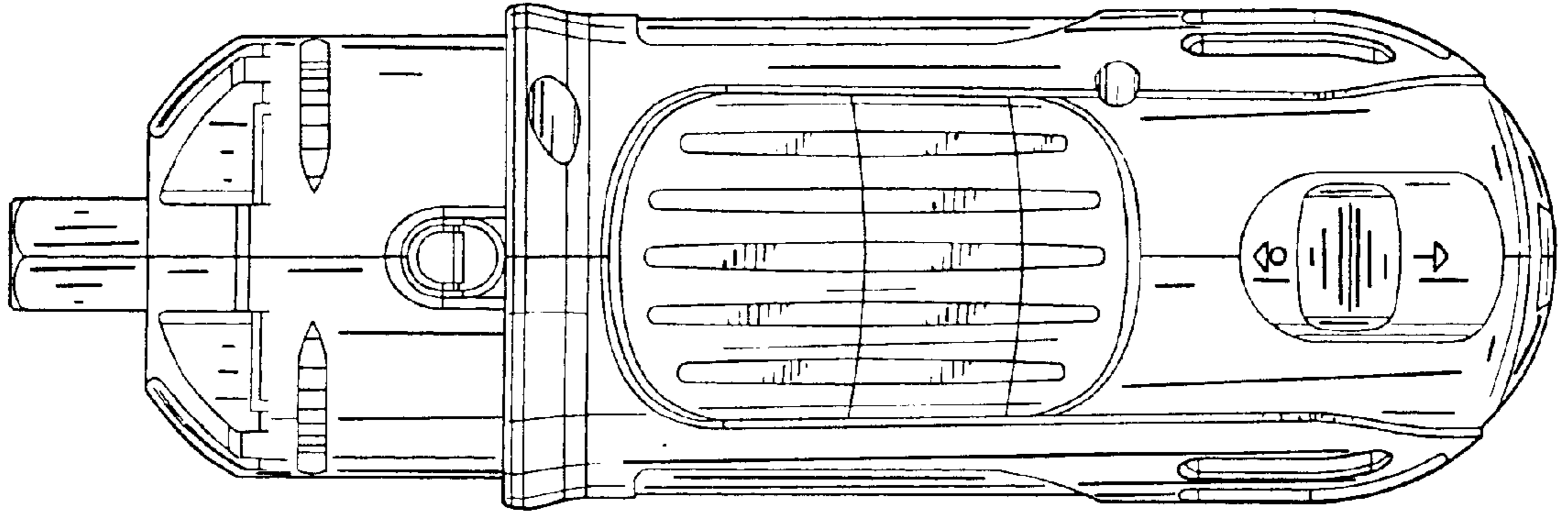


FIG. 5

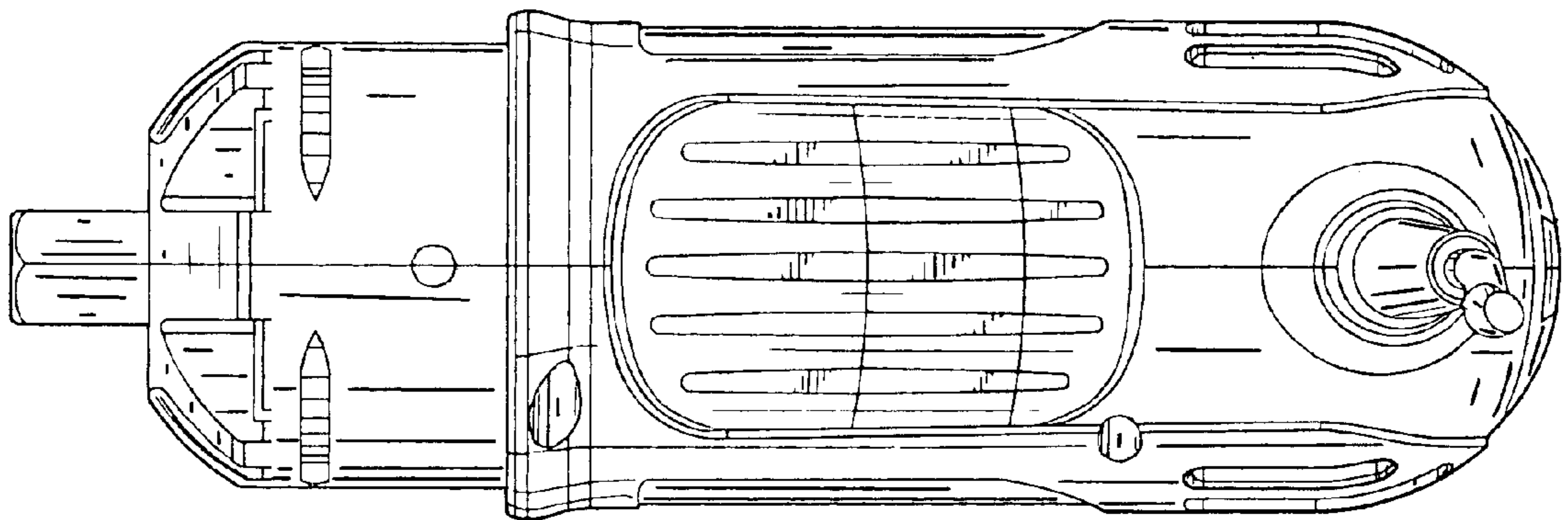


FIG. 6

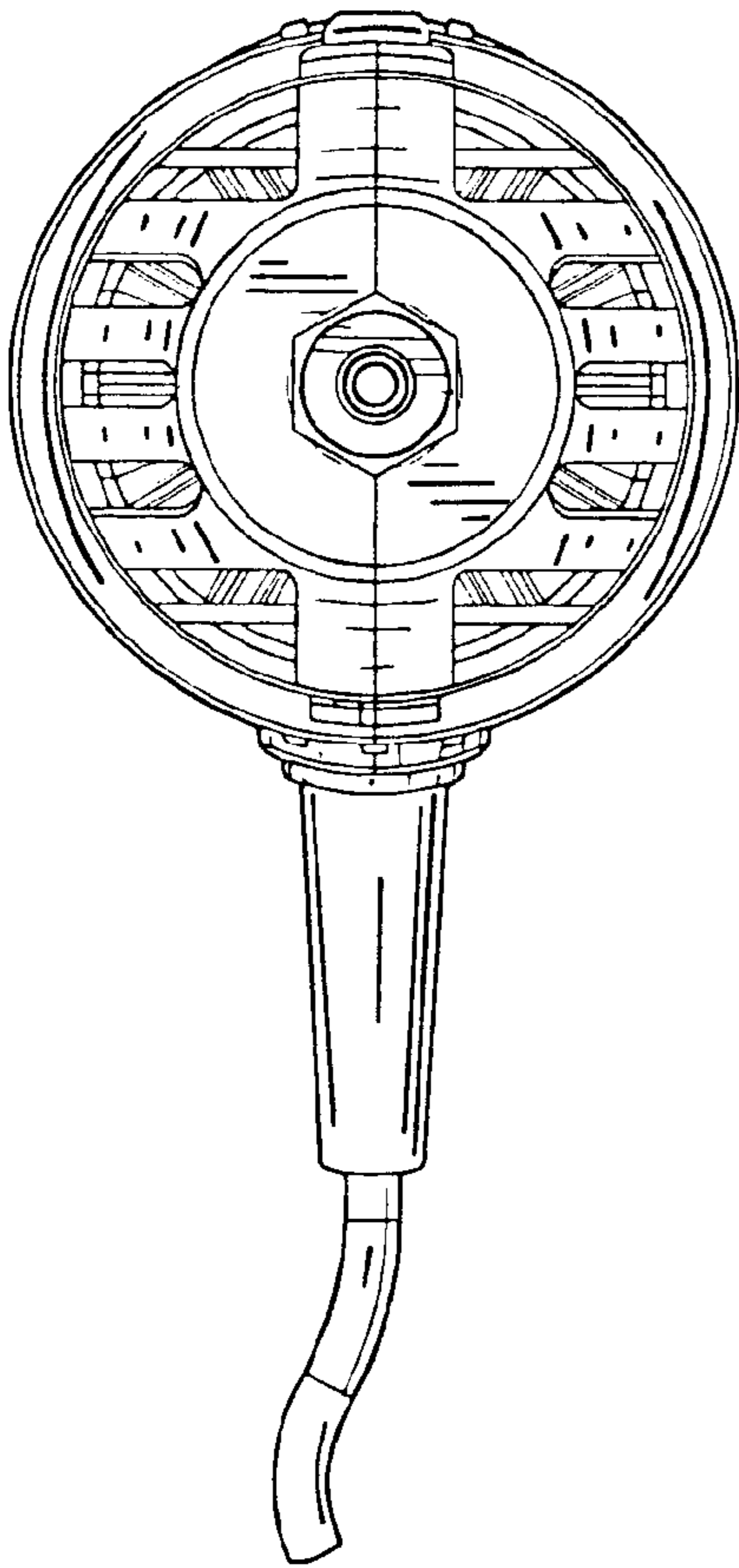


FIG. 7

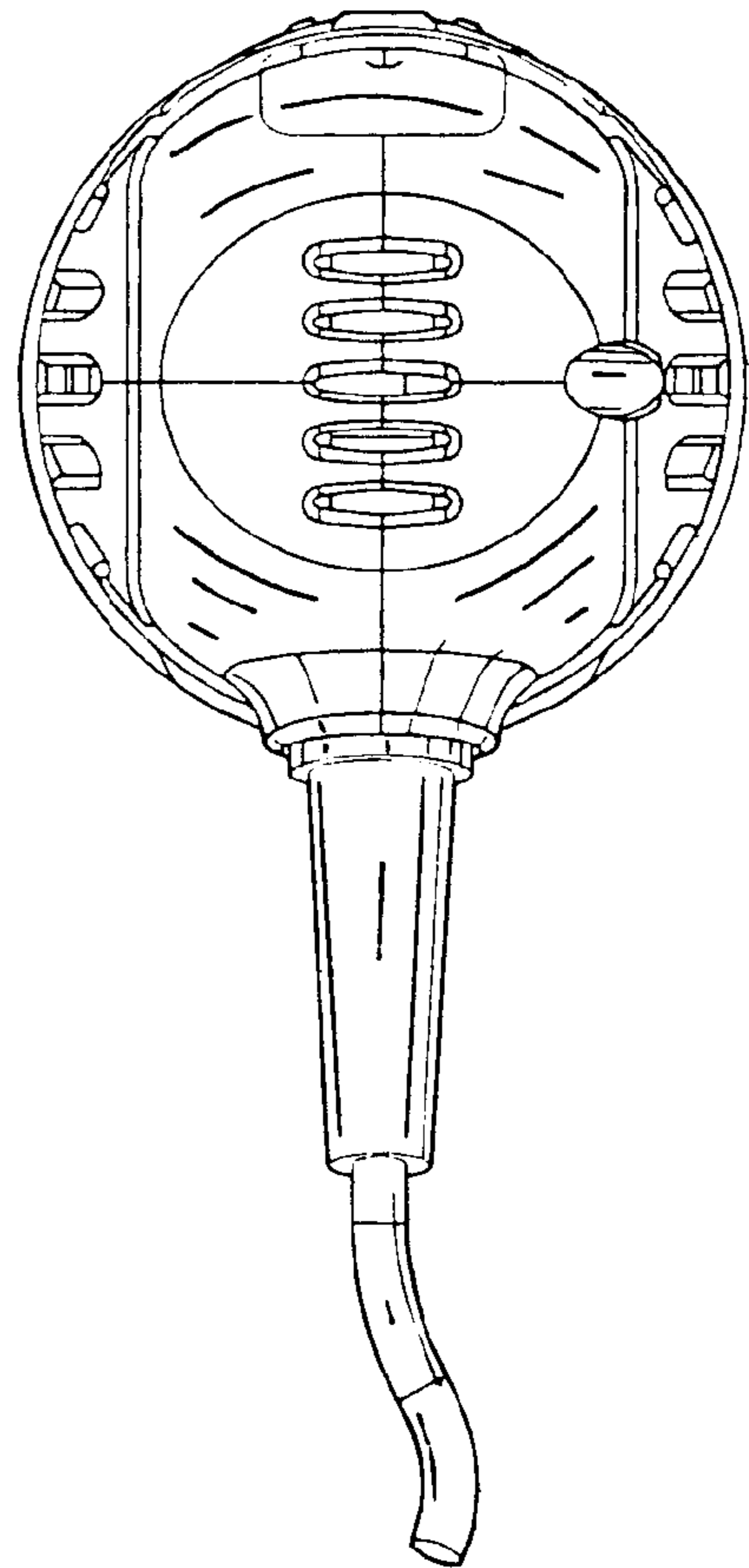


FIG. 8