



US00D478255S

(12) **United States Design Patent**
Deville

(10) **Patent No.:** **US D478,255 S**

(45) **Date of Patent:** **** Aug. 12, 2003**

(54) **PRUNING SHEARS WITH LONG HANDLES**

(75) Inventor: **Antoine Deville**, Le Viel-Bauge (FR)

(73) Assignee: **Deville S.A.**, Bauge (FR)

(**) Term: **14 Years**

(21) Appl. No.: **29/166,450**

(22) Filed: **Aug. 27, 2002**

(30) **Foreign Application Priority Data**

Feb. 27, 2002 (FR) 02 1401

(51) **LOC (7) Cl.** **08-01**

(52) **U.S. Cl.** **D8/5**

(58) **Field of Search** D8/5, 8, 7, 4,
D8/1; 30/261, 262, 250-254, 266, 271

(56) **References Cited**

U.S. PATENT DOCUMENTS

D344,219 S	*	2/1994	Wensley et al.	D8/5
D347,556 S	*	6/1994	Choi	D8/5
D357,390 S	*	4/1995	Thompson et al.	D8/5
D386,369 S	*	11/1997	Lin	D8/5

* cited by examiner

Primary Examiner—Pamela Burgess

(74) *Attorney, Agent, or Firm*—Abelman, Frayne & Schwab

(57) **CLAIM**

The ornamental design for pruning shears with long handles, as shown and described.

DESCRIPTION

FIG. 1 is a left side perspective view of pruning shears with long handles showing my new design;

FIG. 2 is a right side perspective view thereof;

FIG. 3 is a top plan view thereof;

FIG. 4 is a front elevation side view thereof;

FIG. 5 is a rear view thereof;

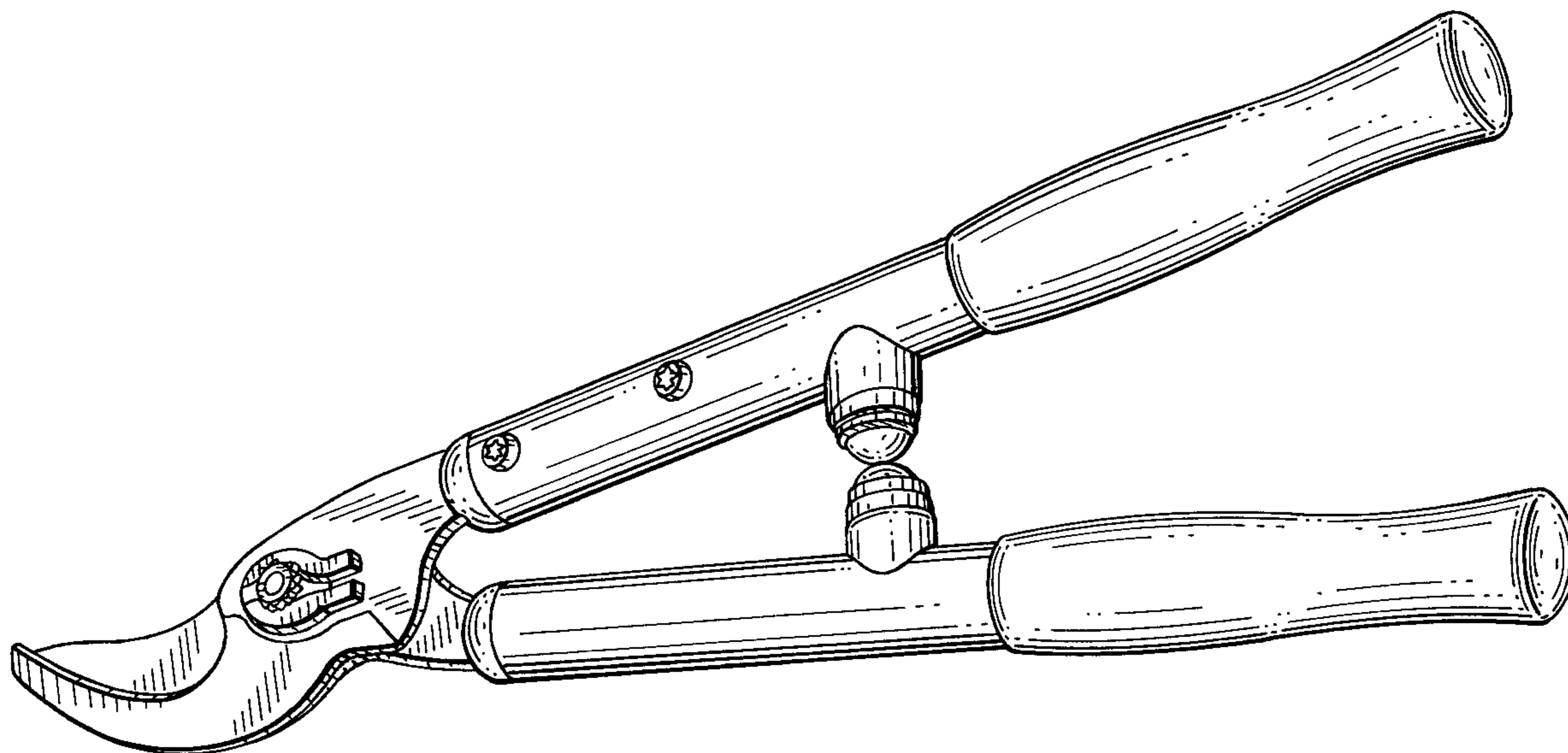
FIG. 6 is a bottom view thereof;

FIG. 7 is an enlarged left side elevational view showing the blade portion broken away for clarity of disclosure; and,

FIG. 8 is a right side elevational view thereof.

It is understood that the broken lines shown in FIGS. 7 and 8 represent the brake-away location of the blade portion of the claimed design.

1 Claim, 5 Drawing Sheets



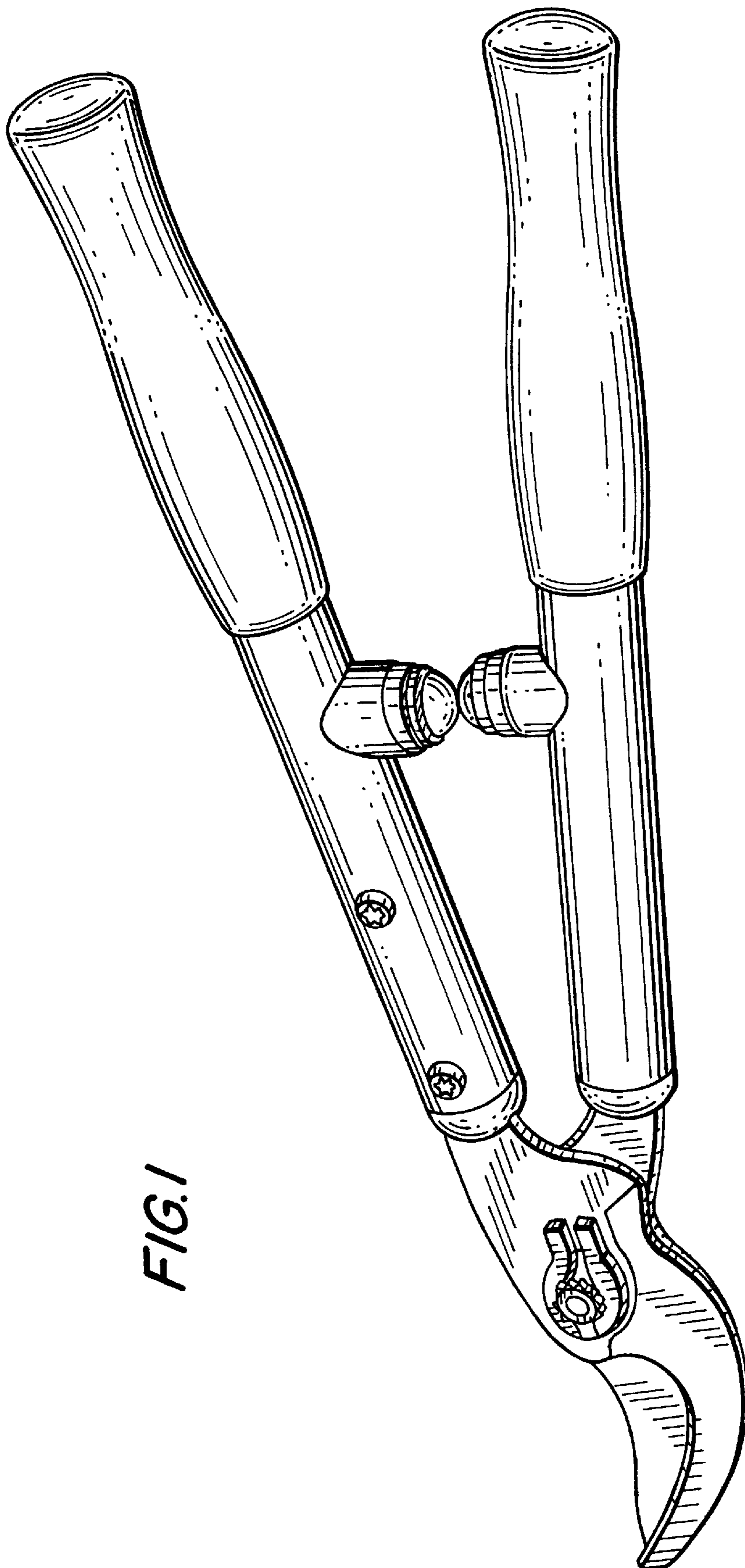
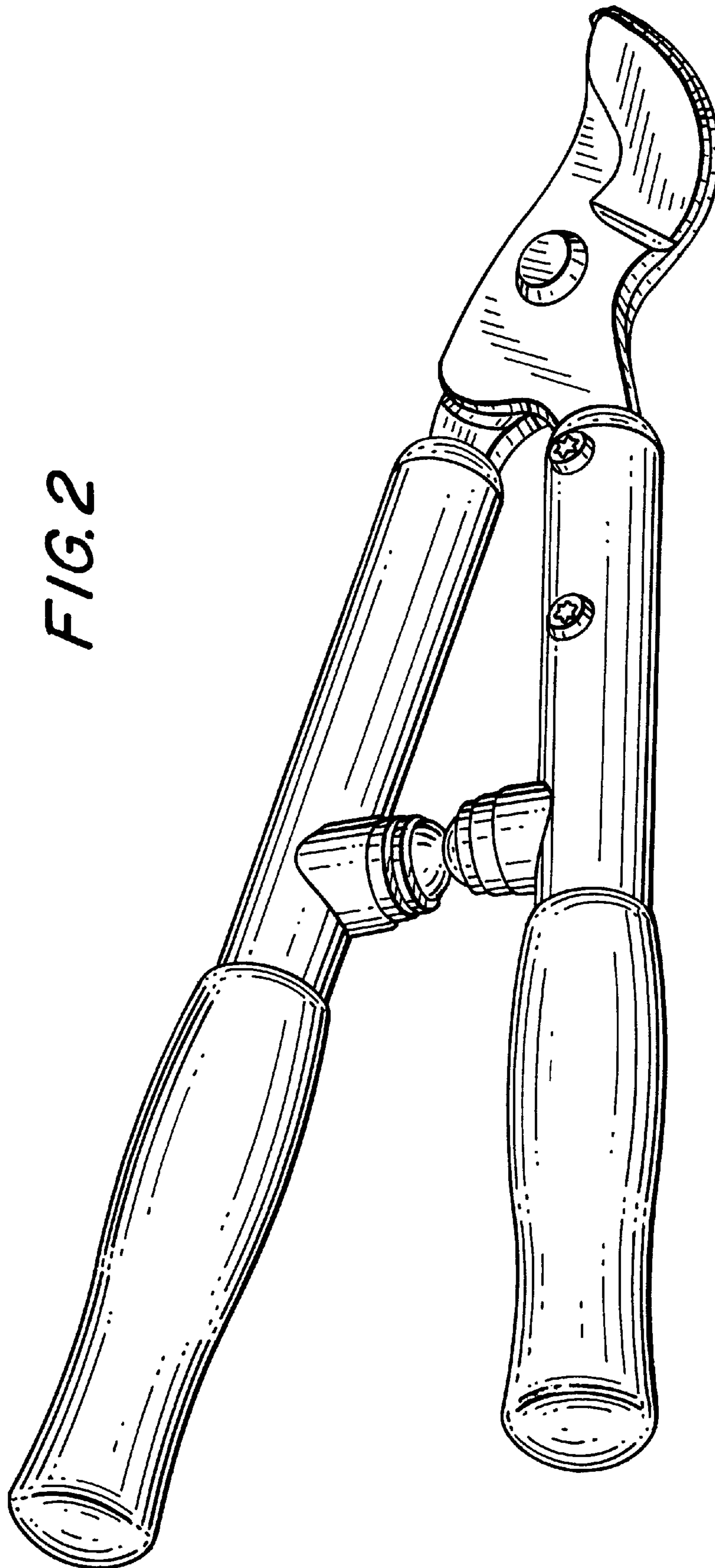


FIG. 1

FIG. 2



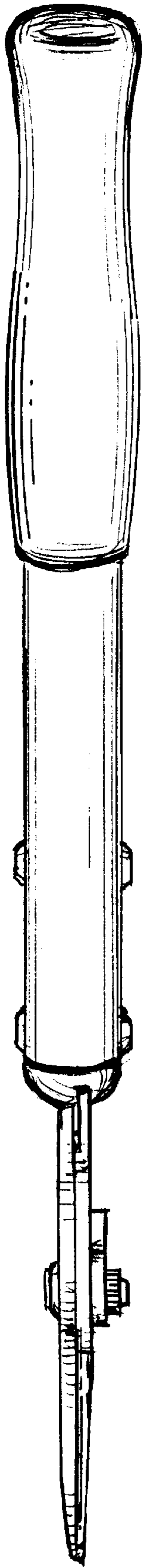


FIG. 3

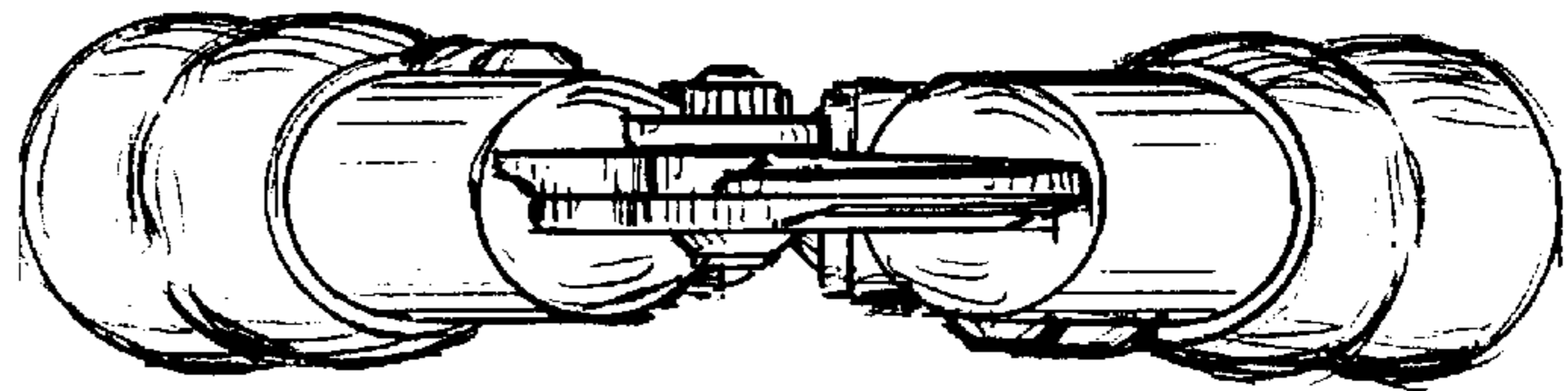


FIG. 4

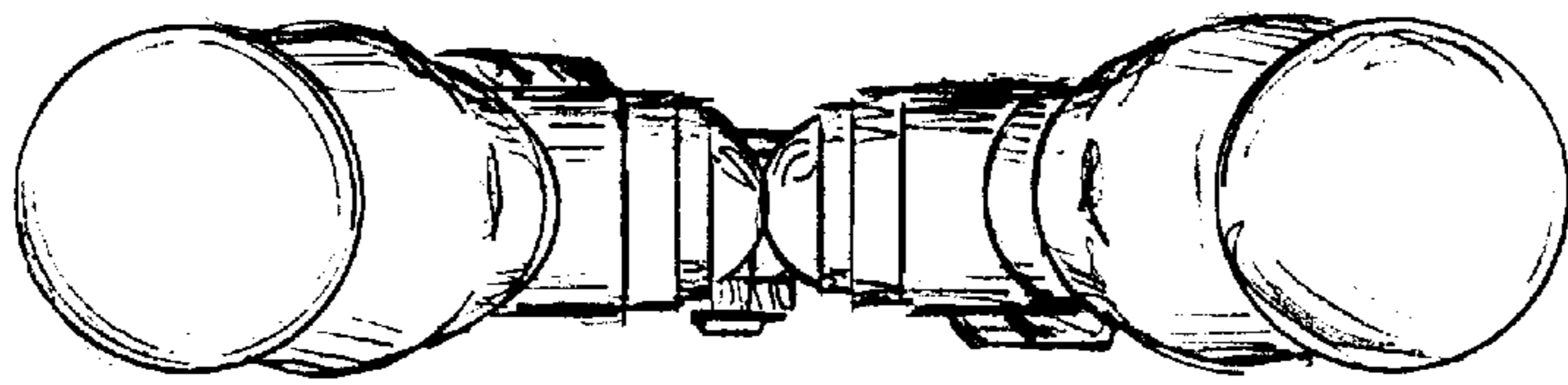
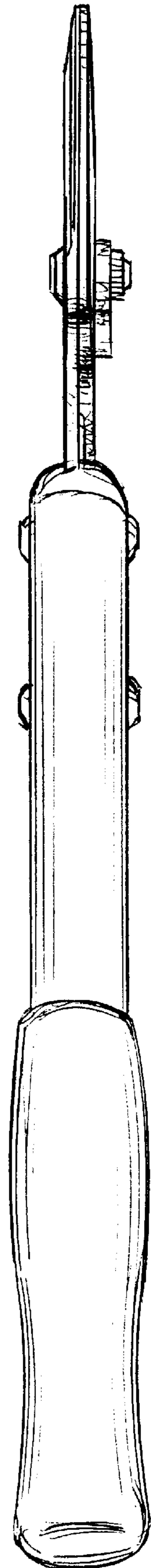


FIG. 5

FIG. 6



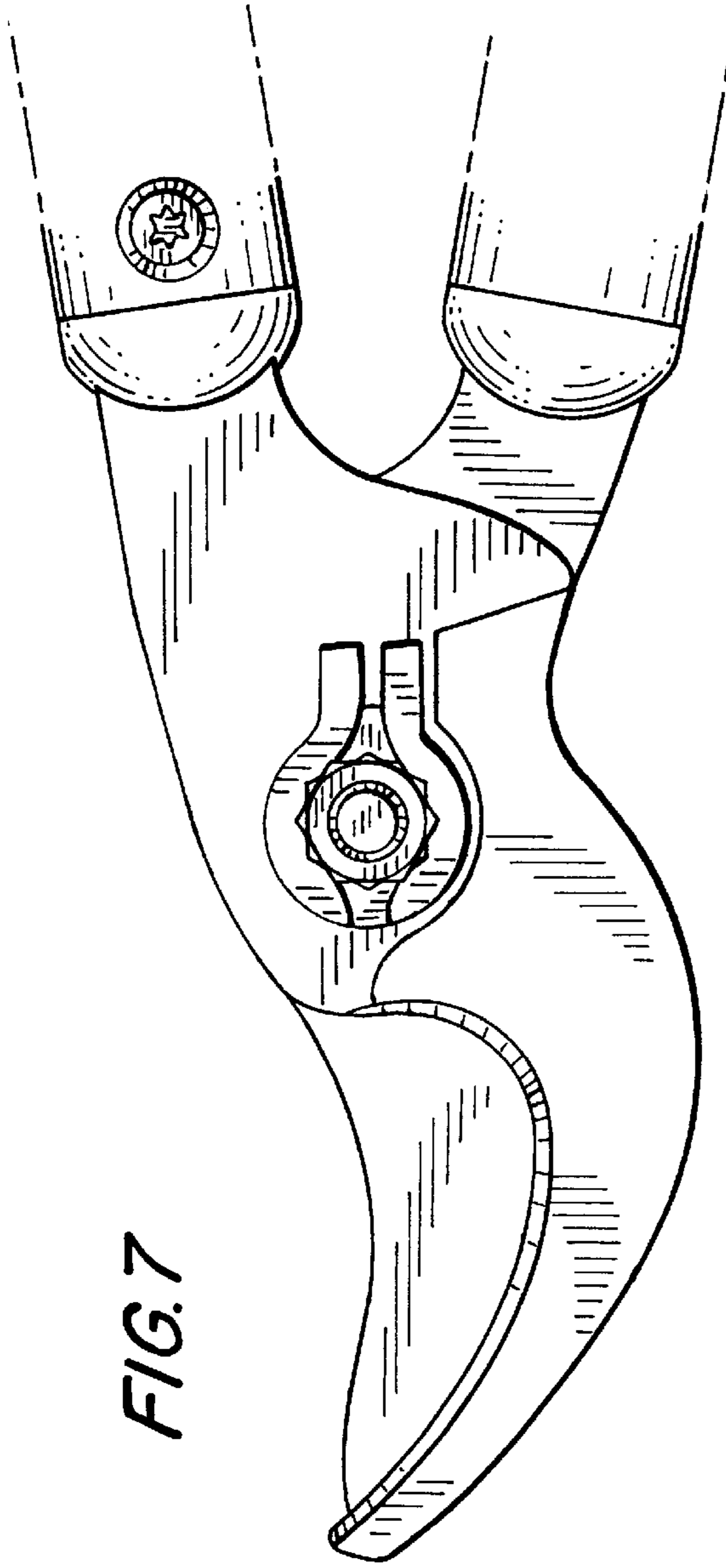


FIG. 7

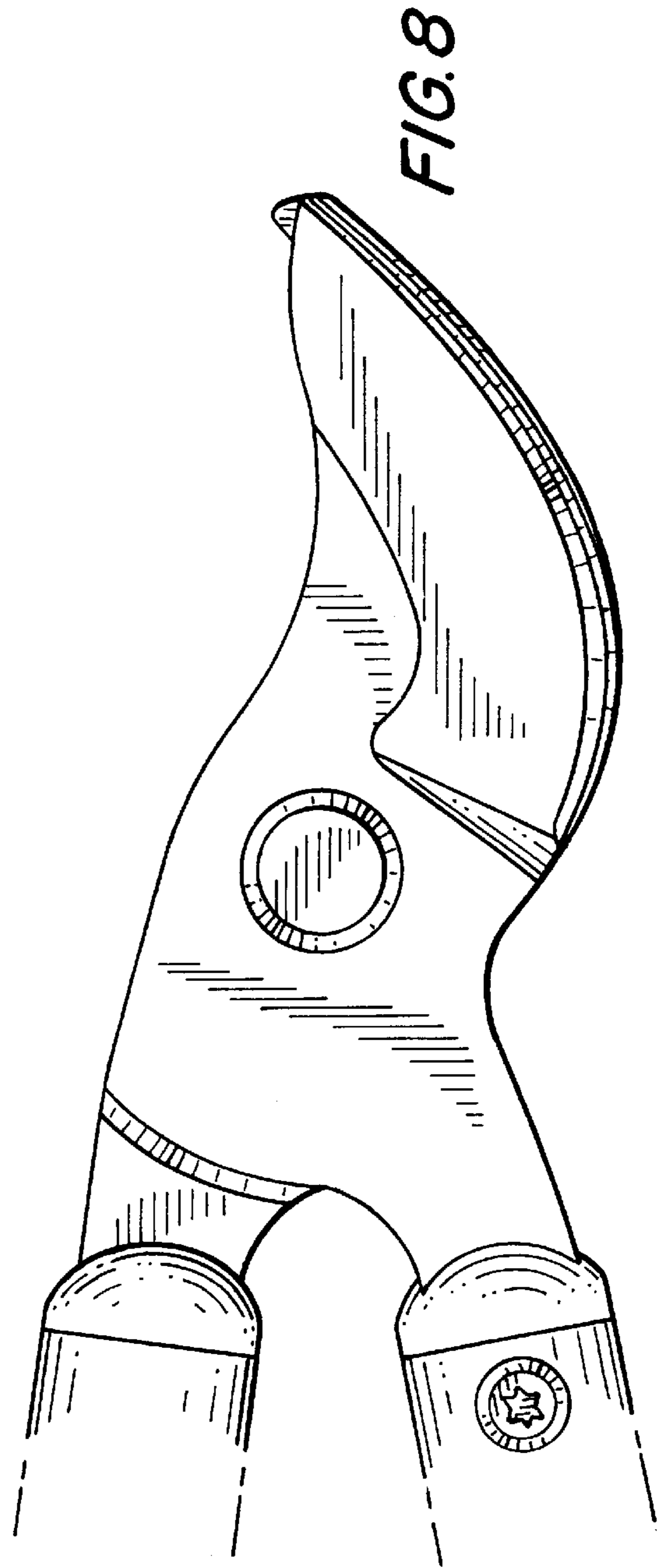


FIG. 8