



US00D478251S

(12) **United States Design Patent**
Frank

(10) **Patent No.:** **US D478,251 S**

(45) **Date of Patent:** **** Aug. 12, 2003**

(54) **CUP**

(75) **Inventor:** **Helmut Frank, Mettlach-Weiden (DE)**

(73) **Assignee:** **Villeroy & Boch AG, Mettlach (DE)**

(**) **Term:** **14 Years**

(21) **Appl. No.:** **29/170,058**

(22) **Filed:** **Oct. 31, 2002**

(30) **Foreign Application Priority Data**

Aug. 2, 2002 (WO) DM/060 953

(51) **LOC (7) Cl.** **07-01**

(52) **U.S. Cl.** **D7/535; D7/536**

(58) **Field of Search** D7/533, 536, 535,
D7/509, 539, 622; D9/531; 220/710.5, 703,
713; 215/394, 398; 229/400

(56) **References Cited**

U.S. PATENT DOCUMENTS

1,985,375	A	*	12/1934	Krueger	229/400
D153,887	S	*	5/1949	Macaulay	D7/535
D154,217	S	*	6/1949	Roberts	D7/535
2,586,199	A	*	2/1952	Backus	220/710.5
D168,218	S	*	11/1952	Falk	D7/535
D169,235	S	*	4/1953	Backus	D7/535
2,641,403	A	*	6/1953	Buttery et al.	229/402
2,661,609	A	*	12/1953	Revell	220/710.5

4,685,583	A	*	8/1987	Noon	220/710.5
D315,298	S	*	3/1991	Marucci	D9/531
D316,945	S	*	5/1991	Dewey	D7/394
D316,946	S	*	5/1991	Dewey	D7/535
D347,547	S	*	6/1994	Heinrich	D7/533
5,323,928	A	*	6/1994	Stevens	220/703
D371,937	S	*	7/1996	Peugeot et al.	D7/536
D396,605	S	*	8/1998	Benson	D7/536
D442,829	S	*	5/2001	Trombly	D7/536
D477,005	S	*	8/2001	Trombly	D7/536
D449,419	S	*	10/2001	Barrett	D99/25

* cited by examiner

Primary Examiner—M. N. Pandozzi

(74) *Attorney, Agent, or Firm*—Friedrich Kueffner

(57) **CLAIM**

The ornamental design for a cup, as shown and described.

DESCRIPTION

FIG. 1 is a perspective view of a cup showing my new design;

FIG. 2 is a side view thereof;

FIG. 3 is a back view thereof;

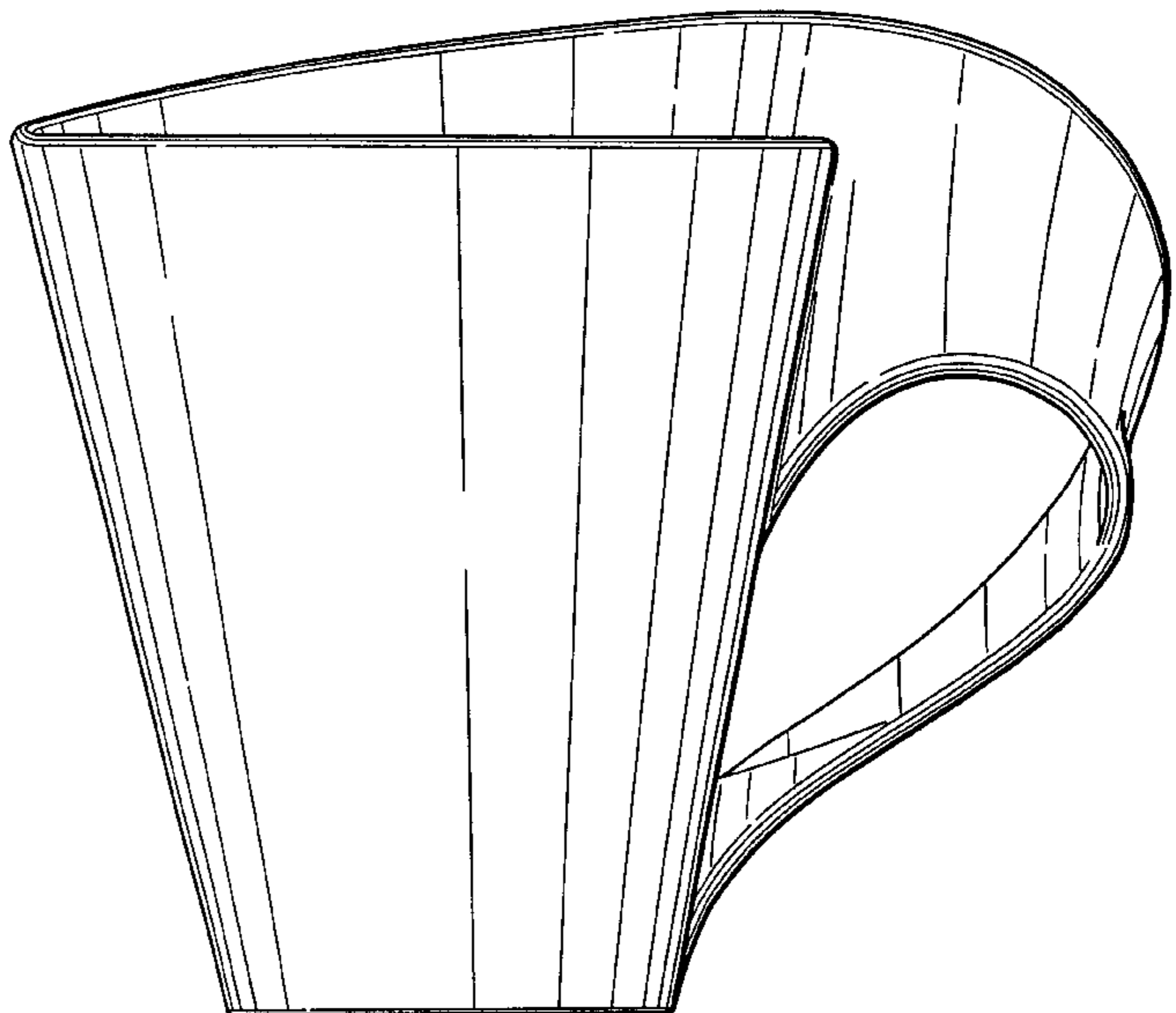
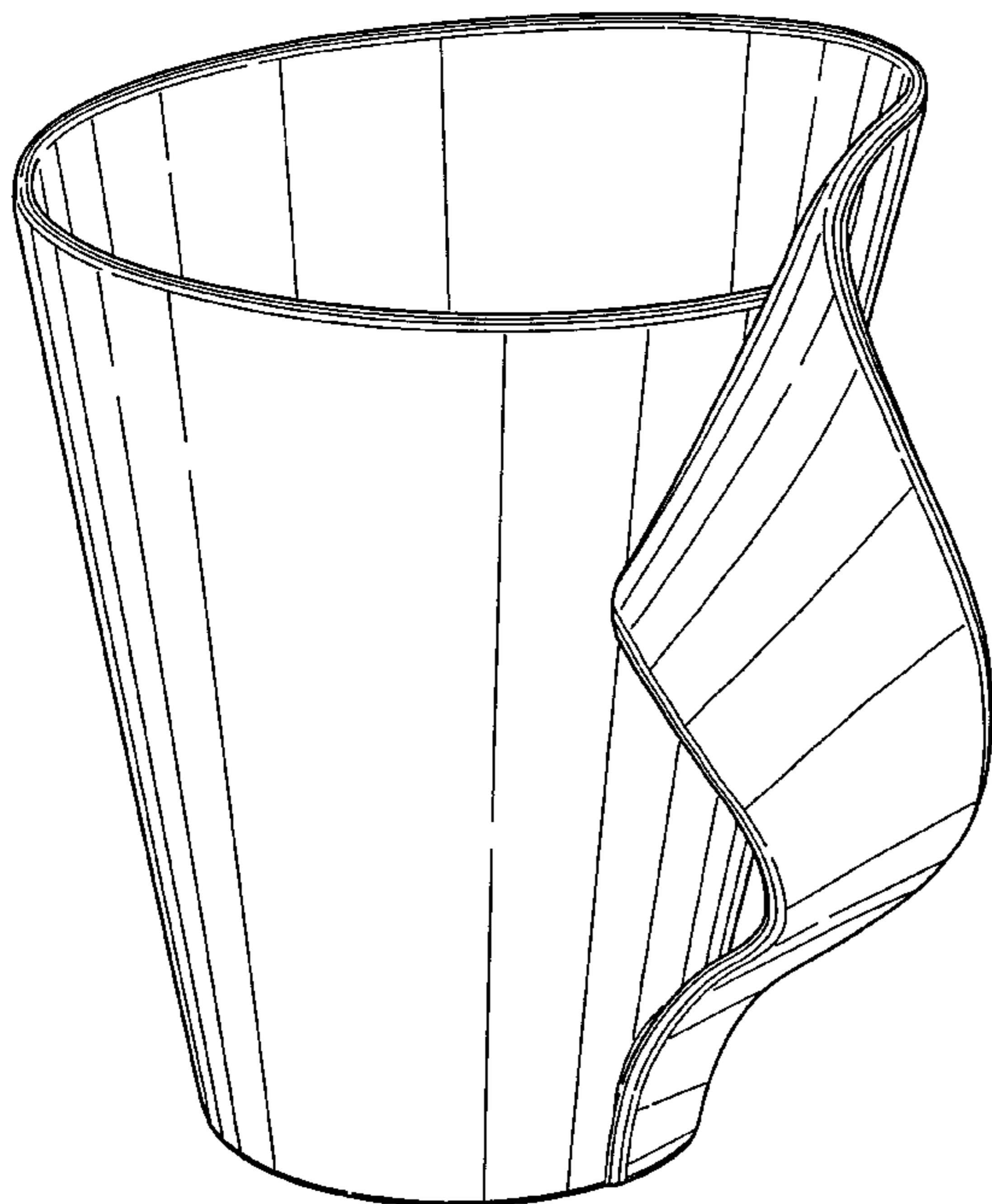
FIG. 4 is a another side view thereof;

FIG. 5 is a front view thereof;

FIG. 6 is a top view thereof; and,

FIG. 7 is a bottom view thereof.

1 Claim, 4 Drawing Sheets



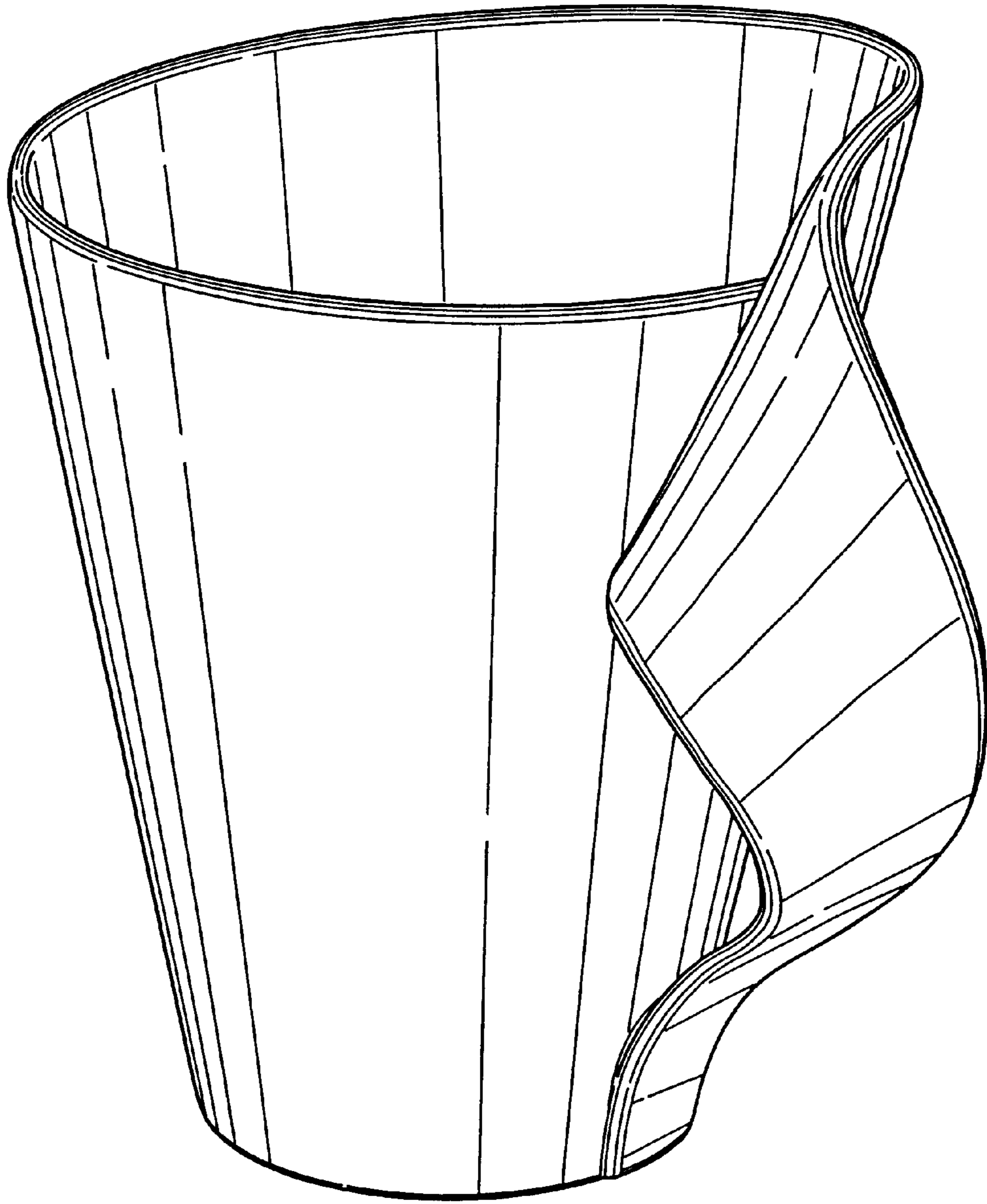


FIG. 1

FIG. 3

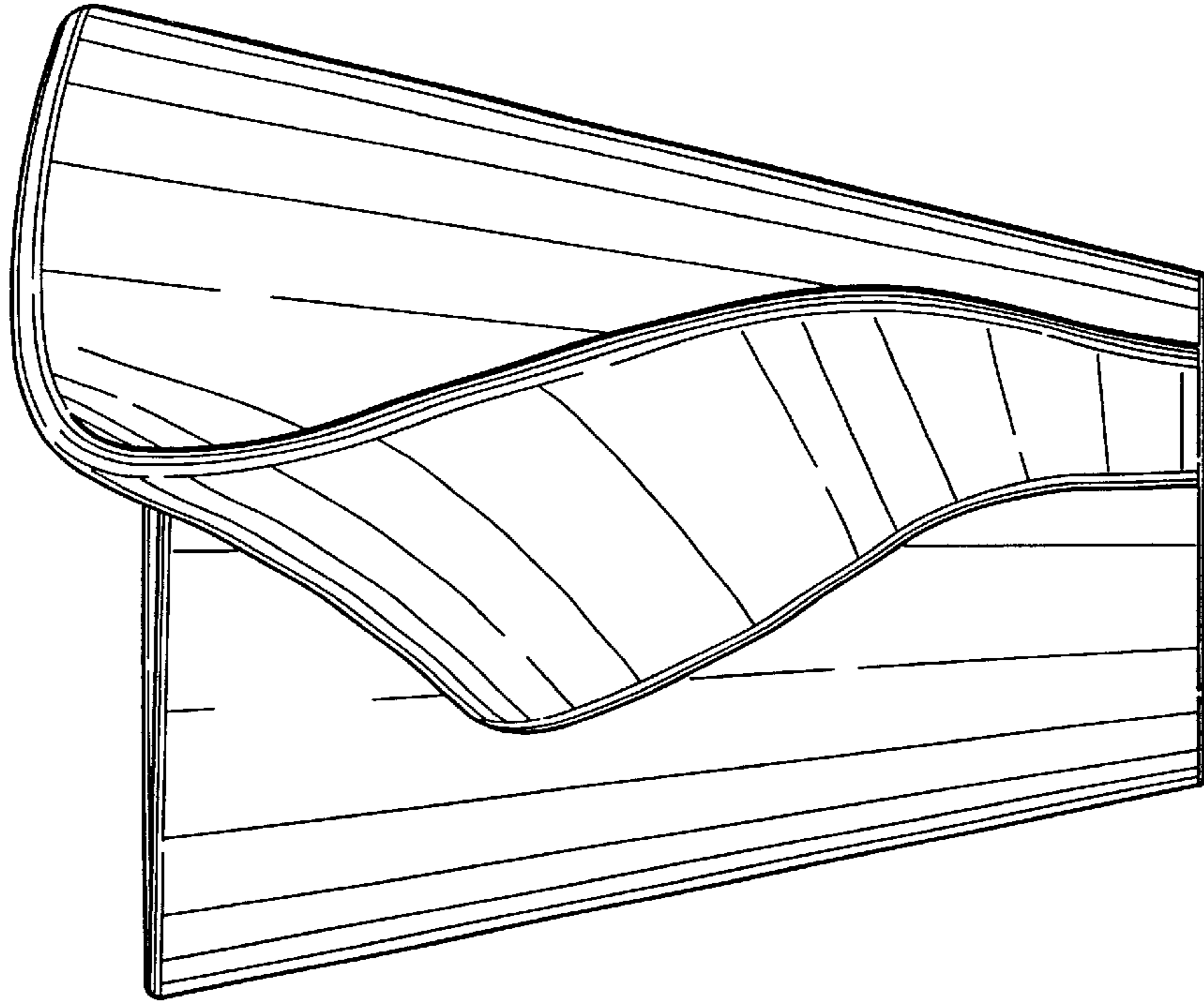


FIG. 2

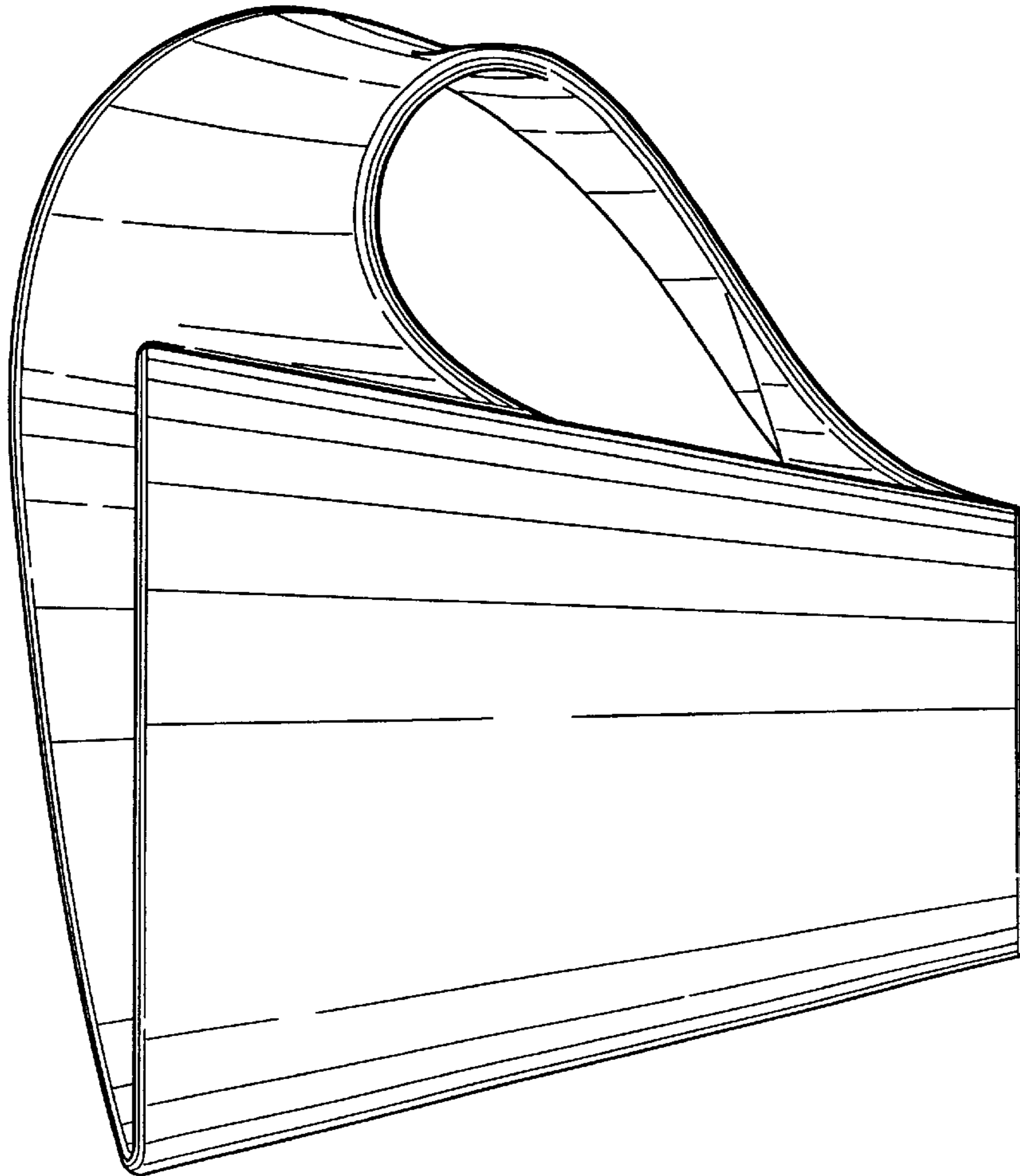


FIG. 5

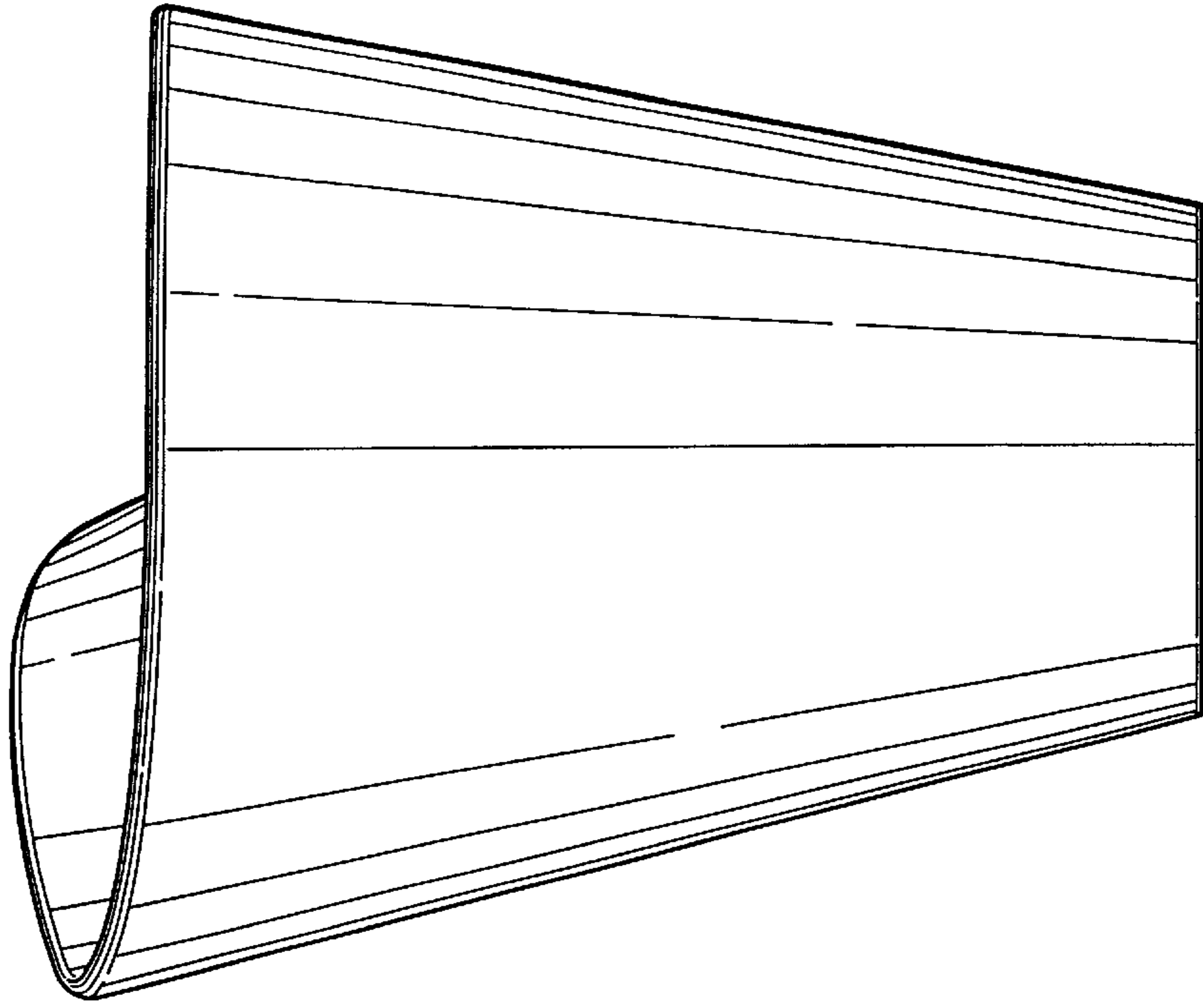


FIG. 4

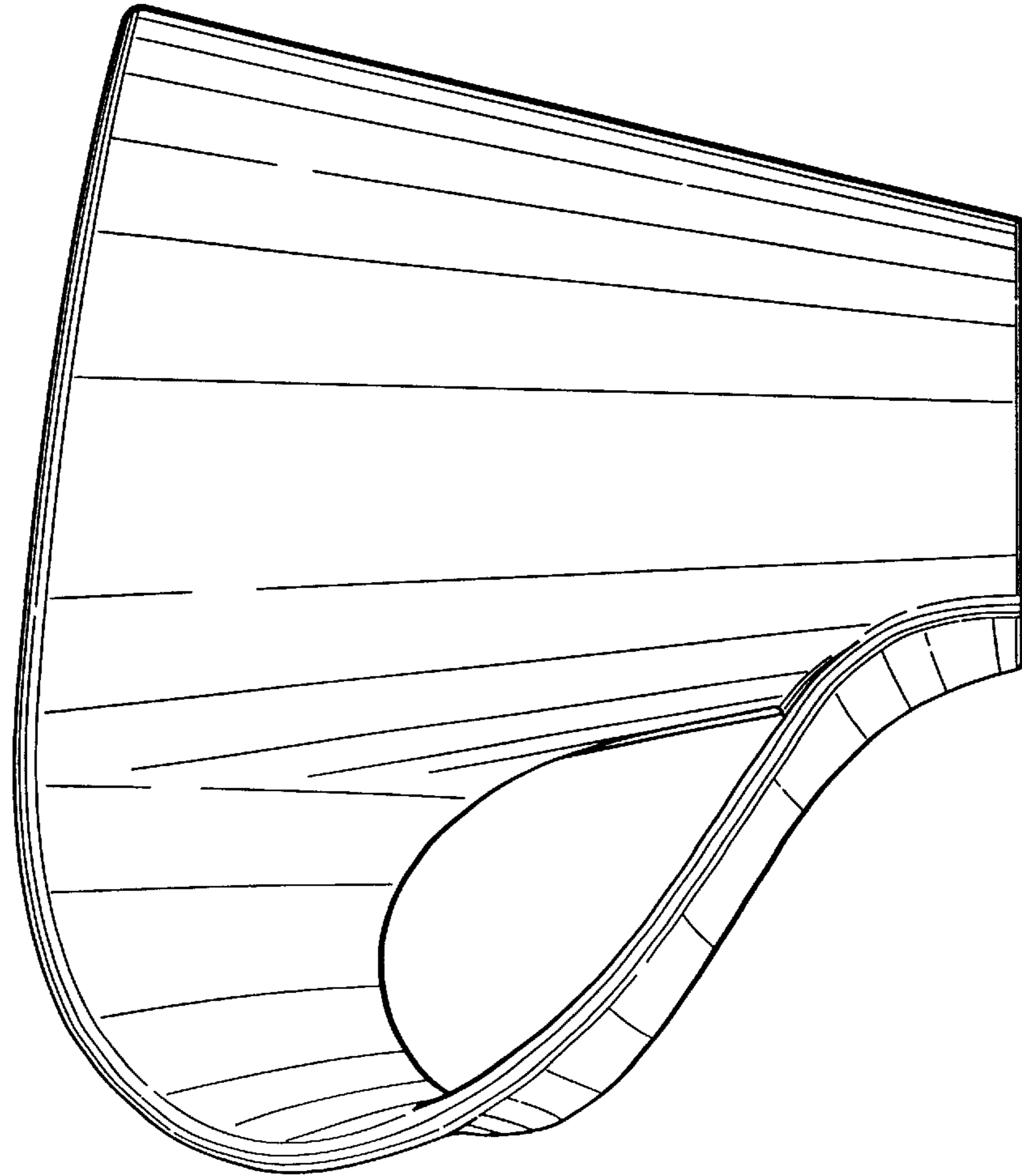


FIG. 6

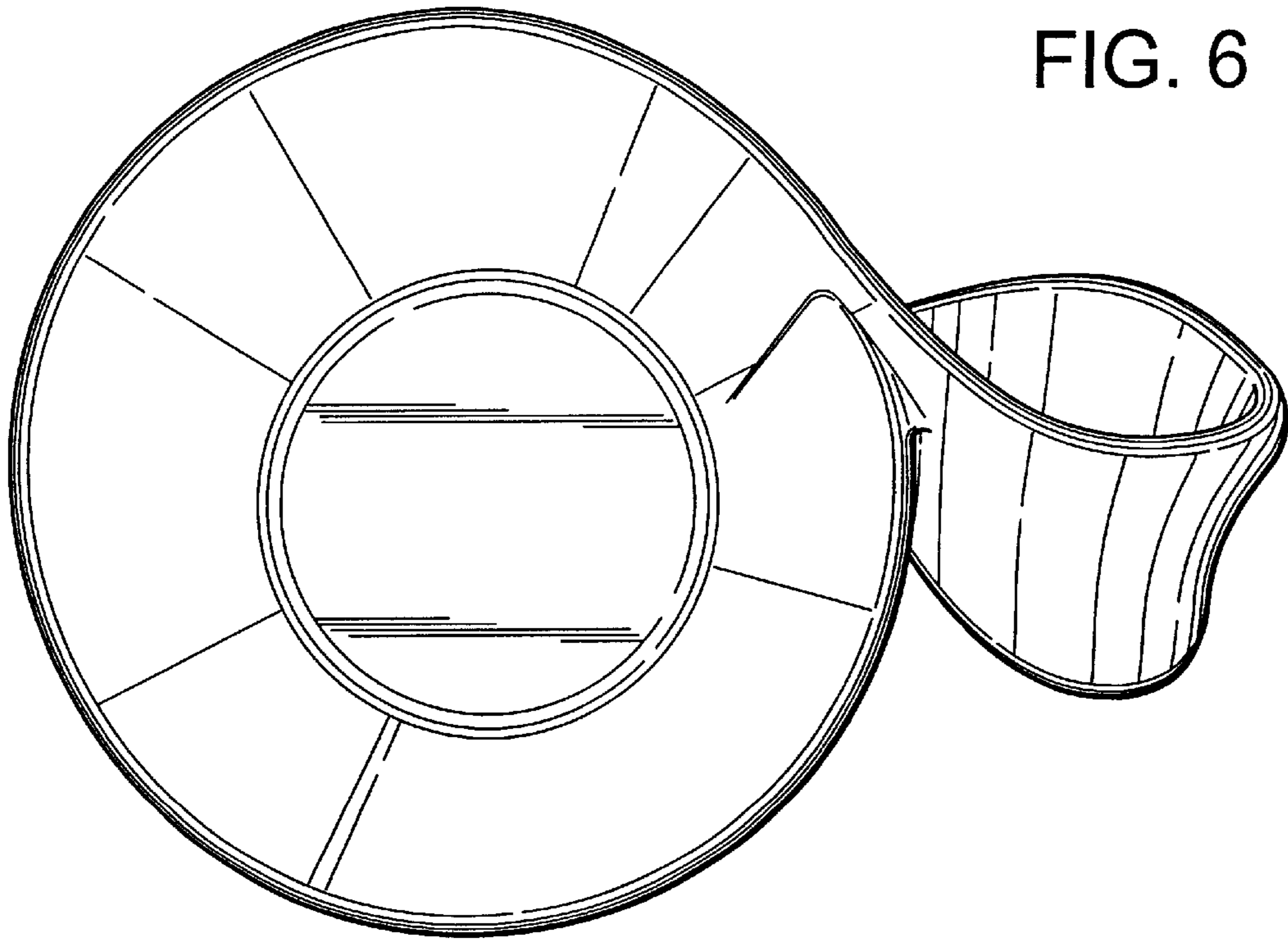


FIG. 7

