



US00D478245S

(12) **United States Design Patent**  
**Zhu**

(10) **Patent No.:** **US D478,245 S**

(45) **Date of Patent:** **\*\* Aug. 12, 2003**

(54) **ROASTER OVEN**

(75) Inventor: **Shanbao Zhu**, Shenzhen (CN)

(73) Assignee: **Shenzhan Jinwoniui Trading Co., Ltd.**  
(CN)

(\*\*) Term: **14 Years**

(21) Appl. No.: **29/163,610**

(22) Filed: **Jul. 9, 2002**

(30) **Foreign Application Priority Data**

Jan. 22, 2002 (CN) ..... 02 3 21517

(51) **LOC (7) Cl.** ..... **07-02**

(52) **U.S. Cl.** ..... **D7/332**

(58) **Field of Search** ..... D7/332-337, 402-404;  
126/25 R, 25 A, 25 AA, 29-30, 9 R, 39 R,  
41 R; 99/419

(56) **References Cited**

**U.S. PATENT DOCUMENTS**

- D450,525 S \* 11/2001 Giebel et al. .... D7/334
- D454,276 S \* 3/2002 Pai ..... D7/334
- D455,039 S \* 4/2002 Pai ..... D7/334

- D459,142 S \* 6/2002 Wu ..... D7/334
- D459,938 S \* 7/2002 Pai ..... D7/334
- D460,658 S \* 7/2002 Wu ..... D7/334
- D463,709 S \* 10/2002 Bossler ..... D7/334
- D464,524 S \* 10/2002 Pai ..... D7/334
- D466,359 S \* 12/2002 Bossler et al. .... D7/334

\* cited by examiner

*Primary Examiner*—Ruth McInroy

(74) *Attorney, Agent, or Firm*—Robert F. I. Conte; Barnes & Thornburg

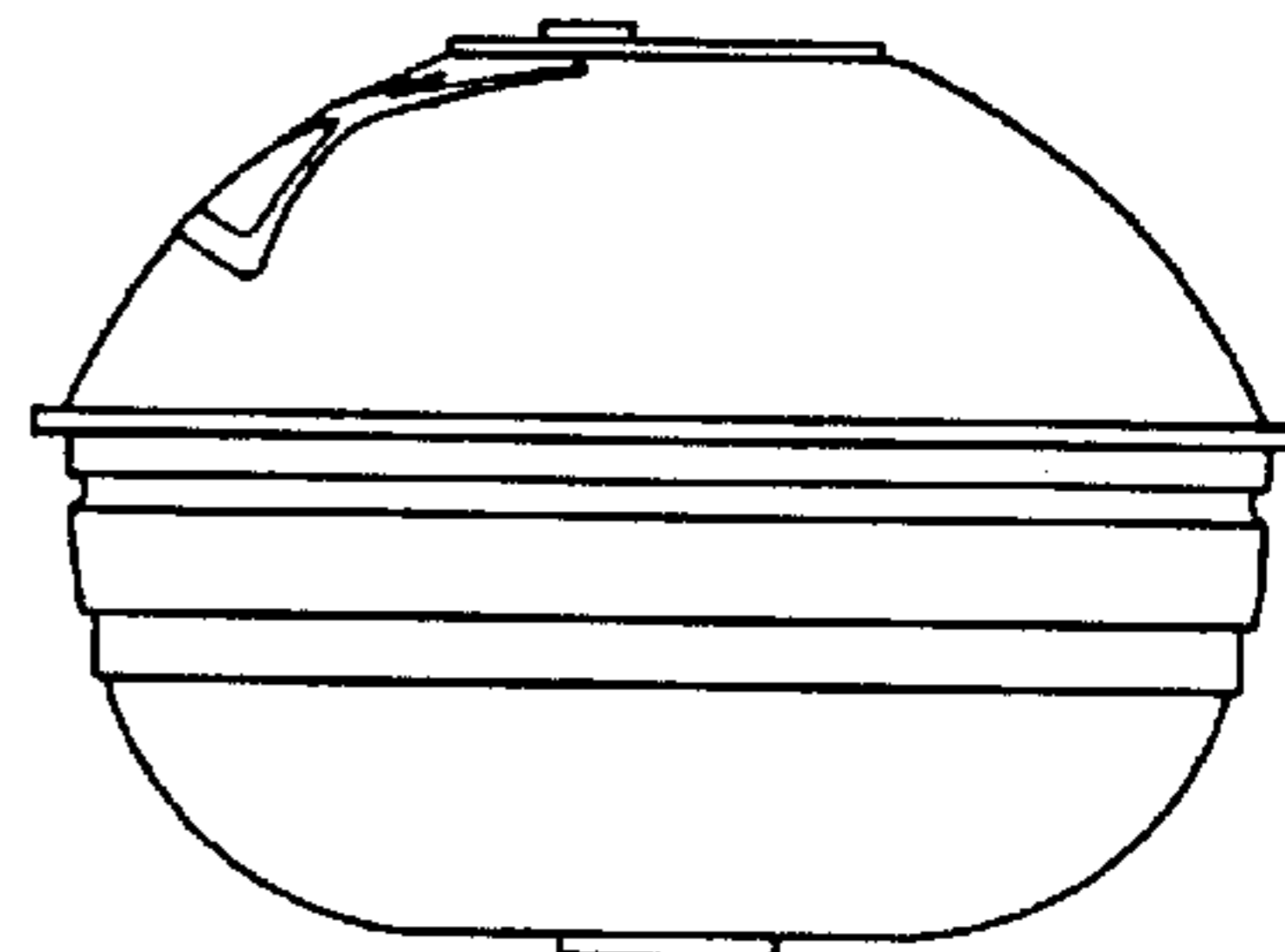
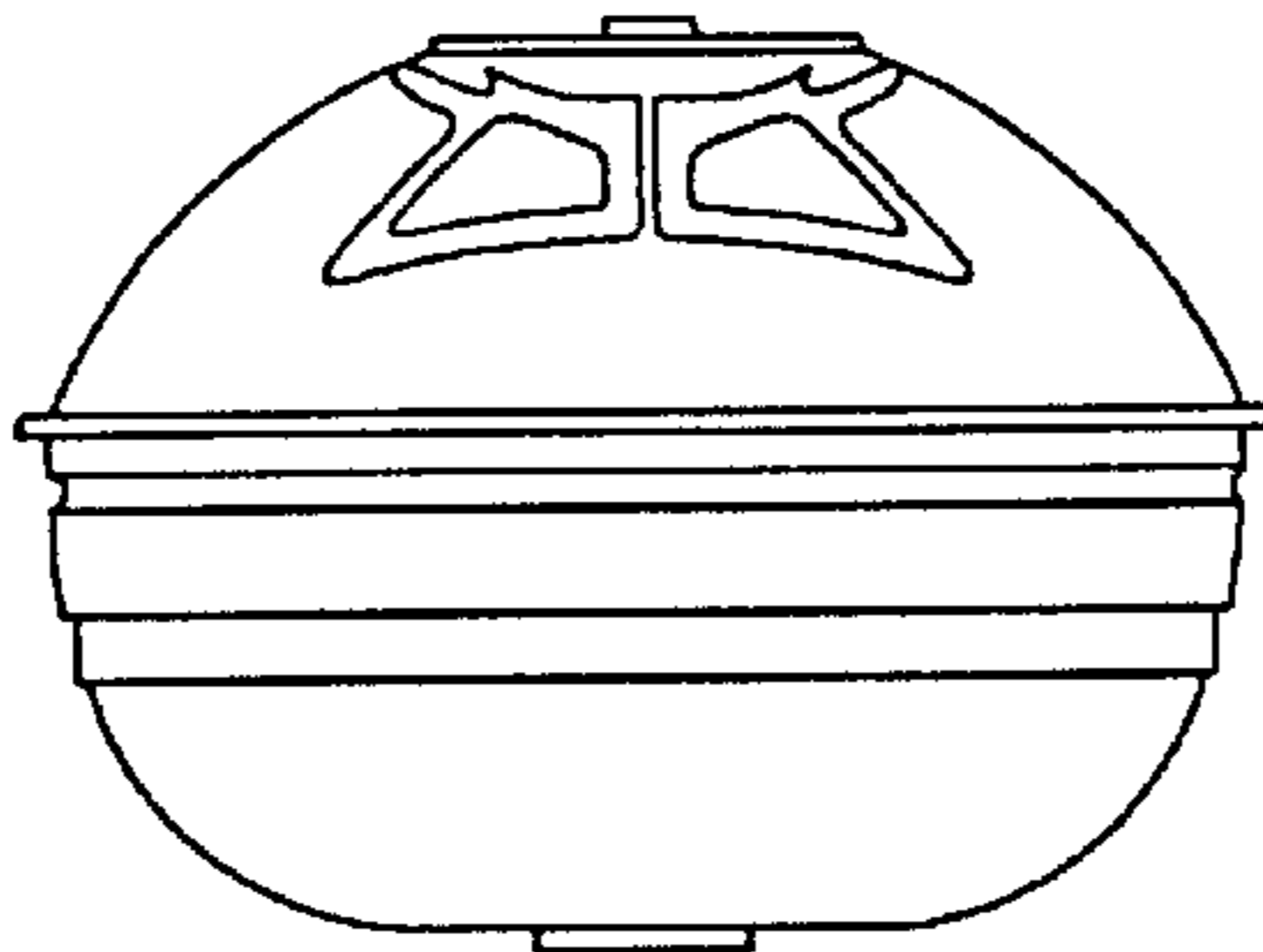
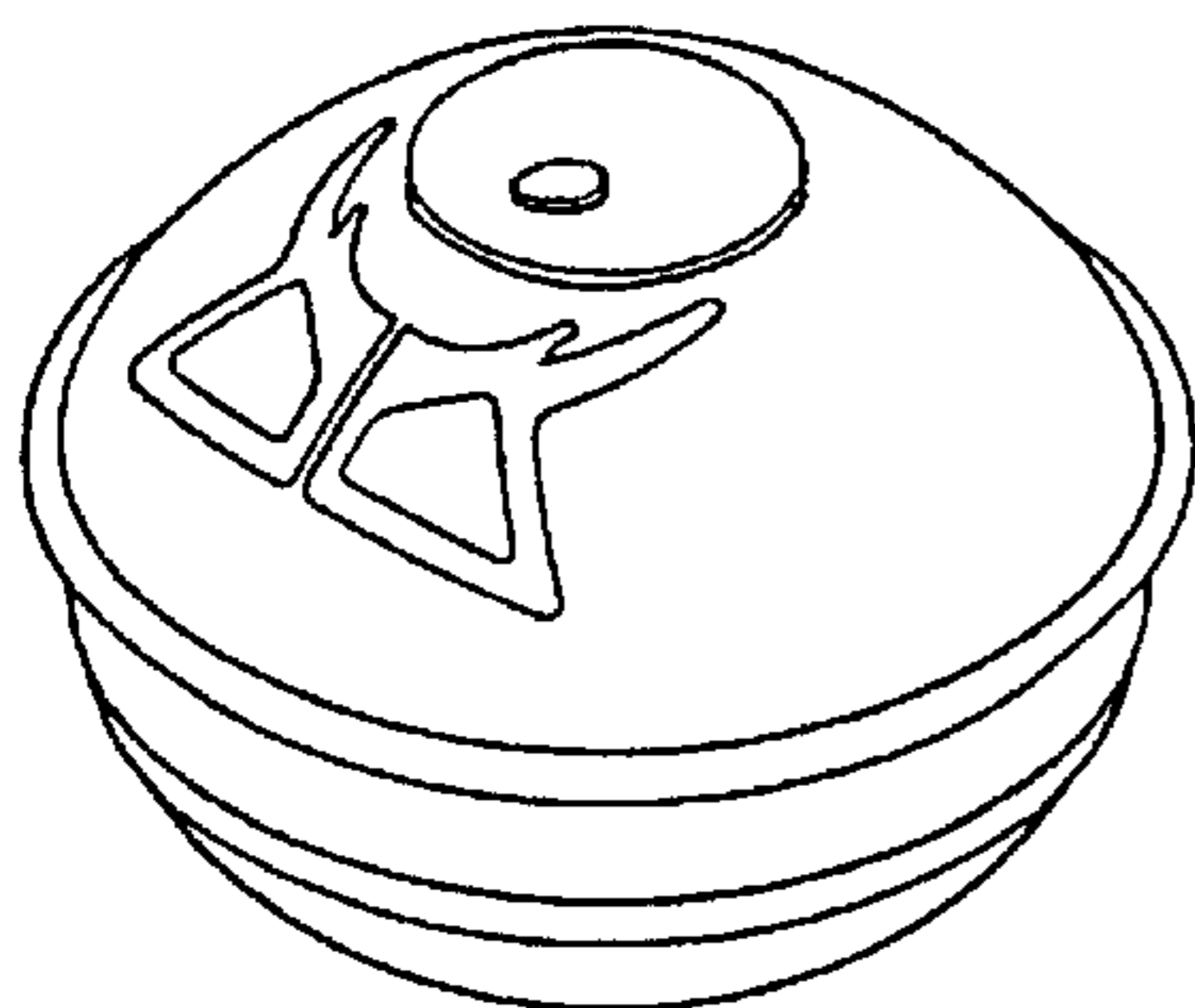
(57) **CLAIM**

The ornamental design for a roaster oven, substantially as shown and described.

**DESCRIPTION**

FIG. 1 is a perspective view of a roaster oven showing my new design;  
 FIG. 2 is a front elevational view thereof;  
 FIG. 3 is a back elevational view thereof;  
 FIG. 4 is a left side elevational view thereof;  
 FIG. 5 is a right side elevational view thereof;  
 FIG. 6 is a top plan view thereof; and,  
 FIG. 7 is a bottom plan view thereof.

**1 Claim, 4 Drawing Sheets**



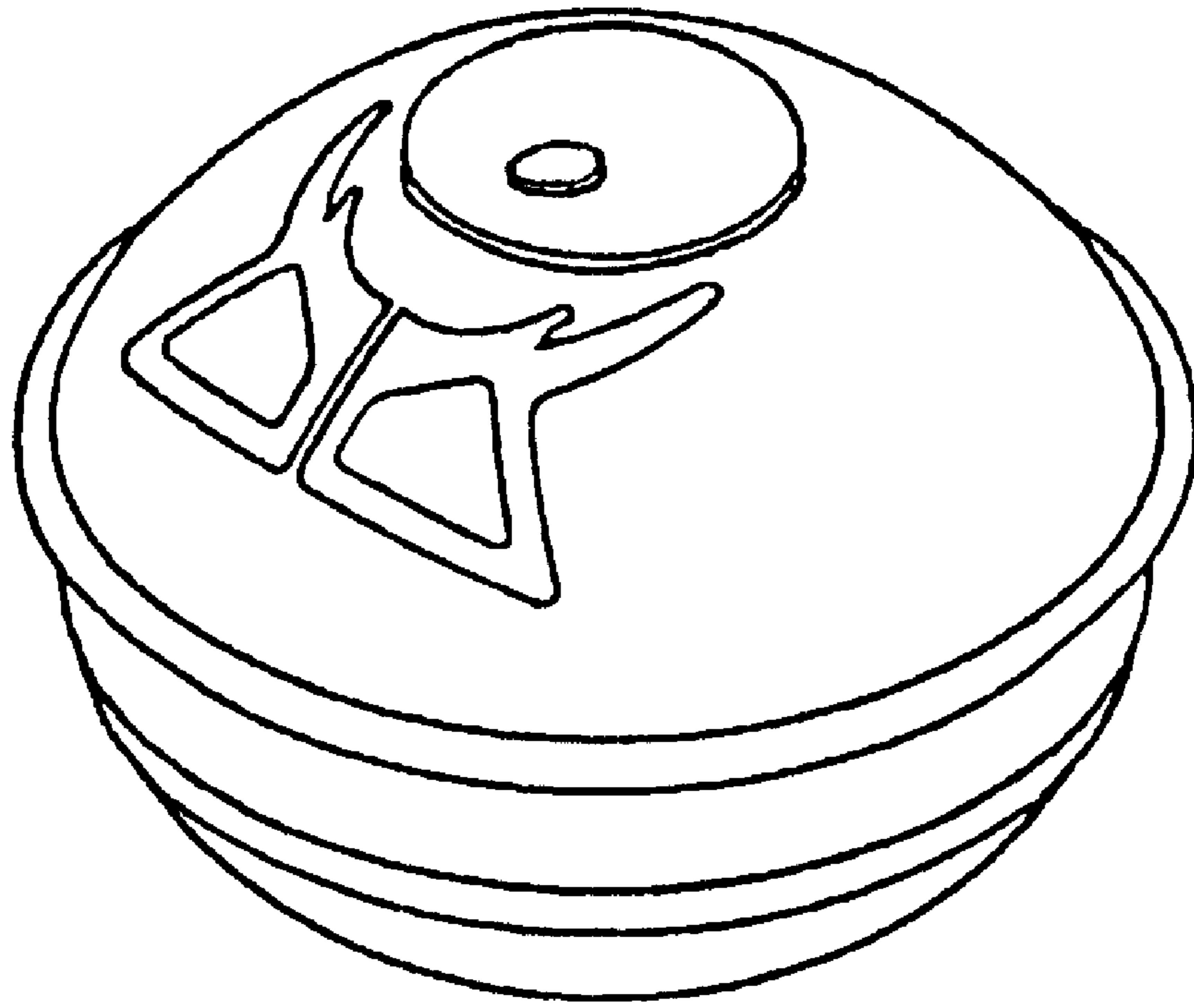


Fig. 1

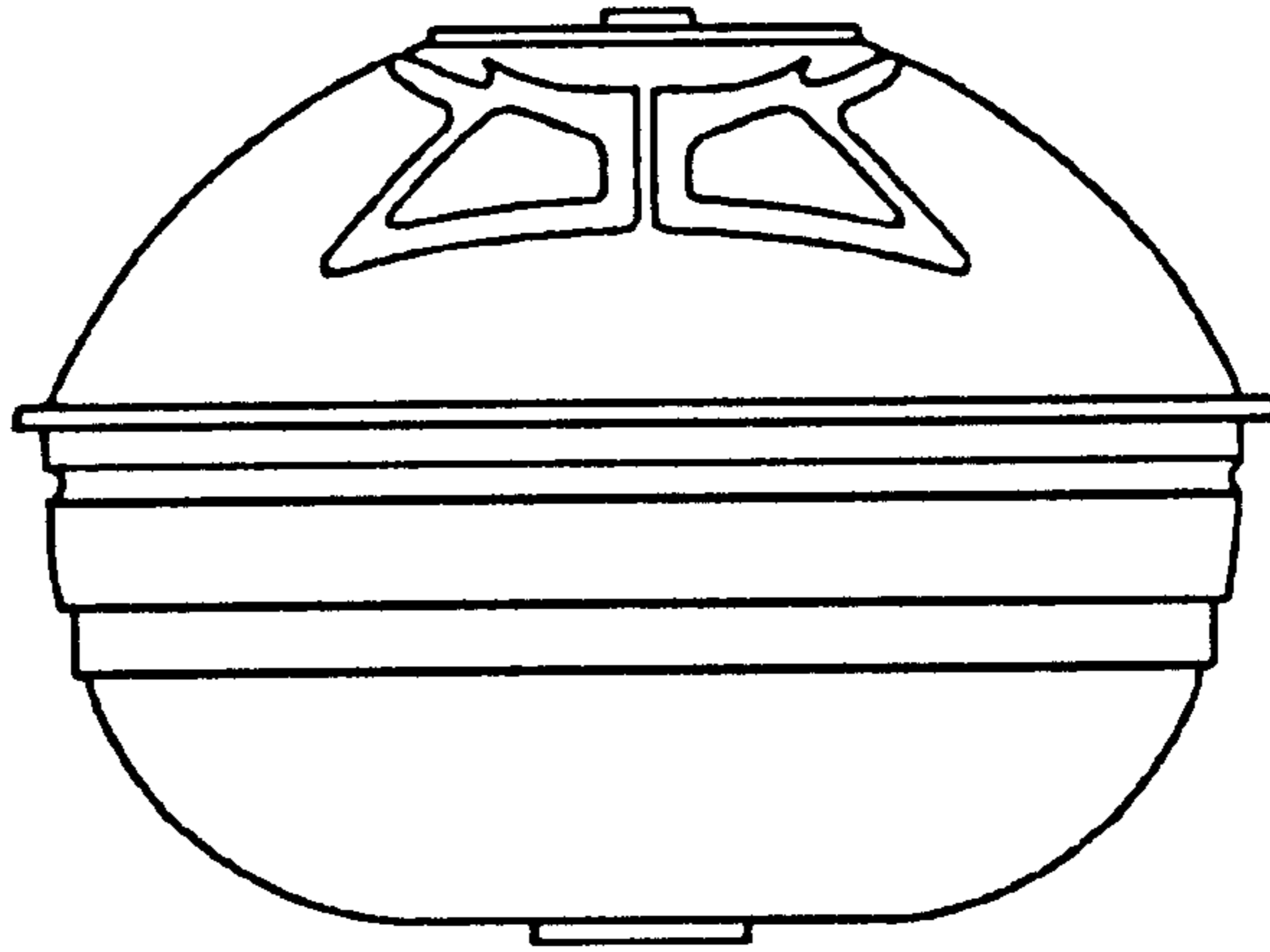


Fig. 2

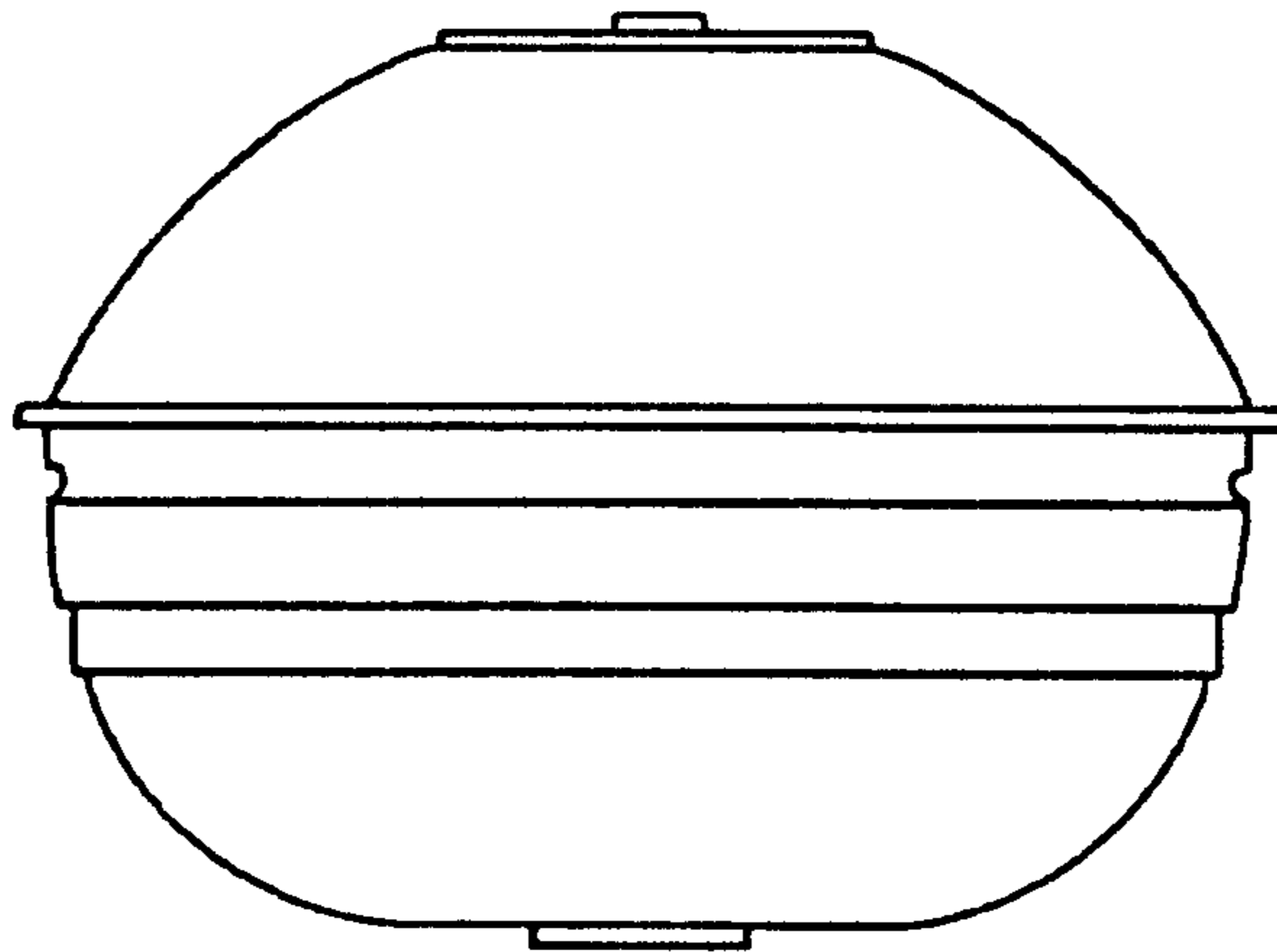


Fig. 3

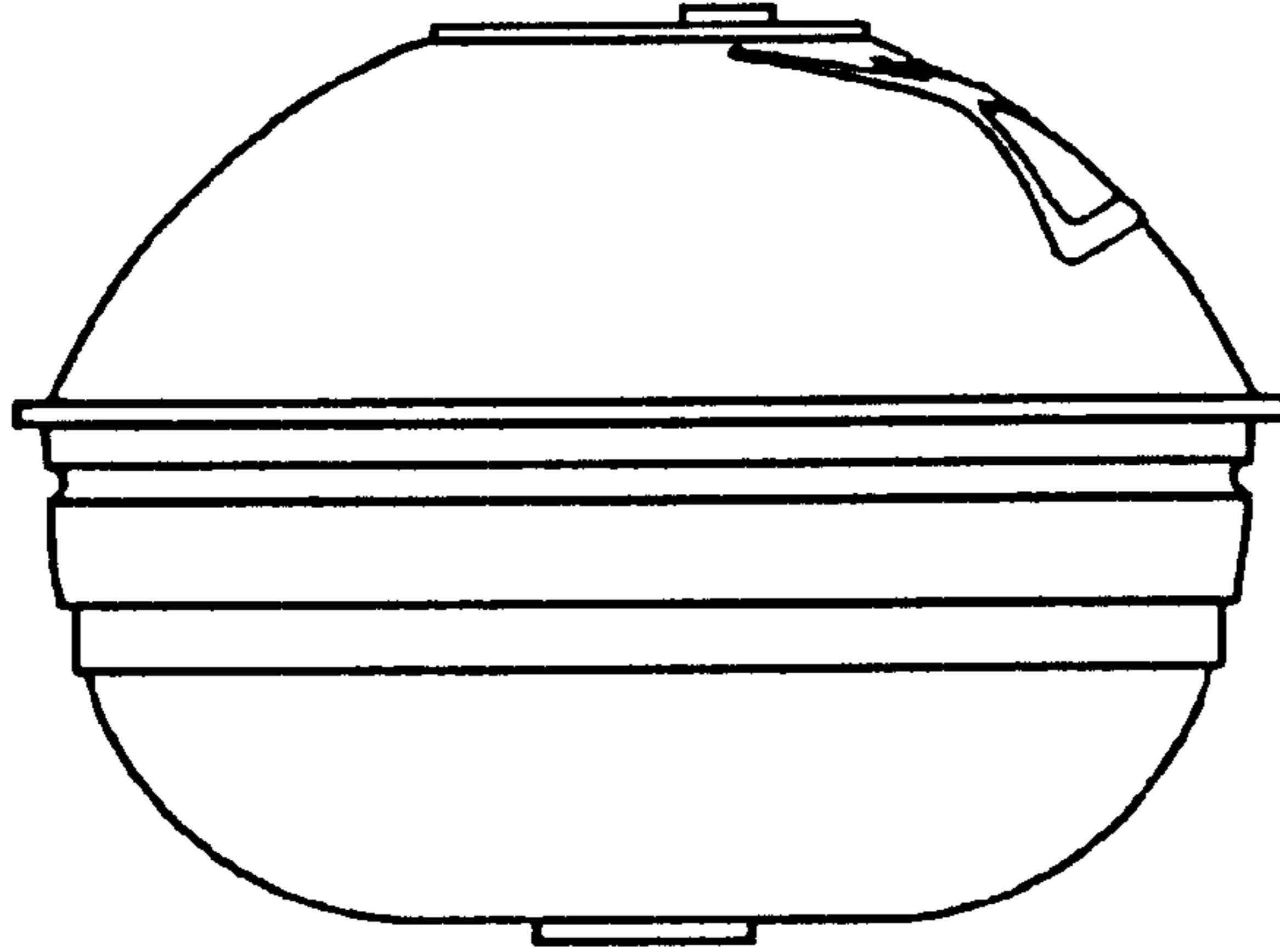


Fig. 4

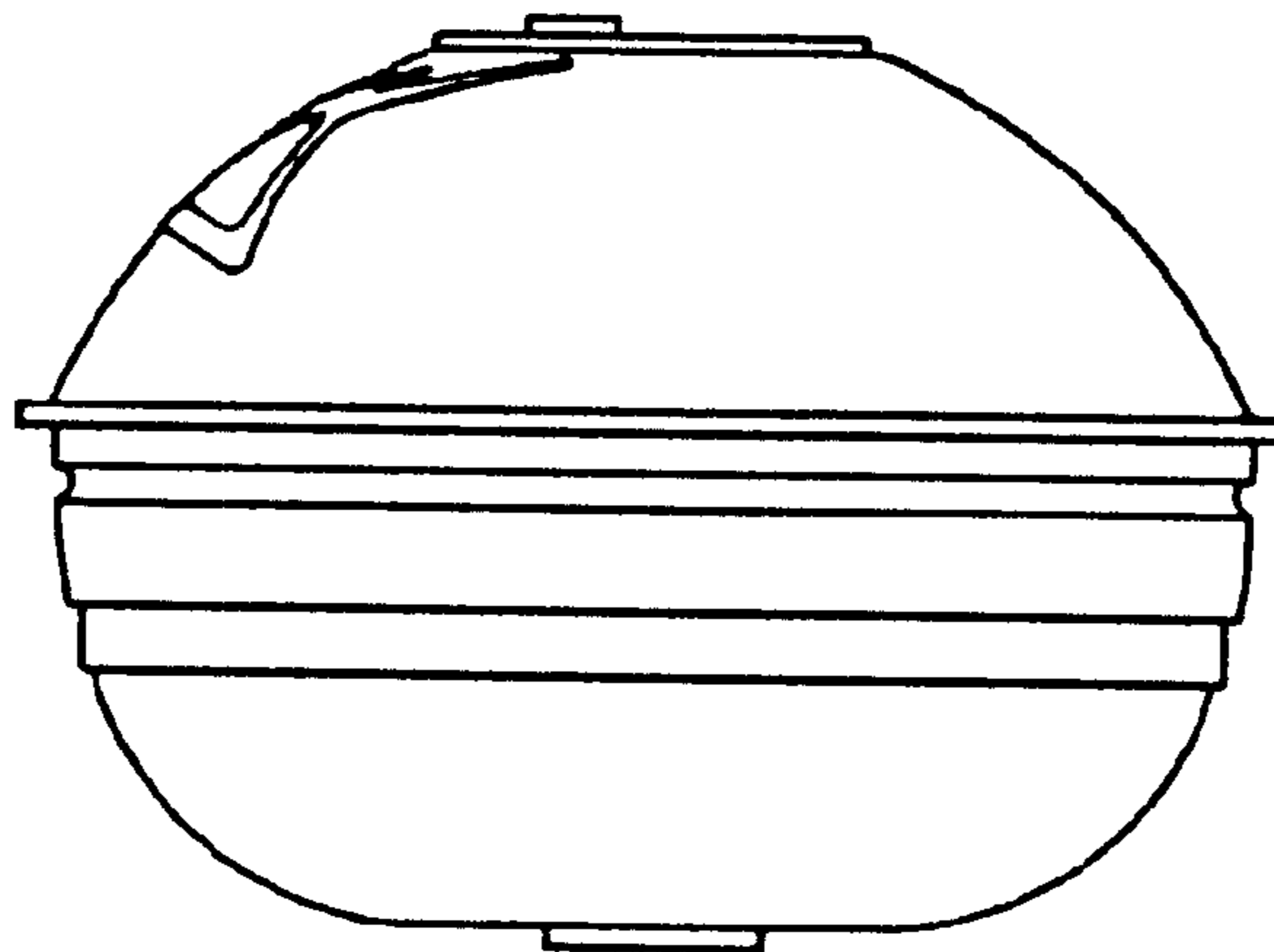


Fig. 5

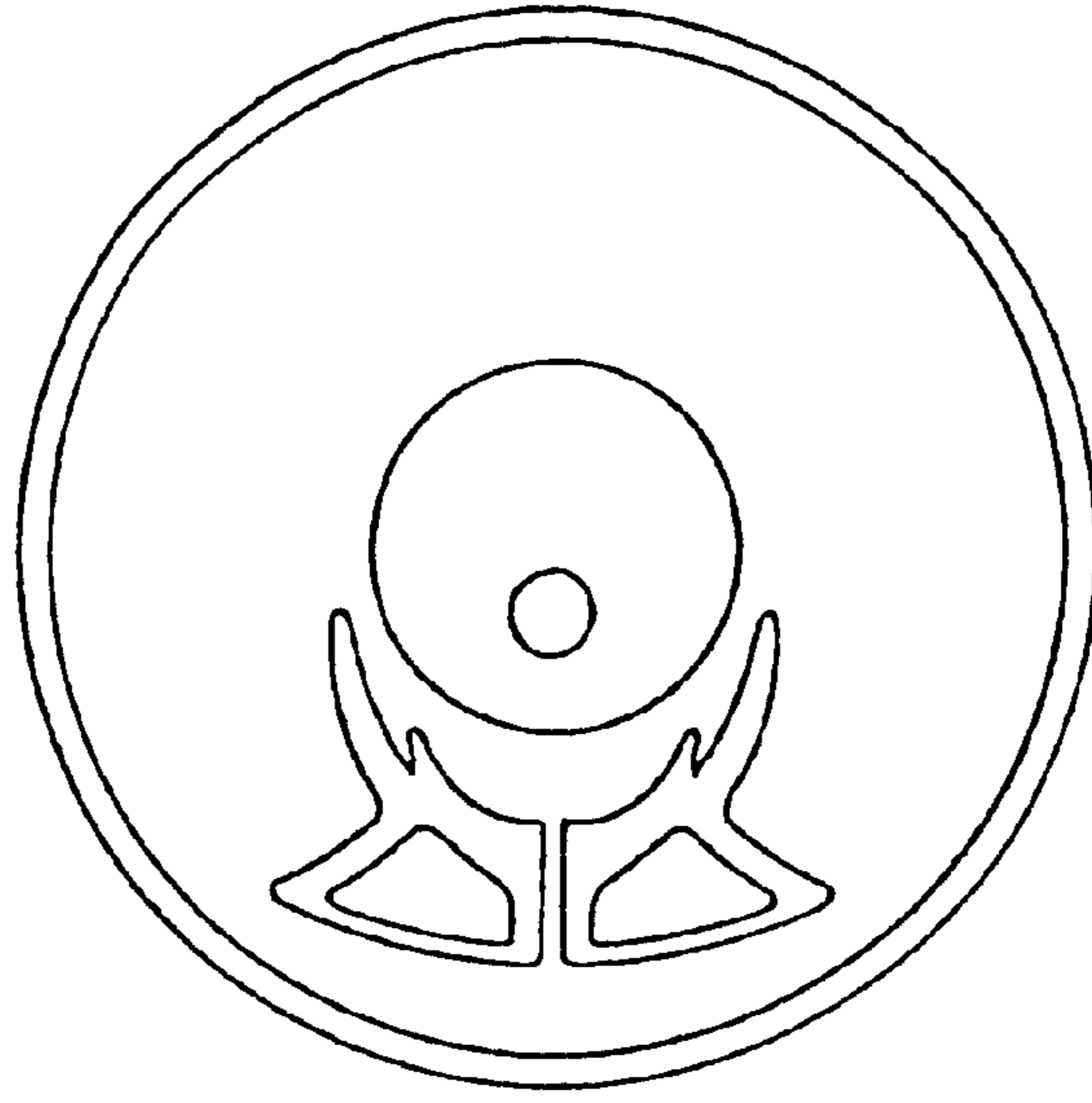


Fig. 6

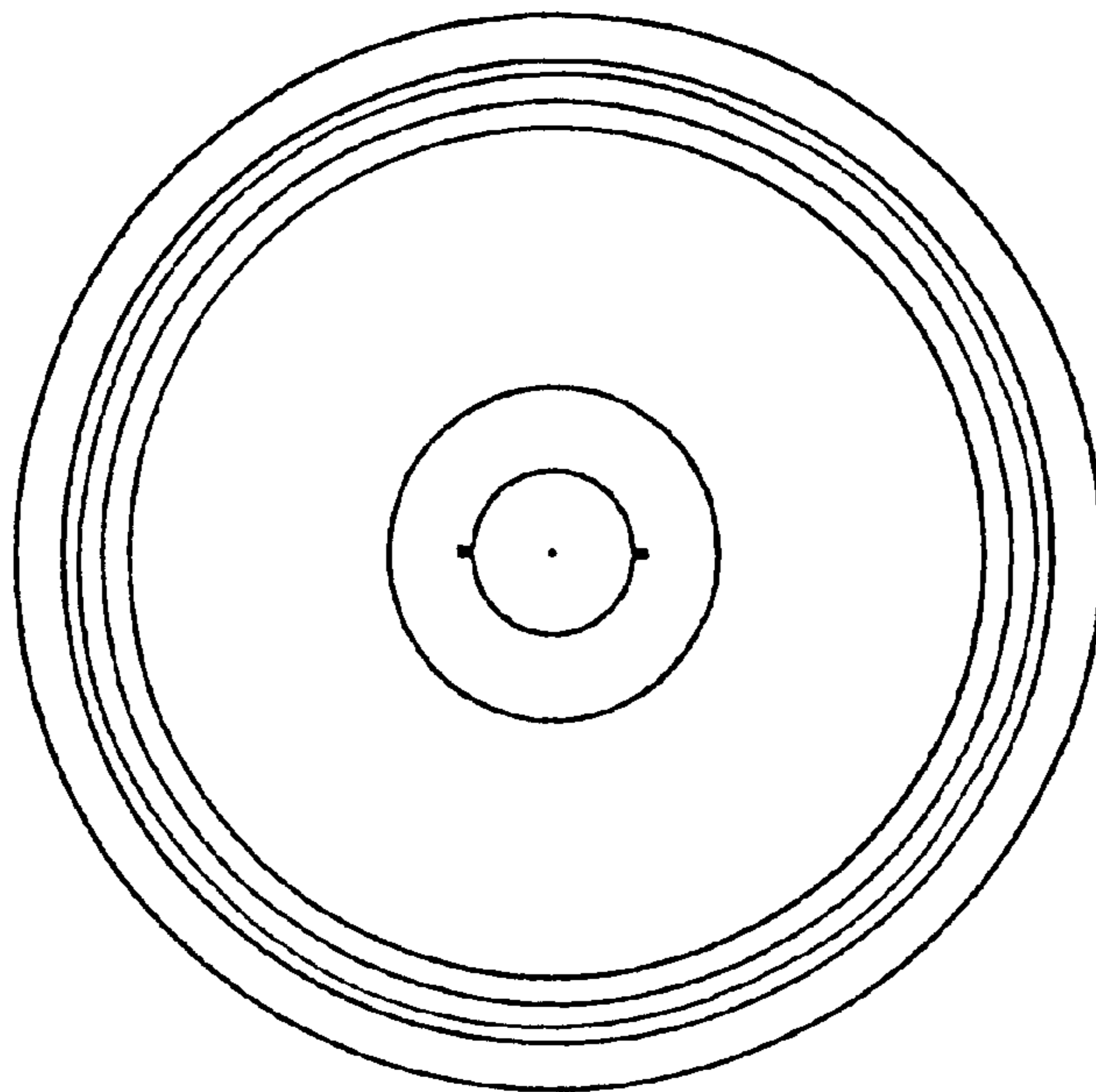


Fig. 7