



US00D478232S

(12) **United States Design Patent**
Dretzka

(10) **Patent No.:** **US D478,232 S**

(45) **Date of Patent:** **** Aug. 12, 2003**

(54) **SOAP DISH**

D413,219 S * 8/1999 Kerr D6/536
D417,574 S * 12/1999 Ludwig D6/536

(75) Inventor: **Philip C. Dretzka**, Cleveland Heights, OH (US)

* cited by examiner

(73) Assignee: **InterDesign, Inc.**, Solon, OH (US)

Primary Examiner—Brian N. Vinson
(74) *Attorney, Agent, or Firm*—D. Peter Hochberg; Katherine R. Vieyra; Sean Mellino

(**) Term: **14 Years**

(21) Appl. No.: **29/165,387**

(57) **CLAIM**

(22) Filed: **Aug. 9, 2002**

The ornamental design for a soap dish, as shown and described.

(51) **LOC (7) Cl.** **23-02**

DESCRIPTION

(52) **U.S. Cl.** **D6/536**

(58) **Field of Search** D6/536-540; D3/304; 206/77.1; 211/13.1, 85.12, 126.1

FIG. 1 is a perspective view of a soap dish embodying this invention;

FIG. 2 is a top view of the soap dish shown in FIG. 1;

FIG. 3 is a side elevation view of the soap dish shown in FIG. 1;

FIG. 4 is a bottom view of the soap dish shown in FIG. 1; and,

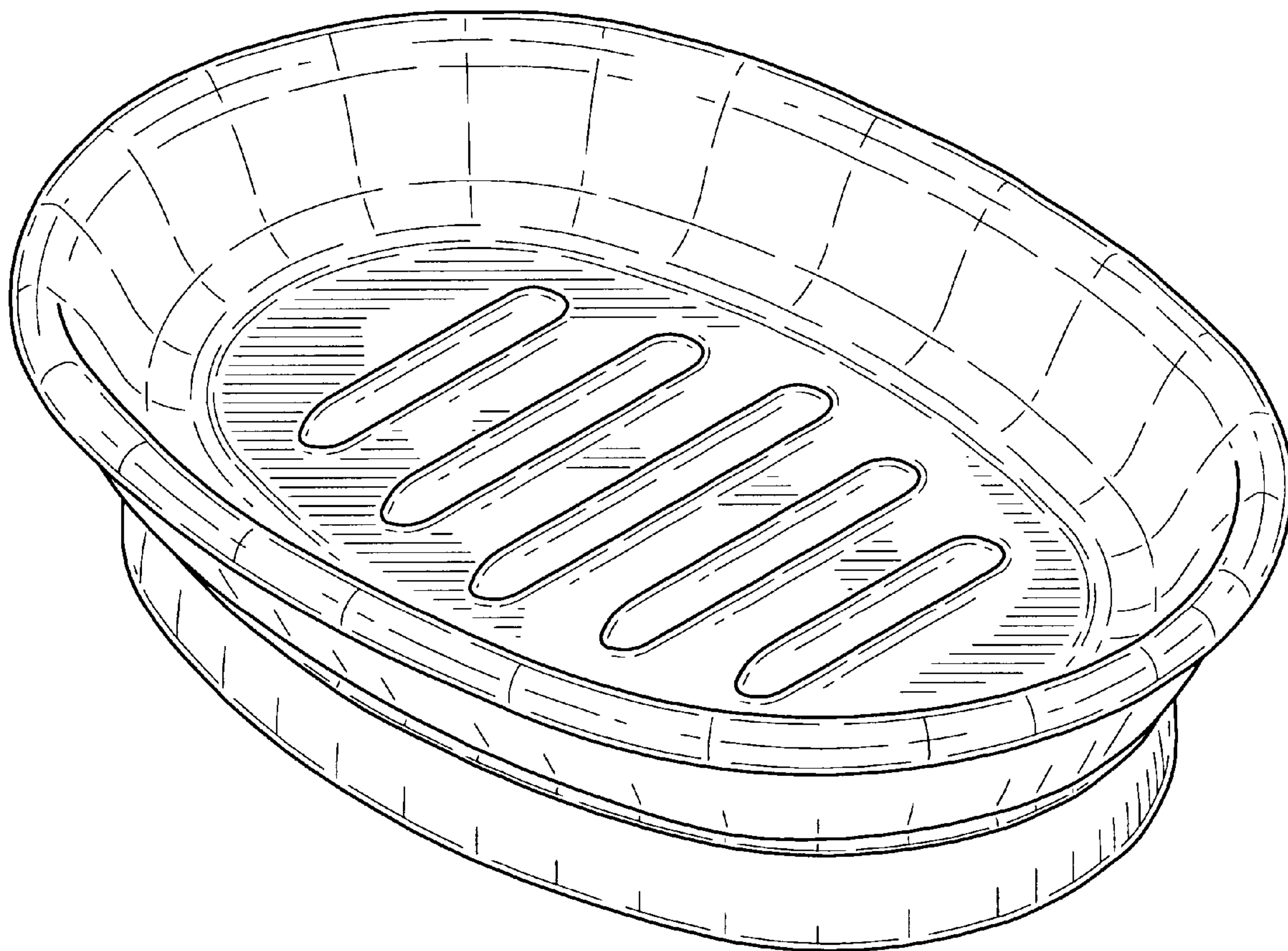
FIG. 5 is an end elevation view of the soap dish shown in FIG. 1.

(56) **References Cited**

U.S. PATENT DOCUMENTS

D302,832 S	*	8/1989	King	D19/75
D337,682 S	*	7/1993	Crook et al.	D6/536
D345,068 S	*	3/1994	Shafer	D6/536
D356,914 S	*	4/1995	Cecula	D6/536
D367,986 S	*	3/1996	Haley et al.	D6/536
D394,773 S	*	6/1998	Patel	D6/536

1 Claim, 3 Drawing Sheets



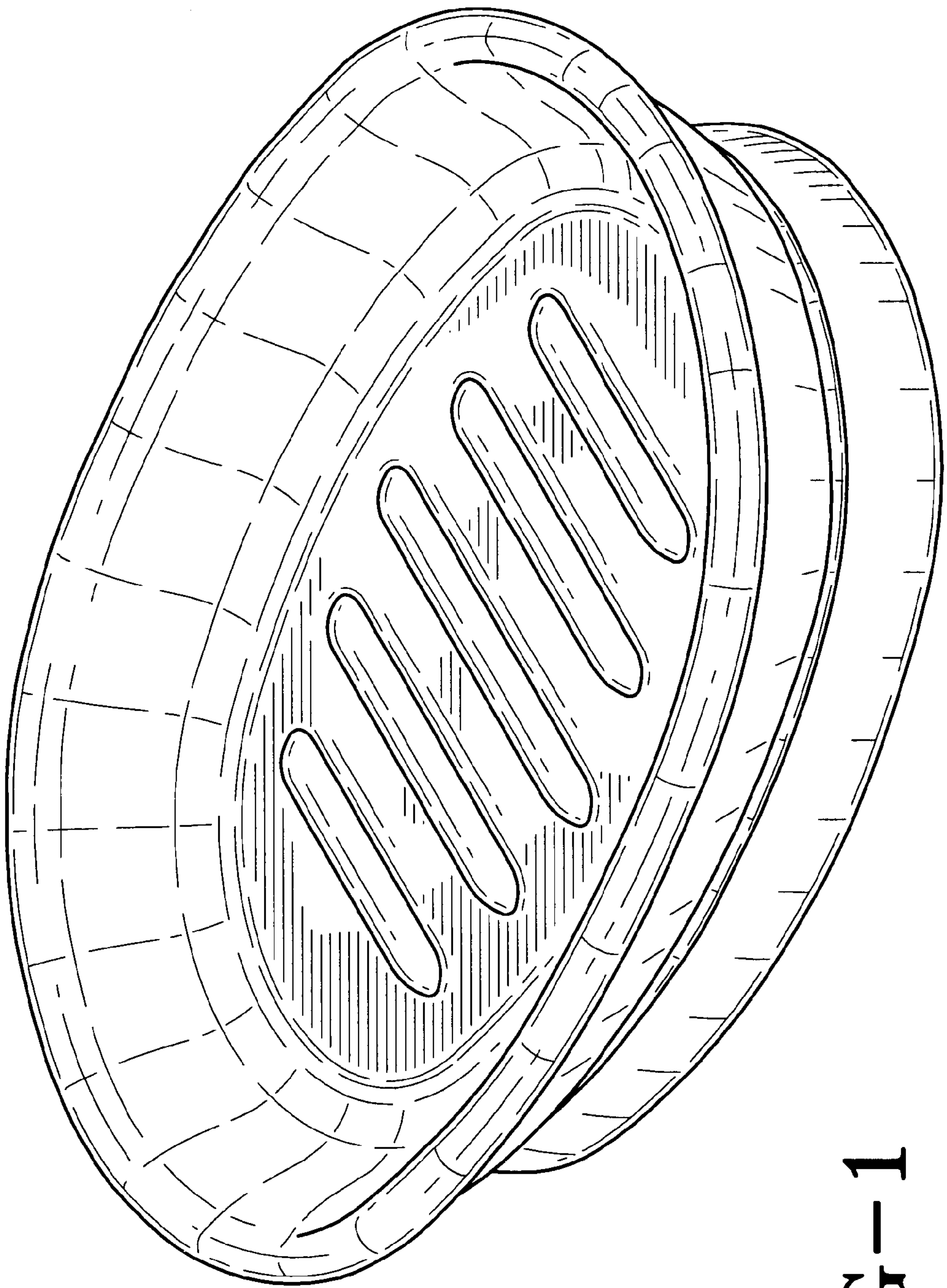


FIG-1

FIG-2

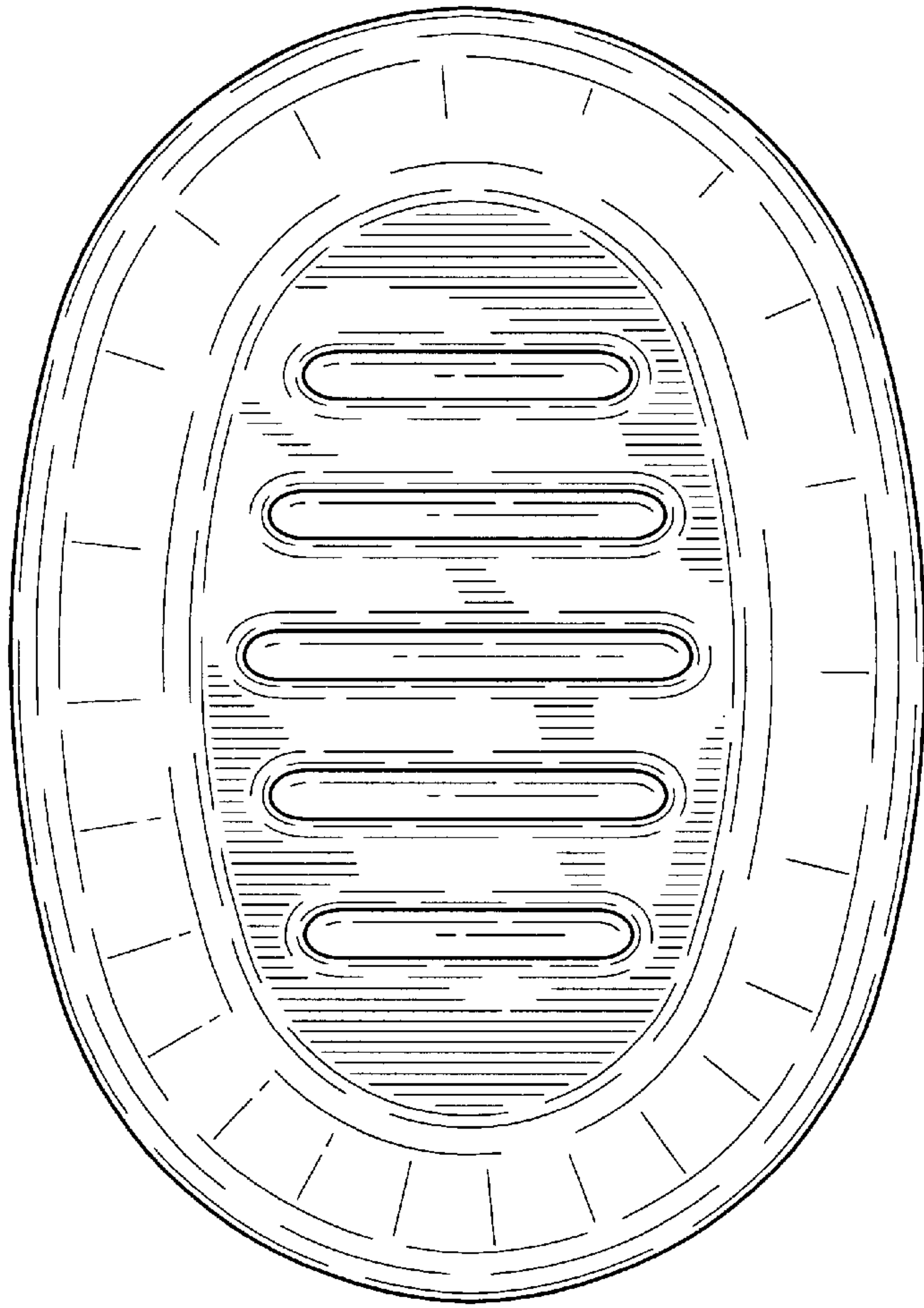
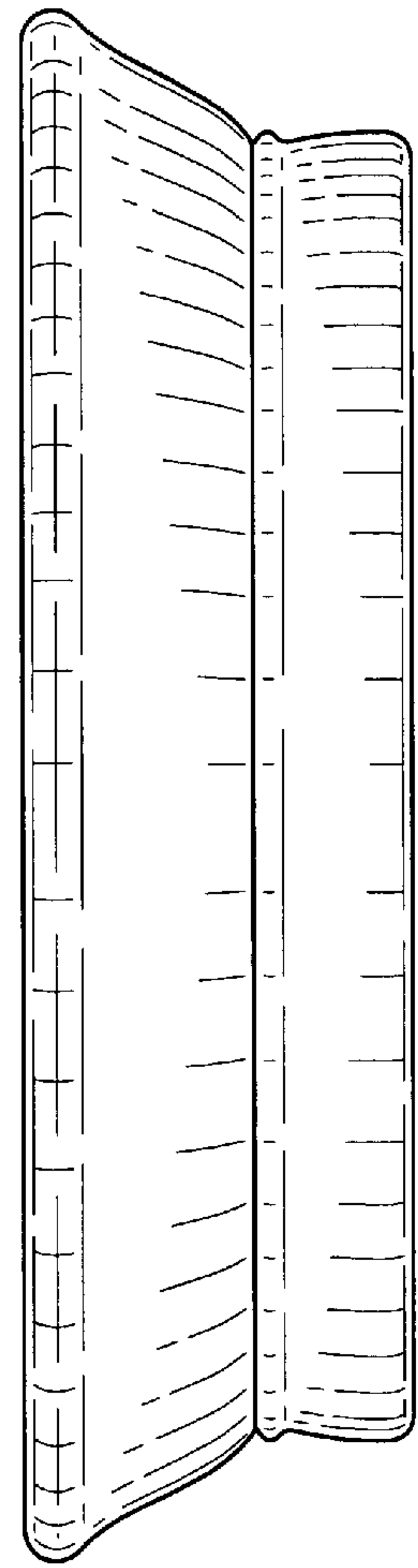


FIG-3



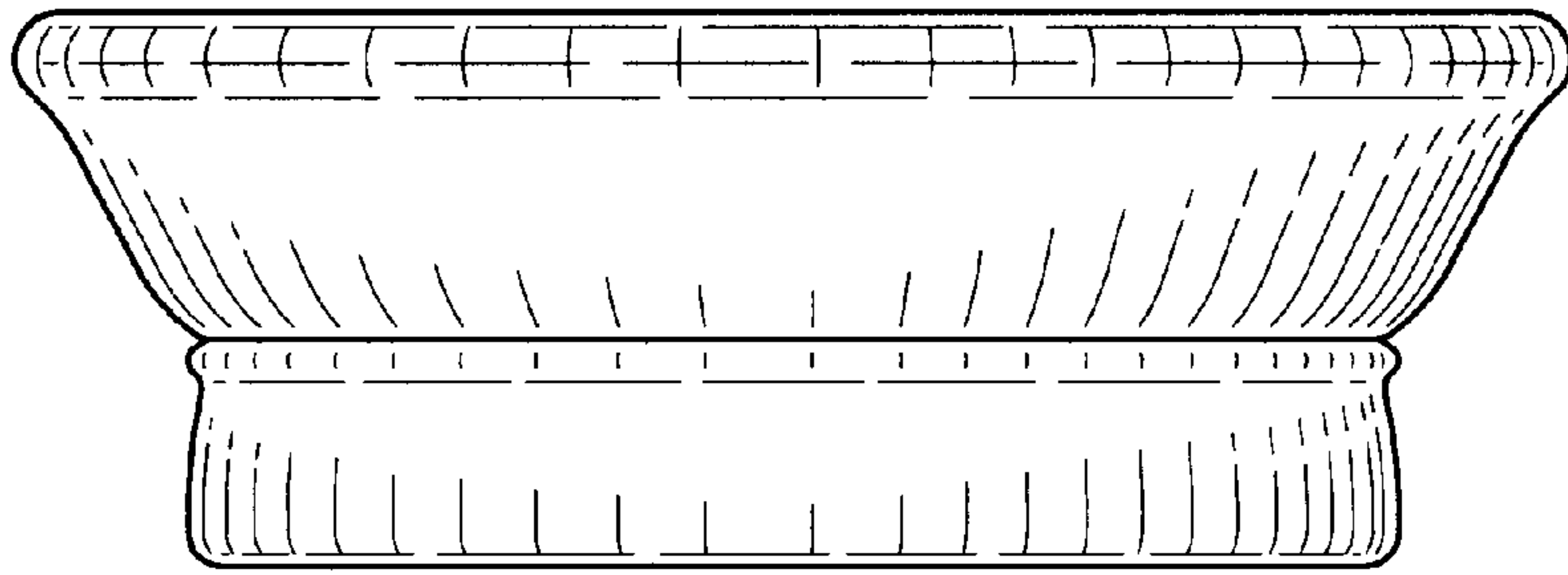


FIG-5

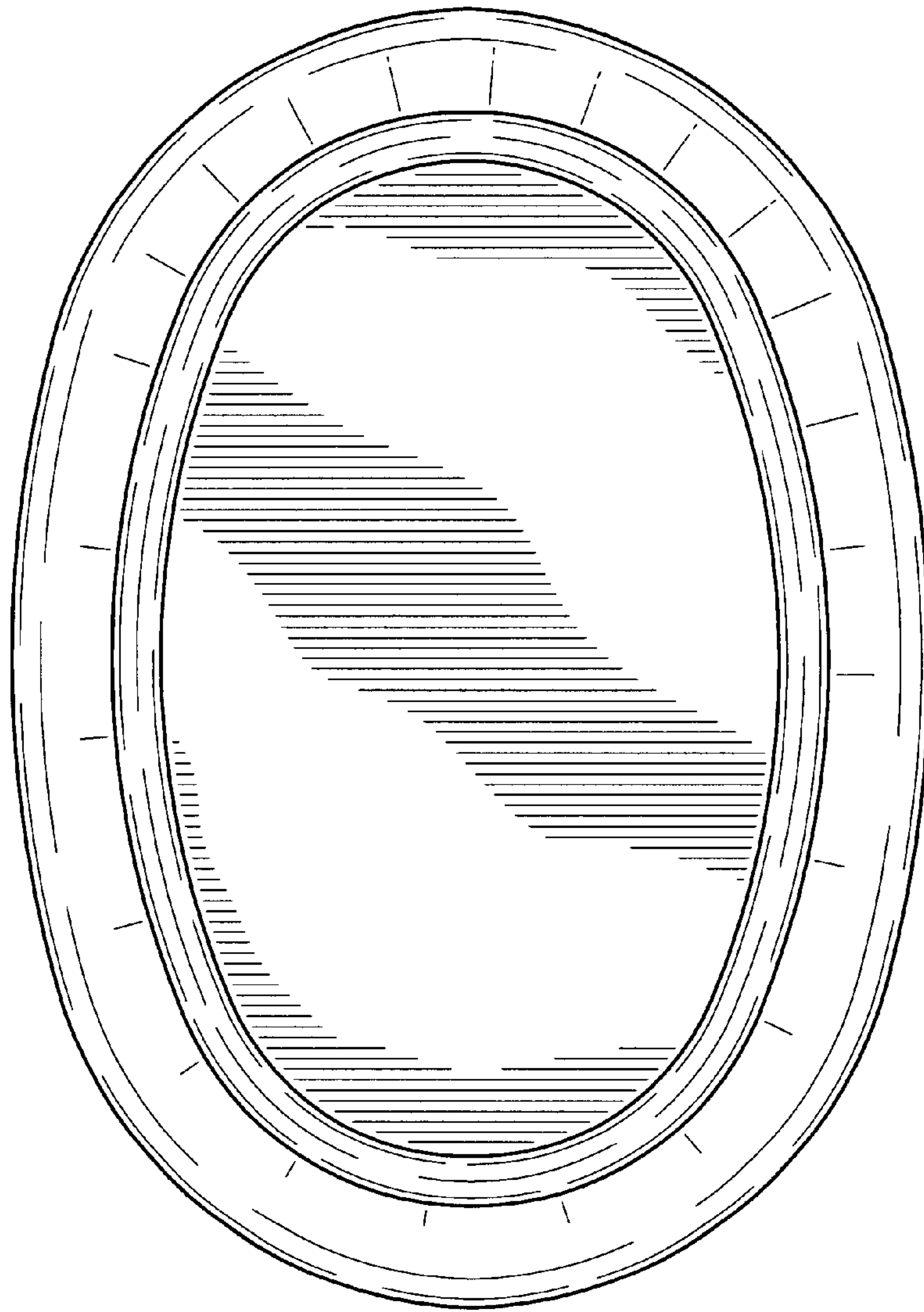


FIG-4