



US00D478231S

(12) **United States Design Patent**
Snell

(10) **Patent No.:** **US D478,231 S**

(45) **Date of Patent:** **** Aug. 12, 2003**

(54) **TOOTHBRUSH STAND**

D418,706 S * 1/2000 Robishaw D6/534

(75) Inventor: **Russell Benton Snell**, Bentleyville, OH (US)

* cited by examiner

(73) Assignee: **InterDesign, Inc.**, Solon, OH (US)

Primary Examiner—Brian N. Vinson
(74) *Attorney, Agent, or Firm*—D. Peter Hochberg; Katherine R. Vieyra; Sean Mellino

(**) Term: **14 Years**

(57) **CLAIM**

(21) Appl. No.: **29/165,910**

The ornamental design for a toothbrush stand, as shown and described.

(22) Filed: **Aug. 20, 2002**

(51) **LOC (7) Cl.** **23-02**

(52) **U.S. Cl.** **D6/534**

(58) **Field of Search** D6/534, 528-531, D6/524; 206/362.1, 362.2, 362.3, 368, 369; 211/13.1, 65, 69.5, 70.6, 70.7

DESCRIPTION

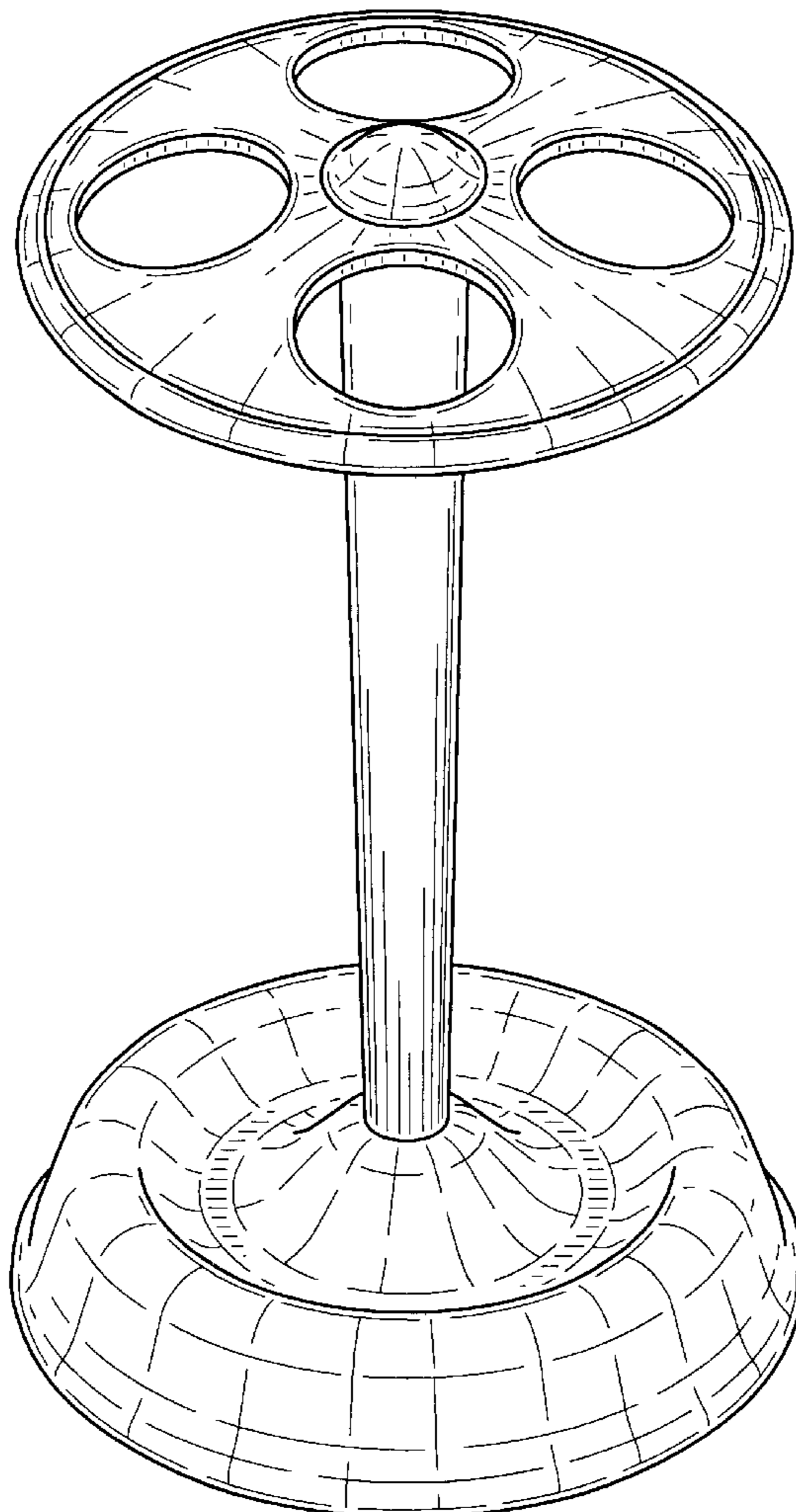
(56) **References Cited**

FIG. 1 is a perspective view of a toothbrush stand embodying this invention;
FIG. 2 is a top view of the toothbrush stand shown in FIG. 1;
FIG. 3 is an elevation view of the toothbrush stand shown in FIG. 1; and,
FIG. 4 is a bottom view of the toothbrush stand shown in FIG. 1.

U.S. PATENT DOCUMENTS

D270,878 S * 10/1983 Sabatella D6/534
D312,182 S * 11/1990 Ritchie D6/534 X

1 Claim, 2 Drawing Sheets



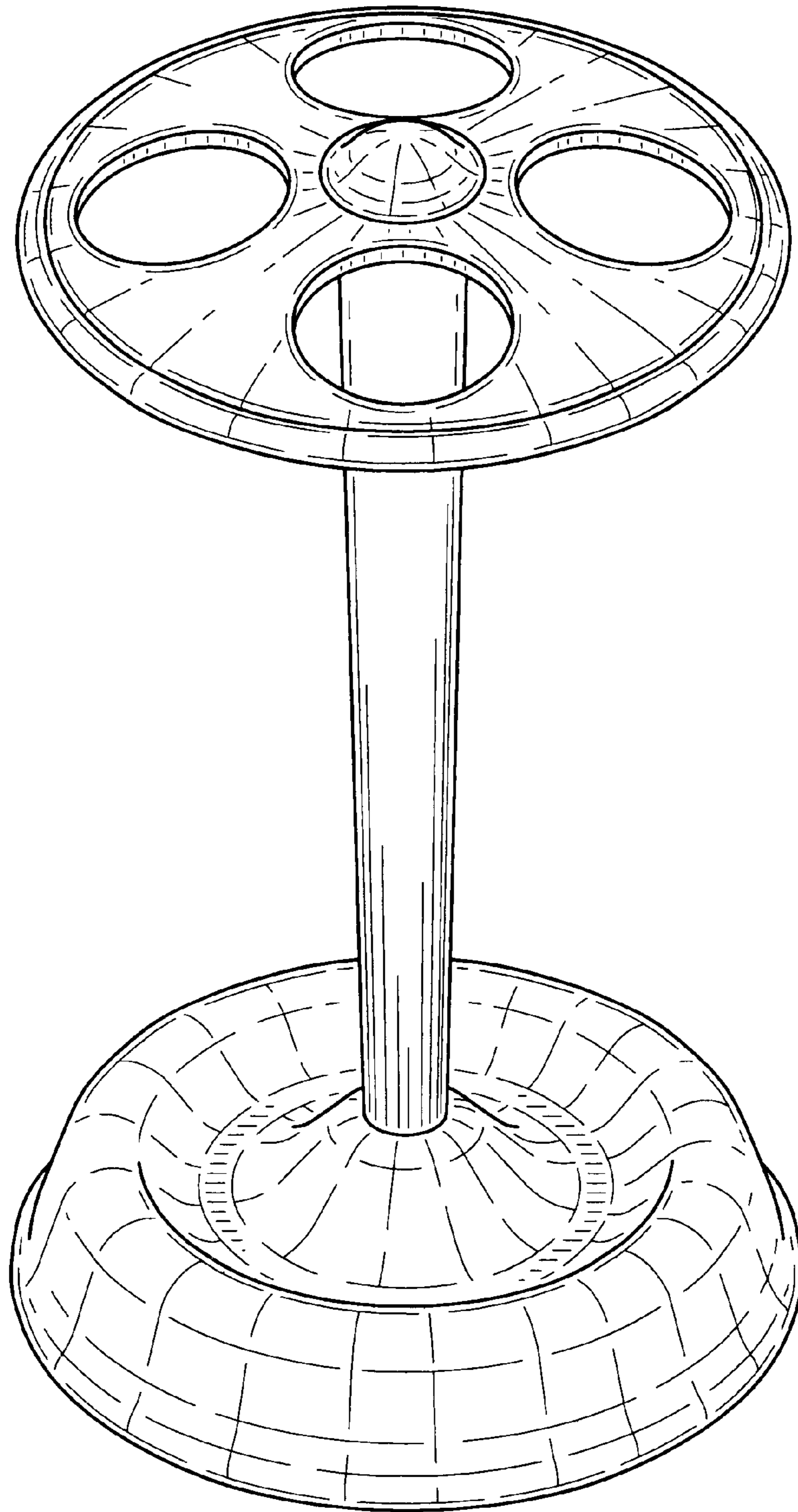


FIG-1

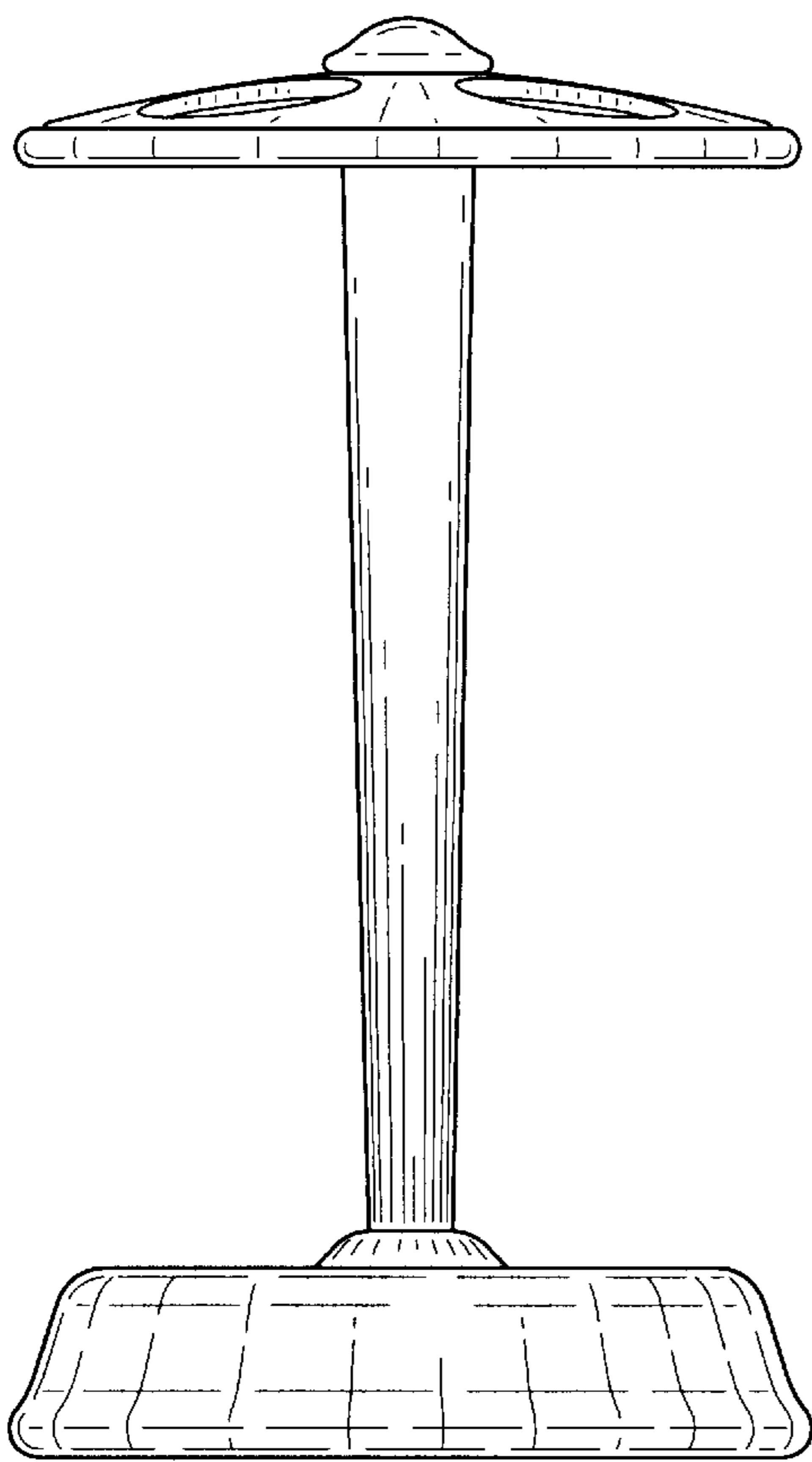


FIG-3

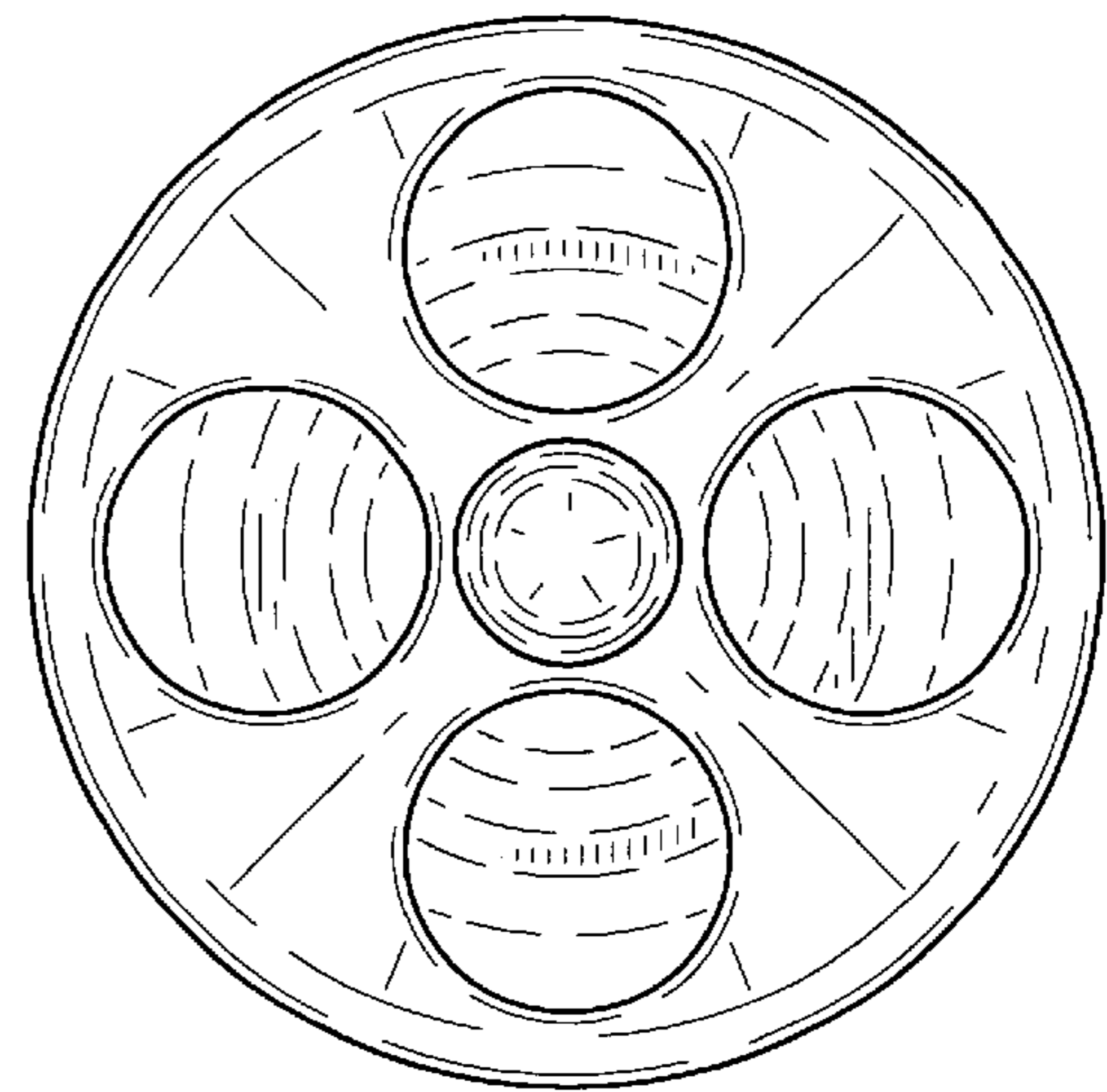


FIG-2

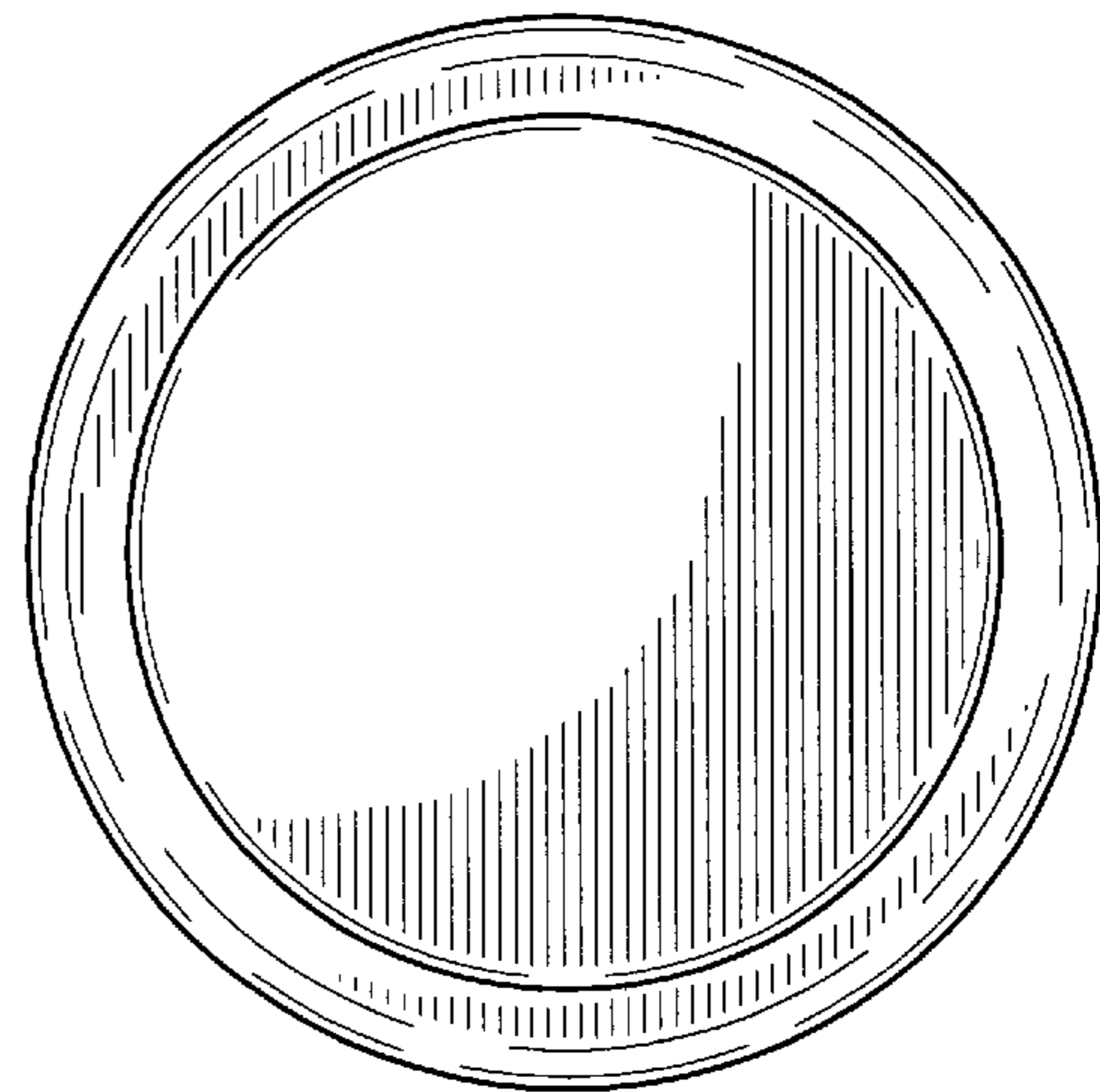


FIG-4