



US00D478227S

(12) **United States Design Patent**
Peyker

(10) **Patent No.:** **US D478,227 S**

(45) **Date of Patent:** **** Aug. 12, 2003**

(54) **DISPLAY CASE FOR EYEWEAR**

(75) Inventor: **Katharina Peyker**, Salzburg/Anif (AT)

(73) Assignee: **Silhouette International Schmied AG**,
Linz (AT)

(**) Term: **14 Years**

(21) Appl. No.: **29/172,144**

(22) Filed: **Dec. 6, 2002**

(30) **Foreign Application Priority Data**

Jun. 12, 2002 (AT) MU 2002-2058
Jun. 12, 2002 (AT) MU 2002-2059

(51) **LOC (7) Cl.** **06-04**

(52) **U.S. Cl.** **D6/468; D6/472; D6/474**

(58) **Field of Search** D6/411, 415, 463,
D6/464, 466, 467, 468, 472, 473, 474;
108/59, 91-94; 211/11, 13.1, 85.1, 85.2,
85.4, 70, 78, 107, 131.1, 133.2, 163, 164,
181.1, 182

(56) **References Cited**

U.S. PATENT DOCUMENTS

D184,672 S * 3/1959 Fitzgerald D6/468
D400,374 S * 11/1998 Gassett et al. D6/472
D401,084 S * 11/1998 Martin D6/474
D436,787 S * 1/2001 London D6/630

* cited by examiner

Primary Examiner—Cathron C. Brooks

(74) *Attorney, Agent, or Firm*—Alston & Bird LLP

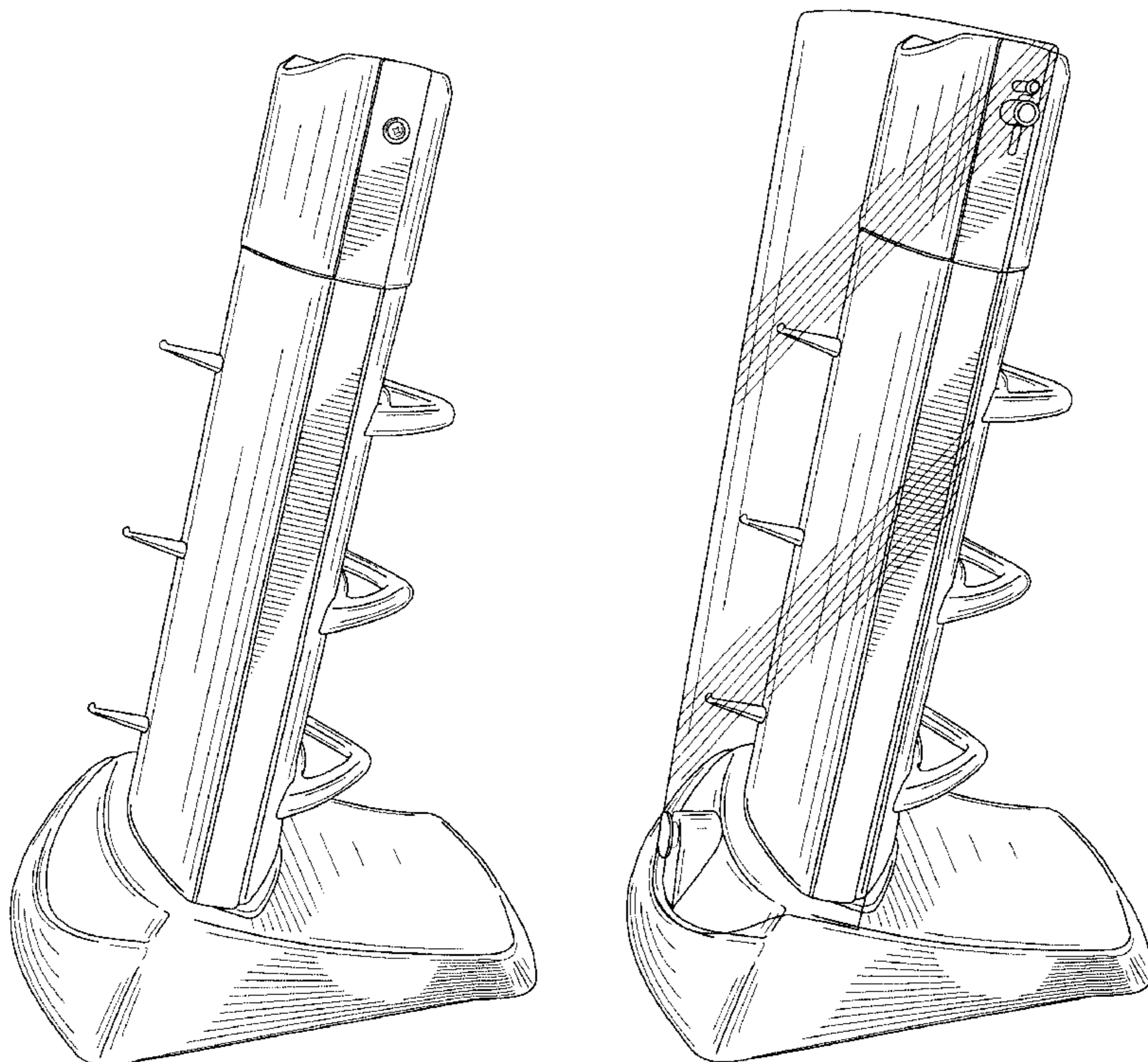
(57) **CLAIM**

The ornamental design for a display case for eyewear, as shown and described.

DESCRIPTION

FIG. 1 is a perspective view of a display case according to the present design;
FIG. 2 is a front elevation view of the display case of FIG. 1;
FIG. 3 is a left side elevation view of the display case of FIG. 1, the right side elevation view being identical;
FIG. 4 is a rear elevation view of the display case of FIG. 1;
FIG. 5 is a top plan view of the display case of FIG. 1;
FIG. 6 is a bottom plan view of the display case of FIG. 1;
FIG. 7 is a perspective view of another embodiment of a display case according to the present design;
FIG. 8 is a front elevation view of the display case of FIG. 7;
FIG. 9 is a left side elevation view of the display case of FIG. 7; the right side elevation view being identical;
FIG. 10 is a rear elevation view of the display case of FIG. 7;
FIG. 11 is a top plan view of the display case of FIG. 7; and,
FIG. 12 is a bottom plan view of the display case of FIG. 7.
The broken lines shown herein are for illustrative purposes only and form no part of the claimed design.

1 Claim, 10 Drawing Sheets



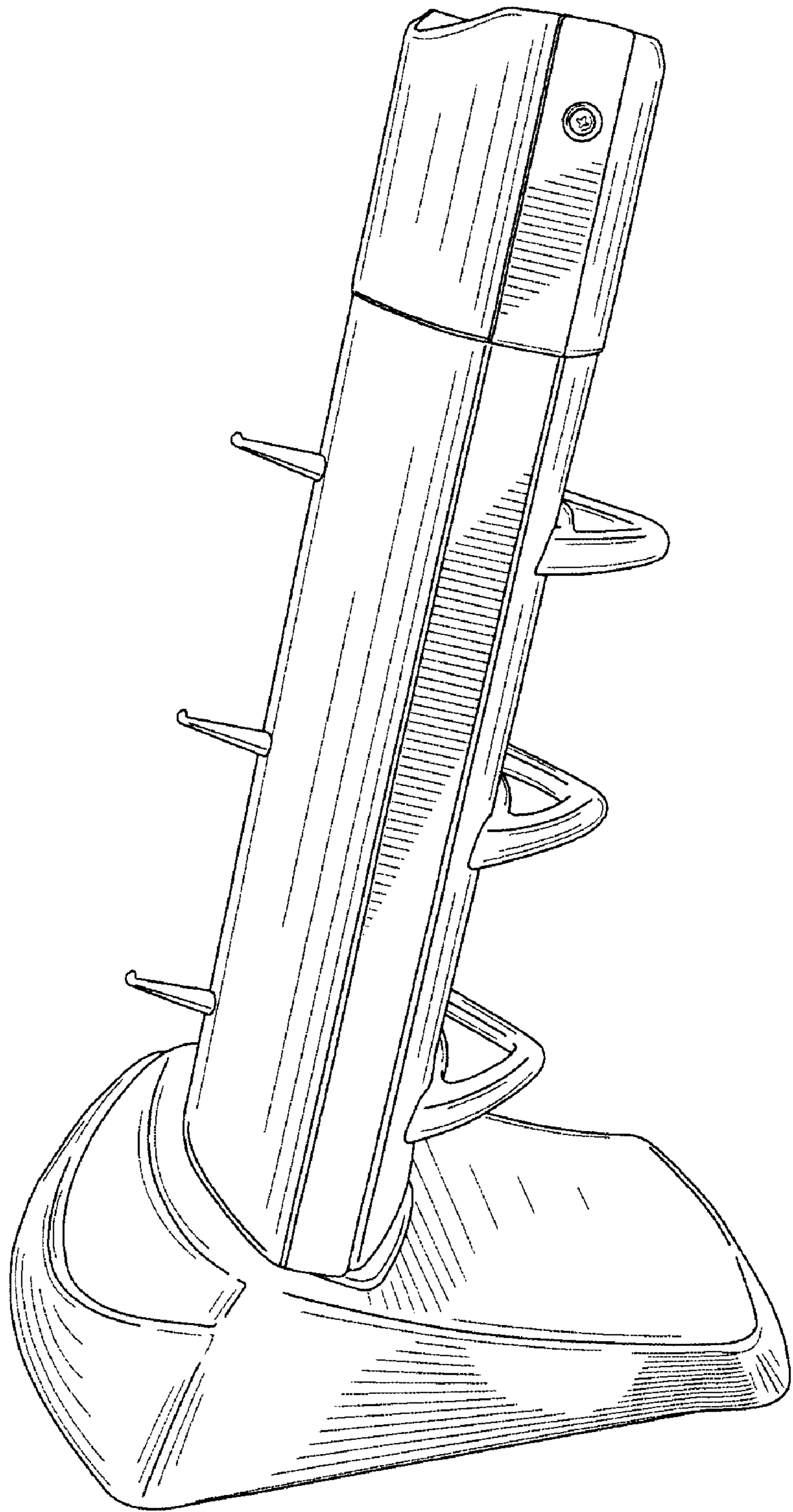


FIG. 1.

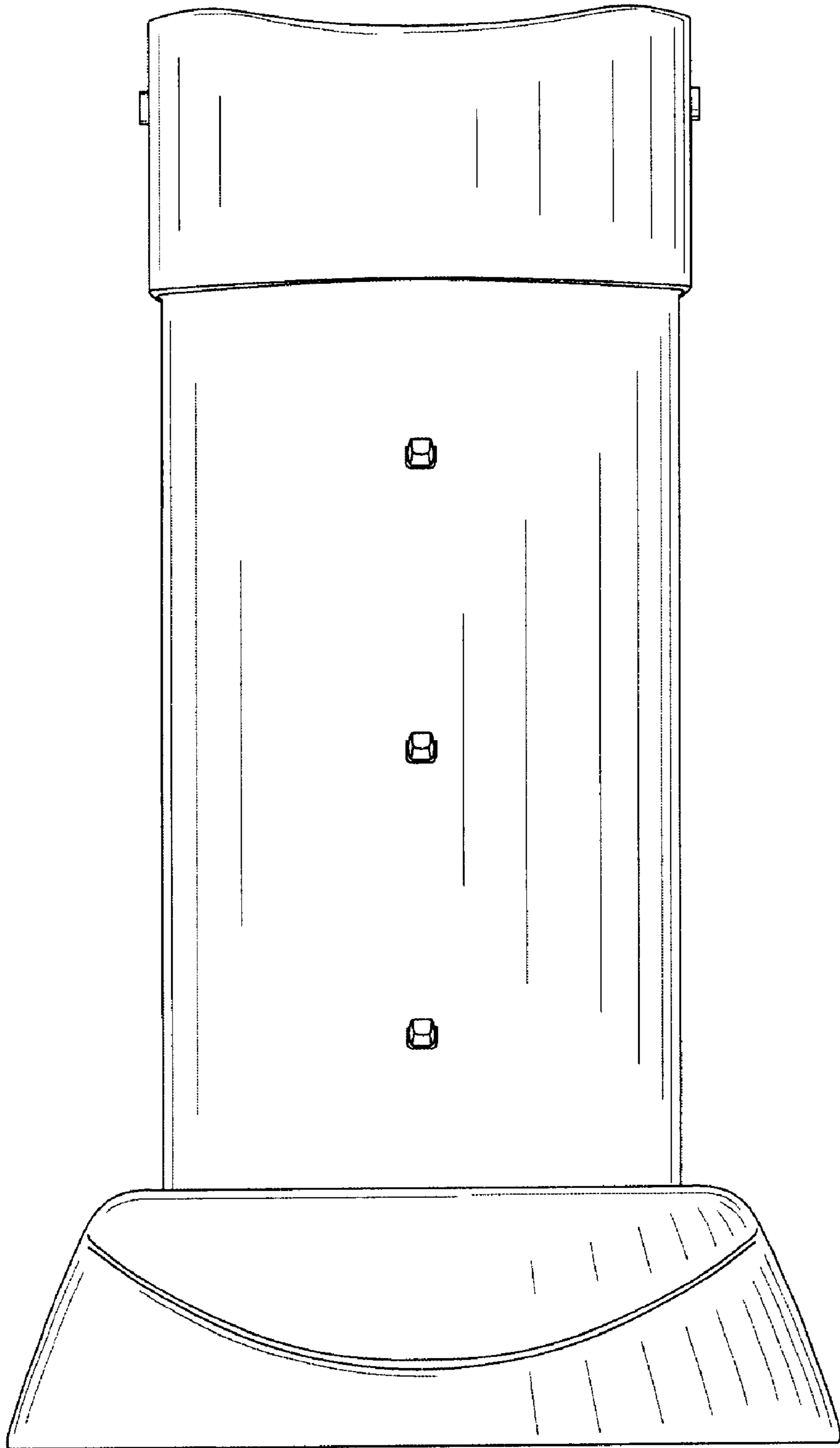


FIG. 2.

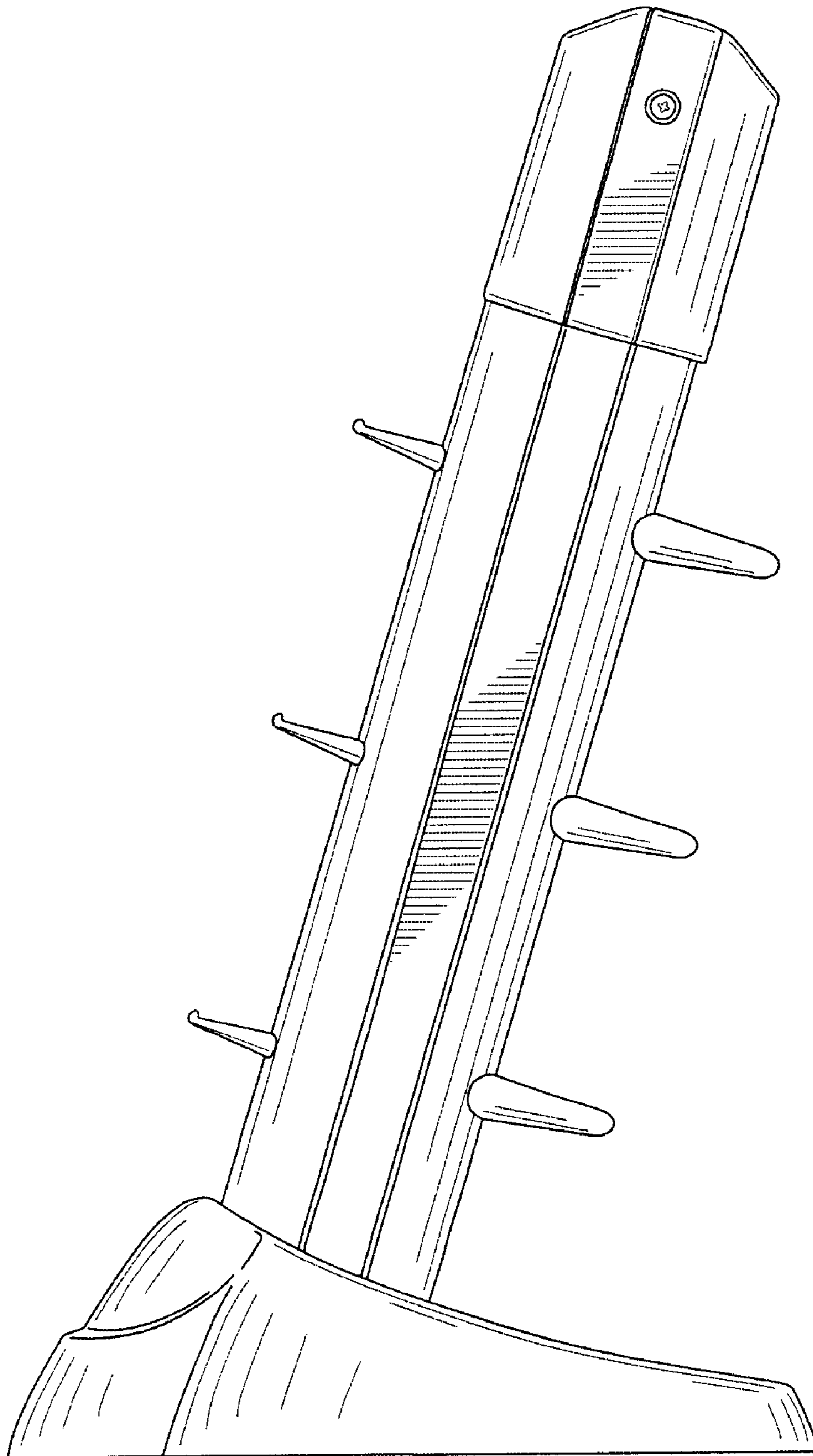


FIG. 3.

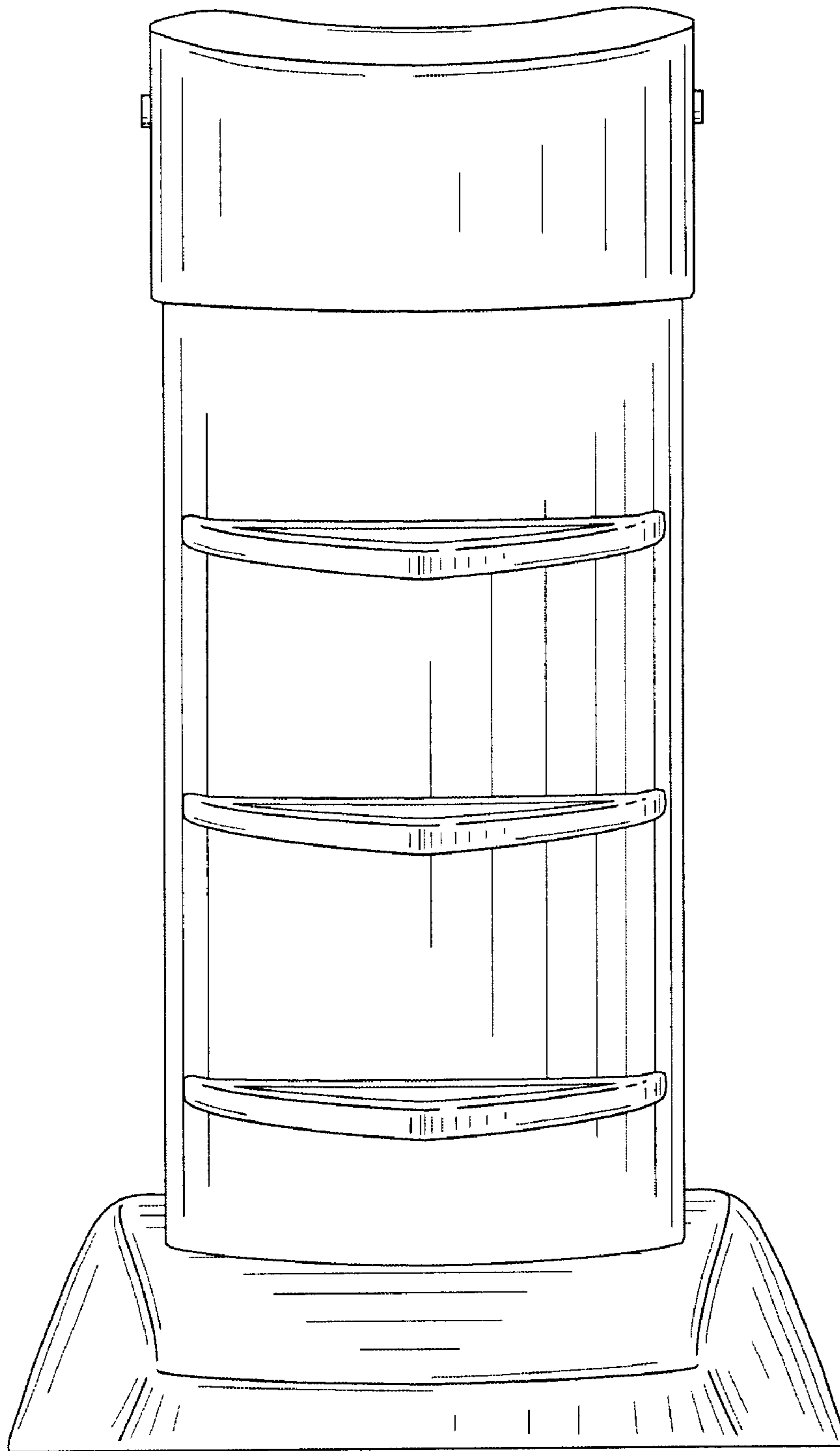


FIG. 4.

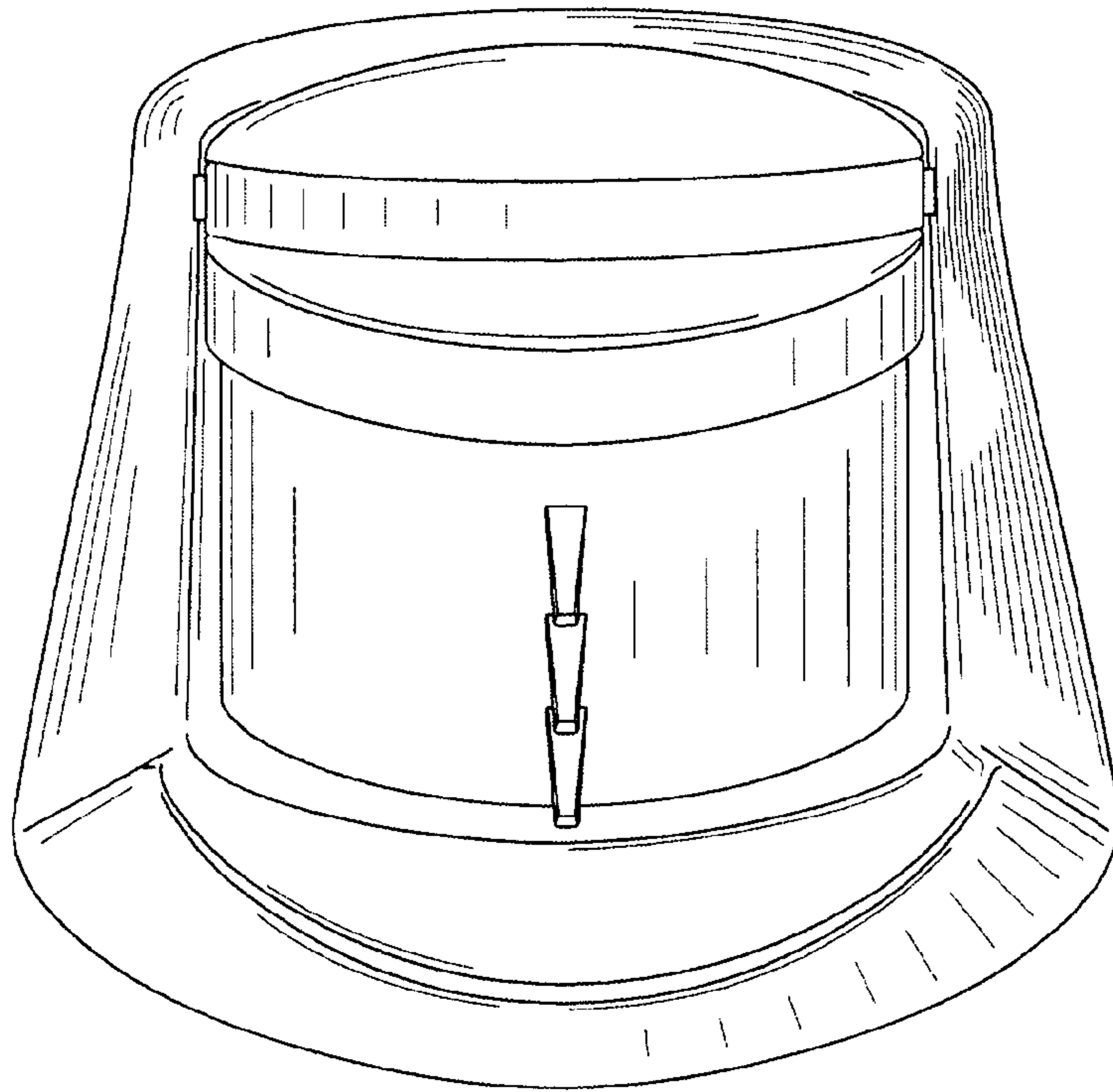


FIG. 5.

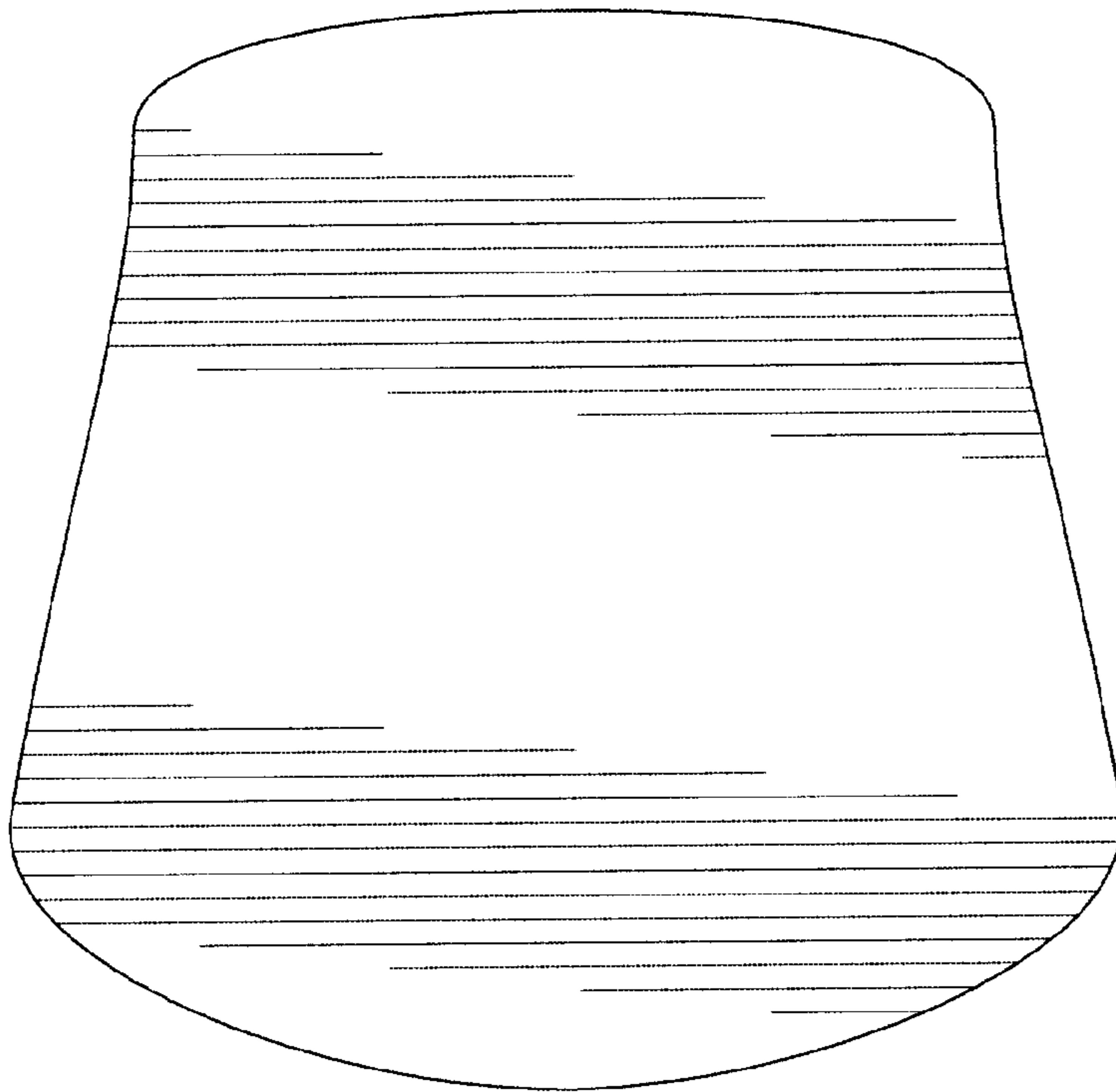


FIG. 6.

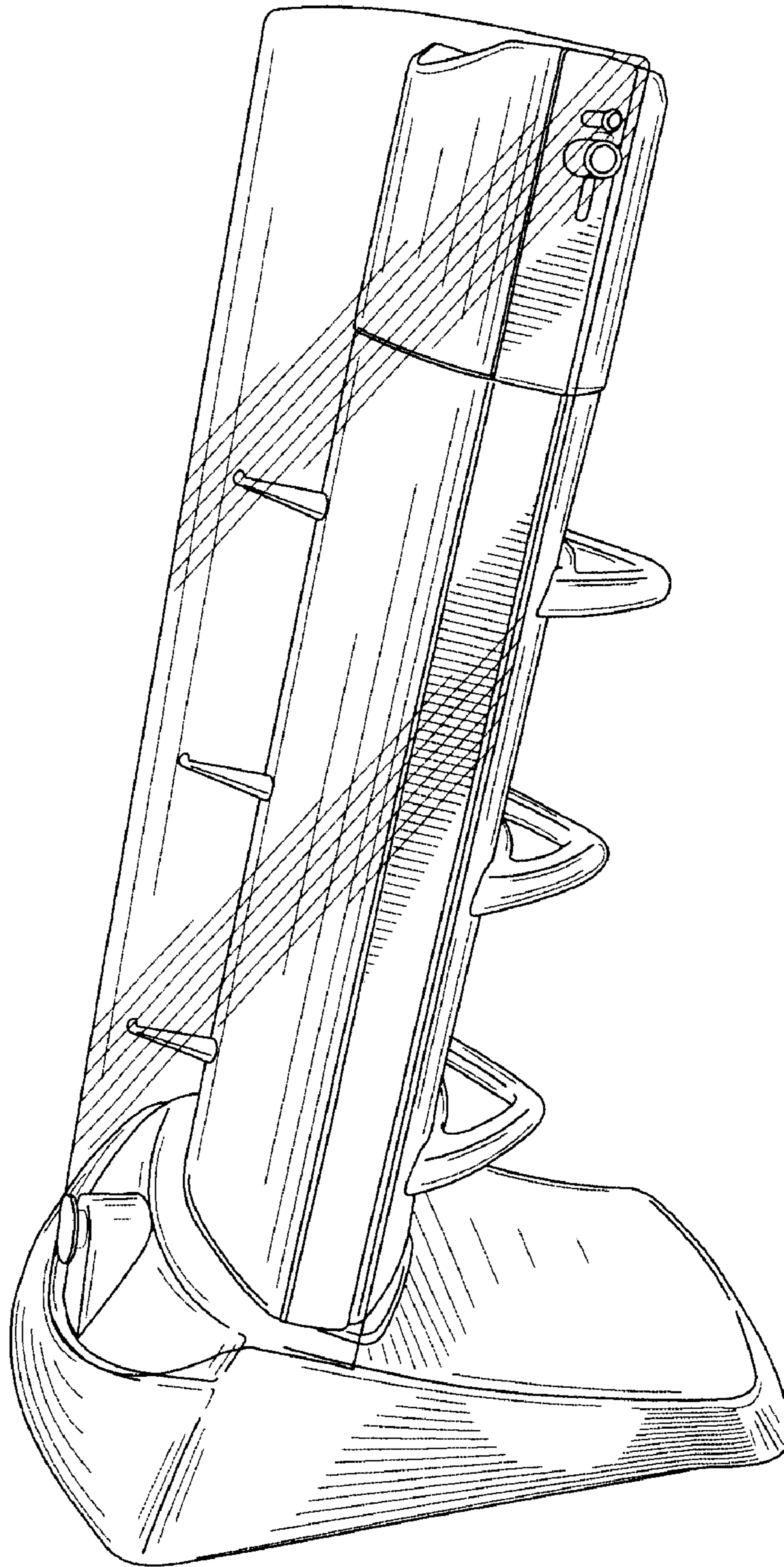


FIG. 7.

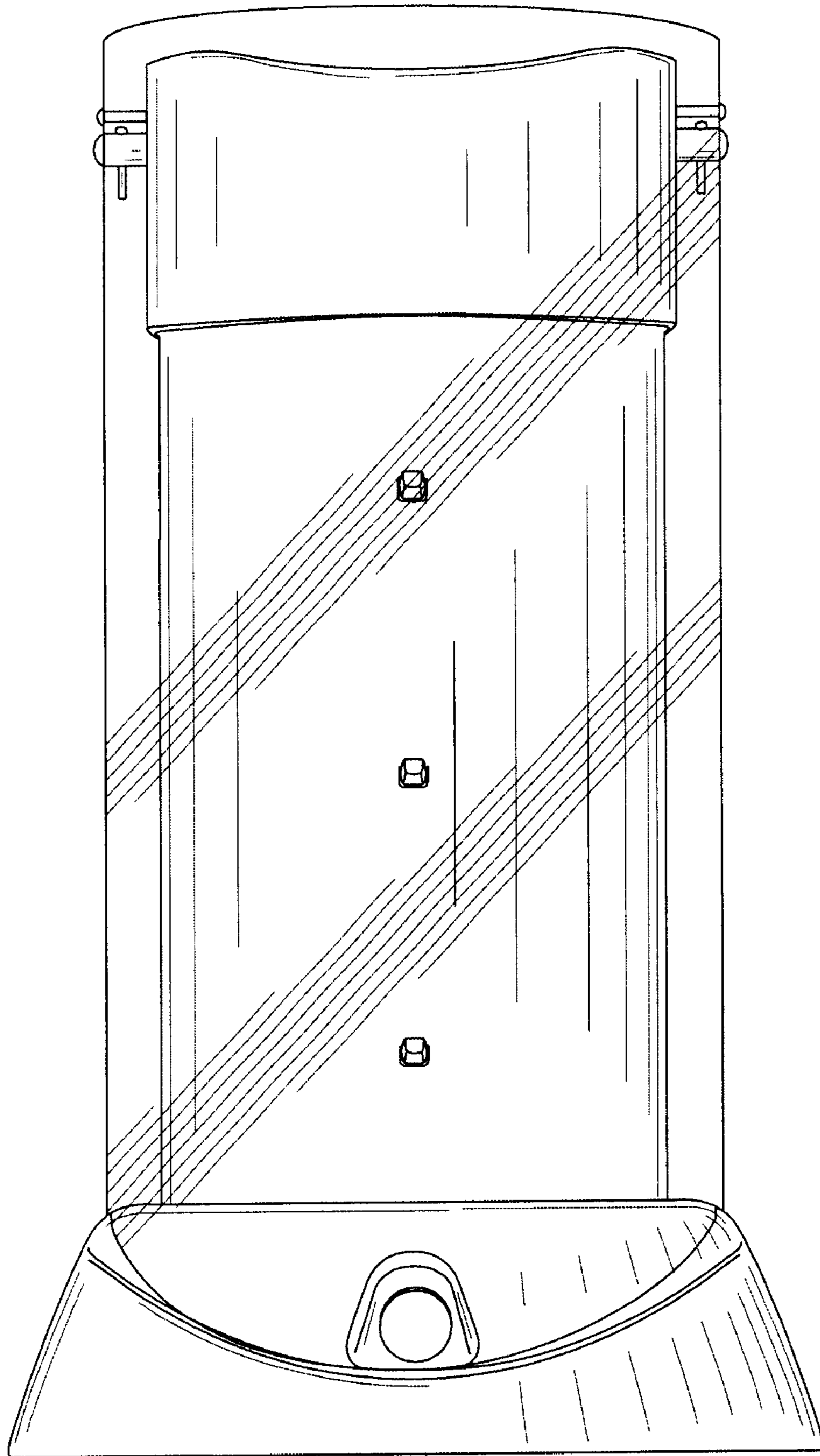


FIG. 8.

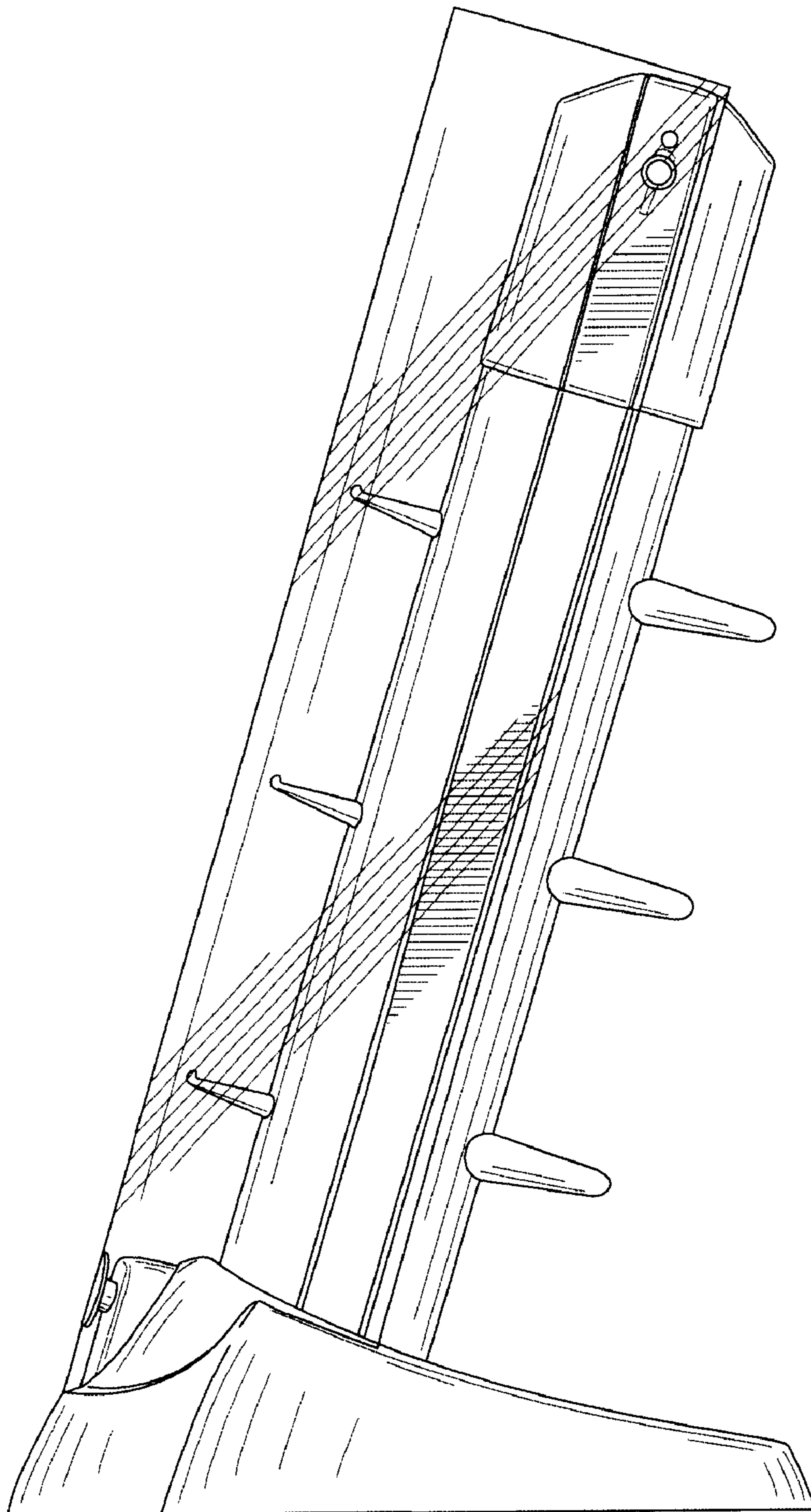


FIG. 9.

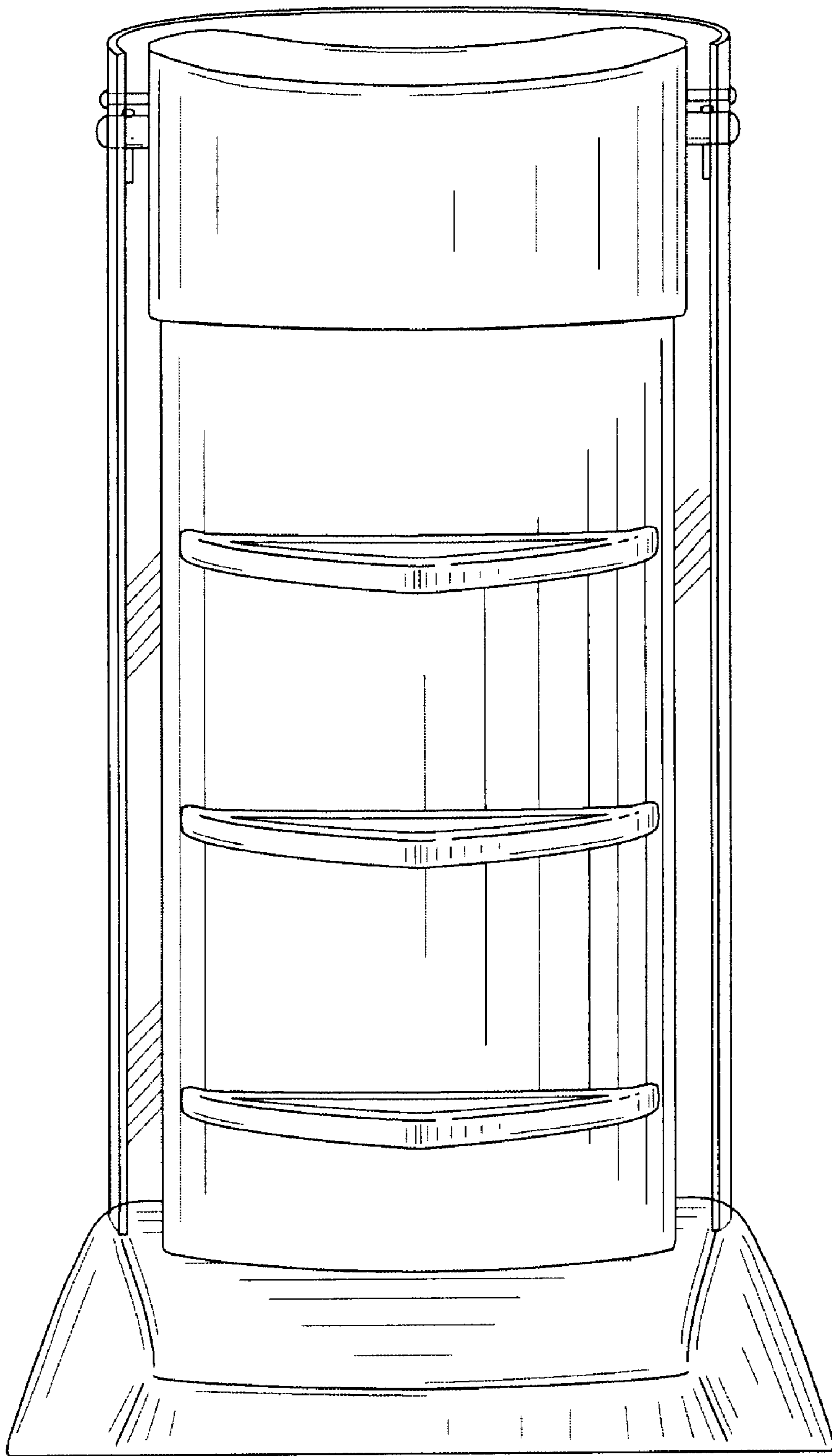


FIG. 10.

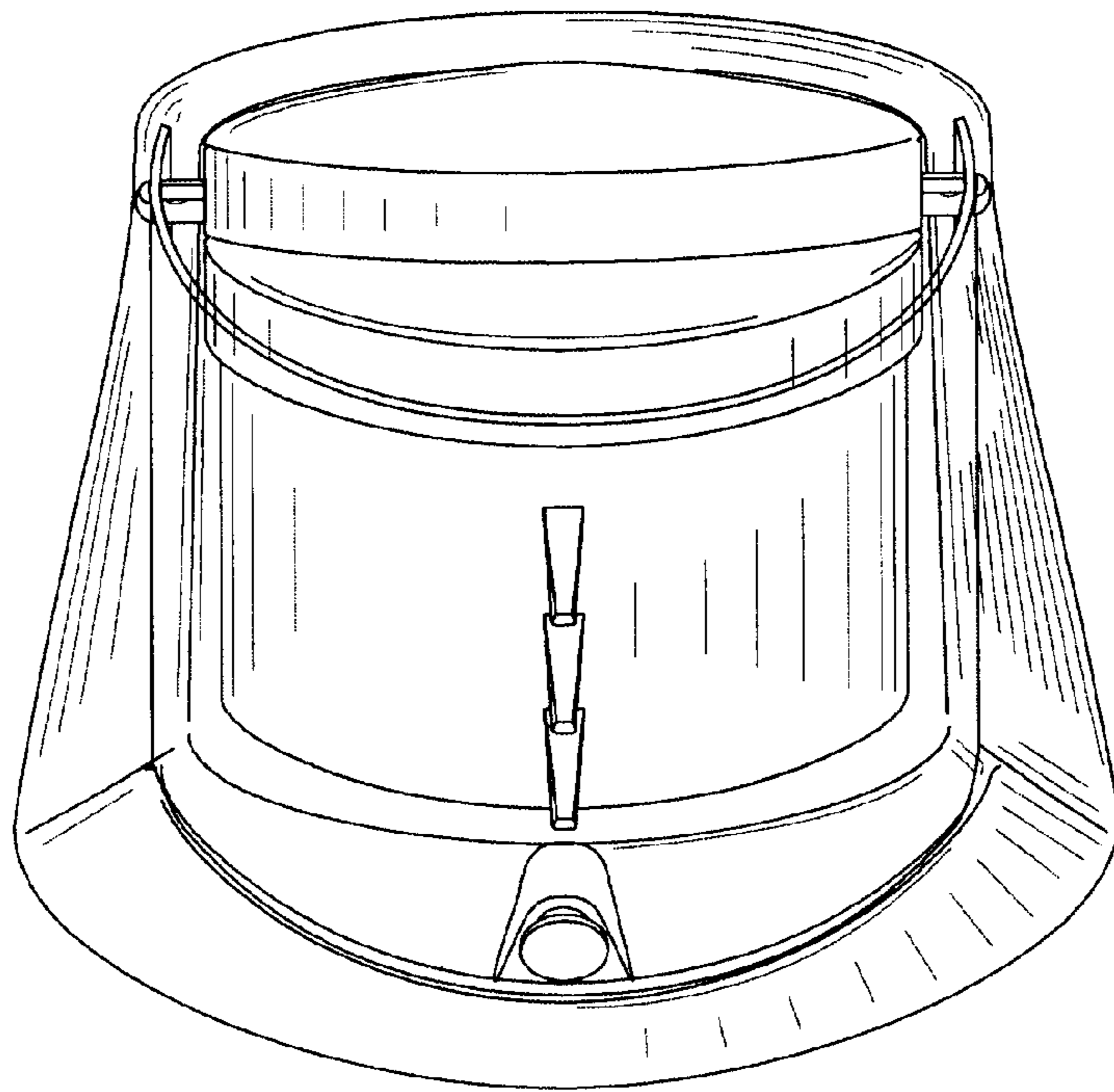


FIG. 11.

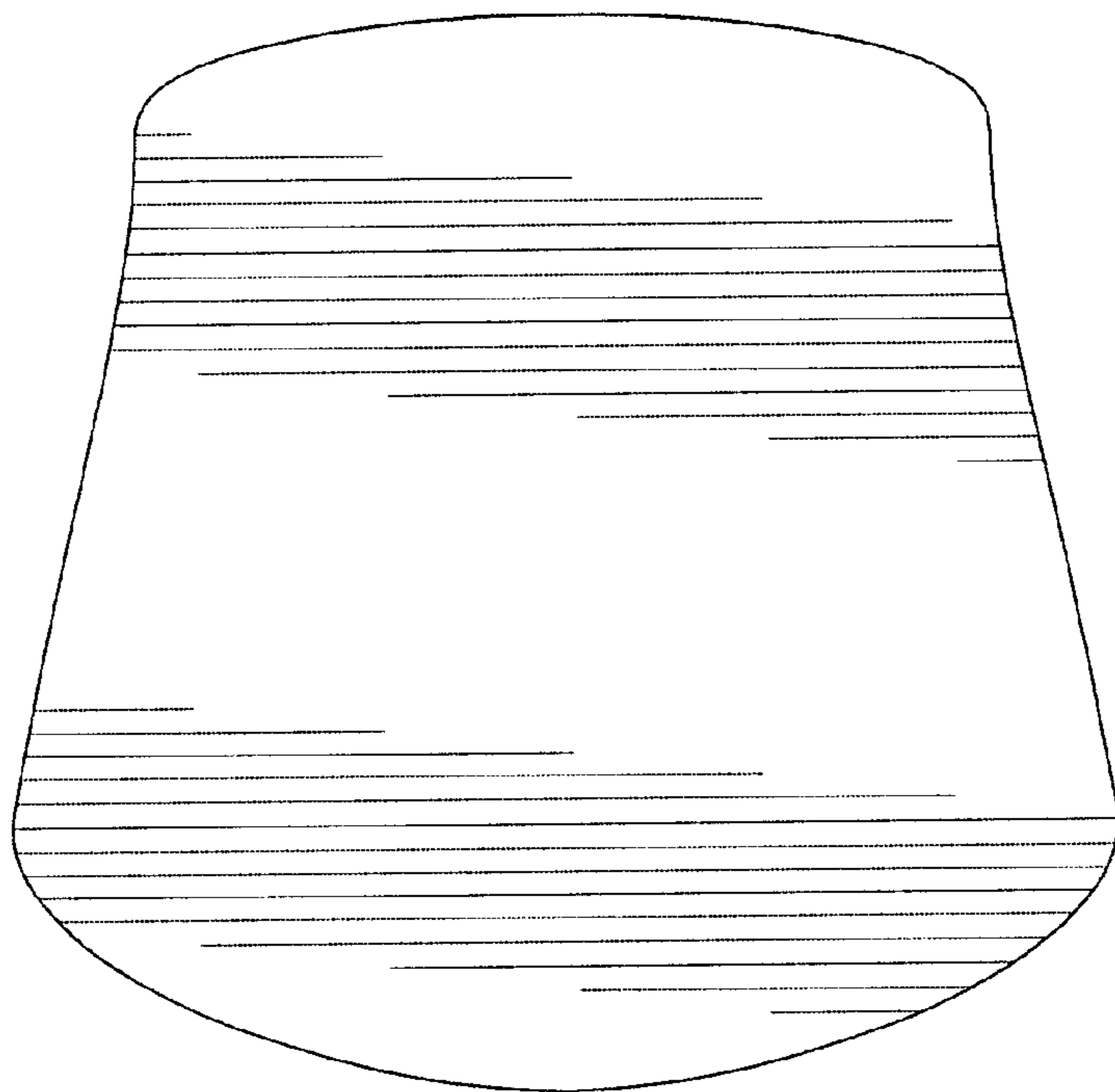


FIG. 12.