



US00D478225S

(12) **United States Design Patent**
Wang

(10) **Patent No.:** **US D478,225 S**

(45) **Date of Patent:** **** Aug. 12, 2003**

(54) **COMPUTER DESK**

(76) Inventor: **Chih-Wei Wang**, 58, Ma Yuan West St., Taichung (TW)

(**) Term: **14 Years**

(21) Appl. No.: **29/176,247**

(22) Filed: **Feb. 13, 2003**

(51) **LOC (7) Cl.** **06-04**

(52) **U.S. Cl.** **D6/426**

(58) **Field of Search** D6/480-489, 495-499, D6/511, 422-428; 108/50.01, 50.02; 312/194-196, 208.1, 208.2, 208.4, 204, 239, 238; 248/188, 188.1, 188.8

(56) **References Cited**

U.S. PATENT DOCUMENTS

- D278,770 S * 5/1985 Koguma D6/423
- 5,845,586 A * 12/1998 Moore 108/50.01
- D435,367 S * 12/2000 Tzeng D6/480

- D435,368 S * 12/2000 Tzeng D6/480
- D469,978 S * 2/2003 Wang D6/425
- D469,979 S * 2/2003 Wang D6/425
- D471,030 S * 3/2003 Chang D6/423

* cited by examiner

Primary Examiner—Janice E. Seeger

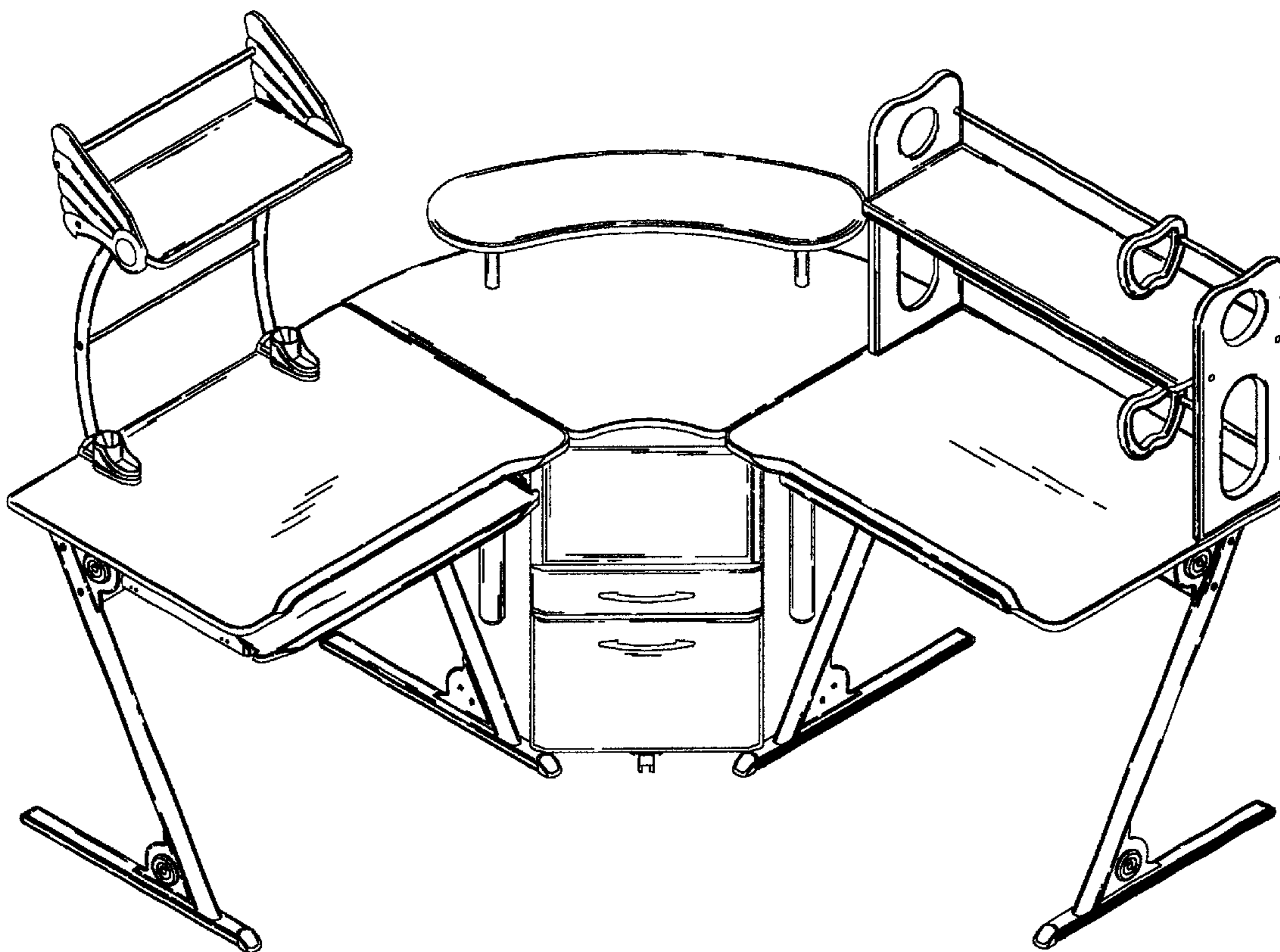
(57) **CLAIM**

The ornamental design for a computer desk, as shown and described.

DESCRIPTION

FIG. 1 is a front elevational view of a computer desk showing my new design;
 FIG. 2 is a rear elevational view thereof;
 FIG. 3 is a left side elevational view thereof;
 FIG. 4 is a right side elevational view thereof;
 FIG. 5 is a top plan view thereof;
 FIG. 6 is a bottom plan view thereof; and,
 FIG. 7 is a perspective view thereof.

1 Claim, 7 Drawing Sheets



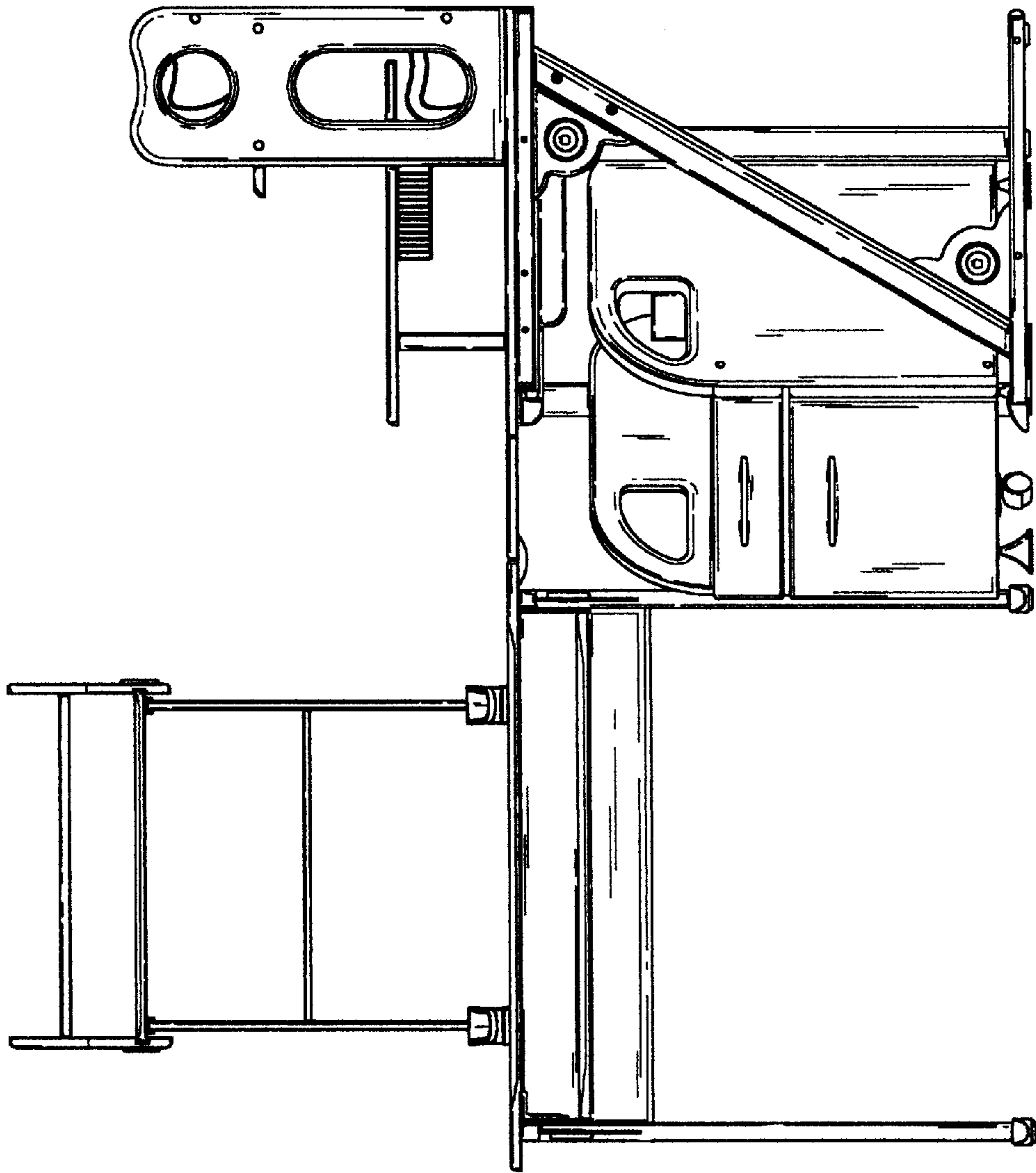


FIG. 1

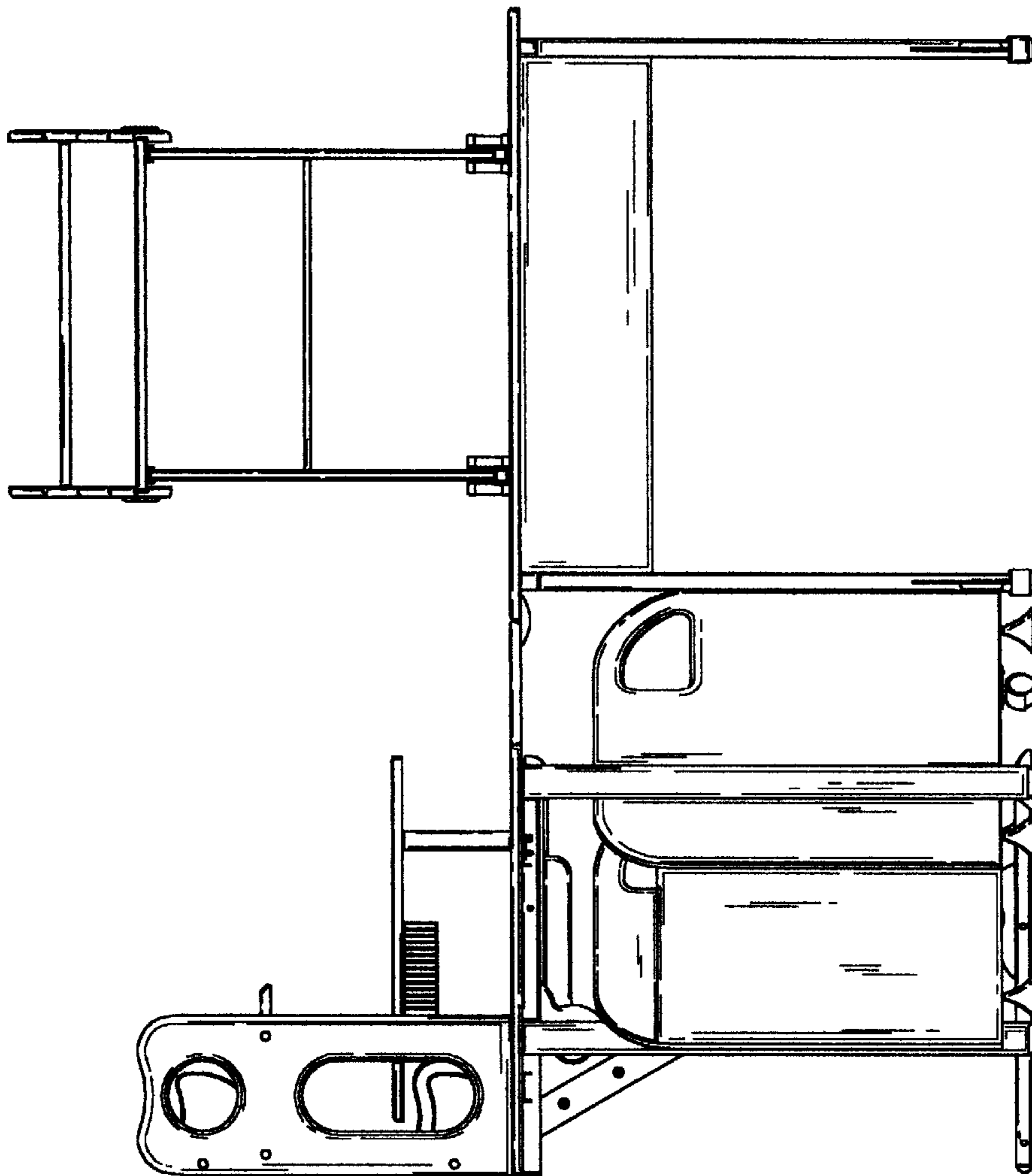


FIG. 2

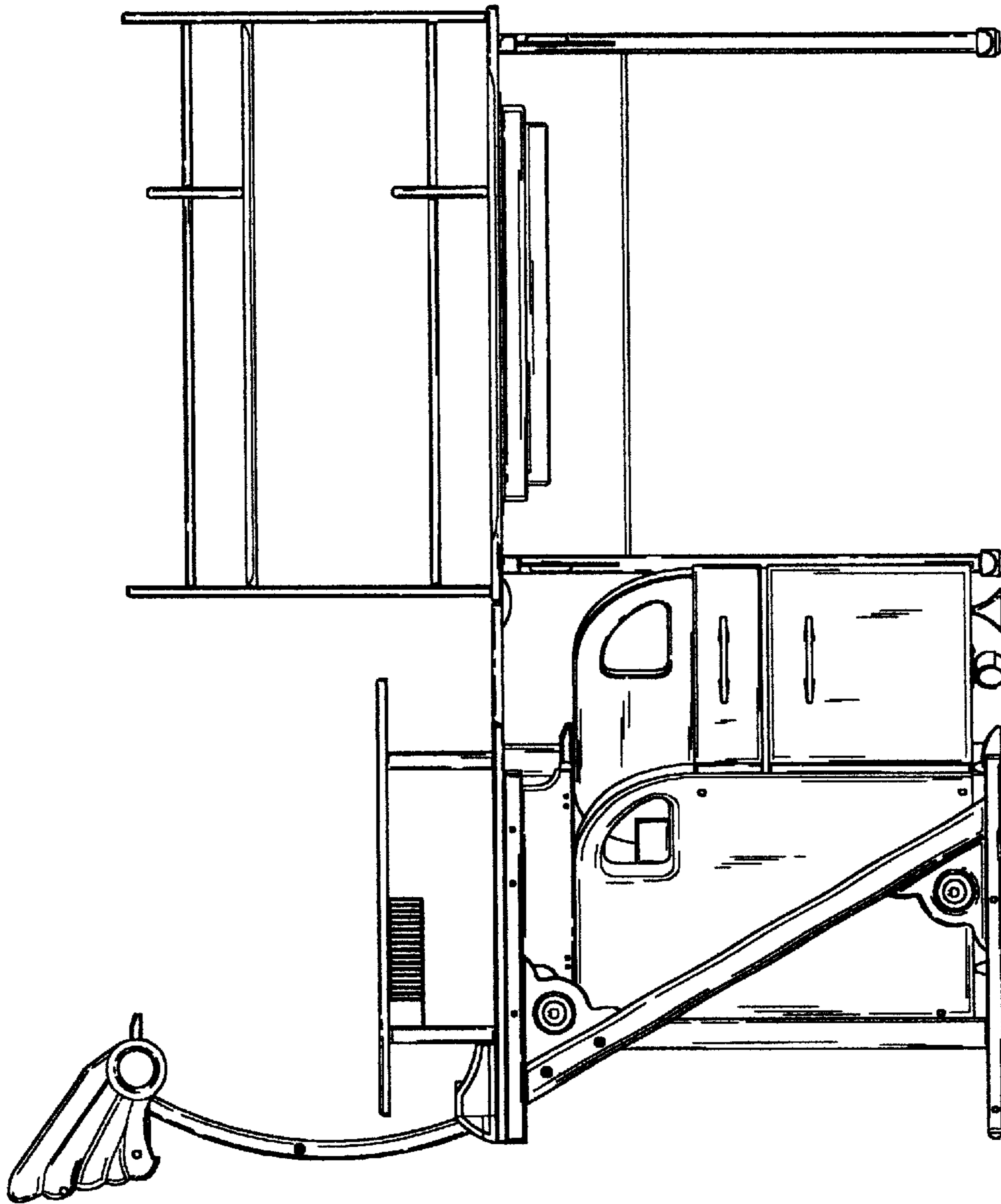


FIG. 3

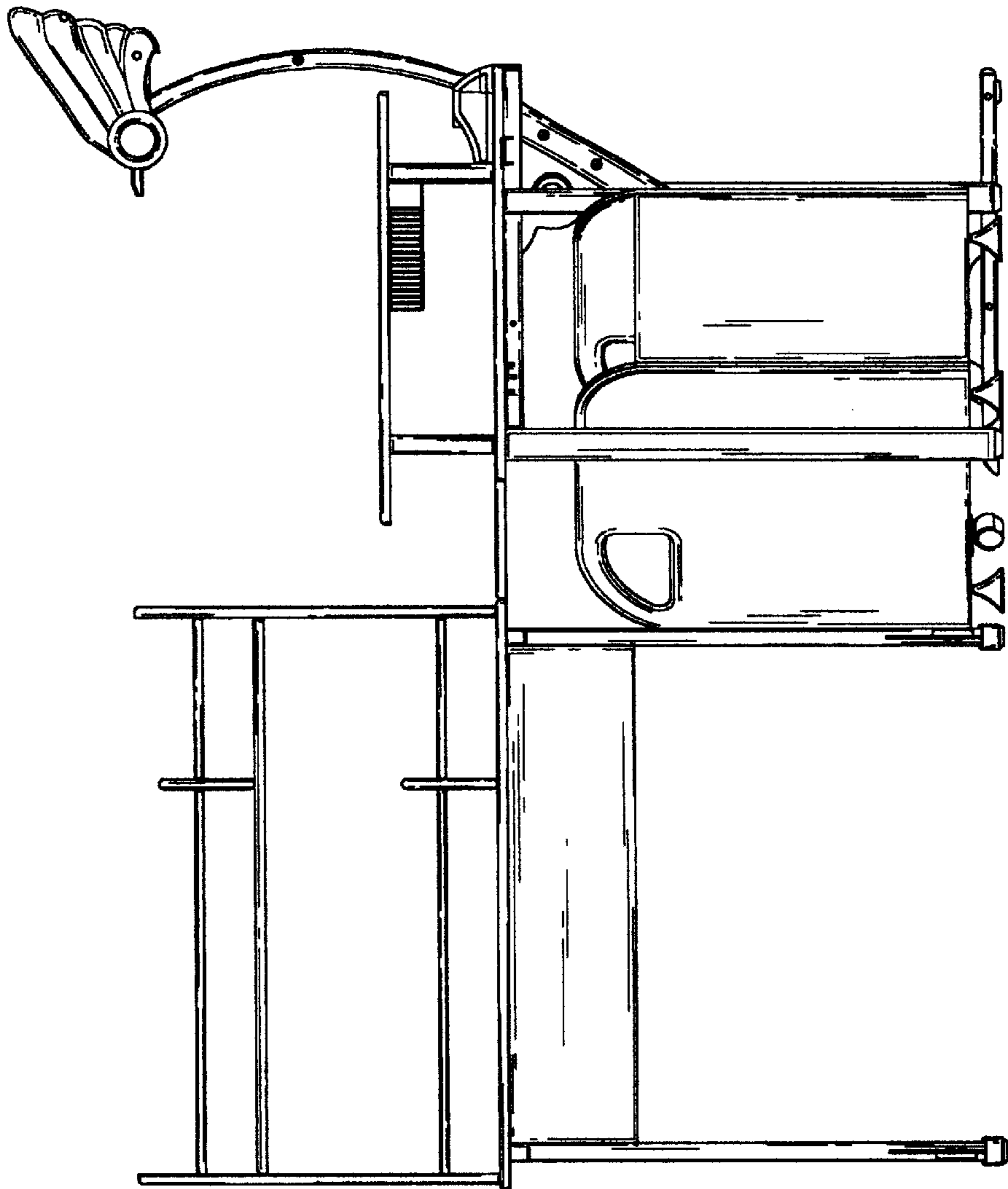


FIG. 4

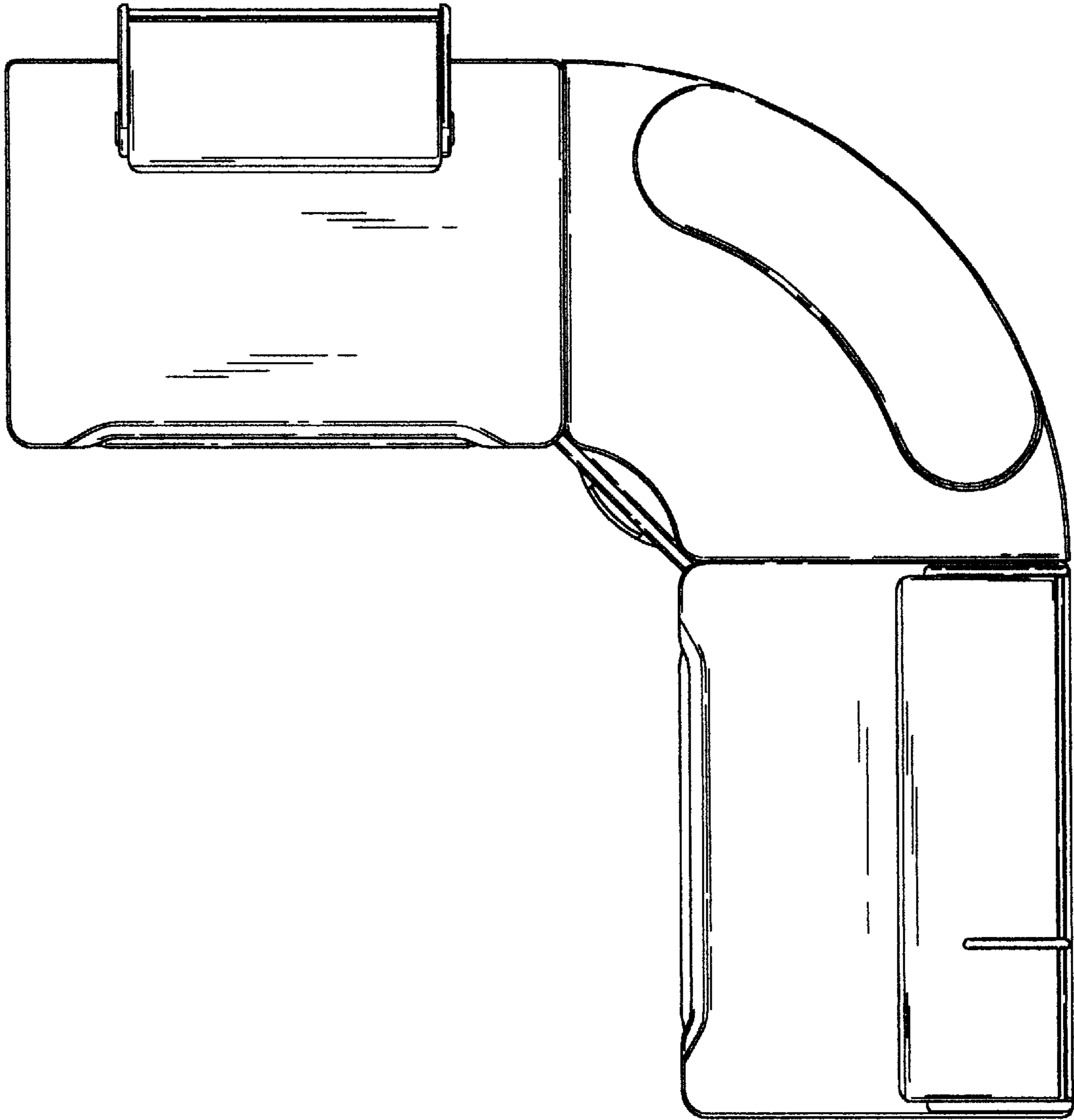


FIG. 5

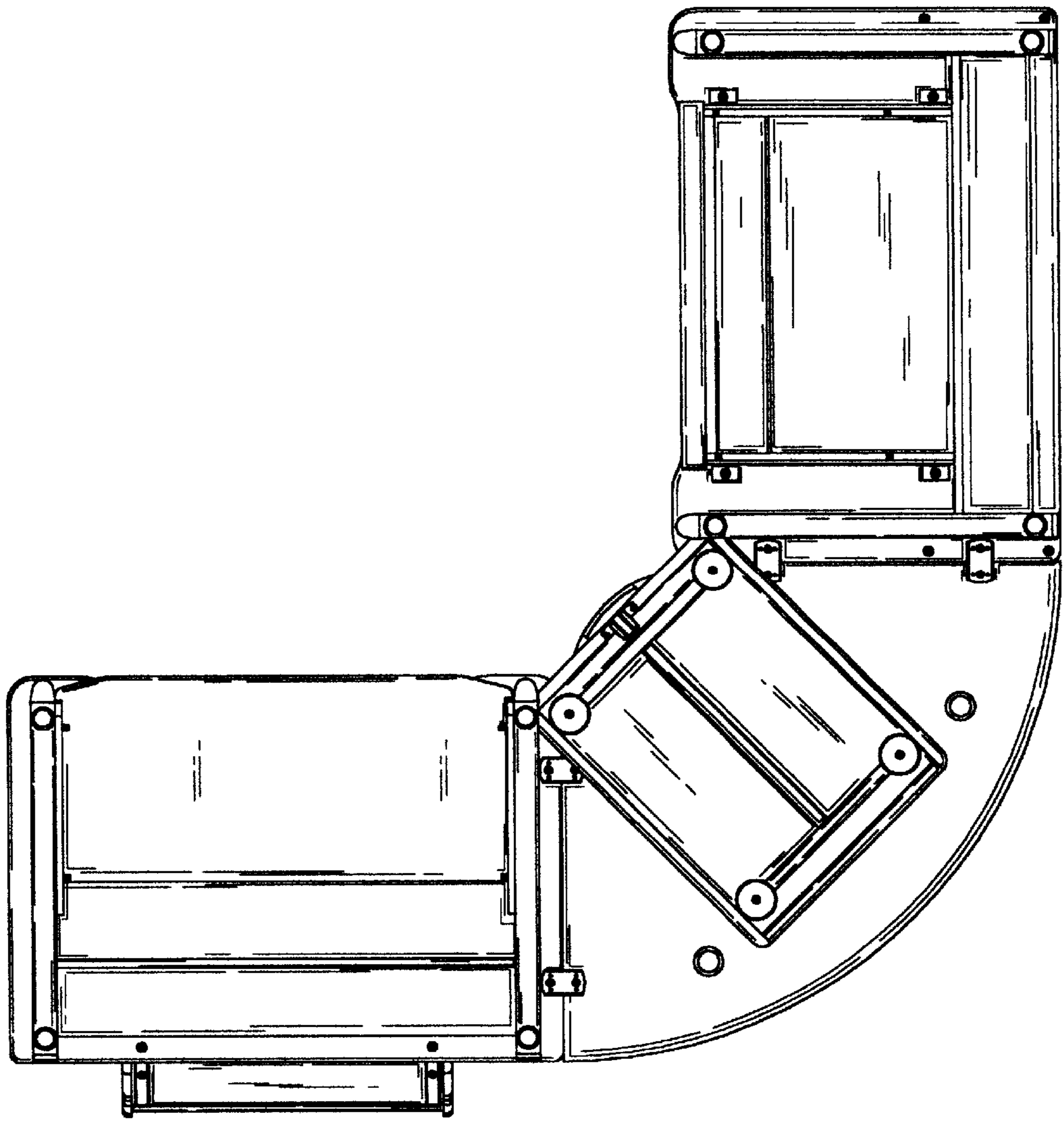


FIG. 6

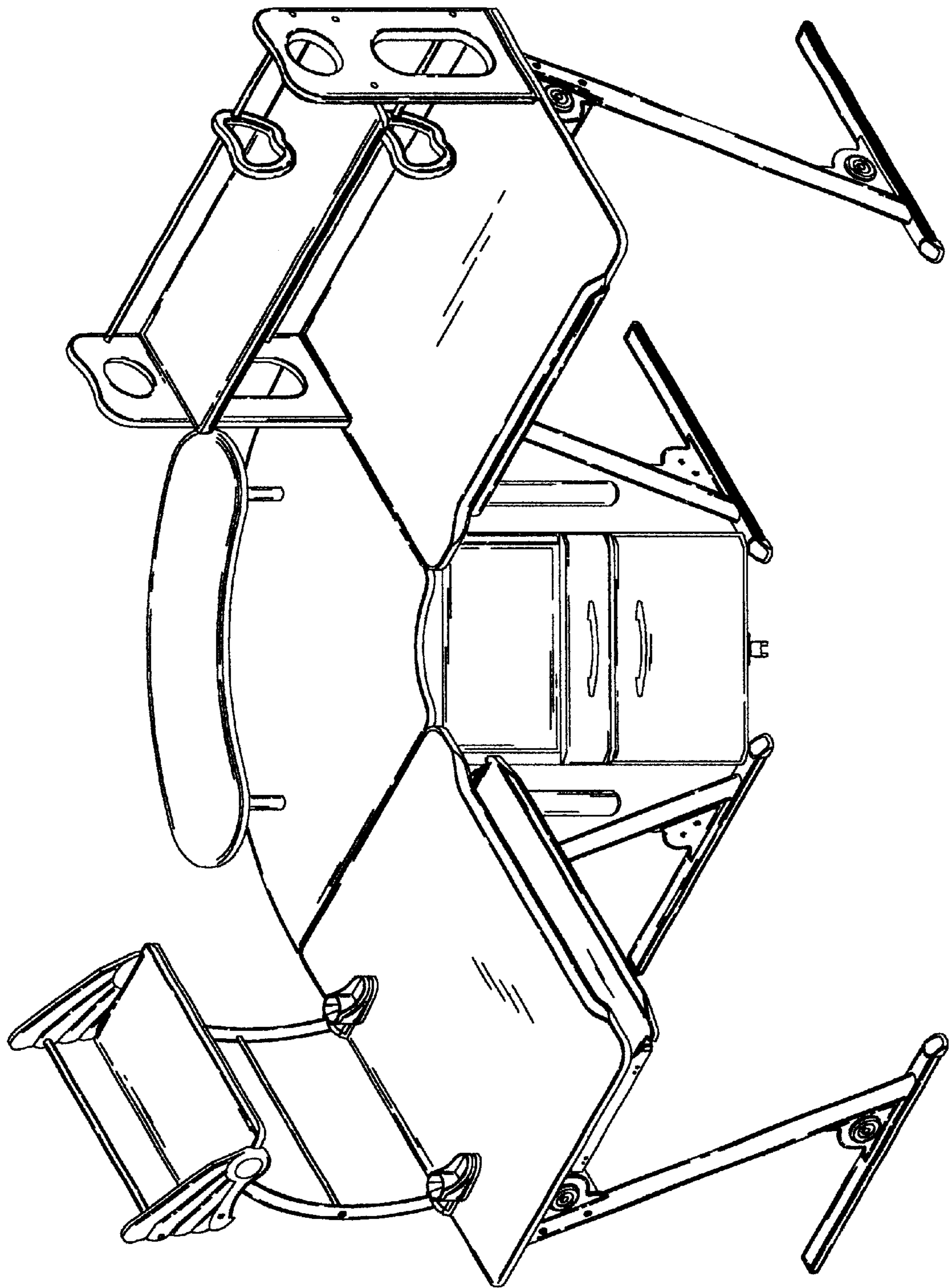


FIG. 7