



US00D478223S

(12) **United States Design Patent**
Lúthersson

(10) **Patent No.:** **US D478,223 S**

(45) **Date of Patent:** **** Aug. 12, 2003**

(54) **SEAT**

(75) Inventor: **Pétur B. Lúthersson**, Reykjavik (IS)

(73) Assignee: **Beaufurn, LLC**, Clemmons, NC (US)

(**) Term: **14 Years**

(21) Appl. No.: **29/155,147**

(22) Filed: **Feb. 4, 2002**

(51) **LOC (7) Cl.** **06-01**

(52) **U.S. Cl.** **D6/376; D6/360; D6/380**

(58) **Field of Search** **D6/334, 358, 360,**
D6/374, 376, 379, 380, 500, 501, 502;
297/445.1, 446.1

(56) **References Cited**

U.S. PATENT DOCUMENTS

D85,387 S	*	10/1931	Moore et al.	D6/376
D141,379 S	*	5/1945	Panzer	D6/360
D179,442 S	*	12/1956	Collins	D6/376
D356,696 S	*	3/1995	Arthur, Jr.	D6/376
D361,906 S	*	9/1995	Arthur, Jr.	D6/376
D434,574 S	*	12/2000	Walters-Dowding et al.		D6/360
D434,577 S	*	12/2000	Marek	D6/376
D454,440 S	*	3/2002	Tseng	D6/376

OTHER PUBLICATIONS

Cosco, p. 3, stool shown, model 2-D.*
Beka Casting Limited, p. 4, chair at bottom.*

* cited by examiner

Primary Examiner—Gary D. Watson

(74) *Attorney, Agent, or Firm*—MacCord Mason PLLC

(57) **CLAIM**

The ornamental design for seat, as shown and described.

DESCRIPTION

FIG. 1 is a perspective view of a seat showing my new design;

FIG. 2 is a front view thereof;

FIG. 3 is a side view, the opposite side being mirror image thereof;

FIG. 4 is a top view thereof; and

FIG. 5 is a back view thereof.

FIG. 6 is a perspective view of the second embodiment showing my new design;

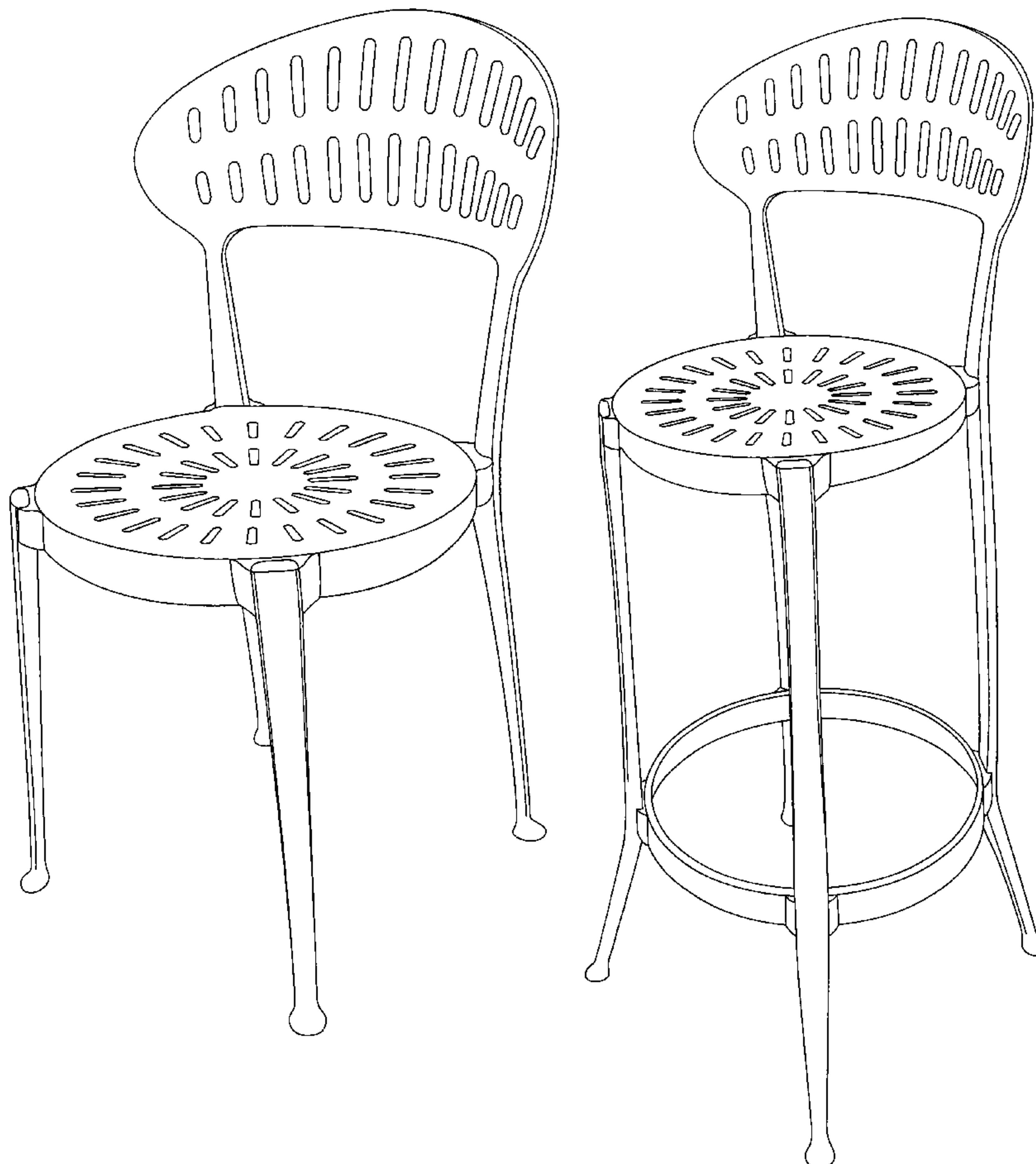
FIG. 7 is a front view thereof;

FIG. 8 is a side view of the second embodiment, the opposite side being a mirror image thereof;

FIG. 9 is a top view thereof; and,

FIG. 10 is a back view thereof.

1 Claim, 10 Drawing Sheets



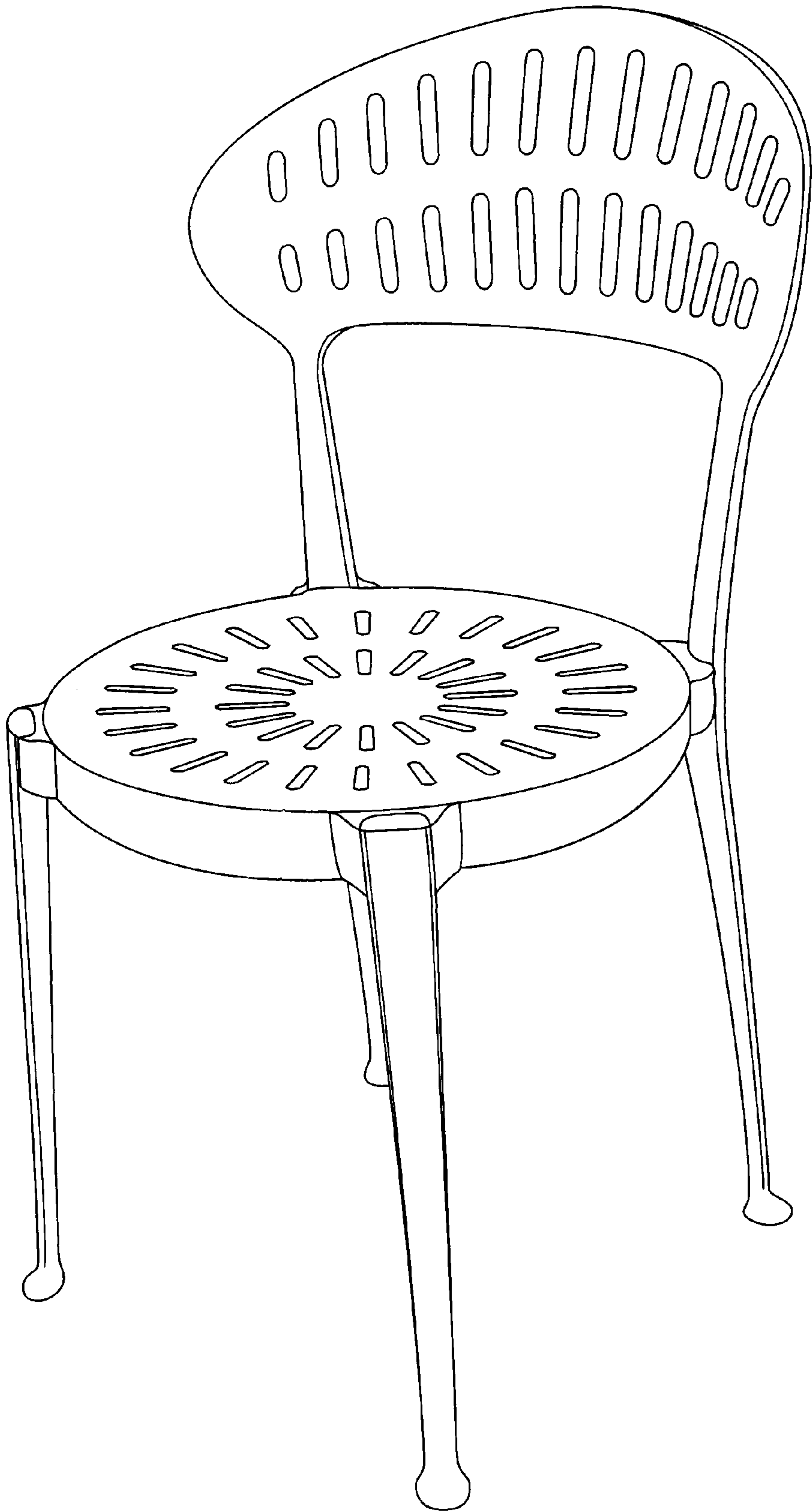


FIG. 1

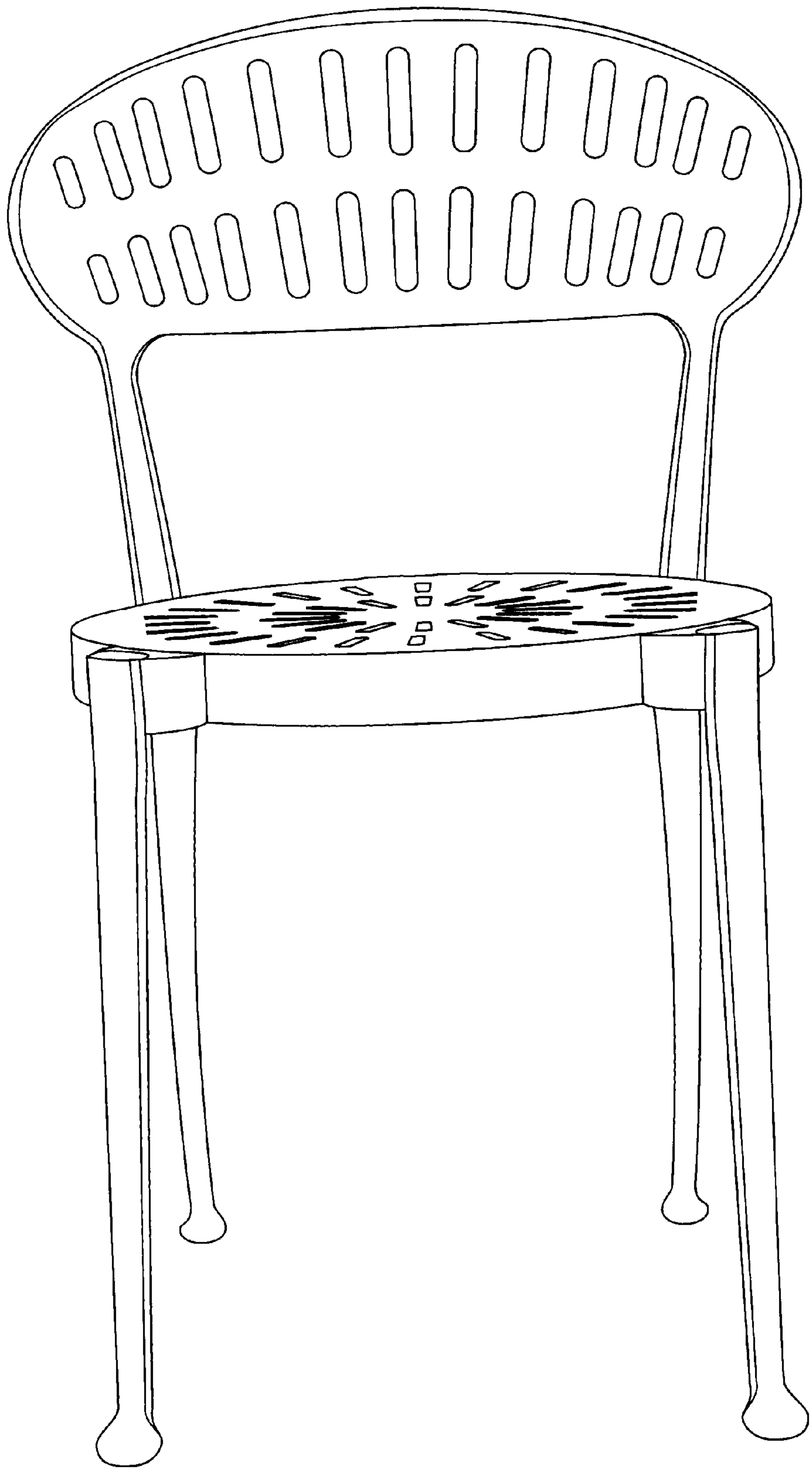


FIG. 2

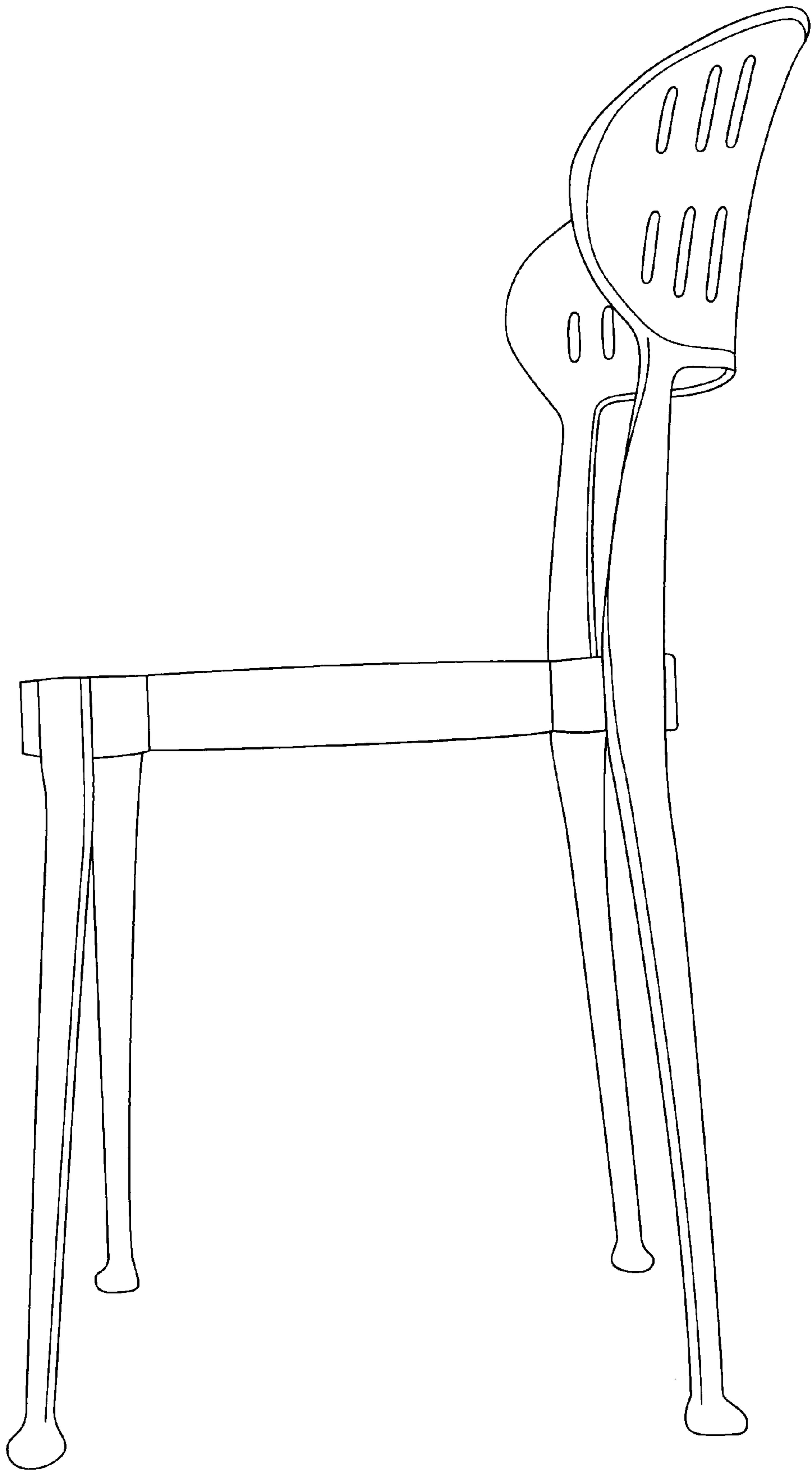


FIG. 3

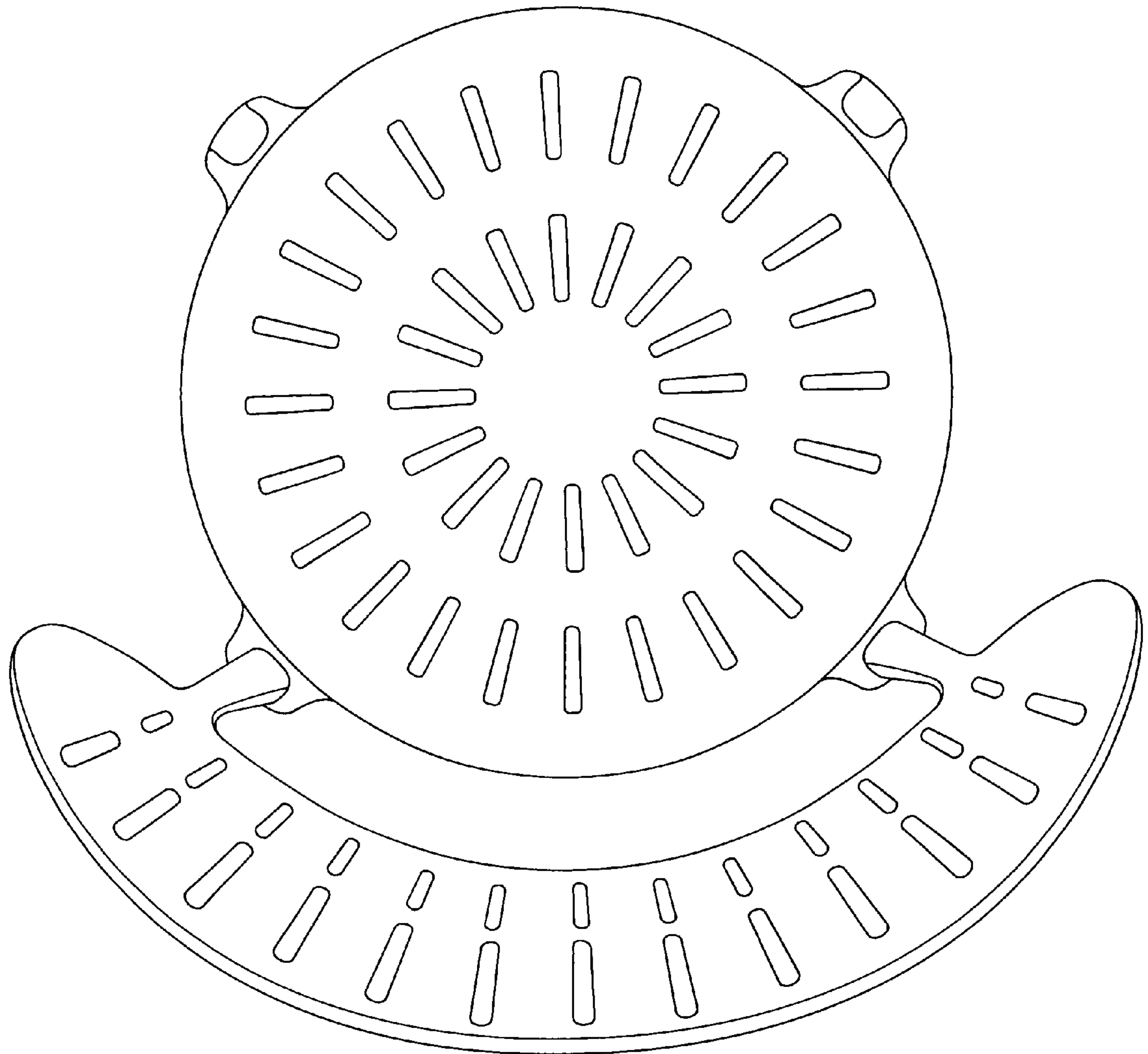


FIG. 4

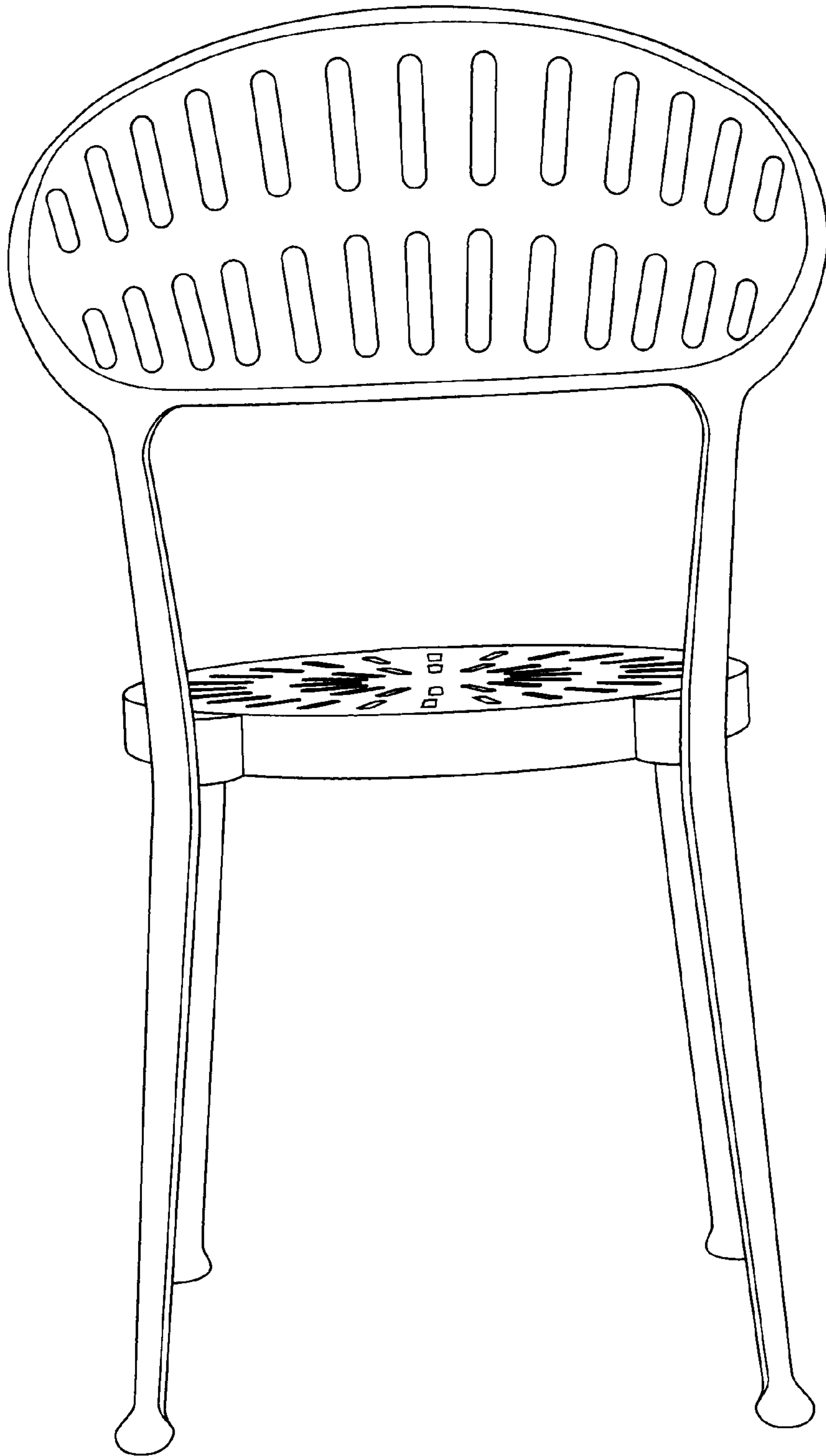


FIG. 5

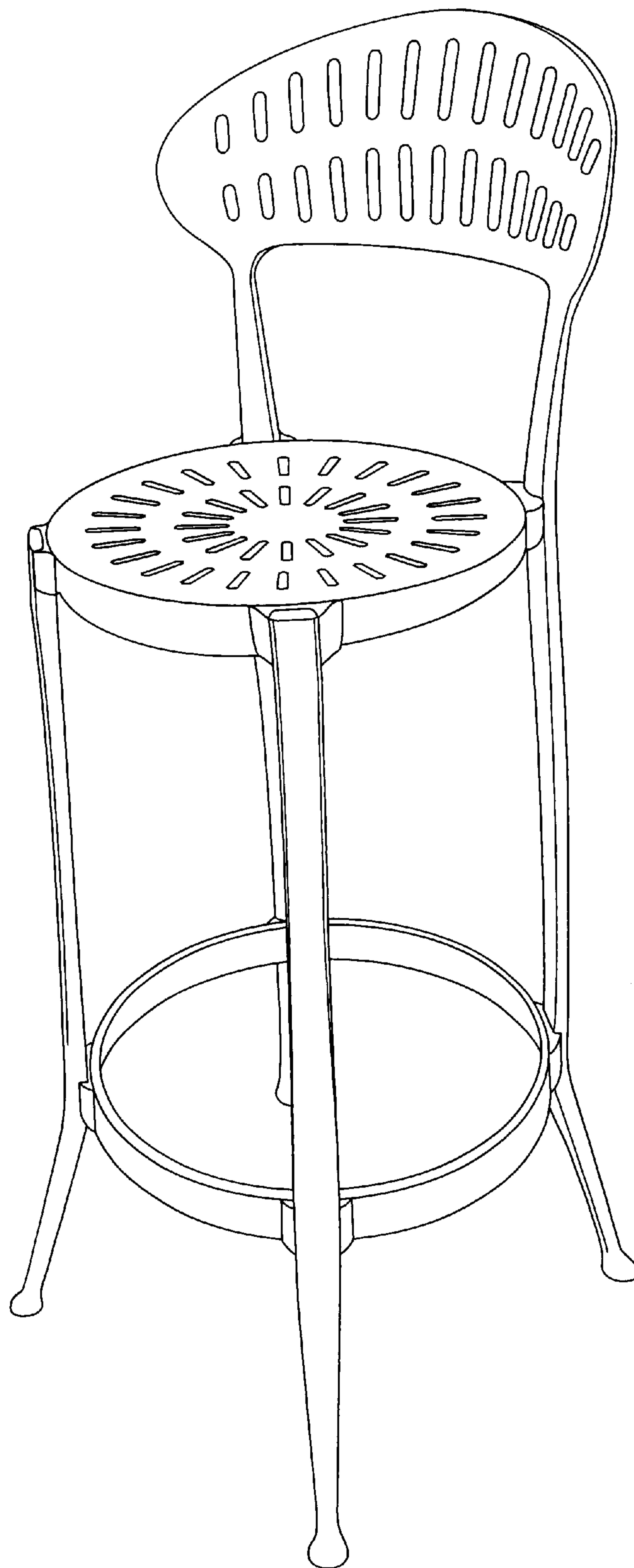


FIG. 6

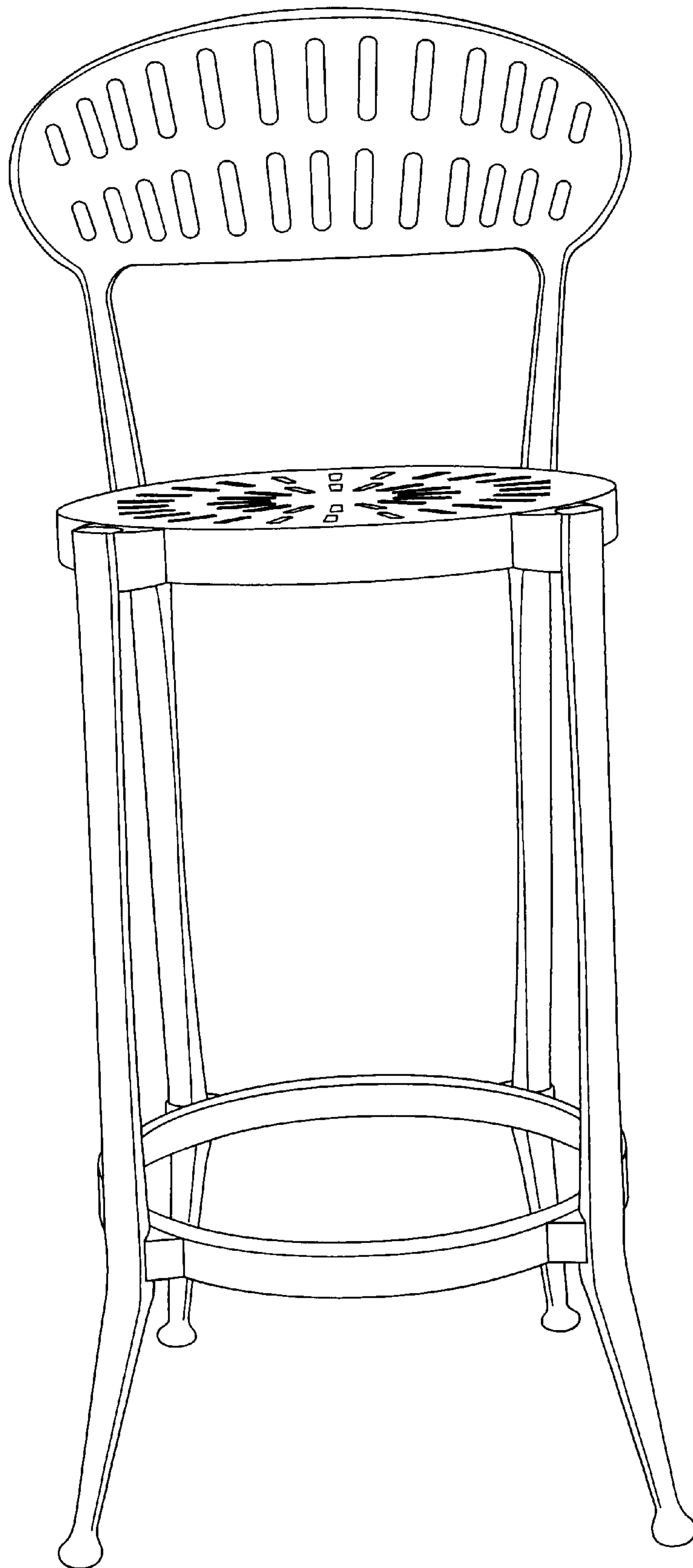


FIG. 7

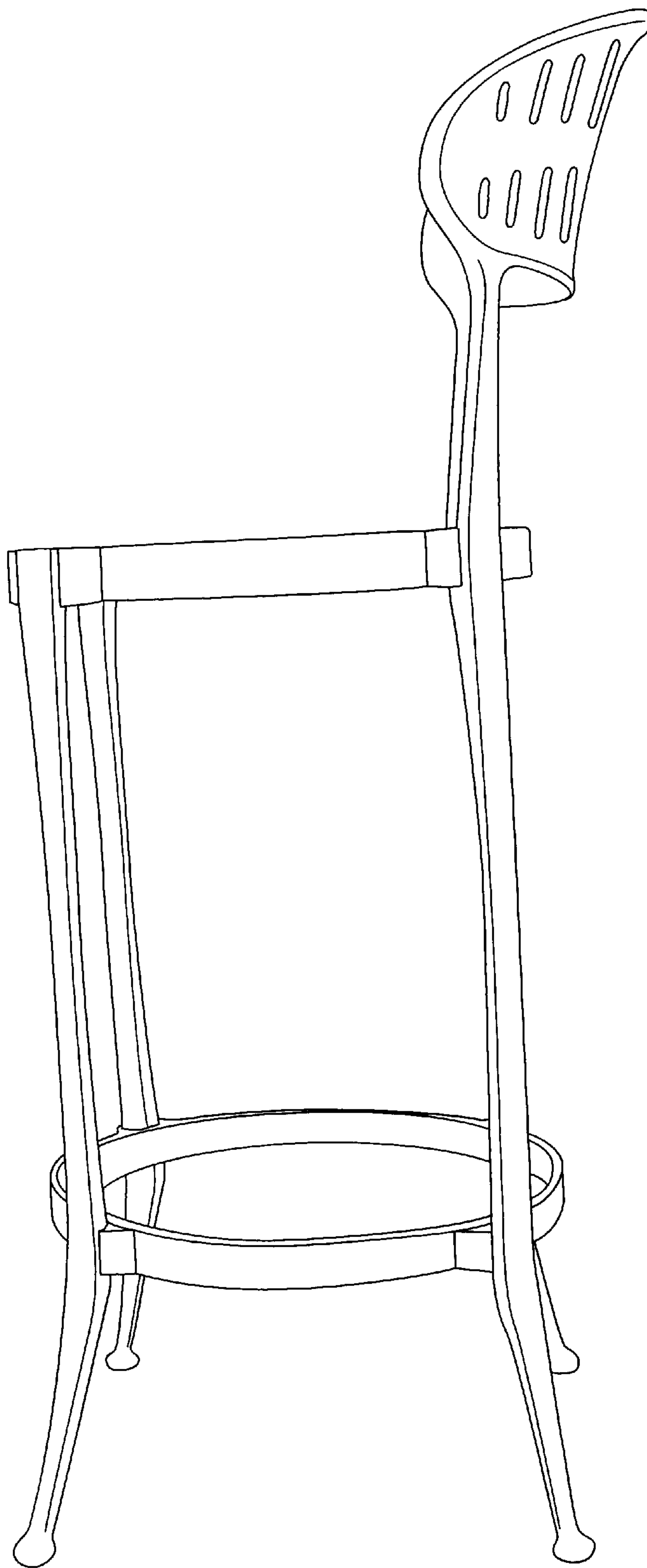


FIG. 8

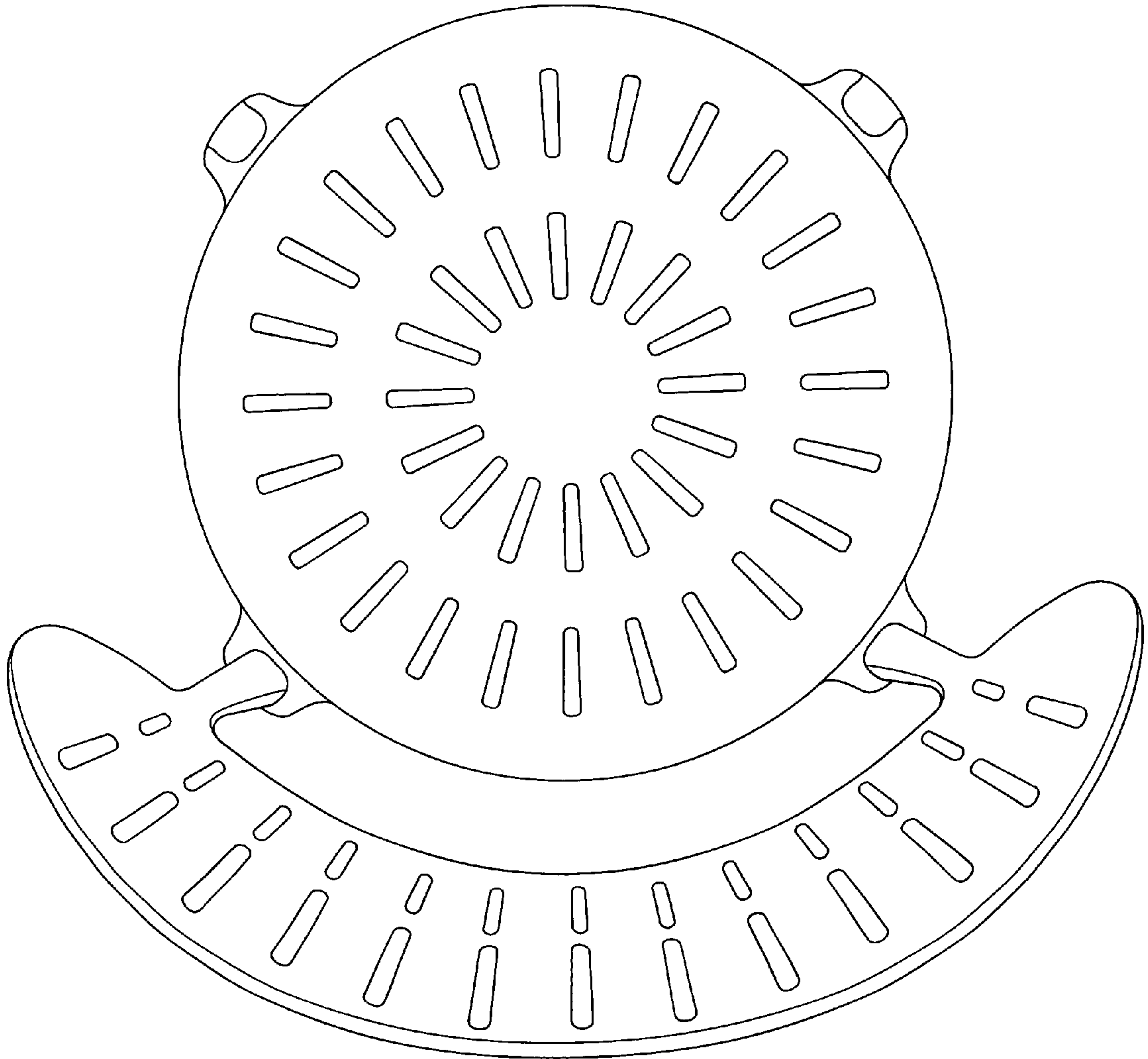


FIG. 9

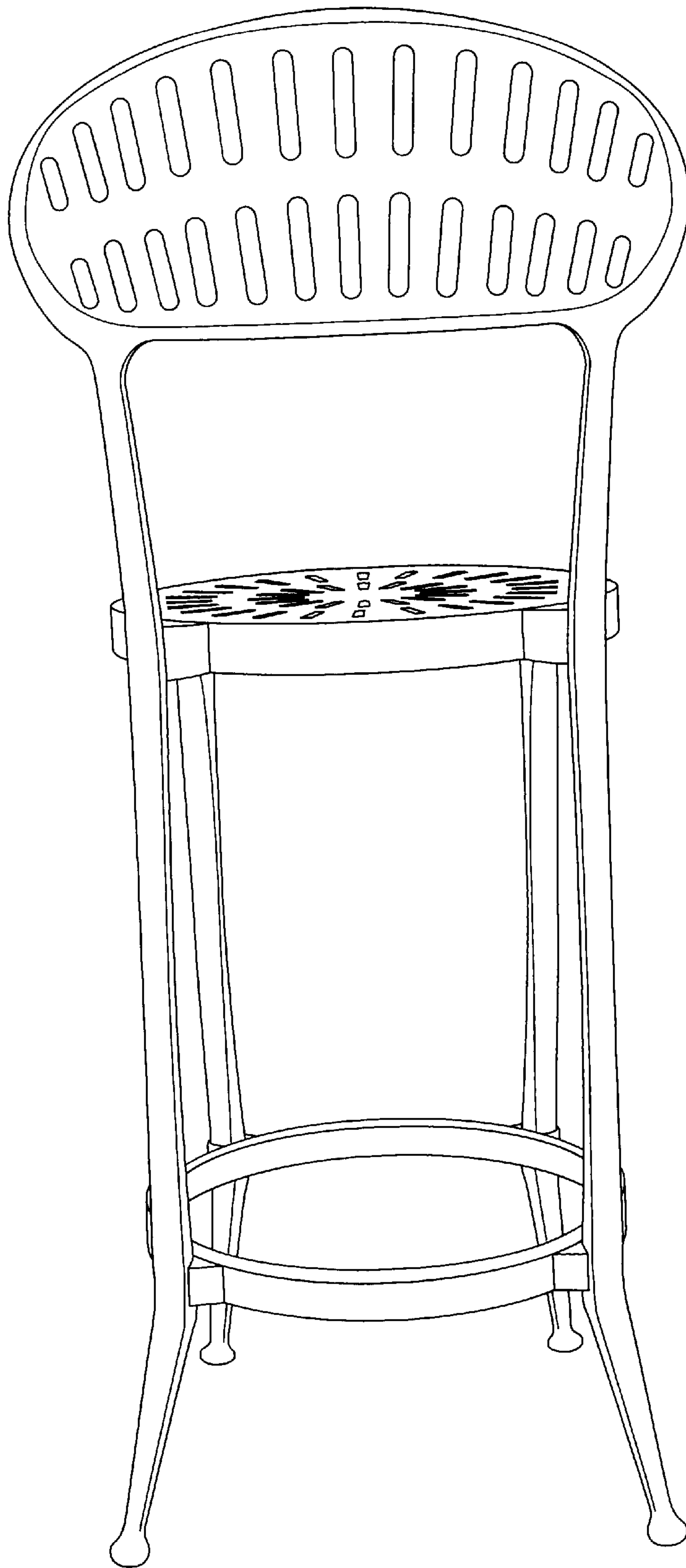


FIG. 10