



US00D478219S

(12) **United States Design Patent**
Greger

(10) **Patent No.:** **US D478,219 S**

(45) **Date of Patent:** **** Aug. 12, 2003**

(54) **HIGH CHAIR**

(75) Inventor: **Jeff G. Greger**, Lititz, PA (US)

(73) Assignee: **Graco Children's Products Inc.**,
Exton, PA (US)

(**) Term: **14 Years**

(21) Appl. No.: **29/159,467**

(22) Filed: **Apr. 23, 2002**

(51) **LOC (7) Cl.** **06-01**

(52) **U.S. Cl.** **D6/339**

(58) **Field of Search** D6/333, 334, 335,
D6/336, 338, 339, 344, 347, 348, 491,
500-502; D12/128, 129; D7/553.1, 553.2,
553.5; 297/148, 149, 151, 153, 174, 250.1,
273, 274

(56) **References Cited**

U.S. PATENT DOCUMENTS

1,945,781 A 2/1934 Kersten
2,691,411 A 10/1954 Thatcher
2,790,484 A 4/1957 Pollack

(List continued on next page.)

OTHER PUBLICATIONS

Photographs of Fisher-Price High Chair, 4 pp. (available pre-Apr. 2002).

Brochure, "Fisher-Price Healthy Care™ High Chair," pp 1-16, (Mattel, Inc. 2001).

Primary Examiner—Doris V. Coles

Assistant Examiner—Mimosa De

(74) *Attorney, Agent, or Firm*—Foley & Lardner

(57) **CLAIM**

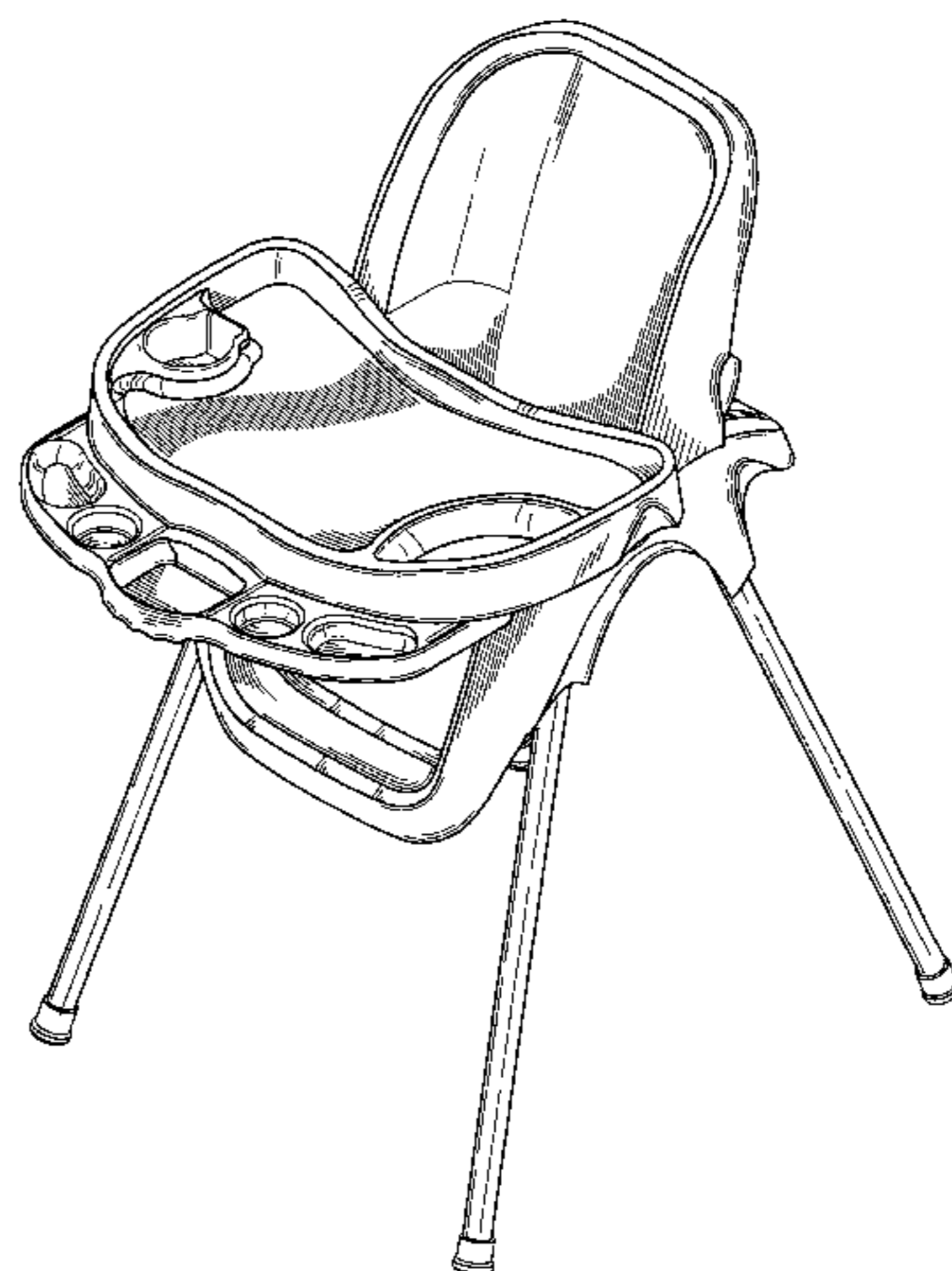
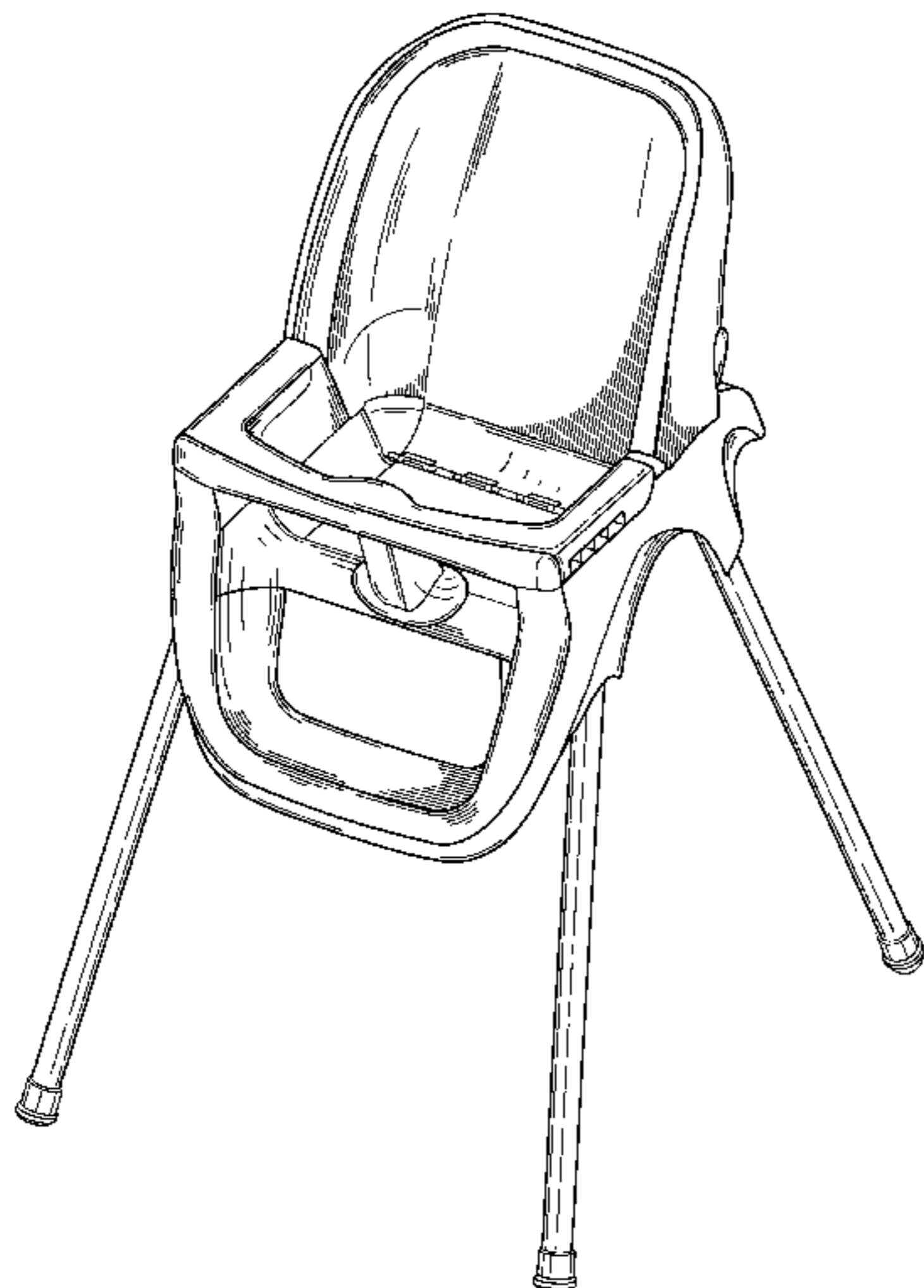
The ornamental design for a high chair, as shown and described.

DESCRIPTION

FIG. 1 is a front perspective view of my new design with the tray omitted for the convenience of illustration;
FIG. 2 is a front elevation view thereof;
FIG. 3 is a rear elevation view thereof;
FIG. 4 is a left side elevation view thereof;
FIG. 5 is a right side elevation view thereof;
FIG. 6 is a top plan view thereof;
FIG. 7 is a bottom plan view thereof;
FIG. 8 is a front perspective view of my new design with a tray system;
FIG. 9 is a front elevation view thereof;
FIG. 10 is a rear elevation view thereof;
FIG. 11 is a left side elevation view thereof;
FIG. 12 is a right side elevation thereof;
FIG. 13 is a top plan view thereof;
FIG. 14 is a bottom plan view thereof;
FIG. 15 is a front perspective view of another arrangement of my new design with a tray system;
FIG. 16 is a front elevation view thereof;
FIG. 17 is a rear elevation view thereof;
FIG. 18 is a left side elevation view thereof;
FIG. 19 is a right side elevation thereof;
FIG. 20 is a top plan view thereof;
FIG. 21 is a bottom plan view thereof;
FIG. 22 is a front perspective view of my new design with a tray system in which an auxiliary tray is shown in a retracted position;
FIG. 23 is a front elevation view thereof;
FIG. 24 is a rear elevation view thereof;
FIG. 25 is a left side elevation view thereof;
FIG. 26 is a right side elevation thereof;
FIG. 27 is a top plan view thereof; and,
FIG. 28 is a bottom plan view thereof.

The broken lines shown in the drawing are for illustrative purposes only and form no part of the claimed design.

1 Claim, 28 Drawing Sheets



US D478,219 S

Page 2

U.S. PATENT DOCUMENTS

D184,192 S	*	12/1958	Peterson	D6/339	5,507,550 A	4/1996	Maloney		
D188,844 S	*	9/1960	Scheffey, Jr.	D6/339	5,527,096 A	6/1996	Shimer		
D192,731 S	*	5/1962	Gelman	D6/339	D373,029 S	*	8/1996	Mariol et al. D6/339	
D201,960 S	*	8/1965	Lay et al.	D6/339	D381,817 S		8/1997	Cone, II	
D208,152 S	*	7/1967	Levy et al.	D6/339	5,685,605 A		11/1997	Kassai et al.	
3,649,074 A		3/1972	McDonald et al.		5,820,207 A		10/1998	Wang	
D236,766 S		9/1975	Speer		D409,026 S	*	5/1999	Rosko et al. D6/339	
4,580,833 A		4/1986	Waples		5,951,102 A		9/1999	Poulson et al.	
D283,956 S		5/1986	Lemmeyer		D427,822 S	*	7/2000	Greger	D6/500
4,603,902 A		8/1986	Maloney		6,082,814 A		7/2000	Celestina-Krevh et al.	
4,768,825 A		9/1988	Quinlan, Jr.		6,089,666 A		7/2000	Rosko	
4,938,603 A		7/1990	Turner et al.		D432,798 S	*	10/2000	Boney	D6/339
5,131,719 A		7/1992	Kassai		6,126,236 A		10/2000	Wu	
D337,665 S	*	7/1993	Tsuchiya	D6/339	6,161,898 A		12/2000	Brevi	
D344,189 S		2/1994	Golenz et al.		6,334,647 B1		1/2002	Khorasi	
5,364,137 A		11/1994	Shimer		6,347,830 B1		2/2002	Chen	
D364,968 S	*	12/1995	Chien	D6/339	6,347,833 B1		2/2002	Chen	
D365,936 S		1/1996	Haut et al.		2001/0028184 A1		10/2001	Sitarski et al.	
D368,593 S	*	4/1996	Cone, II	D6/339					

* cited by examiner

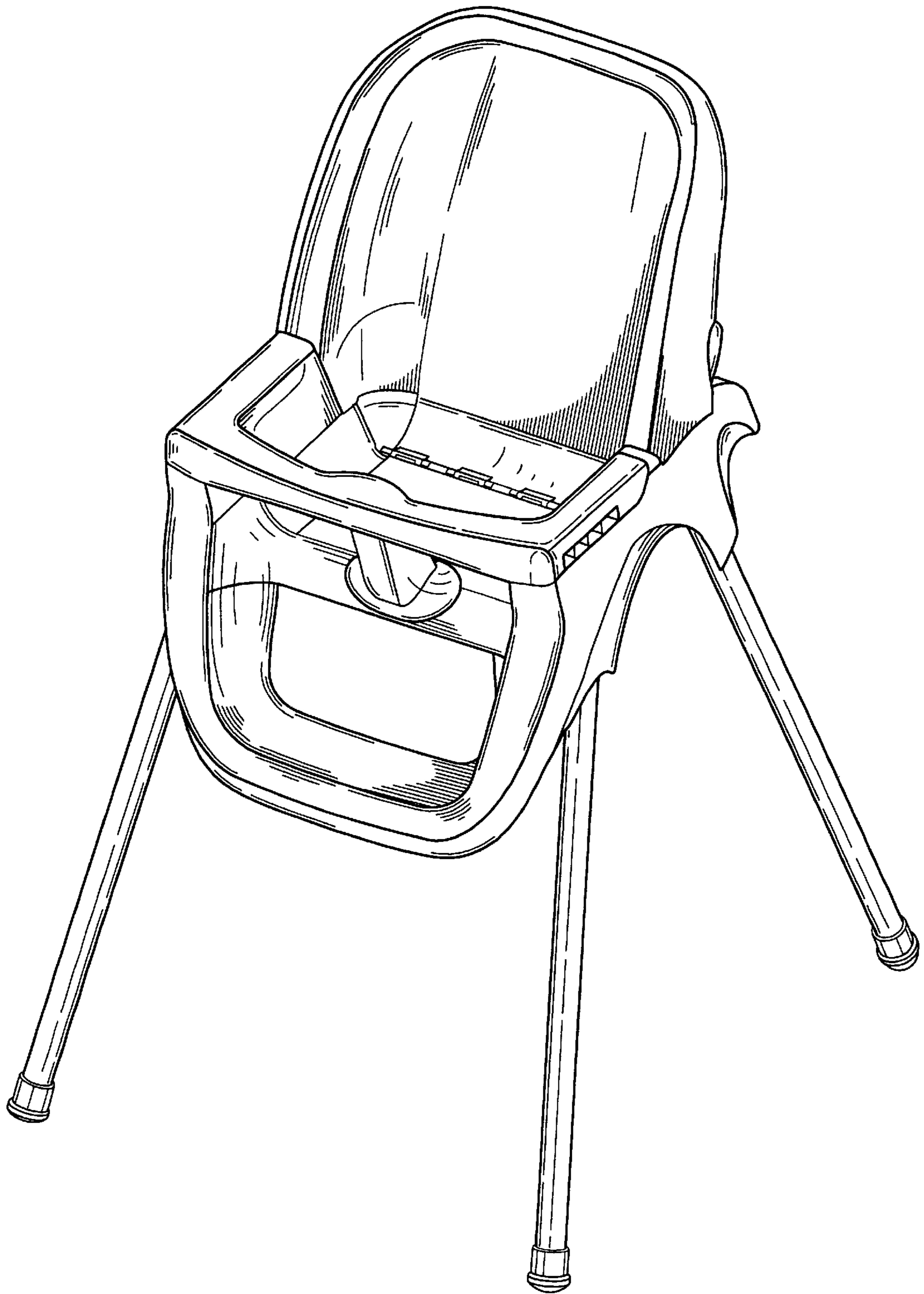


FIG. 1

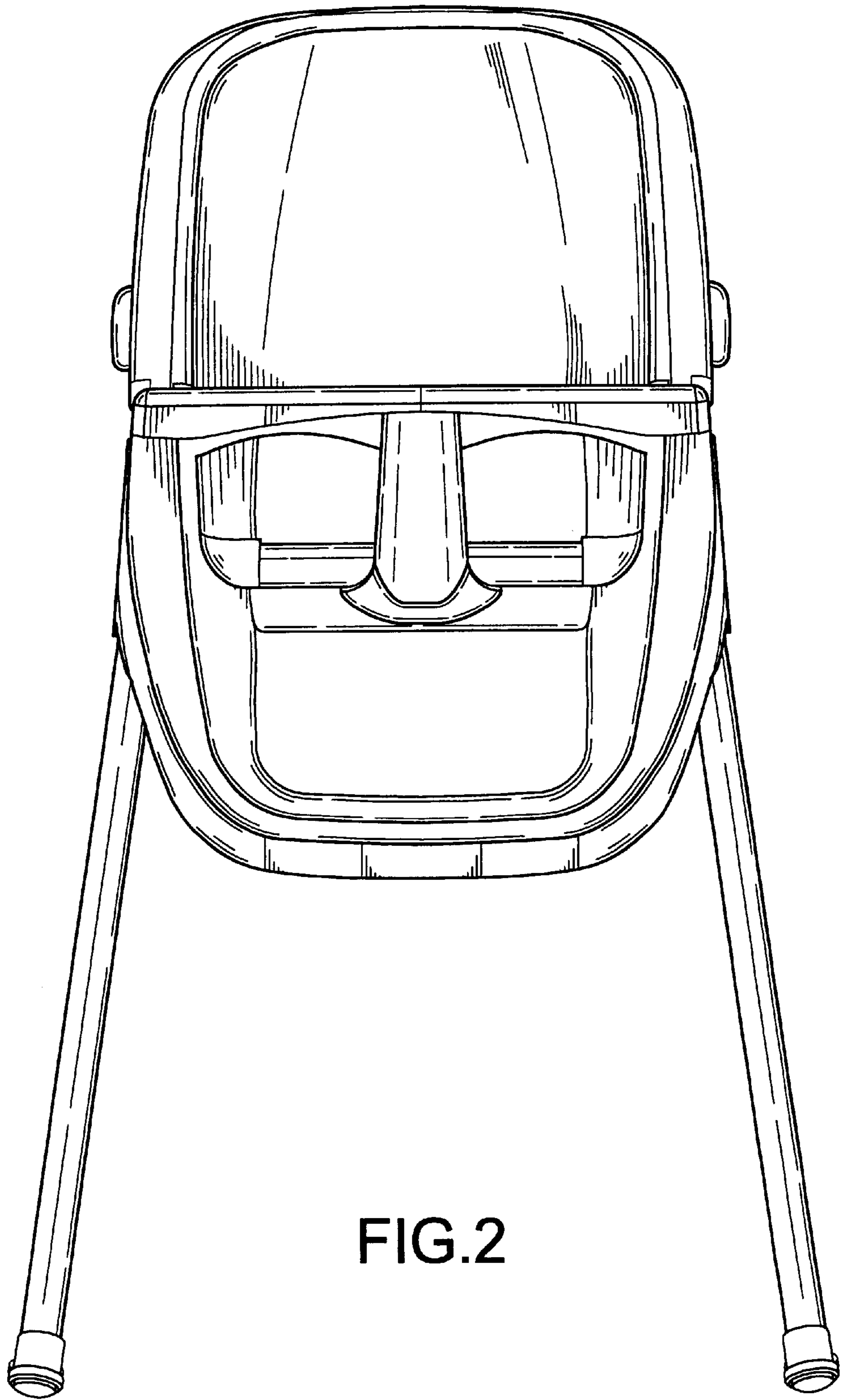
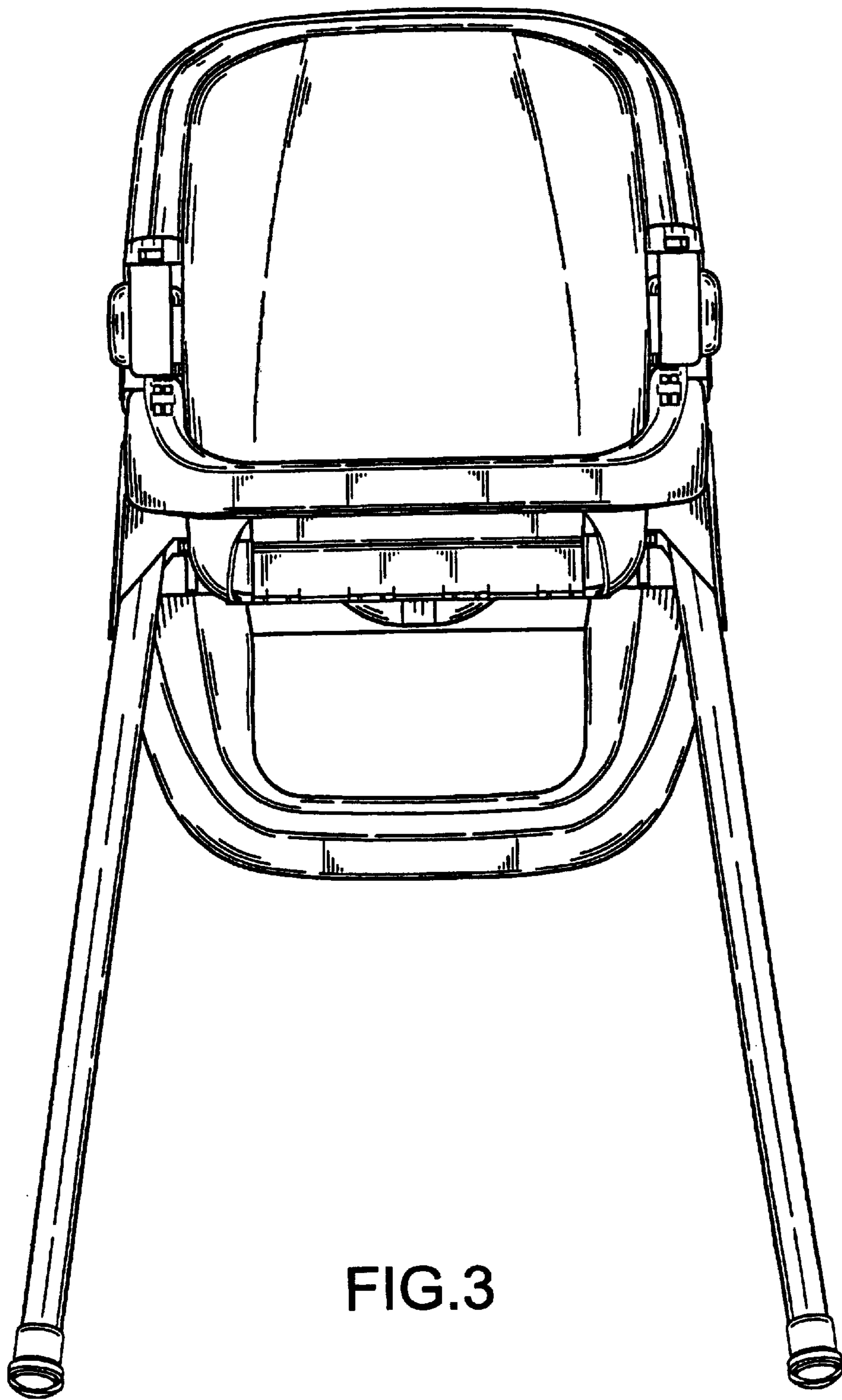


FIG. 2



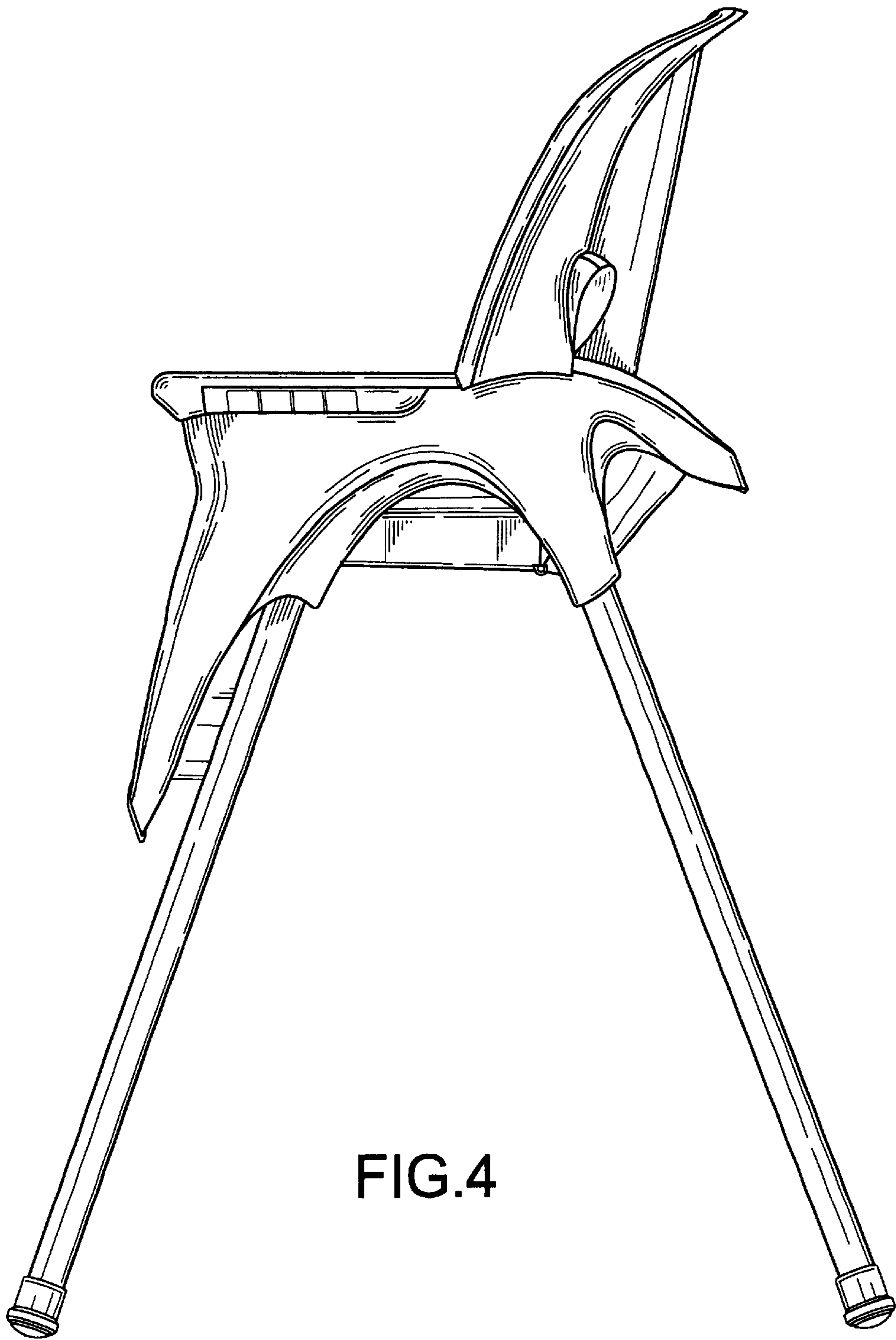


FIG. 4

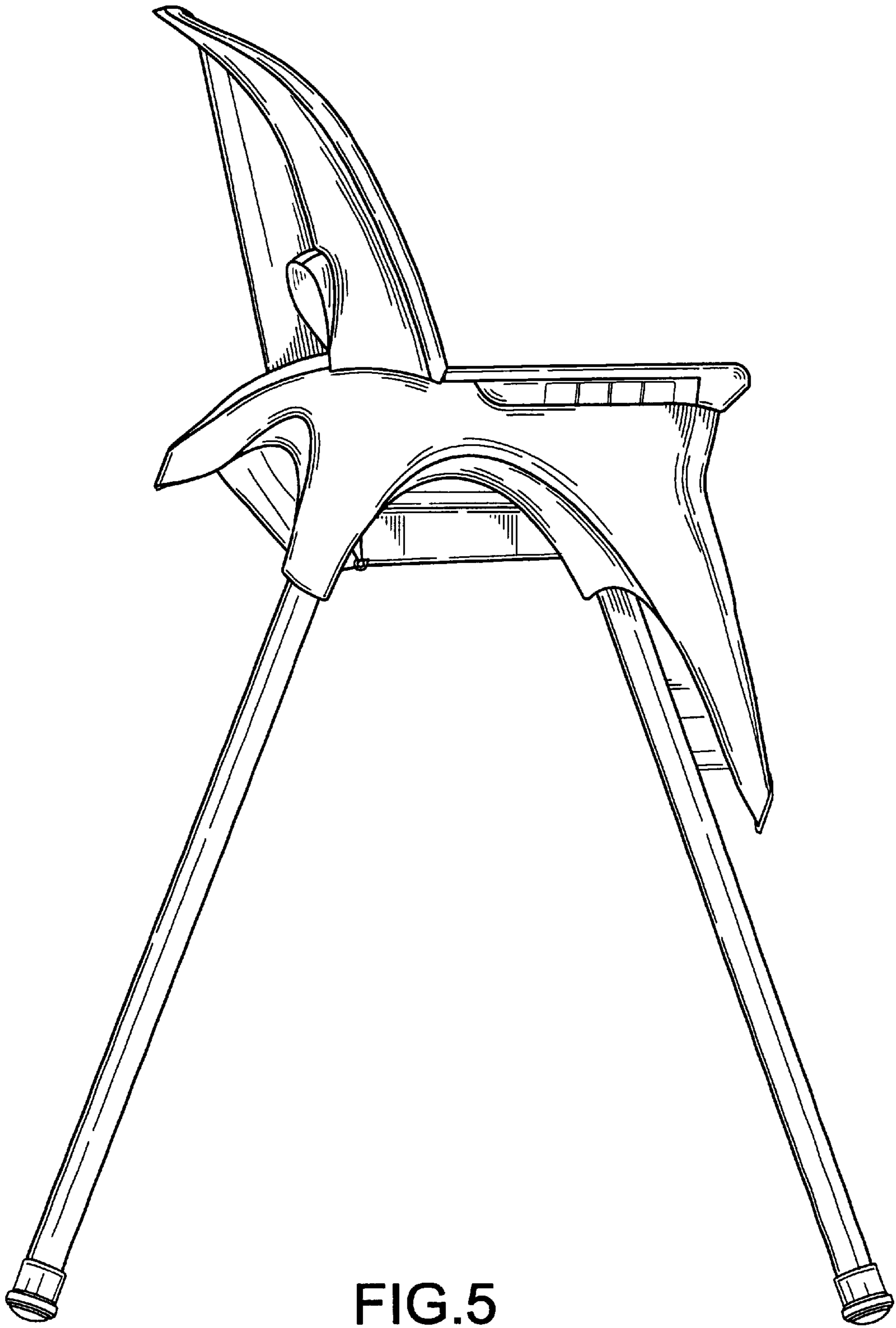


FIG. 5

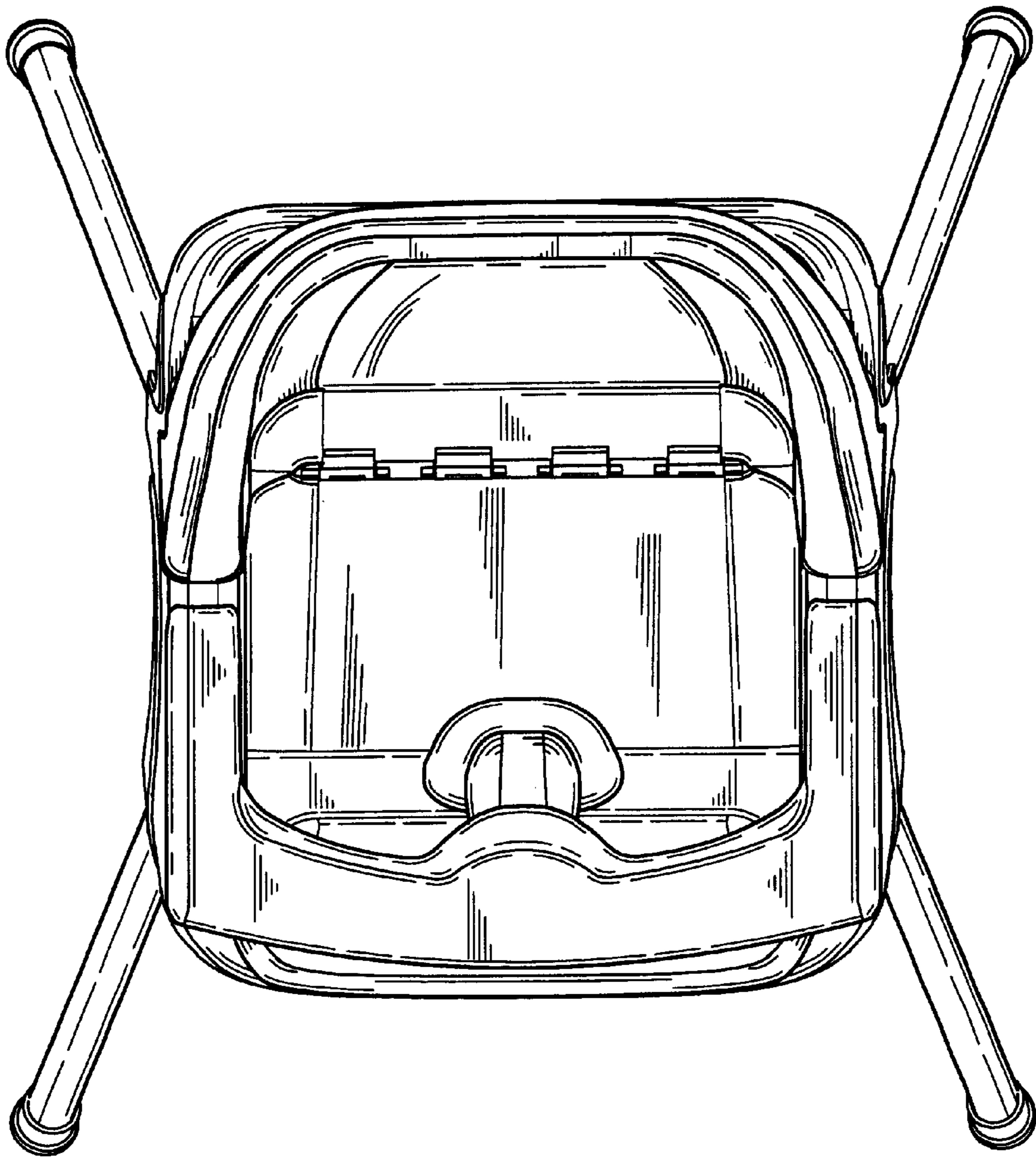


FIG.6

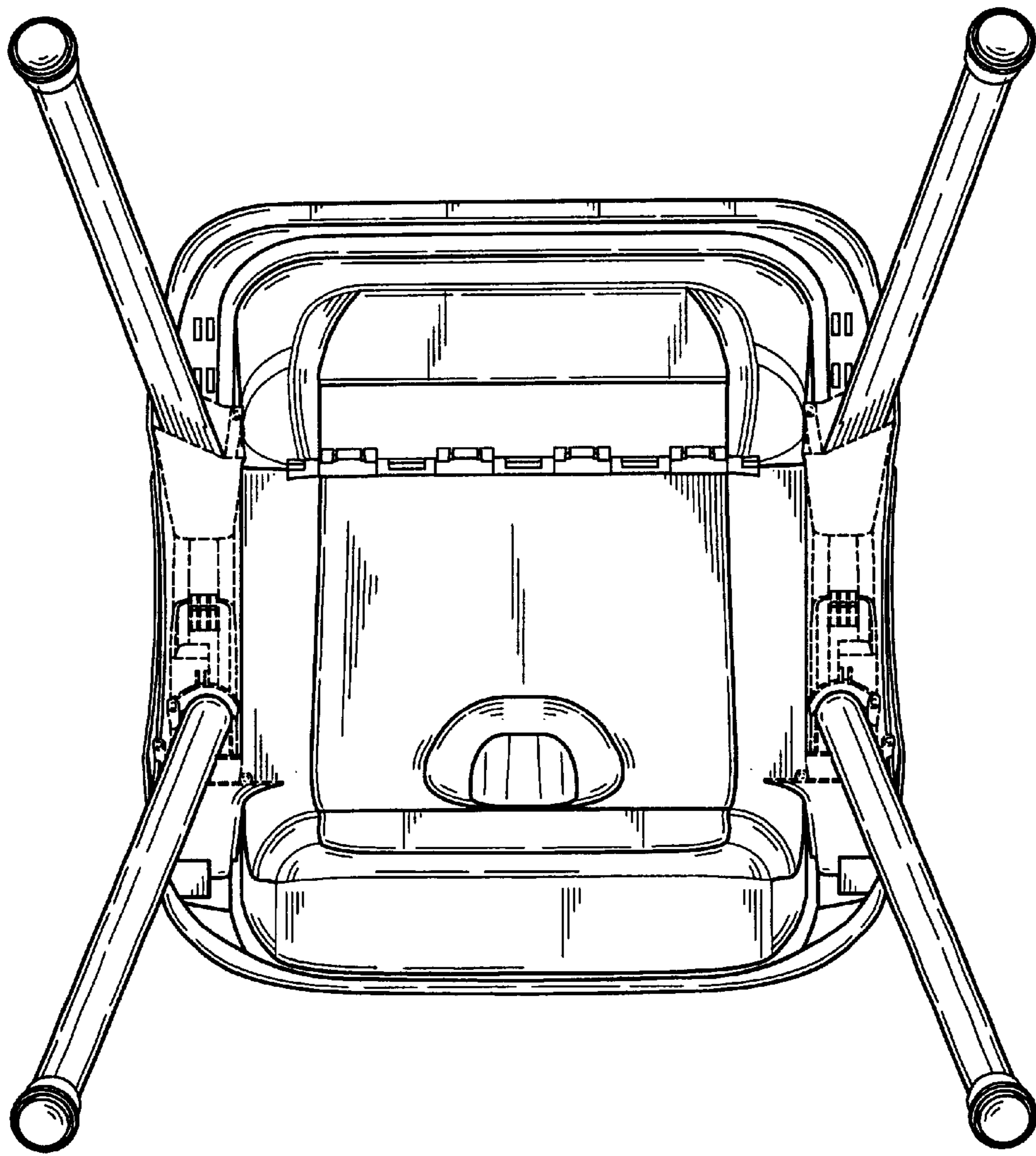


FIG.7

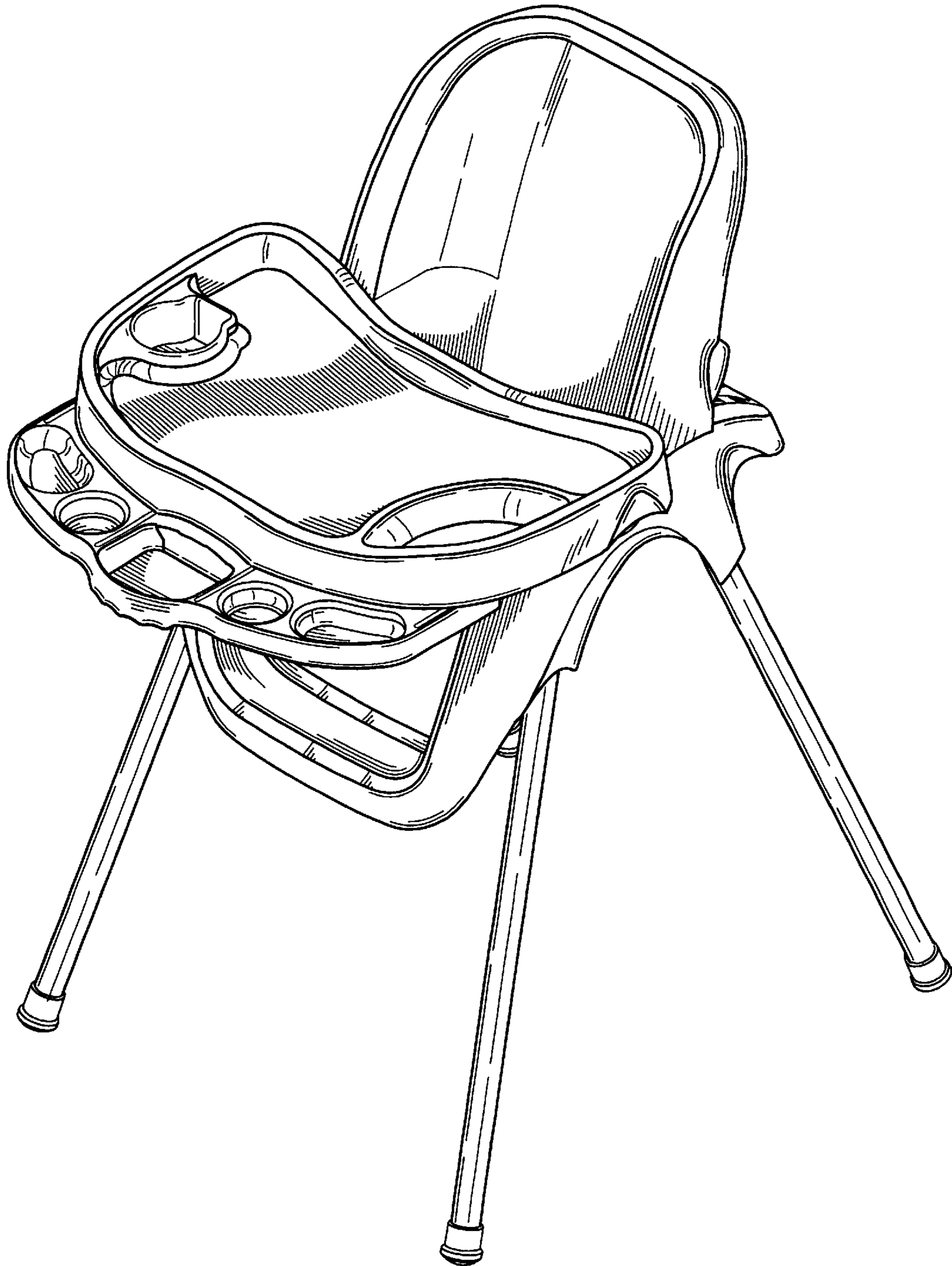


FIG. 8

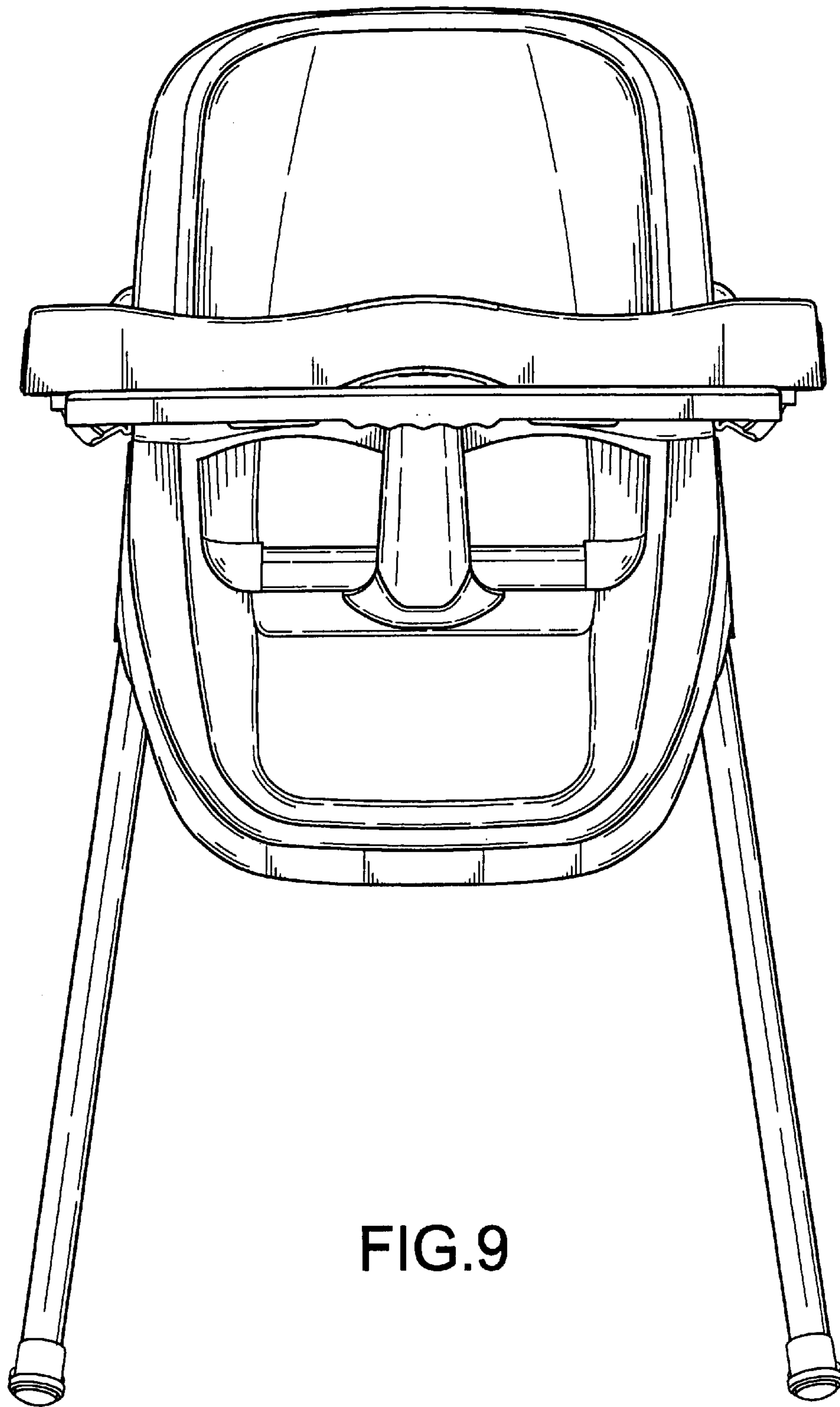


FIG. 9

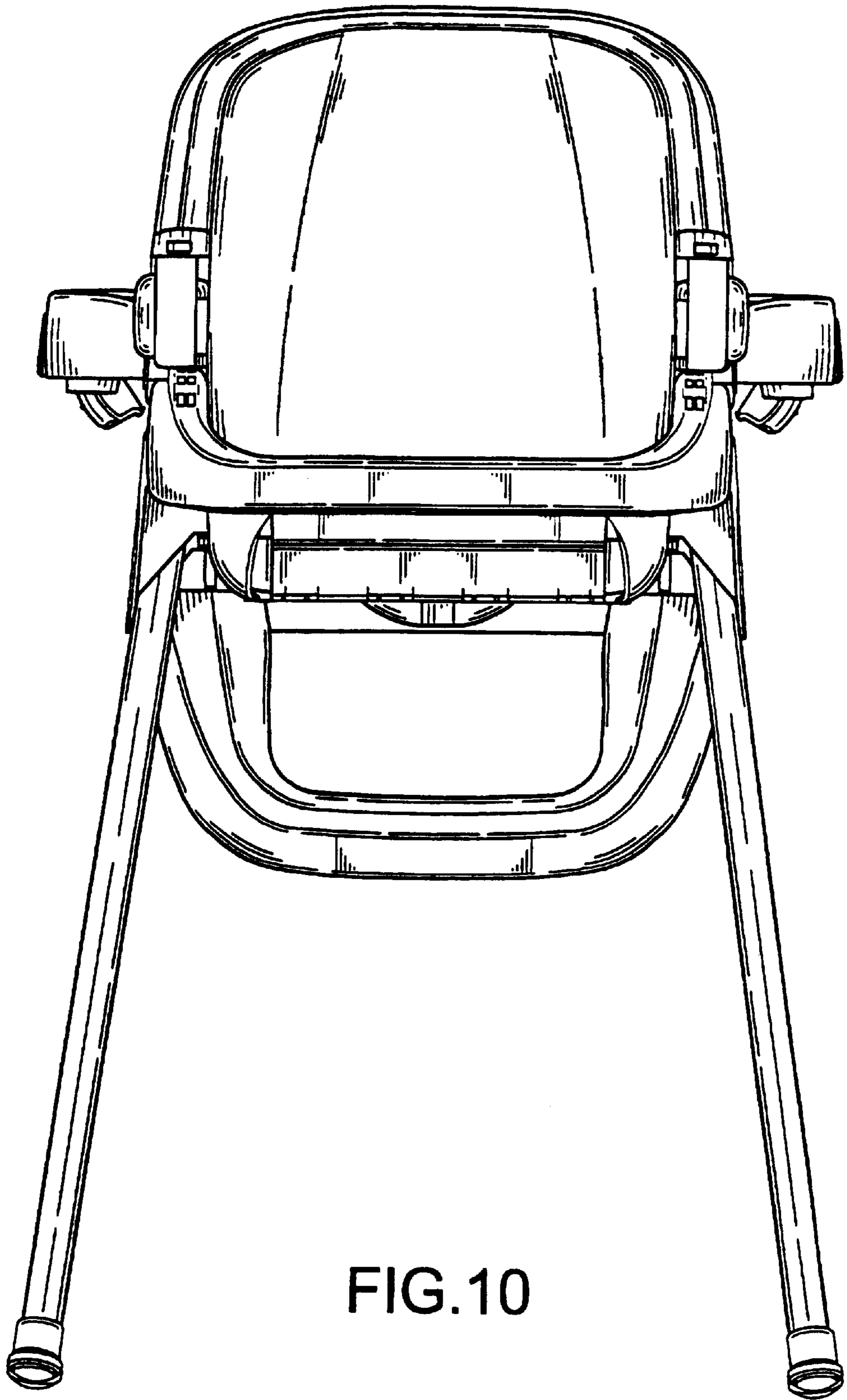


FIG.10

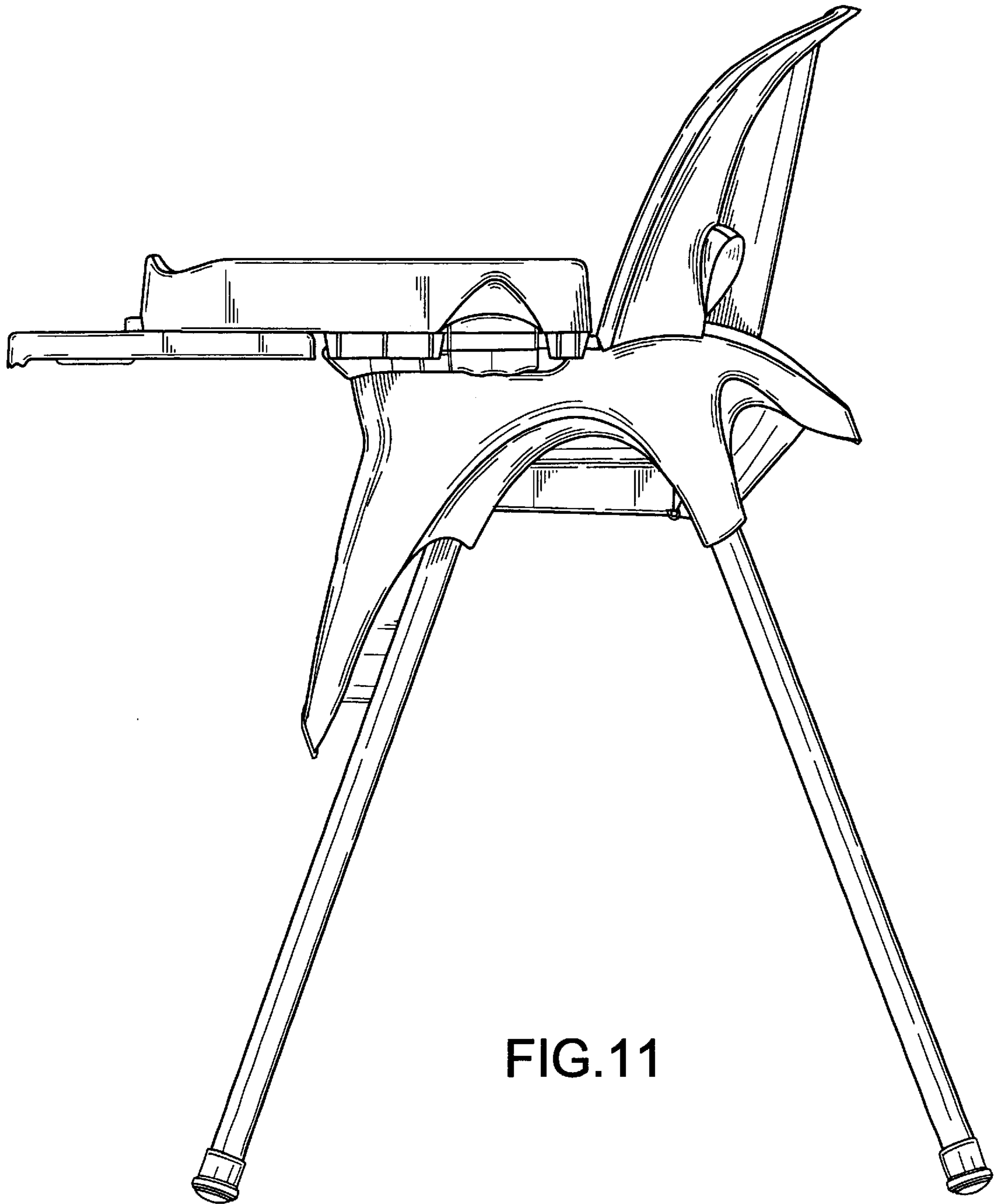


FIG. 11

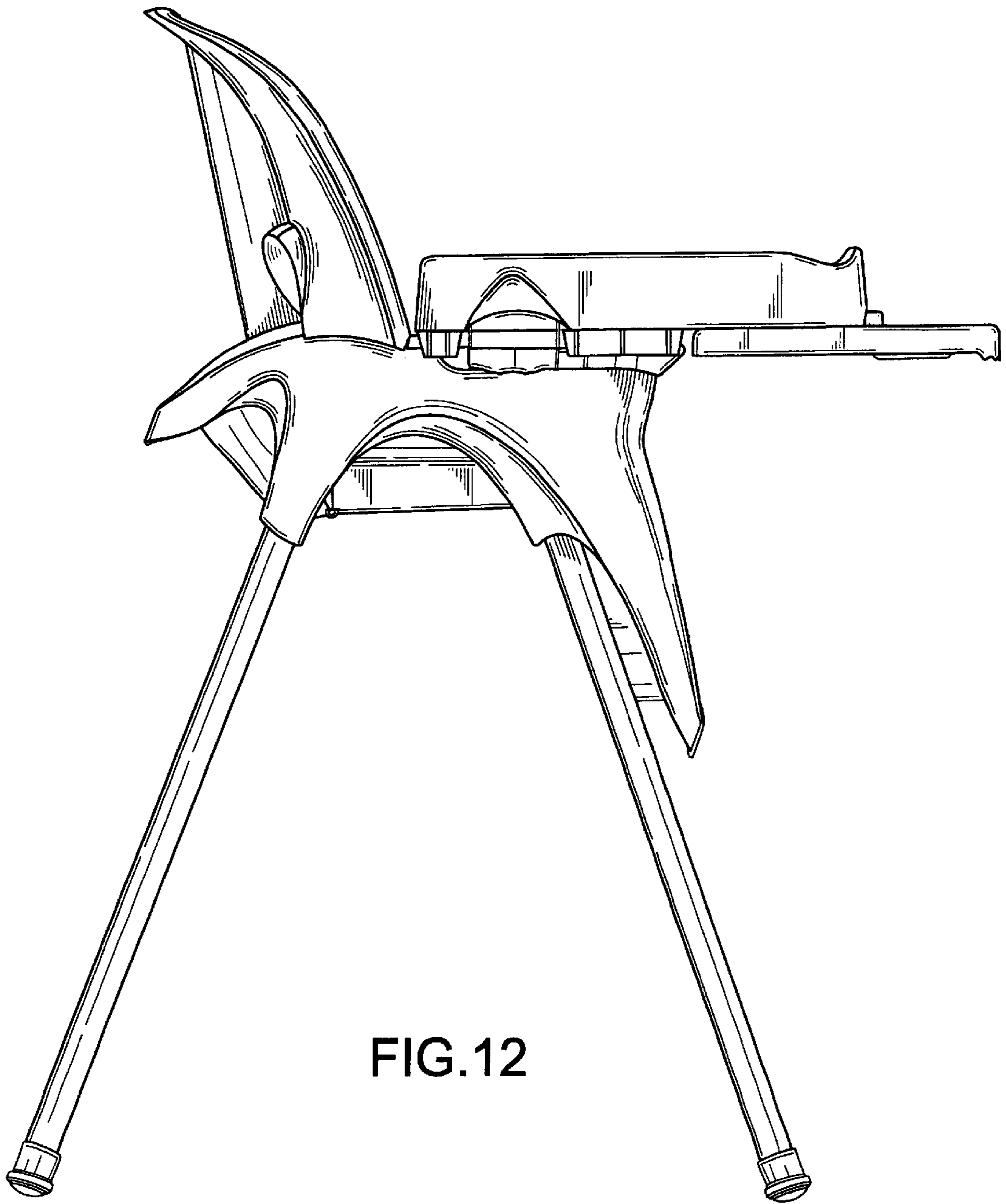


FIG.12

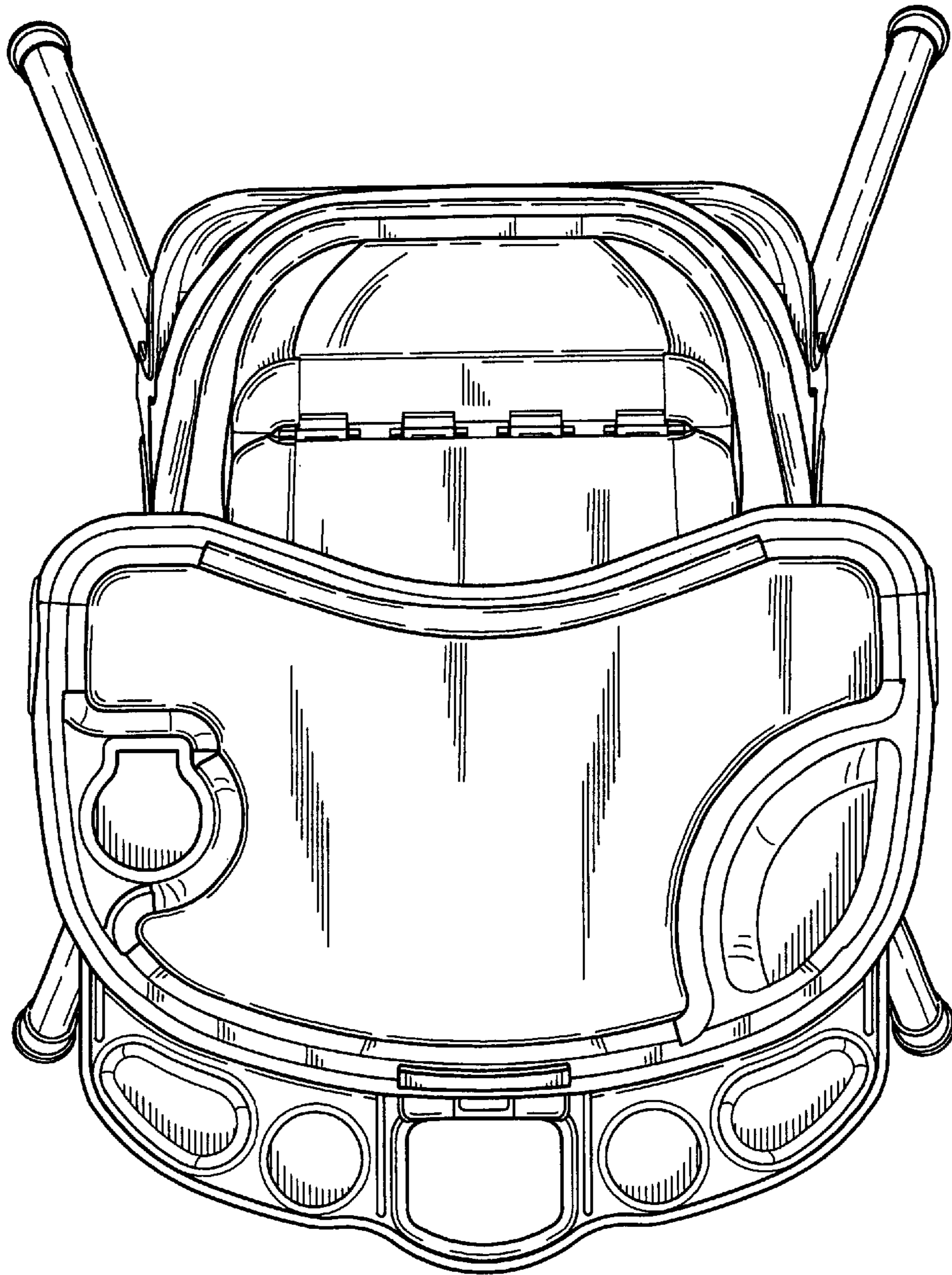


FIG.13

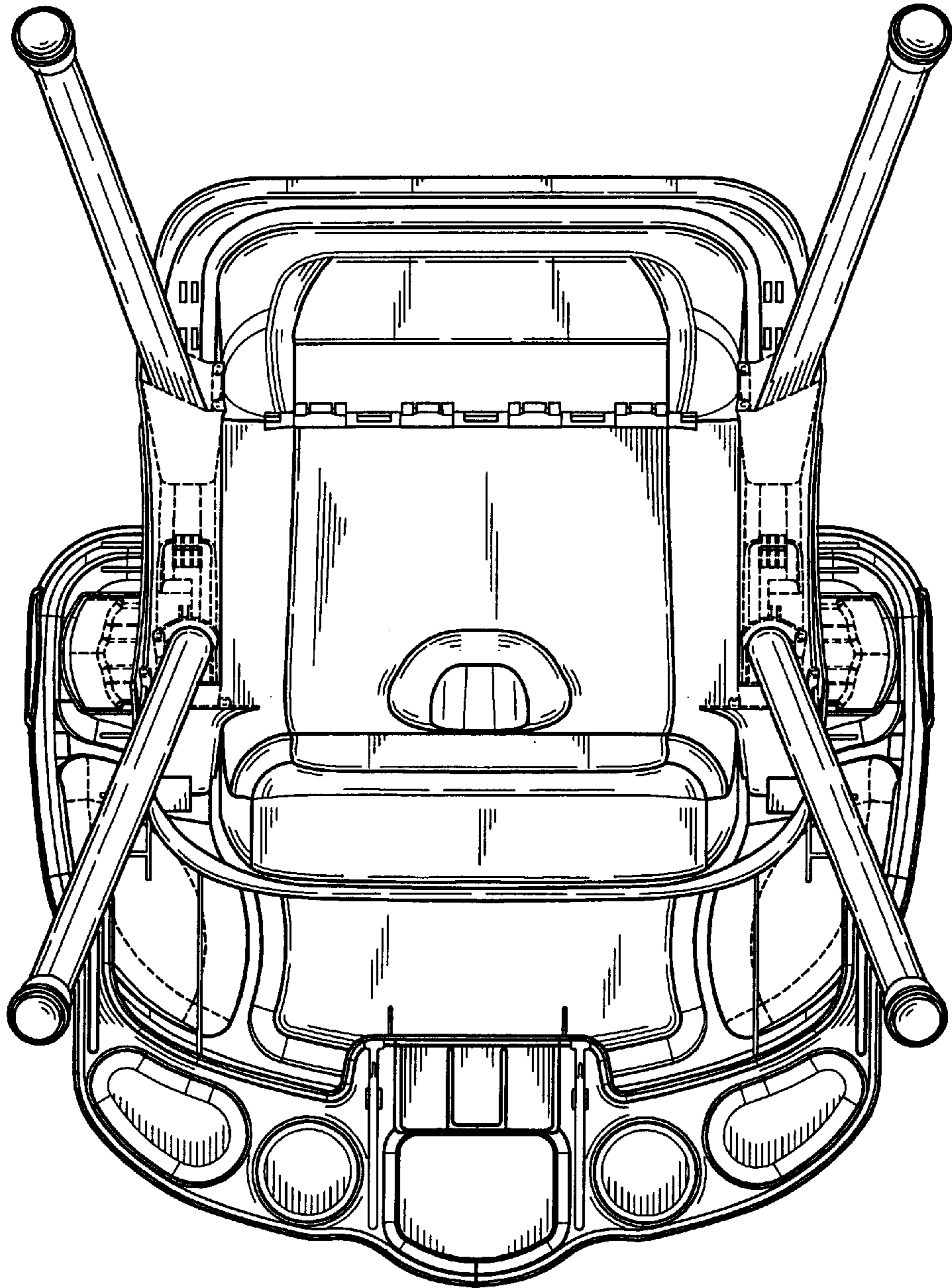


FIG.14

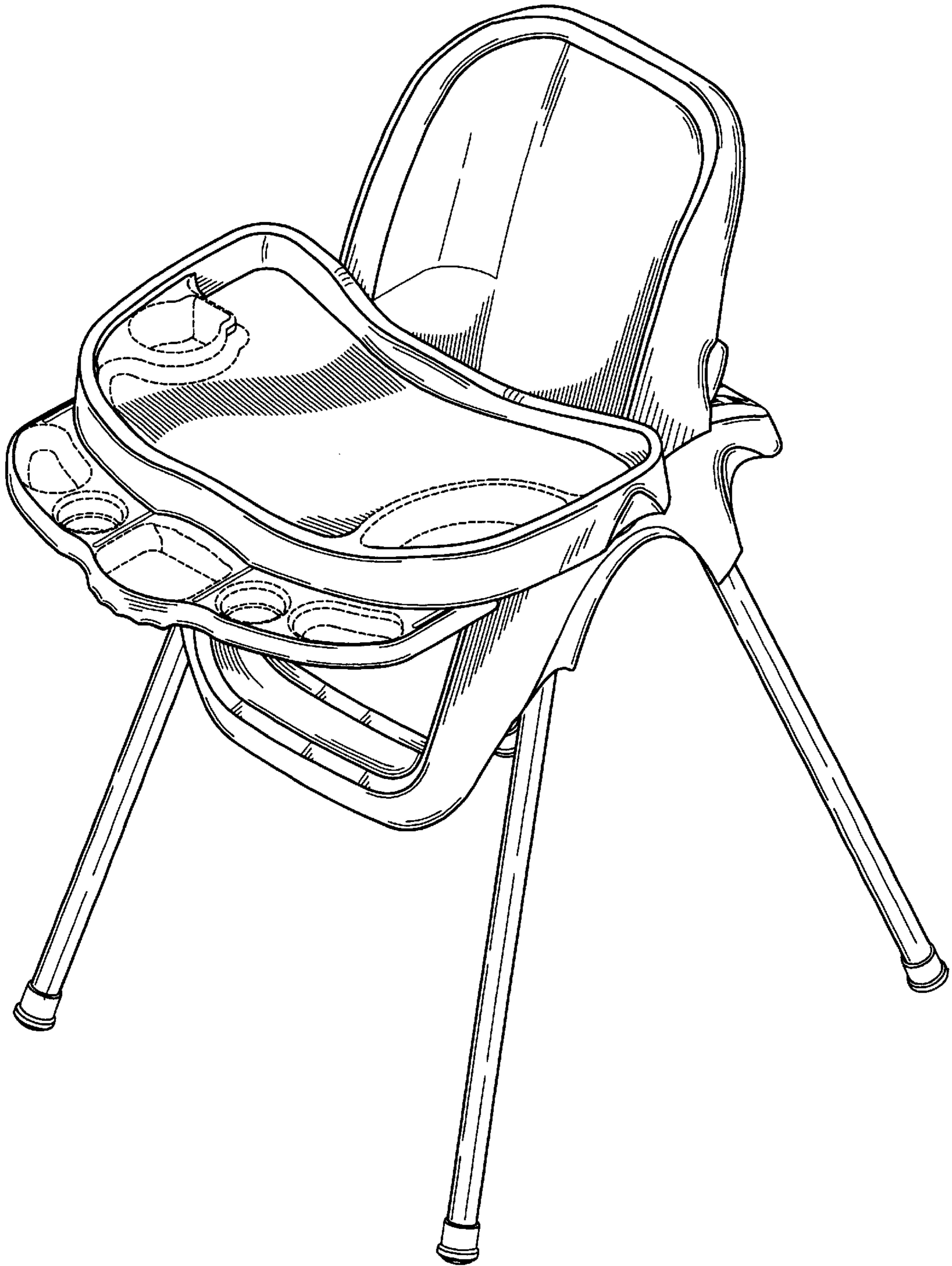


FIG.15

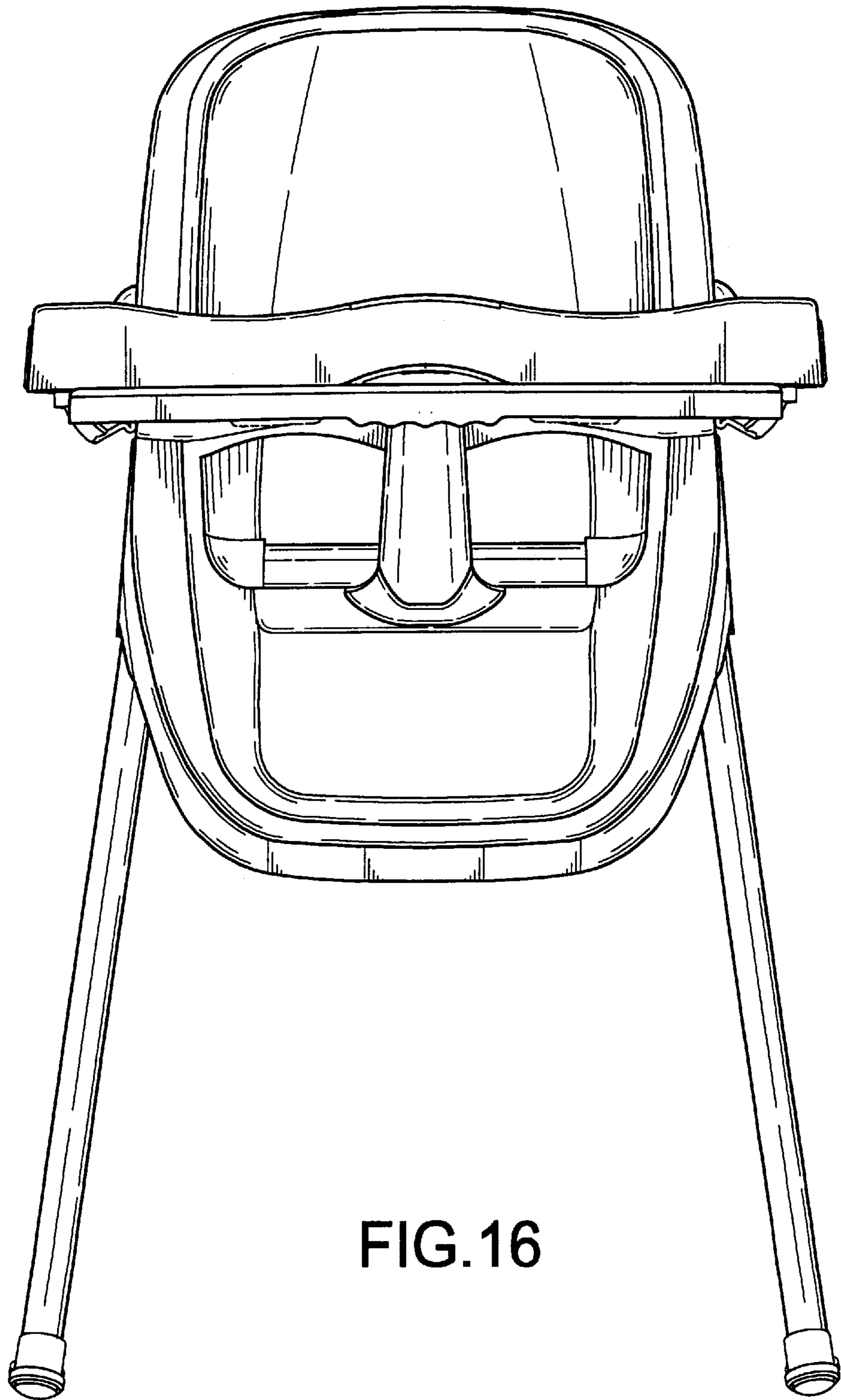


FIG.16

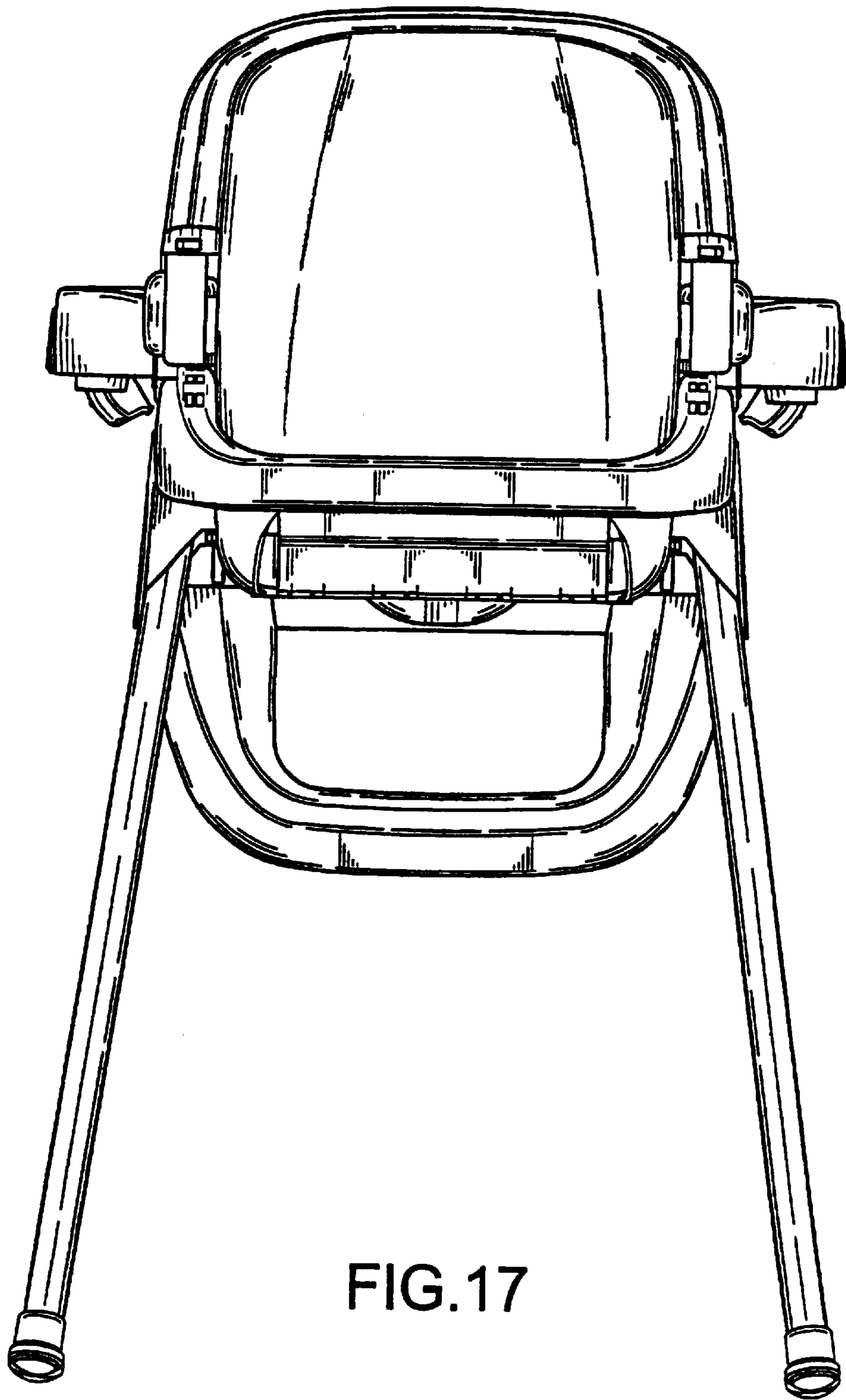


FIG.17

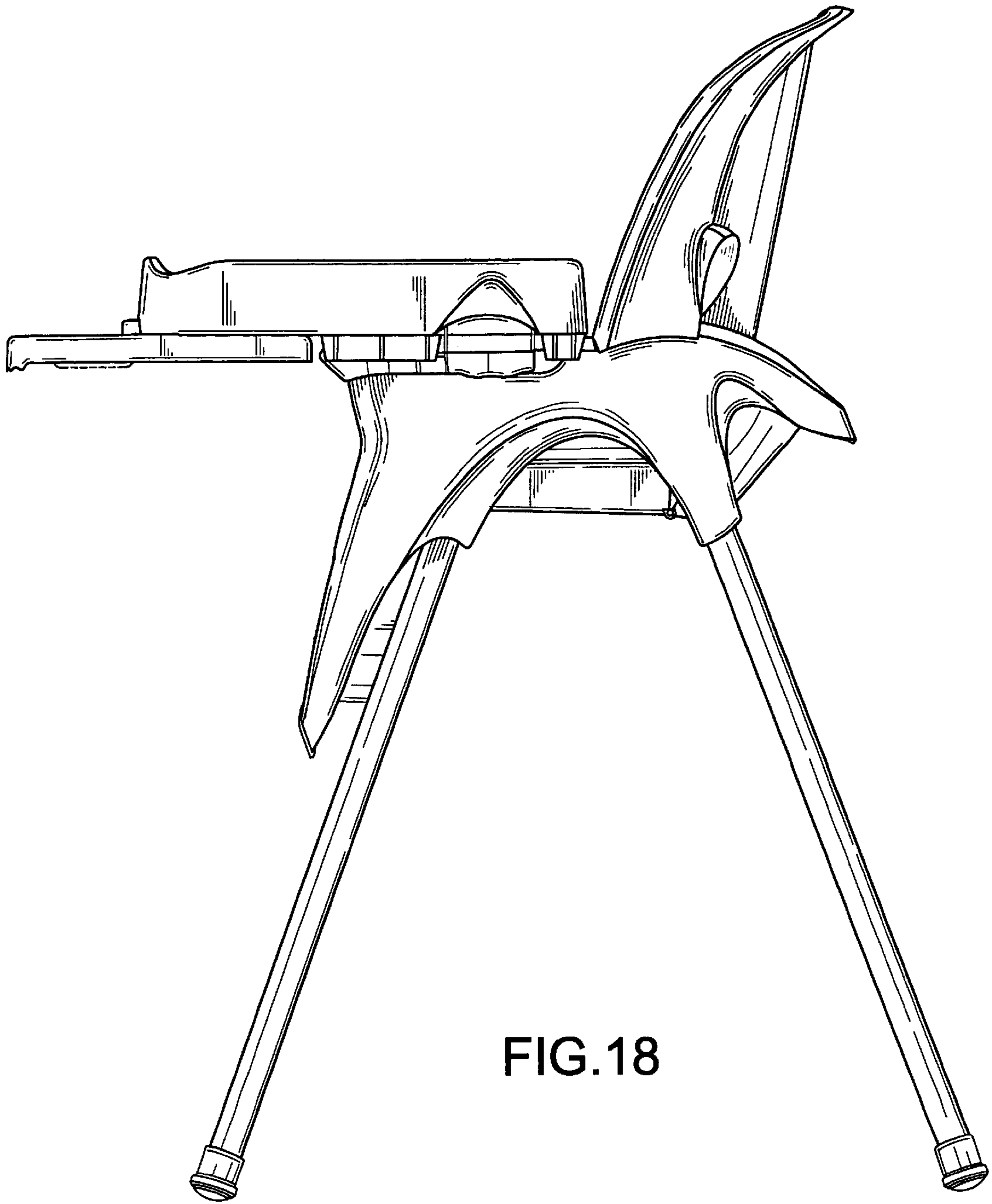


FIG.18

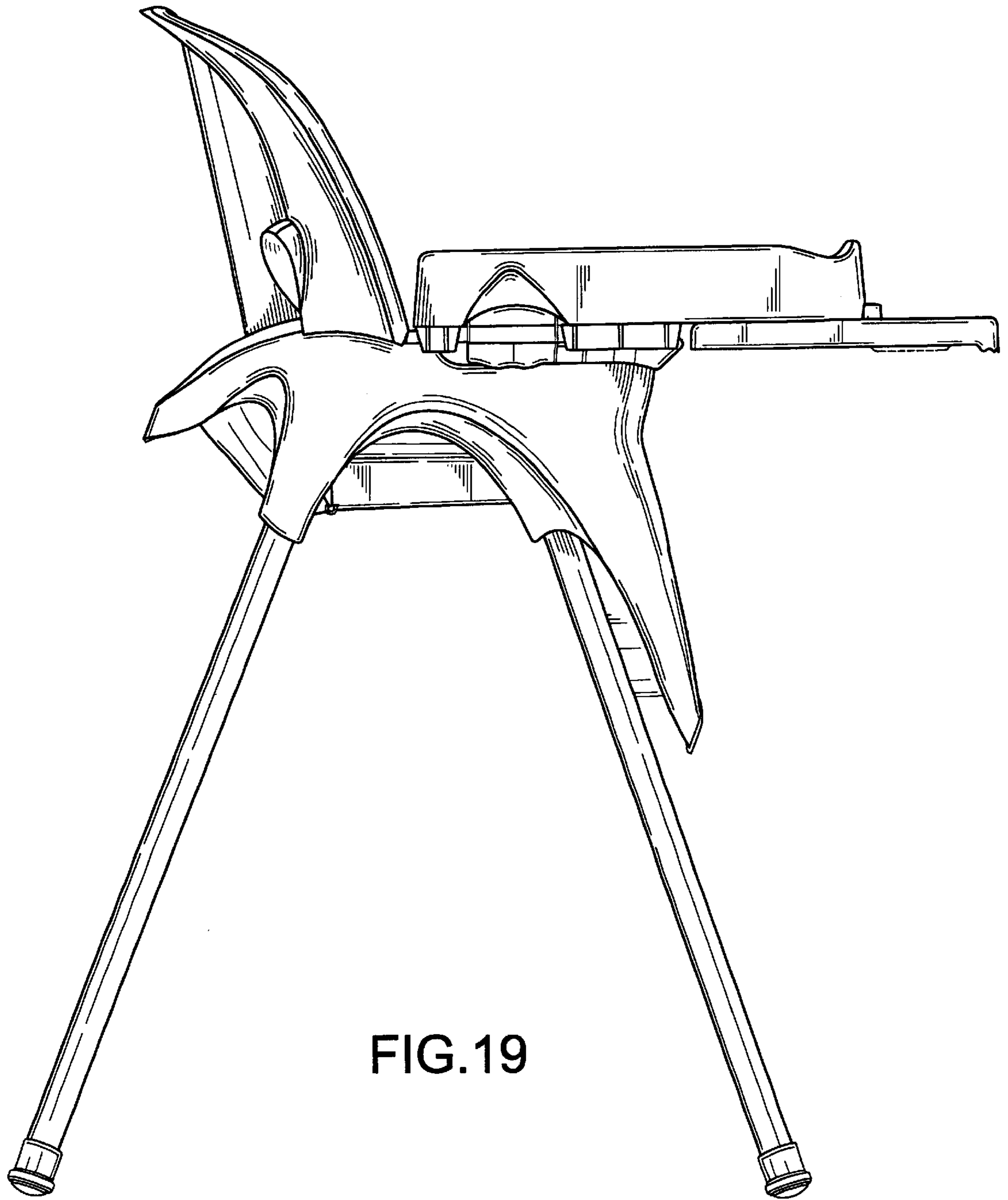


FIG. 19

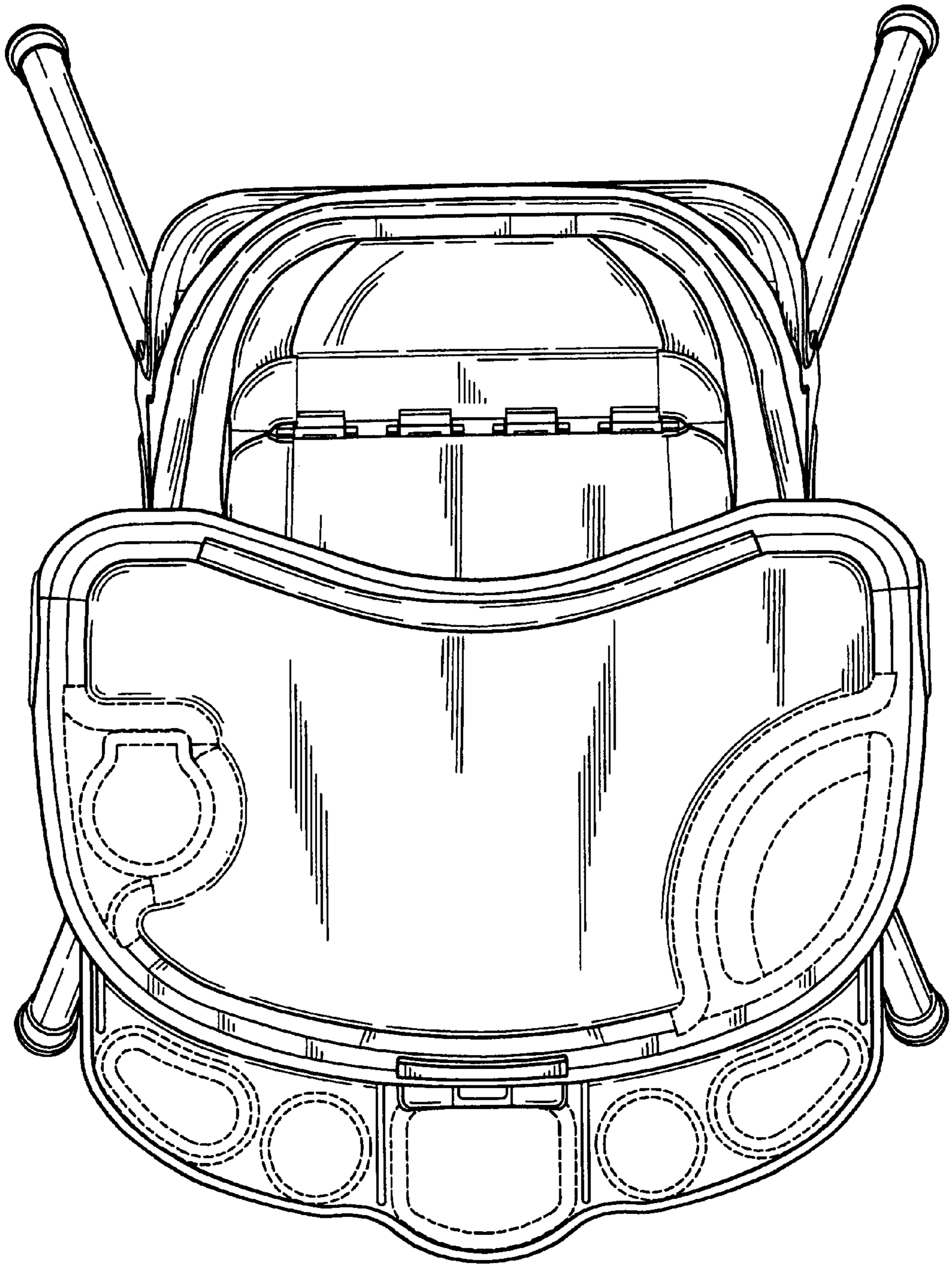


FIG.20

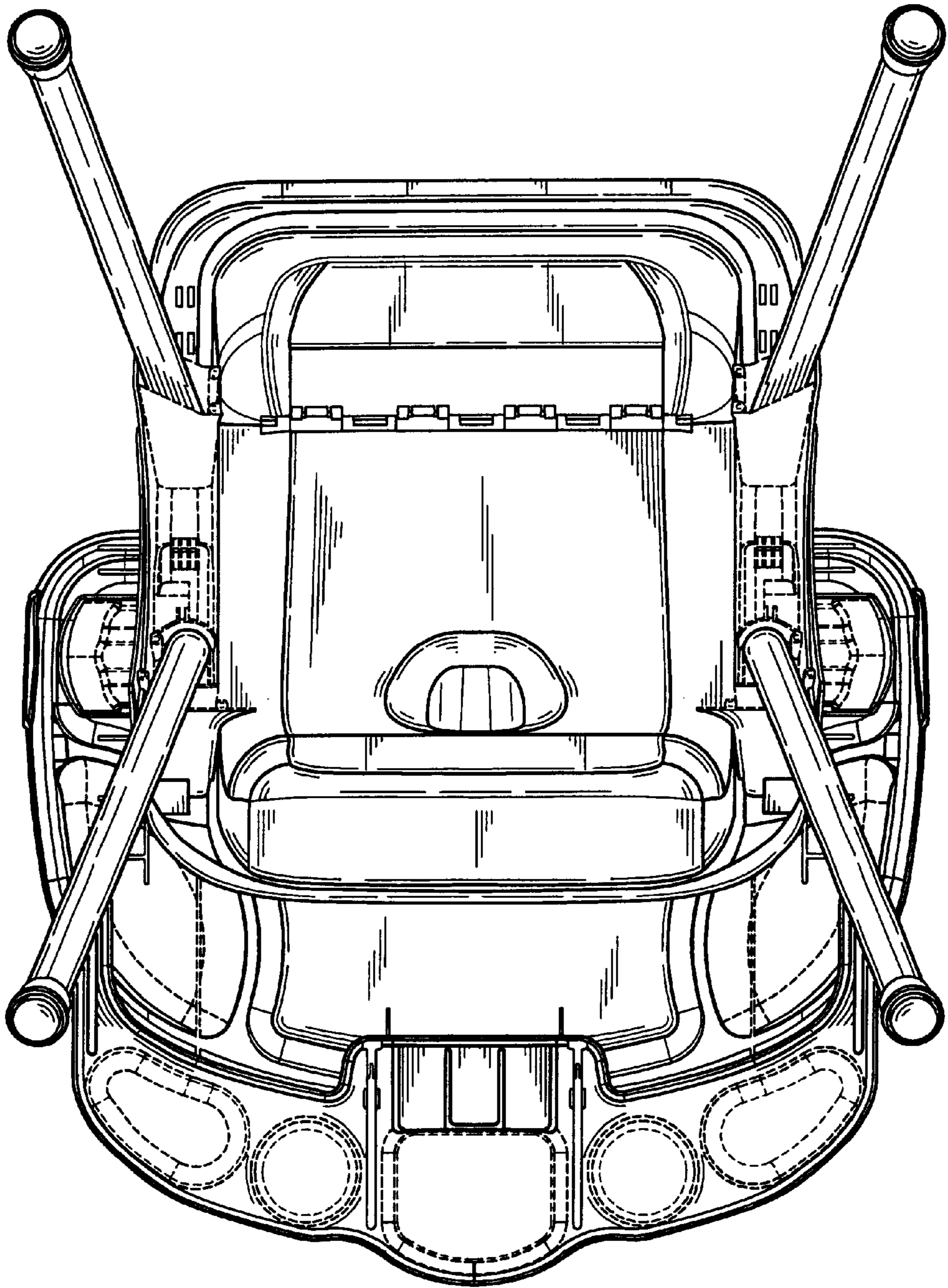


FIG.21

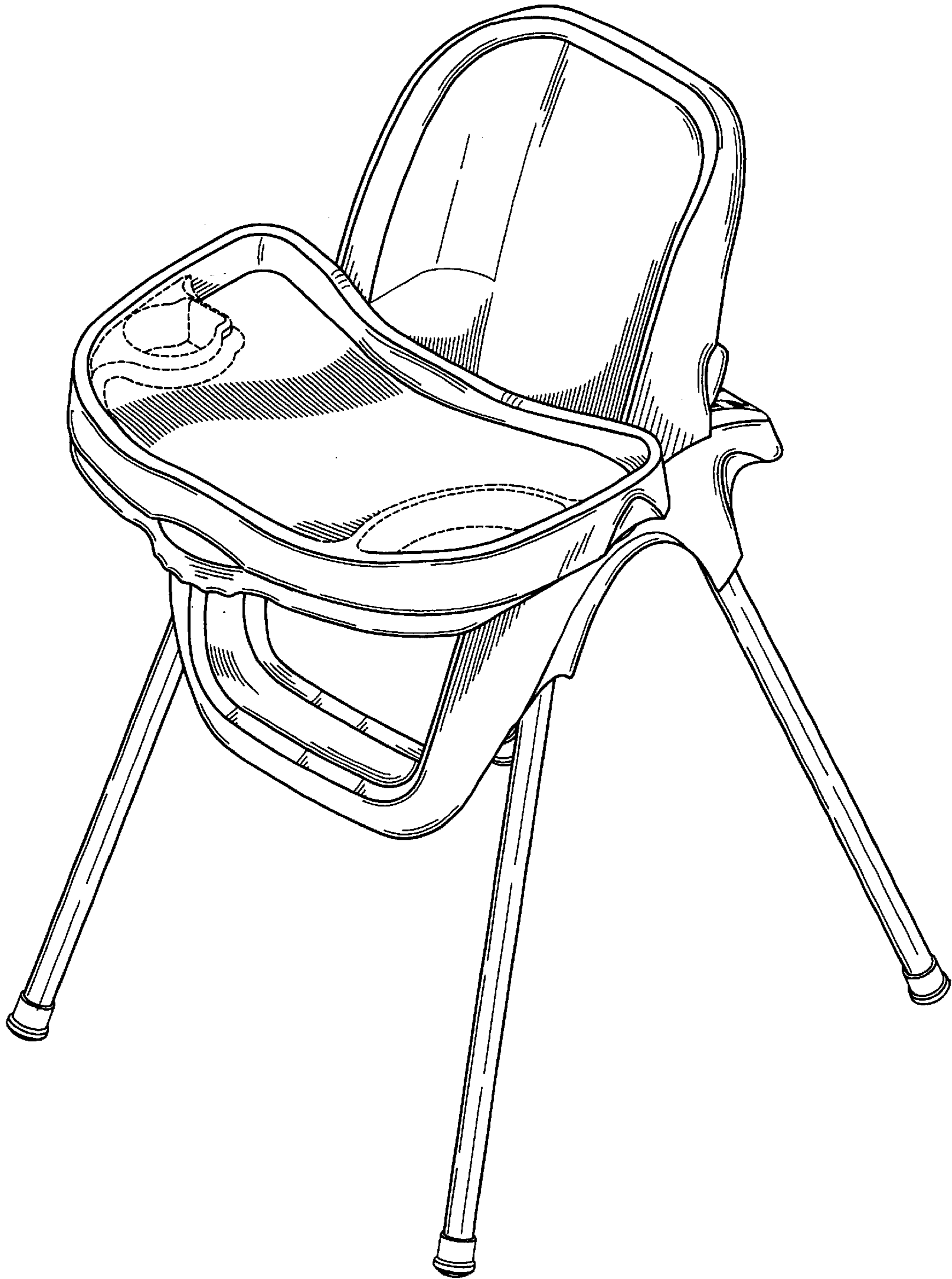


FIG. 22

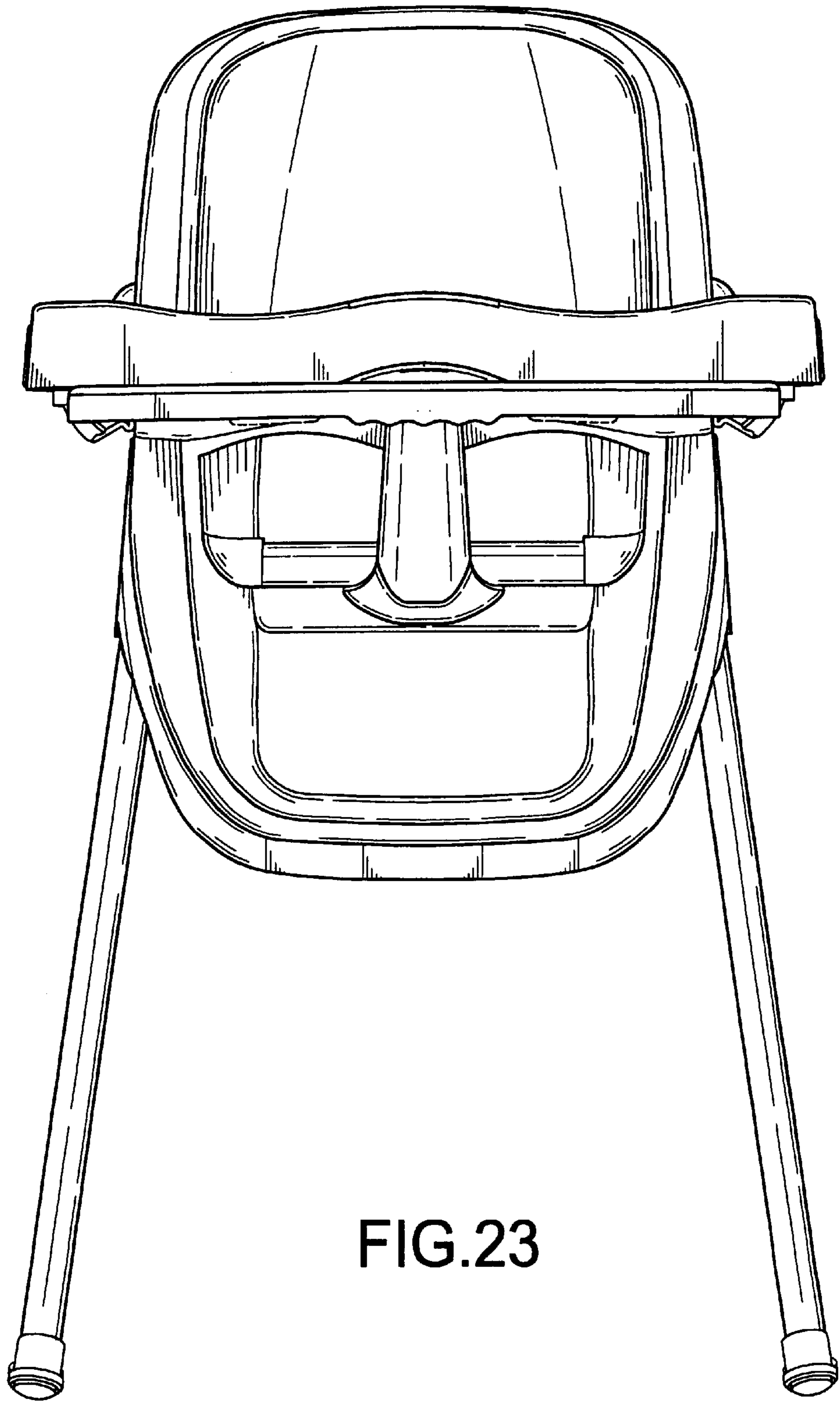


FIG. 23

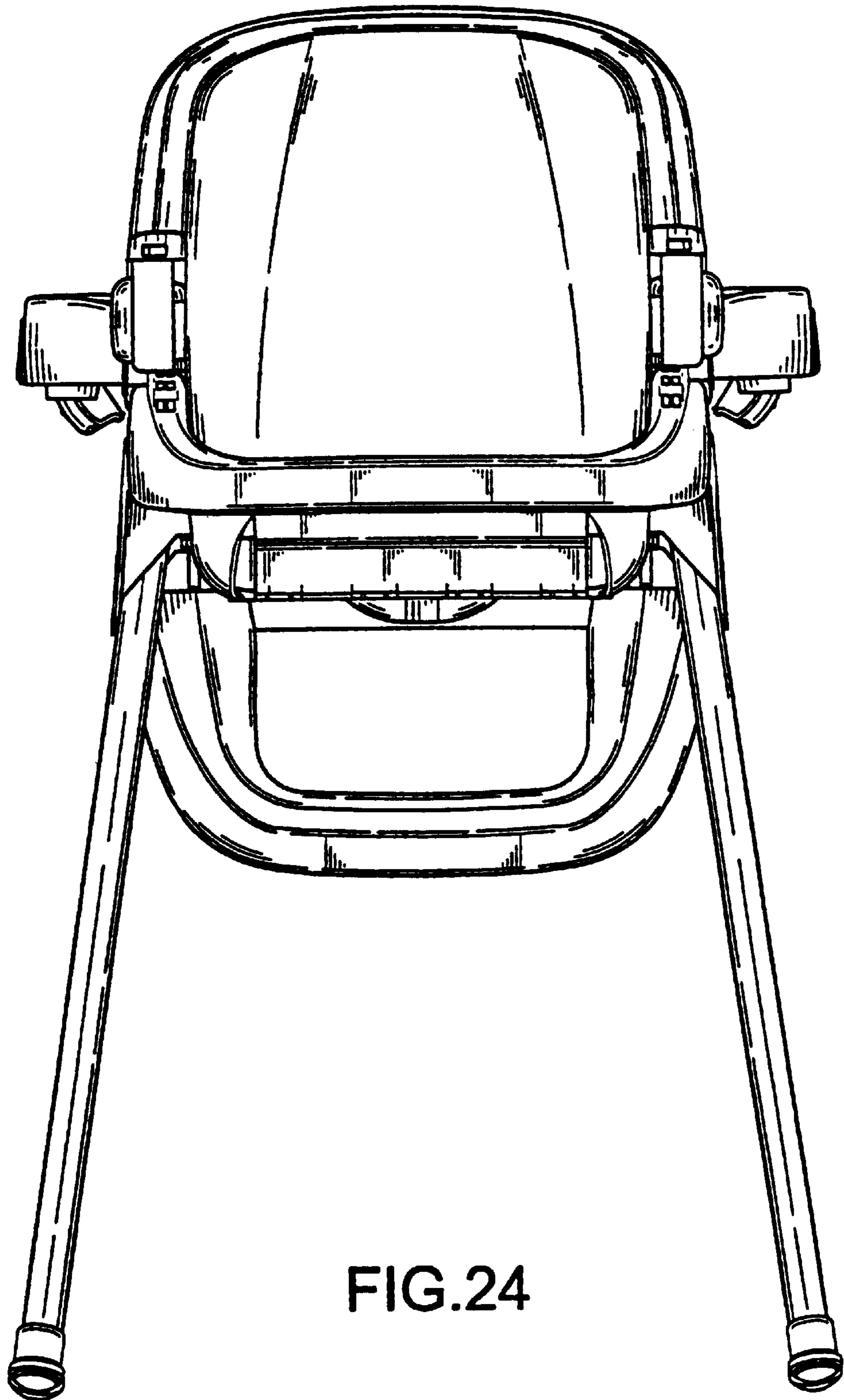


FIG.24

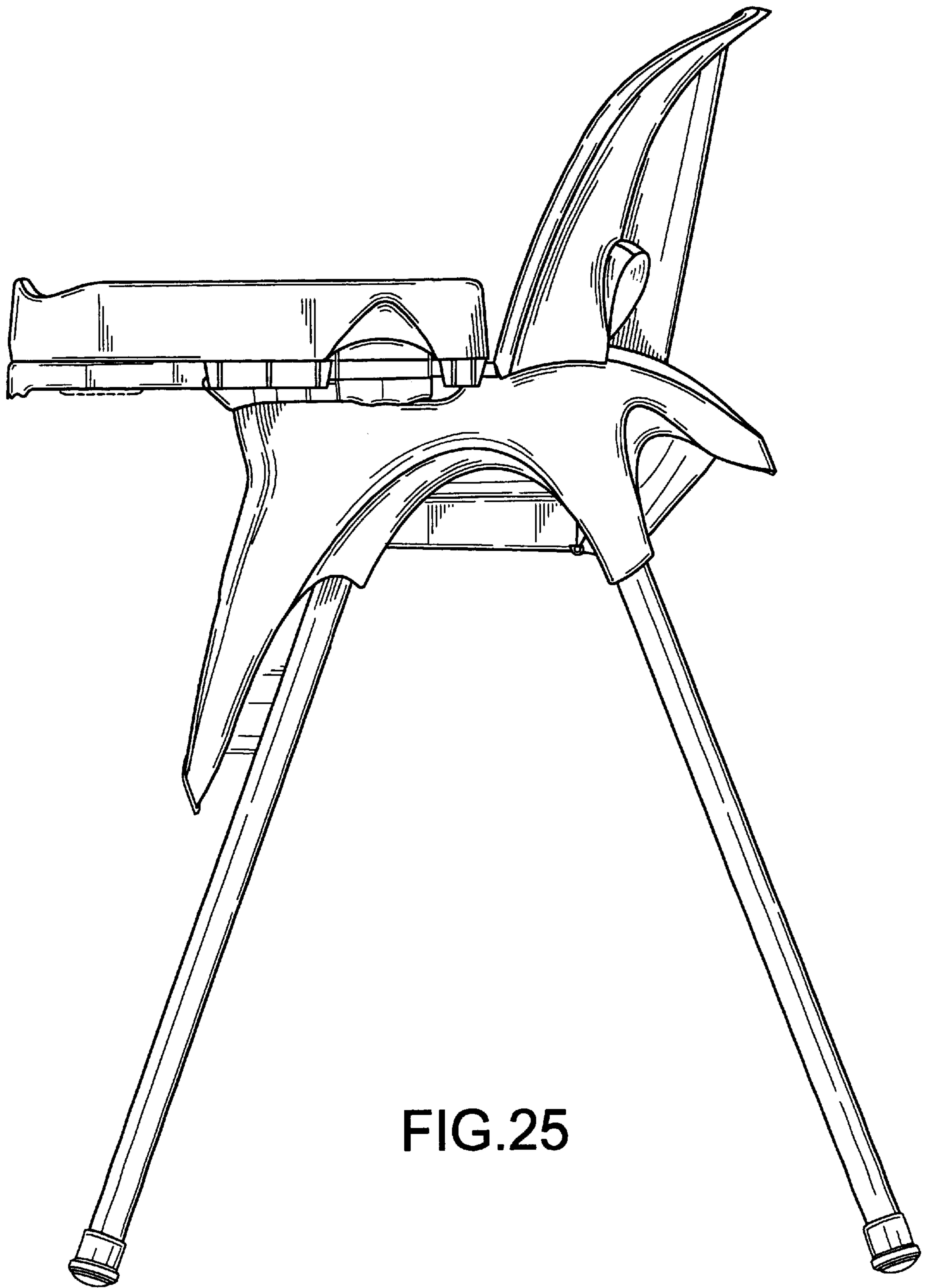


FIG. 25

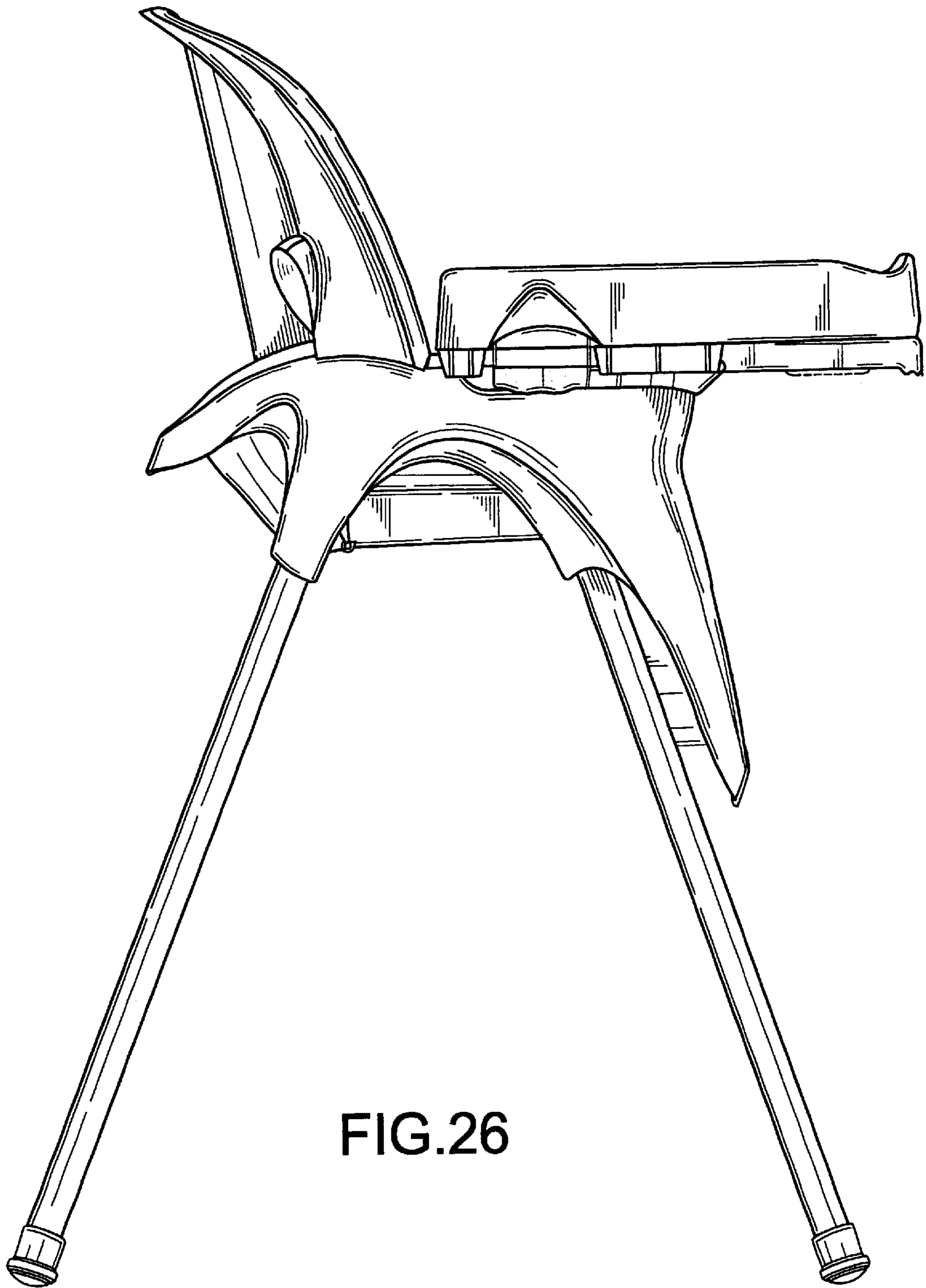


FIG. 26

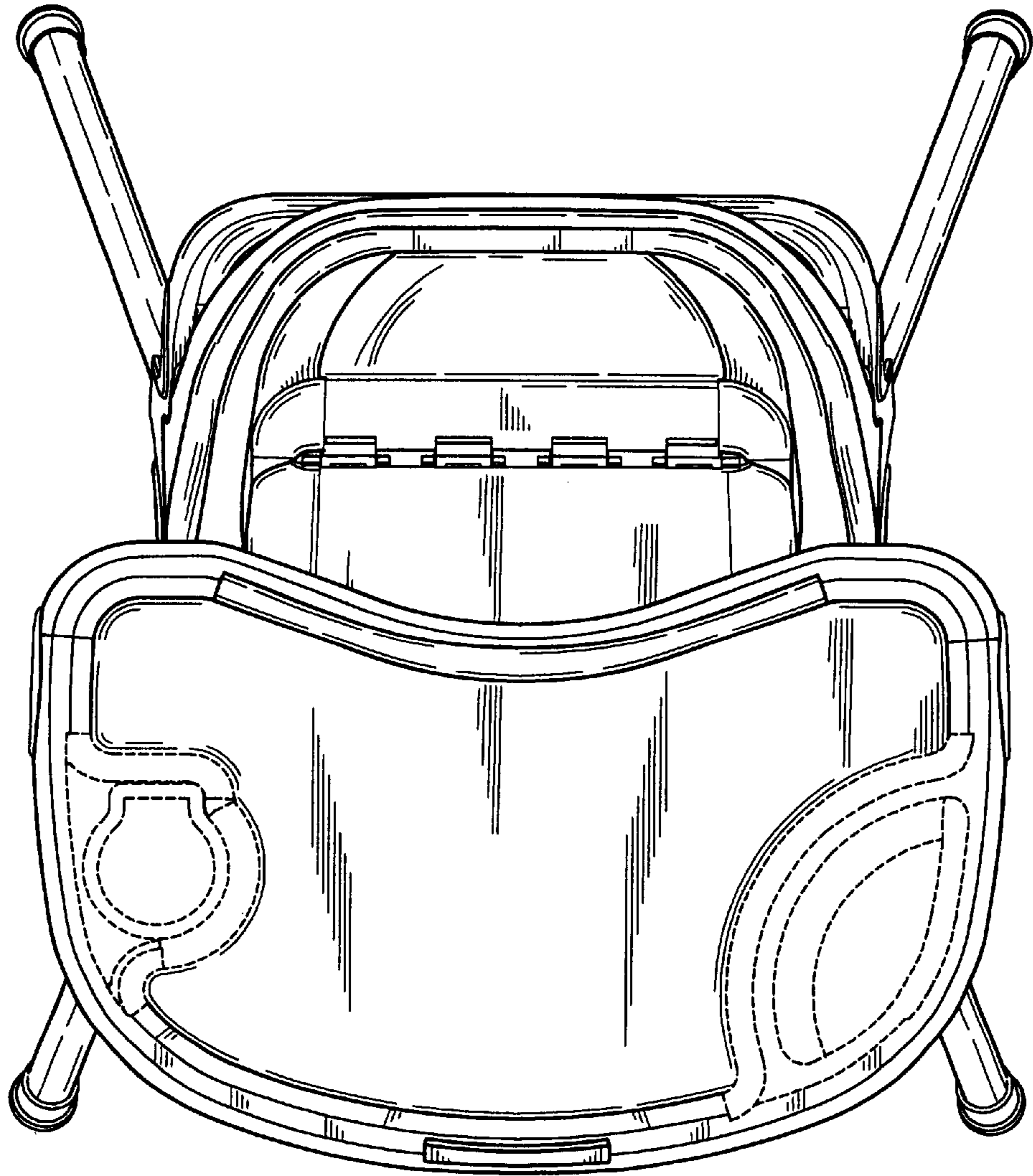


FIG.27

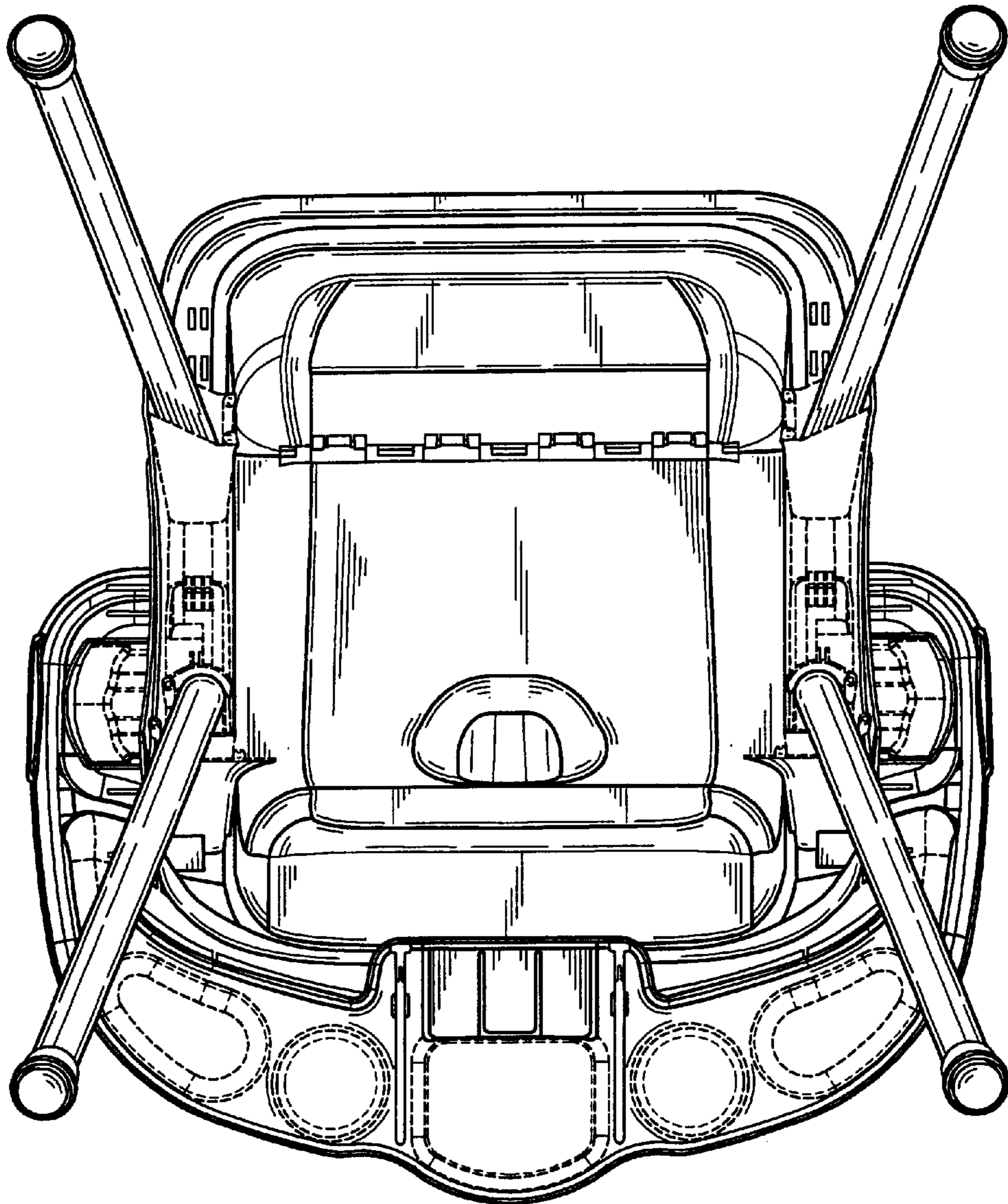


FIG.28