



US00D478209S

(12) **United States Design Patent**  
**Chen**

(10) **Patent No.:** **US D478,209 S**

(45) **Date of Patent:** **\*\* Aug. 12, 2003**

(54) **TOOL CASE**

(76) Inventor: **Kun-Chen Chen**, No. 6, Lane 609,  
Sec. 1, Chung-Shan Rd., Ye-Her Li,  
Tachia Chen, Taichung Hsien (TW)

(\*\*) Term: **14 Years**

(21) Appl. No.: **29/169,282**

(22) Filed: **Oct. 16, 2002**

(51) **LOC (7) Cl.** ..... **03-01**

(52) **U.S. Cl.** ..... **D3/282; D3/905**

(58) **Field of Search** ..... **D3/273, 276, 281,**  
**D3/282, 283, 294, 295, 905; 206/349, 372,**  
**373, 379; 190/110, 111, 112, 113**

(56) **References Cited**

**U.S. PATENT DOCUMENTS**

D347,731 S	*	6/1994	Hayakawa et al.	.....	D3/282
5,394,966 A	*	3/1995	Chow	.....	190/119
D358,257 S	*	5/1995	Sidabras et al.	.....	D3/282
D399,652 S	*	10/1998	Fang	.....	D3/282
D406,192 S	*	3/1999	Schurman	.....	D3/282
D412,397 S	*	8/1999	Liu	.....	D3/282
D413,440 S	*	9/1999	Schurman	.....	D3/282
D440,043 S	*	4/2001	Miller et al.	.....	D3/282
D446,650 S	*	8/2001	Chen	.....	D3/282
D462,520 S	*	9/2002	Snider	.....	D3/282

\* cited by examiner

*Primary Examiner*—Philip S. Hyder

(74) *Attorney, Agent, or Firm*—William E. Pelton, Esq.

(57) **CLAIM**

The ornamental design for a tool case, as shown.

**DESCRIPTION**

FIG. 1 is a perspective view of the tool case showing my new design;

FIG. 2 is a front elevational view thereof;

FIG. 3 is a rear elevational view thereof;

FIG. 4 is a left side view thereof;

FIG. 5 is a right side view thereof;

FIG. 6 is a top plain view thereof;

FIG. 7 is a bottom plain view thereof;

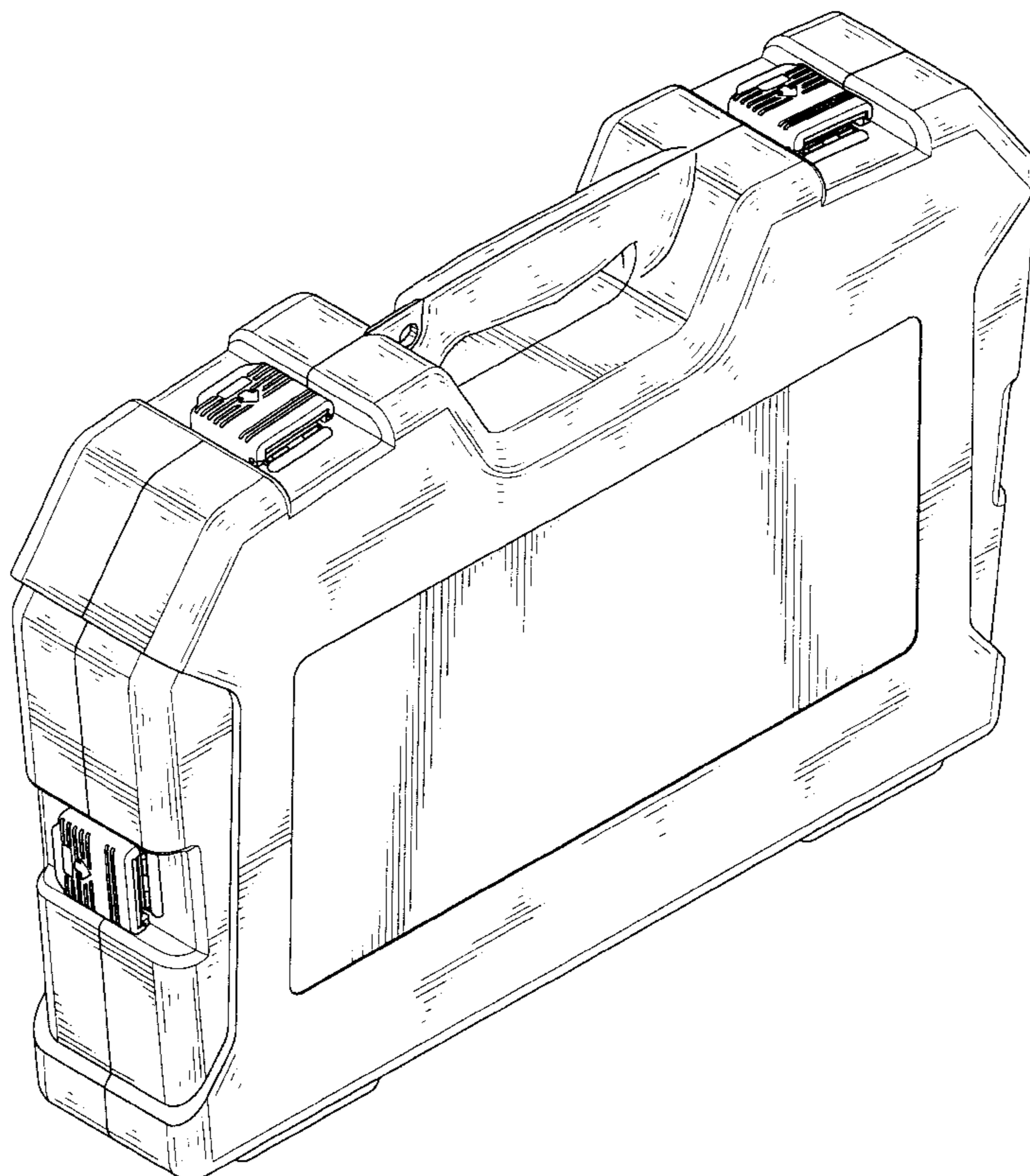
FIG. 8 is a perspective view showing an inner dividing plate attached inside the tool case;

FIG. 9 is an another perspective view showing the inner dividing plate at different inclined angle; and,

FIG. 10 is a partially enlarged cross-sectional side plan view of the tool case along line 10—10 in FIG. 9 showing an engraved cutout formed on the inner plate.

The broken line portions of the disclosure are for illustrative purposes only and form no part of the claimed design.

**1 Claim, 8 Drawing Sheets**



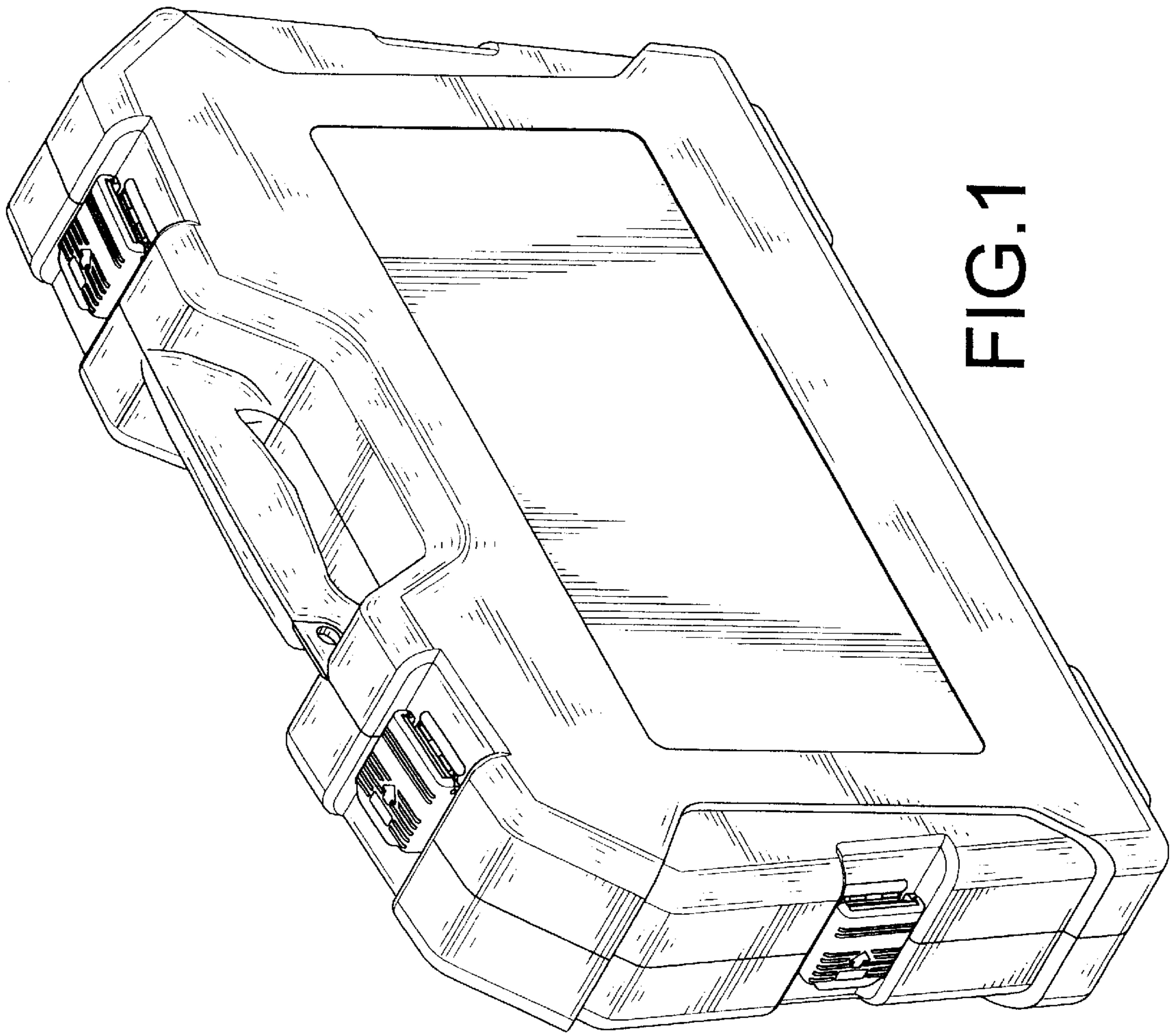


FIG.1

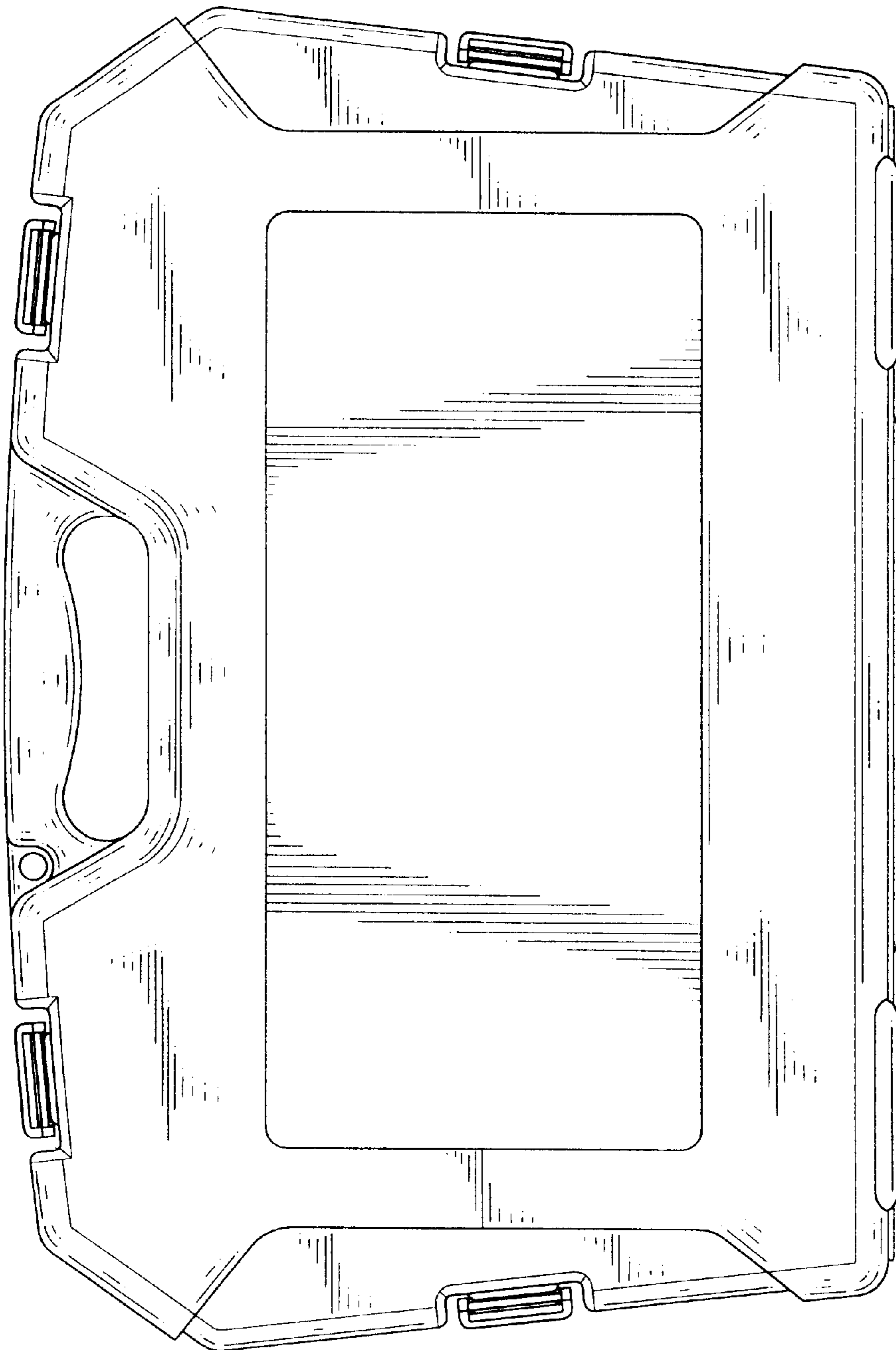


FIG.2

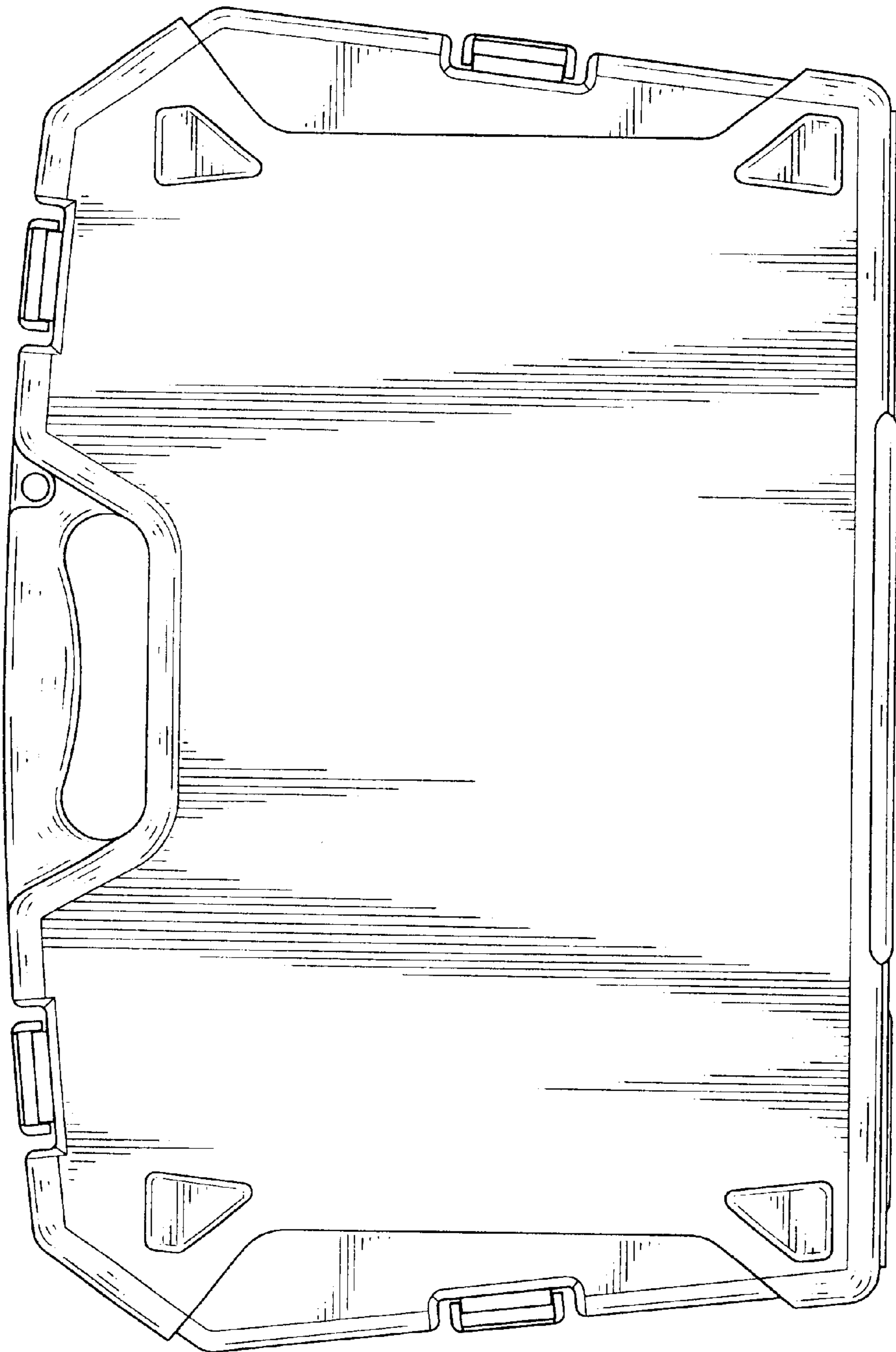


FIG.3

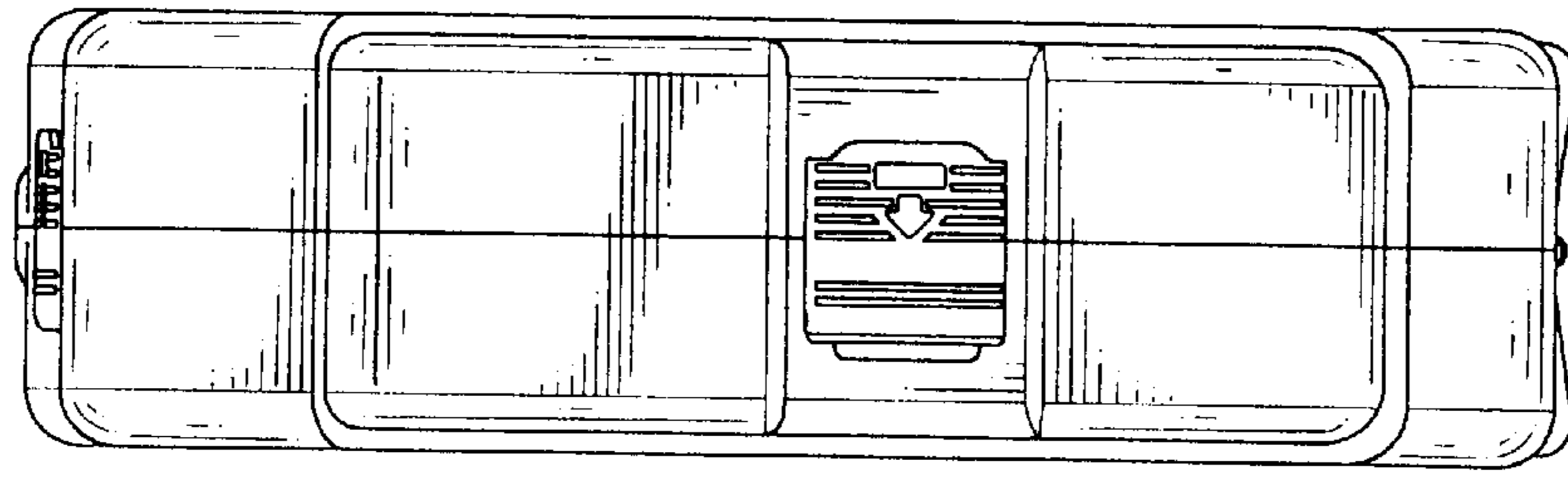


FIG. 5

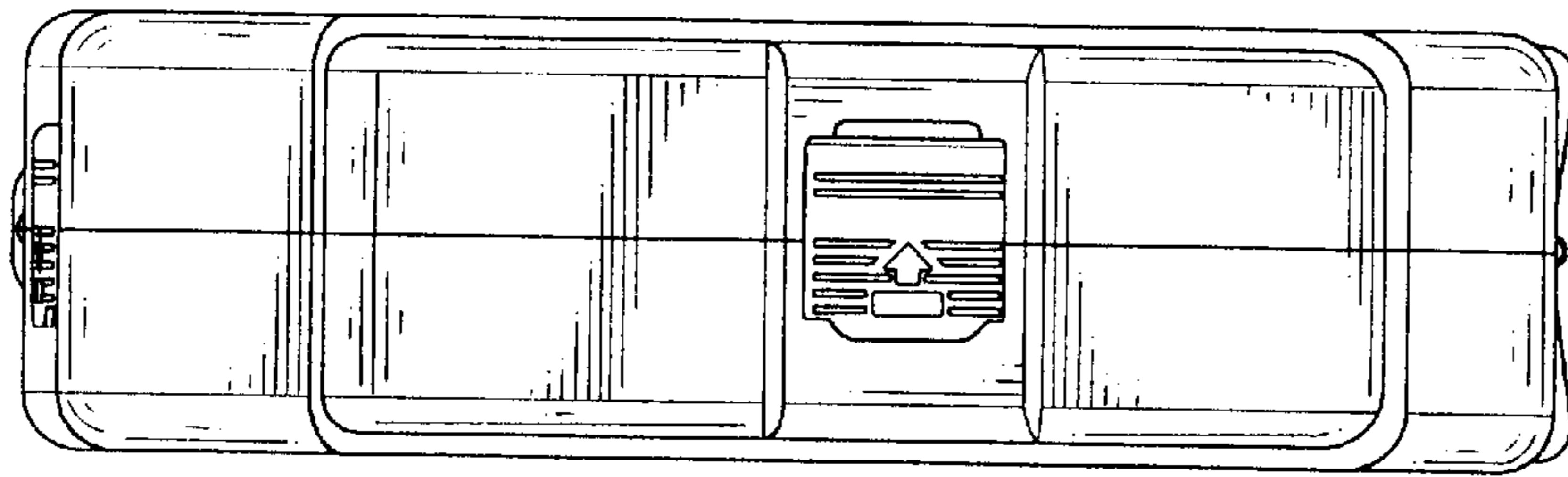


FIG. 4

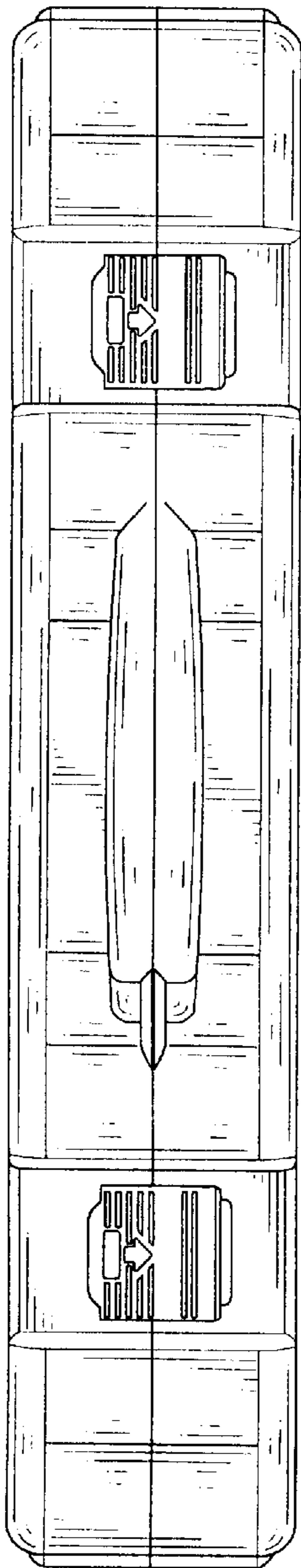


FIG. 6

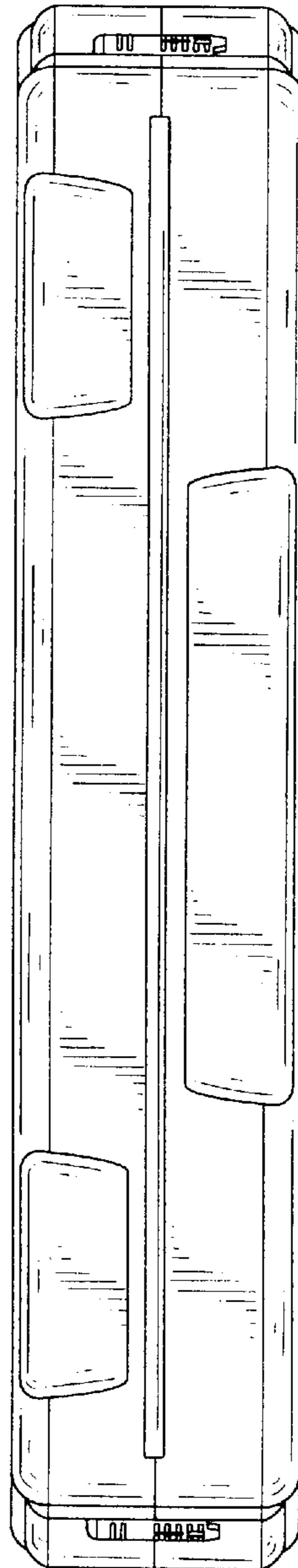


FIG. 7

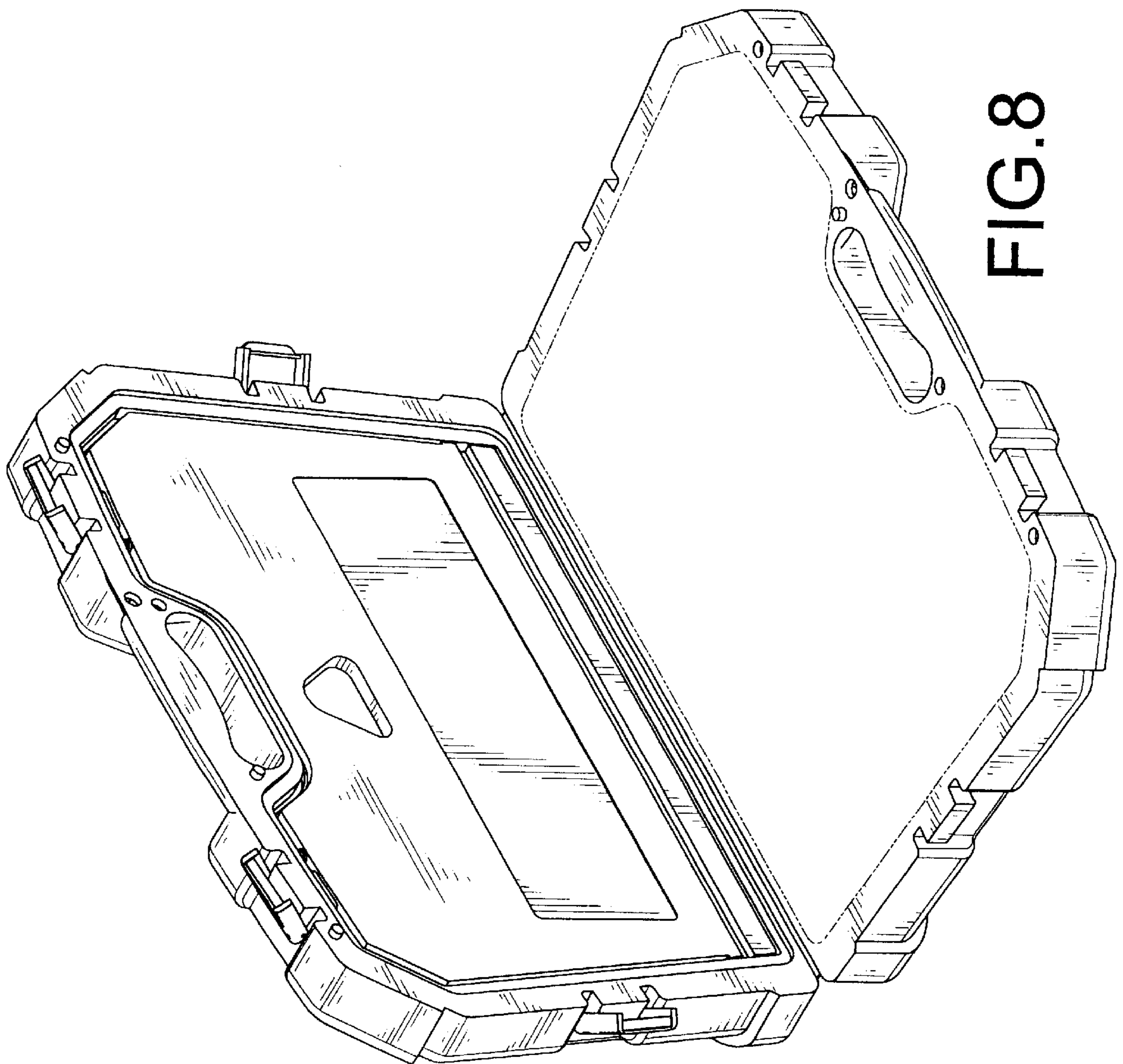


FIG.8

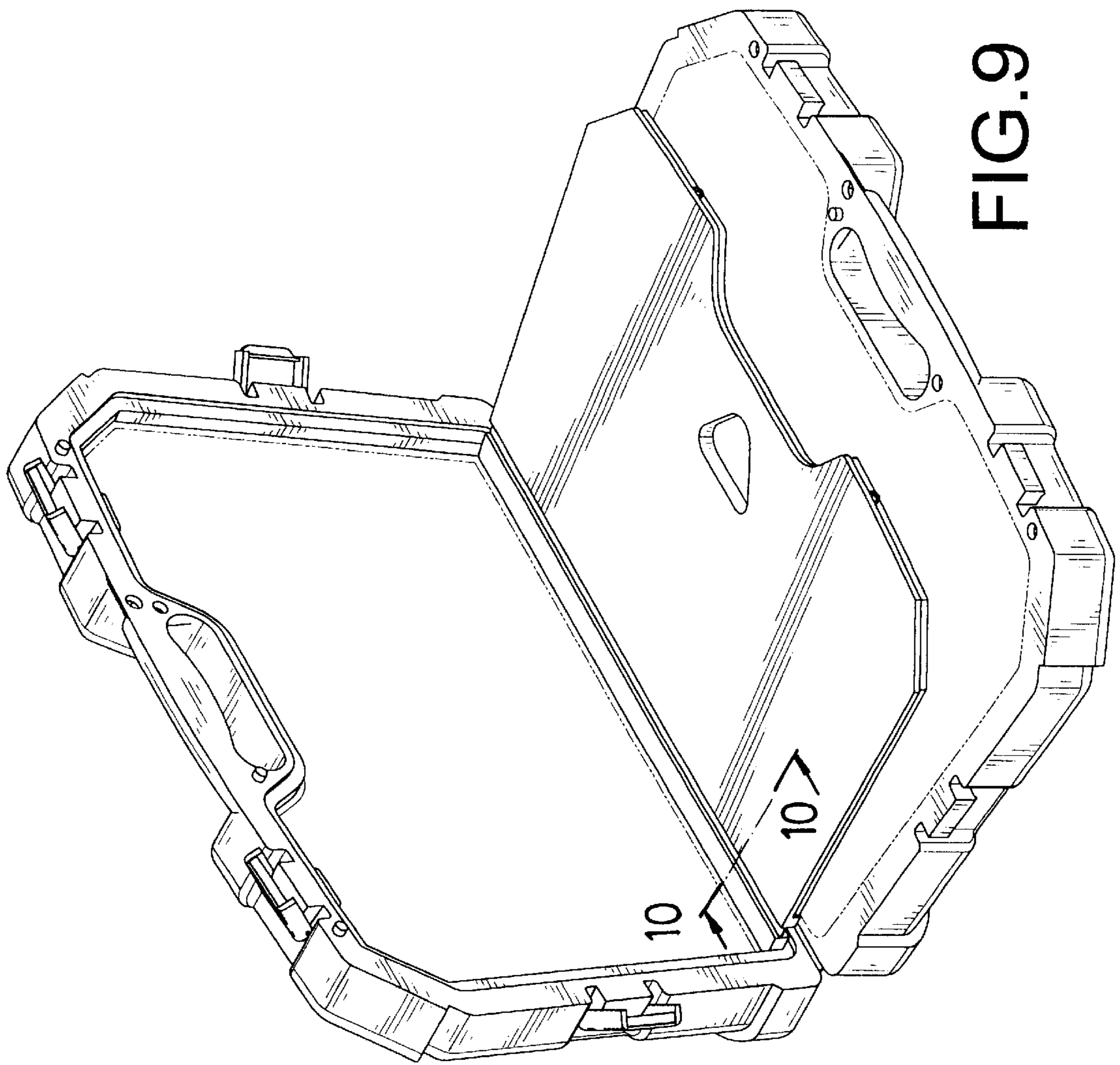


FIG. 9



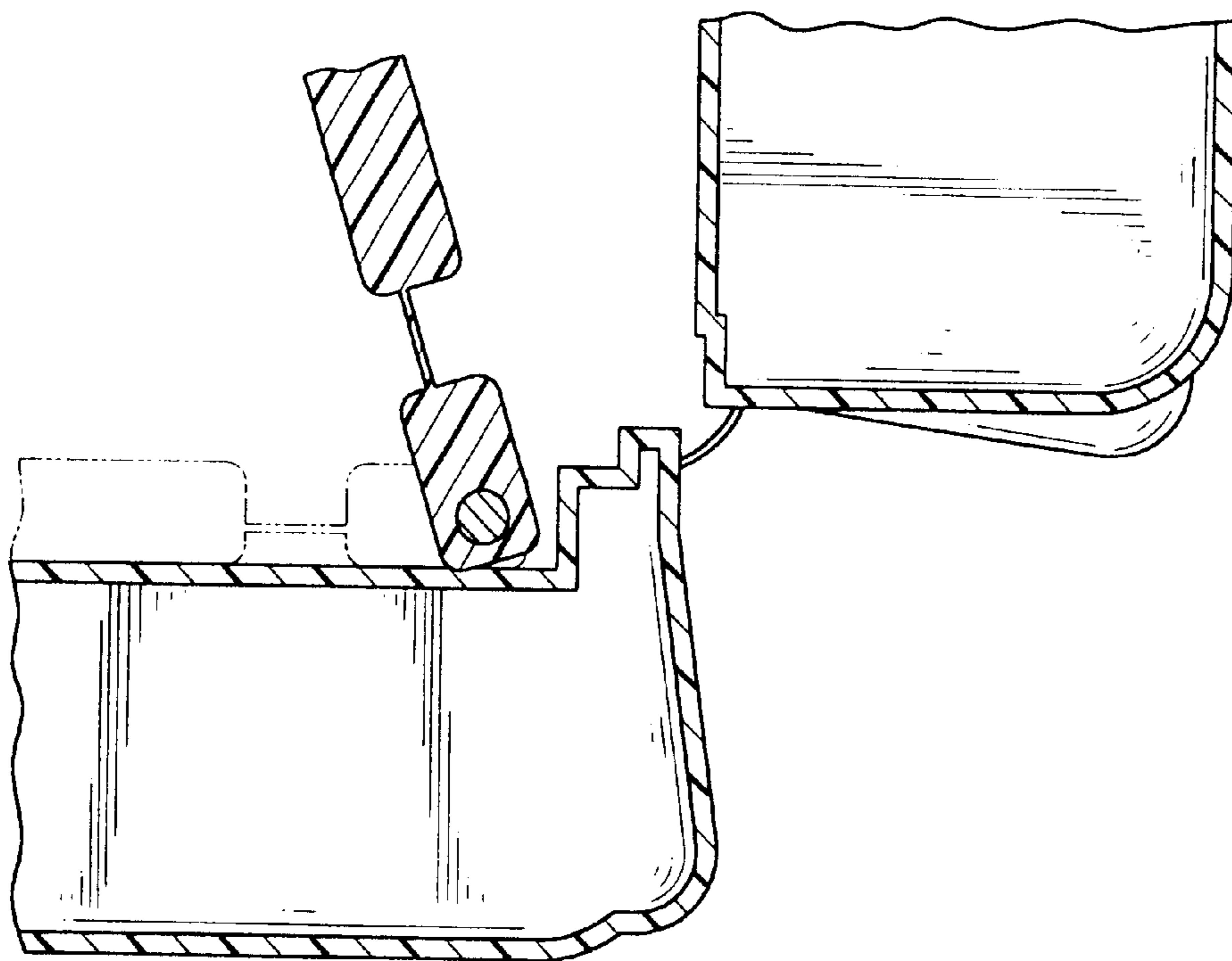


FIG.10