



US00D478208S

(12) **United States Design Patent**
Cassel

(10) **Patent No.:** **US D478,208 S**

(45) **Date of Patent:** **** Aug. 12, 2003**

(54) **CONTAINER**

(75) **Inventor:** **Timothy S. Cassel, Arlington, MA (US)**

(73) **Assignee:** **Sterilite Corporation, Townsend, MA (US)**

(**) **Term:** **14 Years**

D326,200 S	5/1992	Allen et al.	D6/479
D326,345 S	5/1992	Mandell et al.	D34/40
D330,813 S	11/1992	Spitzer et al.	D6/432
D336,806 S	6/1993	Zoellner	D6/510
D351,284 S	10/1994	Kruger	D3/314
D357,120 S	4/1995	Miller	D3/304
D358,727 S	5/1995	Dickinson et al.	D6/470
D360,778 S	8/1995	Apt, III et al.	D6/448

(List continued on next page.)

(21) **Appl. No.:** **29/152,854**

(22) **Filed:** **Dec. 21, 2001**

(51) **LOC (7) Cl. 03-01**

(52) **U.S. Cl. D3/273; D3/297; D3/298**

(58) **Field of Search D3/273, 272, 294, D3/295, 297, 298; D6/448, 432, 509; D19/75; 206/425; 224/42.11, 42.42**

(56) **References Cited**

U.S. PATENT DOCUMENTS

2,733,112 A	1/1956	Dunham	312/111
D191,144 S	8/1961	Schanz et al.	
3,514,170 A	5/1970	Shewchuk	312/107
3,554,429 A	1/1971	Cohen	229/15
D232,506 S	8/1974	Mazza	D6/184
D236,782 S	9/1975	Sklaroff et al.	
3,974,898 A	8/1976	Tullis et al.	190/3
D241,293 S	9/1976	Saporiti et al.	
D246,872 S	1/1978	White	
D248,705 S	8/1978	Thomas	
D275,918 S	10/1984	Taylor	D6/510
D288,639 S	3/1987	Johansson	D6/448
D297,688 S	9/1988	Solomon et al.	D6/448
D300,488 S	4/1989	Yoshikawa	D6/465
D301,076 S	5/1989	Yoshikawa	D34/21
D302,774 S	8/1989	Murphy	D7/76
D310,748 S	9/1990	Embree et al.	D34/40
4,988,003 A	1/1991	Spitzer et al.	206/511
D325,222 S	4/1992	Brüssing	D19/92

OTHER PUBLICATIONS

Catalog, Keter, "Plastic Drawer Systems", 4 pages, 2001.
Catalog, Gracious Living Industries, "Gracious Living Drawers", 8 pages, 2000.

Catalog, Rubbermaid, "Rubbermaid Drawers", 3 pages, 2000.

Catalog, IRIS, "Mini Chest Series", 2 pages, 1996.

Catalog, Homz/Tamor, Homz/Tamor Drawers, 4 pages, 2000.

Catalog, Homz/Tamor, Homz/Tamore Drawers (originally Tenex Products; Molds Sold to Tamor), 2 pages, 2000.

Primary Examiner—Philip S. Hyder

(74) *Attorney, Agent, or Firm*—Hale and Dorr LLP

(57) **CLAIM**

I claim the ornamental design for a container, as shown and described.

DESCRIPTION

FIG. 1 is a perspective view of the container of this invention;

FIG. 2 is a front end view thereof;

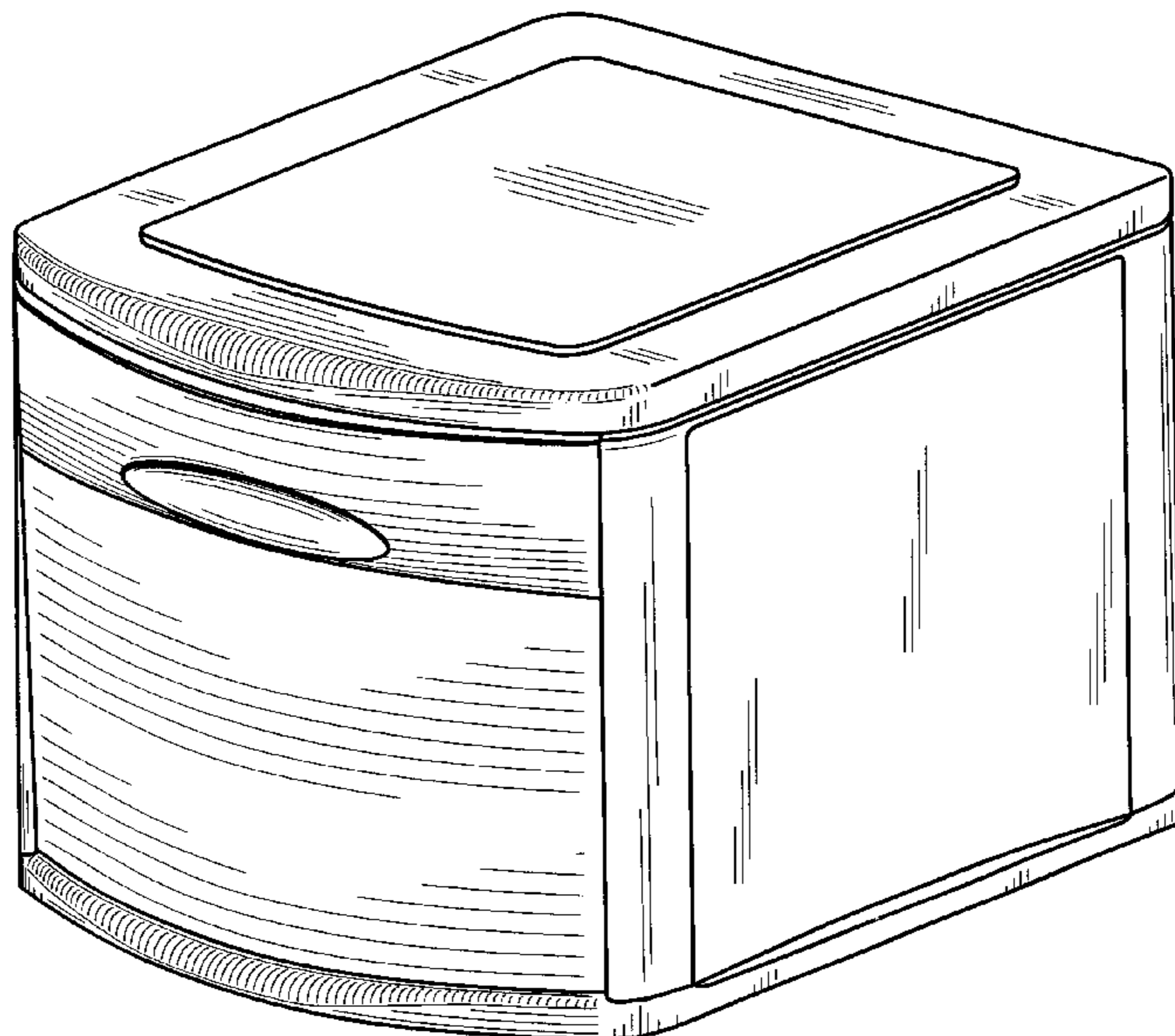
FIG. 3 is a top view thereof;

FIG. 4 is a rear end view thereof;

FIG. 5 is a side view thereof; and,

FIG. 6 is a bottom view thereof.

1 Claim, 3 Drawing Sheets



US D478,208 S

Page 2

U.S. PATENT DOCUMENTS

D363,604 S	10/1995	Koenig et al.	D3/312	D377,739 S	2/1997	Carlson	D7/602
D363,662 S	10/1995	Plater	D9/425	D378,039 S	2/1997	Ferris	D7/602
D364,272 S	11/1995	Brightbill	D3/312	D379,880 S	6/1997	Stoeckli et al.	D6/446
D367,381 S	2/1996	Licari	D6/446	D386,336 S	11/1997	Douglas	D6/510
D367,760 S	3/1996	Zimmerman	D3/314	D389,646 S *	1/1998	Sankey et al.	D3/294
D370,345 S	6/1996	Wolff	D3/312	D394,350 S	5/1998	Zimmerman	D3/314
D370,572 S	6/1996	Lin	D6/446	D397,553 S	9/1998	Zimmerman	D3/314
D372,123 S	7/1996	Kobilarcik et al.	D3/312	D404,599 S	1/1999	Douglas	D6/509
D372,378 S	8/1996	Kruger	D6/448	D439,406 S	3/2001	Zimmerman	D3/273
D372,583 S	8/1996	Brightbill	D3/314	D445,568 S	7/2001	Lippisch	D3/273
D374,774 S	10/1996	Cassel	D3/294	D446,012 S *	8/2001	Ashiwa et al.	D3/273
D377,721 S	2/1997	Pohlman	D6/436				

* cited by examiner

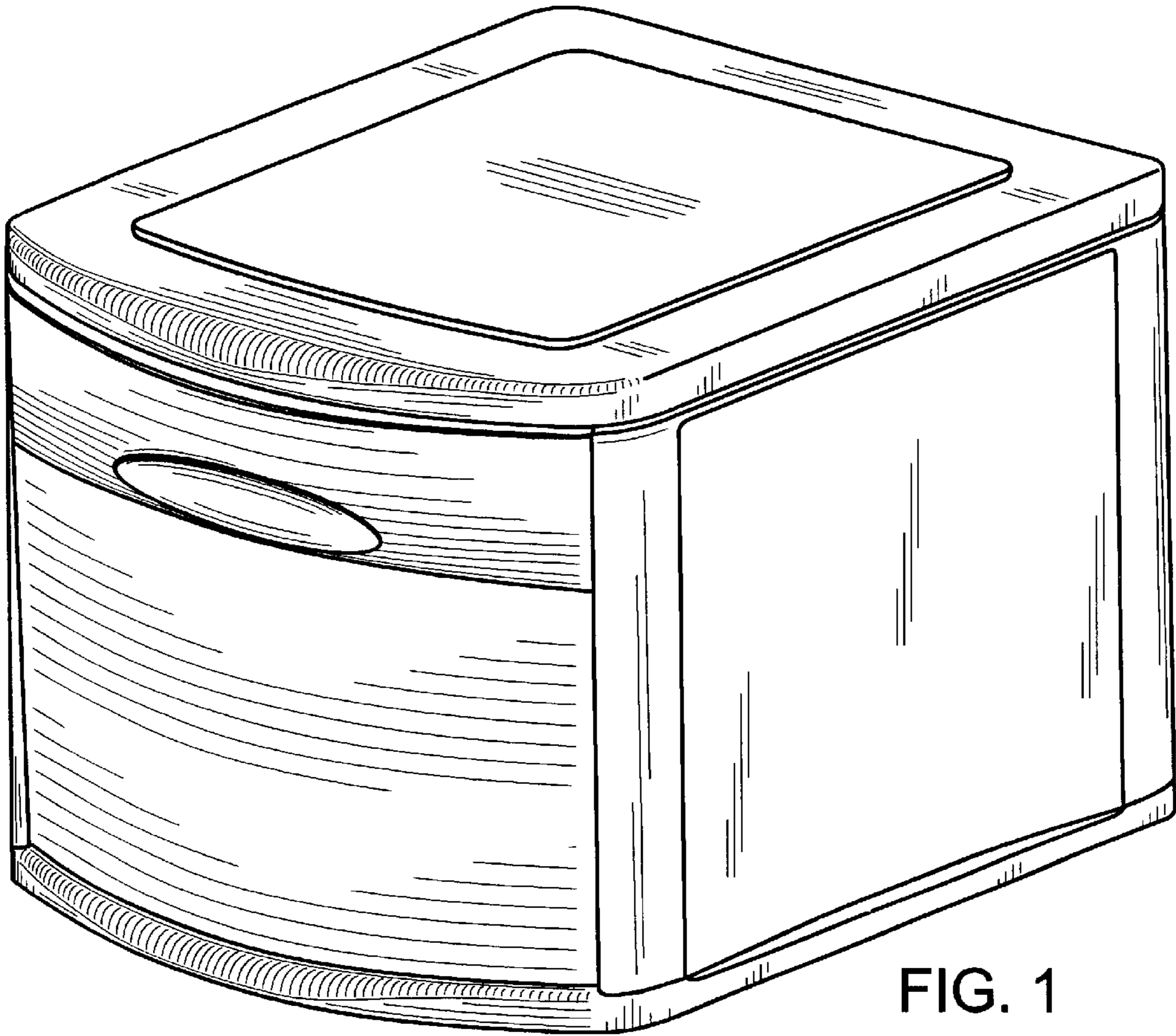


FIG. 1

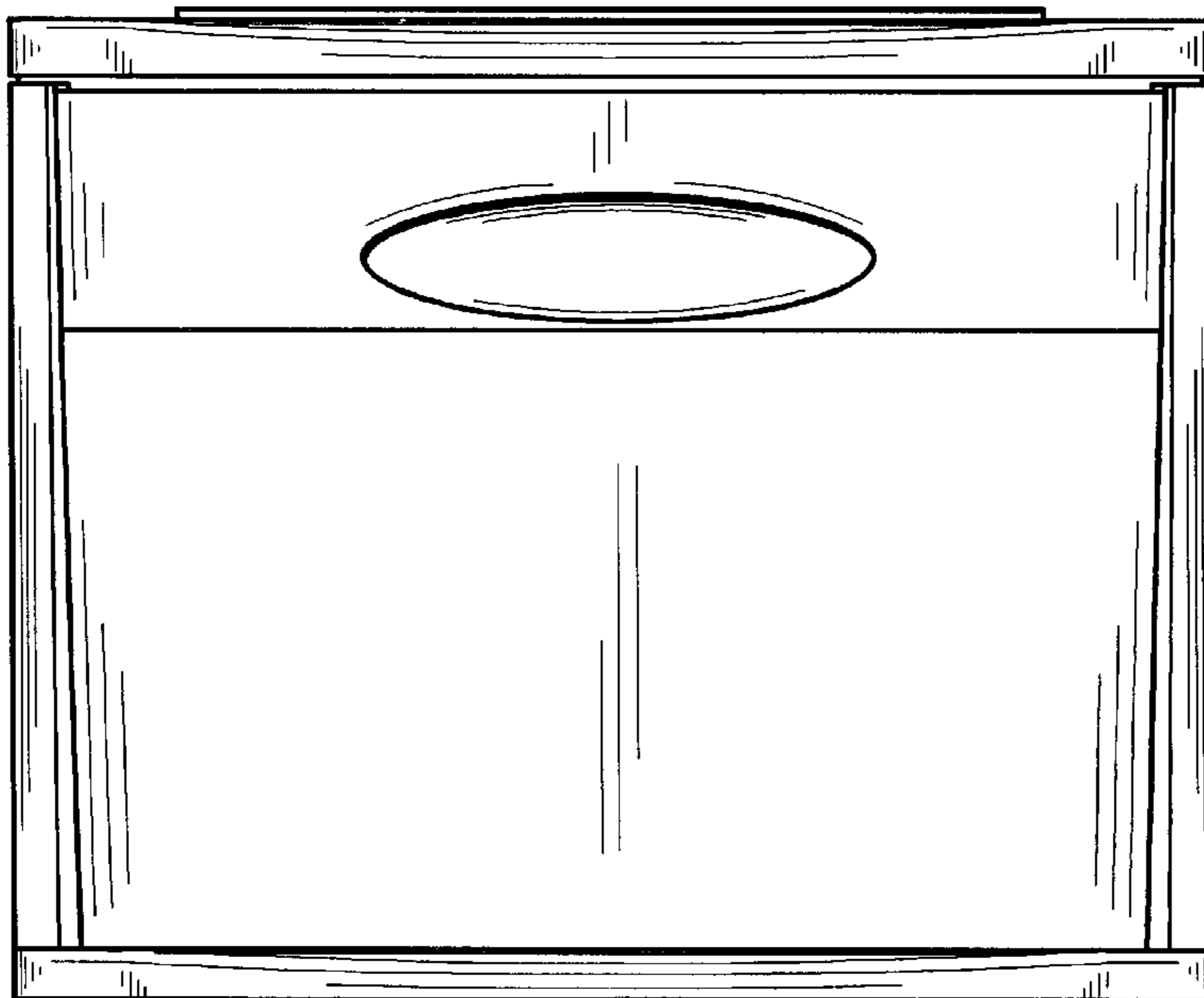


FIG. 2

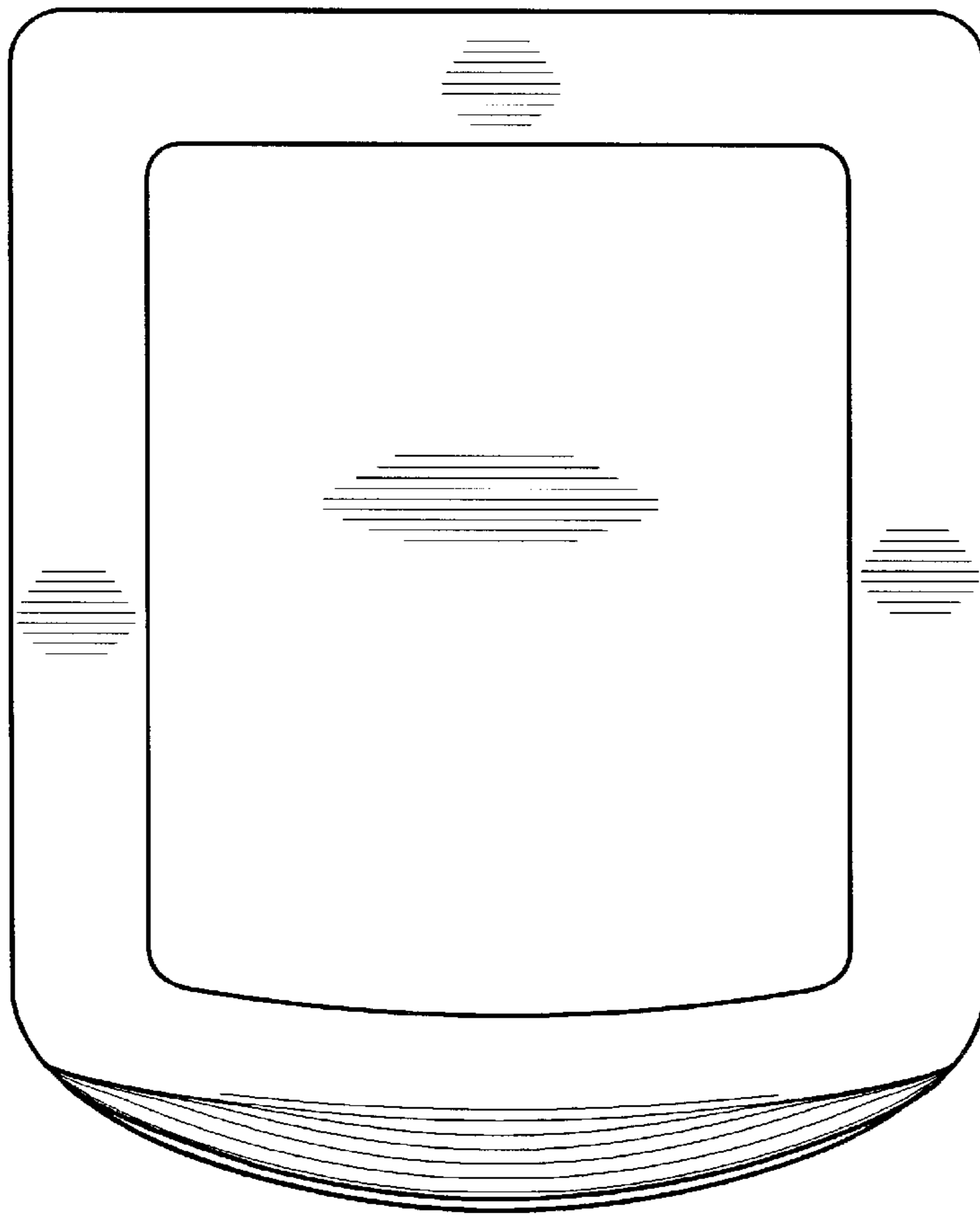


FIG. 3

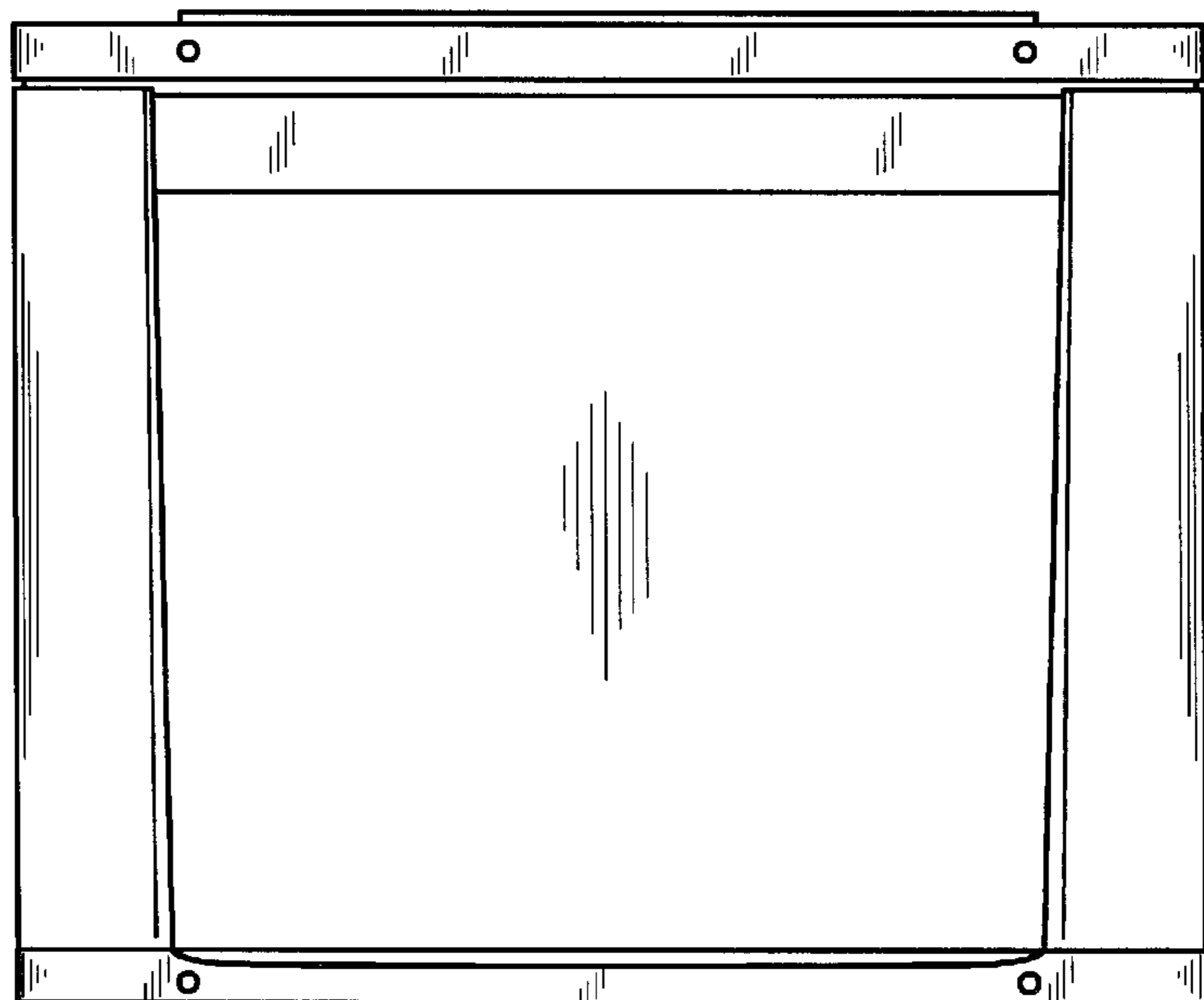


FIG. 4

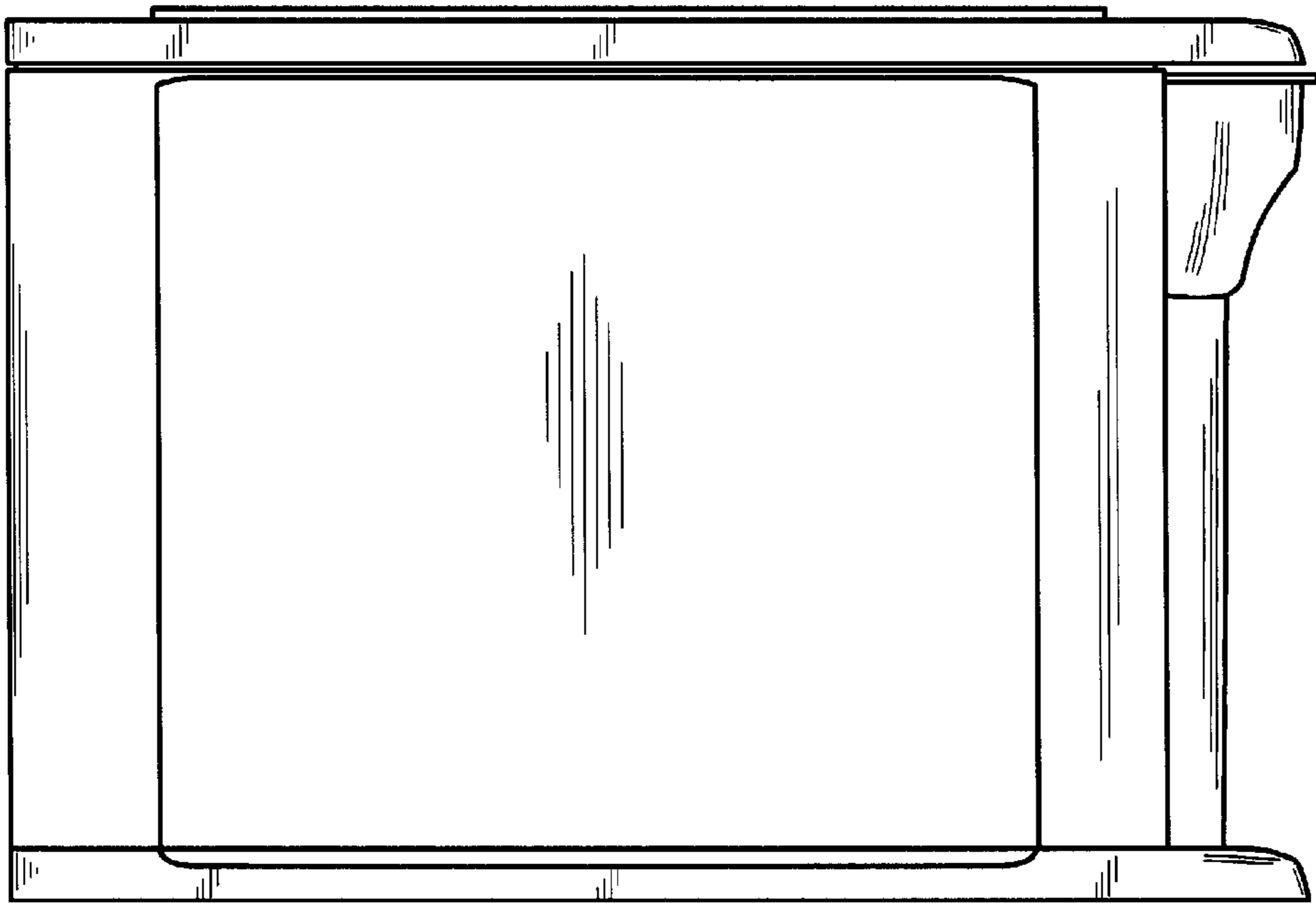


FIG. 5

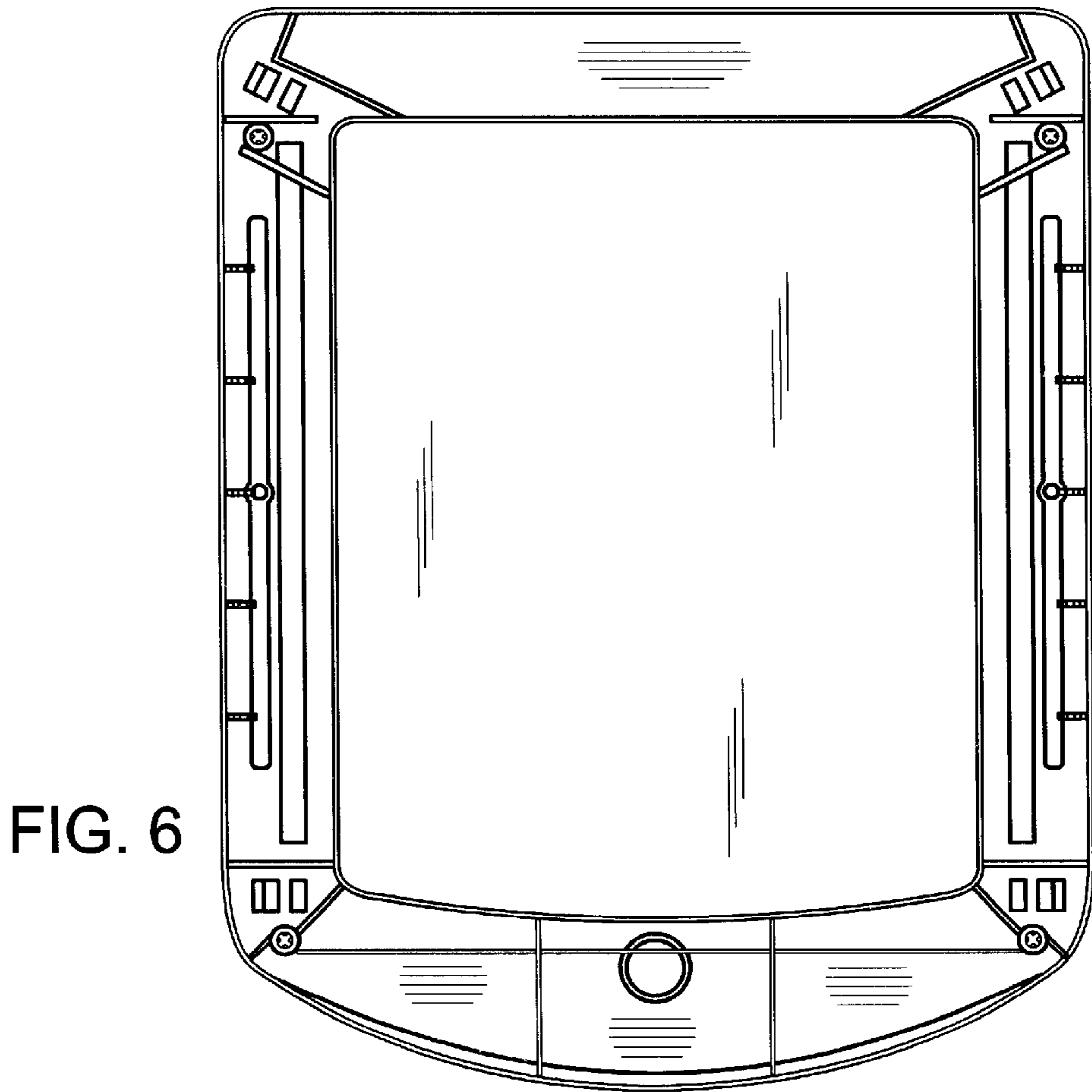


FIG. 6