



US00D478207S

(12) **United States Design Patent**
Johnson

(10) **Patent No.:** **US D478,207 S**

(45) **Date of Patent:** **** Aug. 12, 2003**

(54) **KEY-SHAPED CLIP DESIGN FOR PERMITTING KEY RINGS AND THE LIKE TO BE ATTACHED THERETO**

(76) **Inventor:** **Kathleen K. Johnson**, 1400 Colorado St., Suite C, Boulder City, NV (US) 89005

(**) **Term:** **14 Years**

(21) **Appl. No.:** **29/169,512**

(22) **Filed:** **Oct. 22, 2002**

(51) **LOC (7) Cl.** **03-01**

(52) **U.S. Cl.** **D3/207**

(58) **Field of Search** D3/207-212; D8/347; 70/456 B, 456 R, 456-458, 460; 24/3.6, 3.7; D10/2; 40/330

(56) **References Cited**

U.S. PATENT DOCUMENTS

1,206,074	A	*	11/1916	Zwiener et al.	24/3.6
1,473,361	A	*	11/1923	Tebbetts	24/3.6
2,231,308	A	*	2/1941	Wash et al.	24/3.6
D189,133	S	*	11/1960	Anderson	D3/207
D263,243	S	*	3/1982	Creamer	D19/34
5,365,760	A	*	11/1994	Song	70/460
D439,401	S		3/2001	Johnson		

* cited by examiner

Primary Examiner—Ralf Seifert

(74) *Attorney, Agent, or Firm*—Harry M. Weiss; Weiss, Moy & Harris, P.C.

(57) **CLAIM**

The ornamental design of an improved key-shaped clip design for permitting key rings and the like to be attached thereto, as shown and described.

DESCRIPTION

FIG. 1 is a perspective view of one embodiment of the improved key-shaped clip design for permitting key rings and the like to be attached thereto of this invention.

FIG. 2 is a rear side elevation vertical view of the improved key-shaped clip design for permitting key rings and the like to be attached thereto of FIG. 1.

FIG. 3 is a right side elevational view of the improved key-shaped clip design for permitting key rings and the like to be attached thereto of FIG. 2 with the left side elevational view being the same.

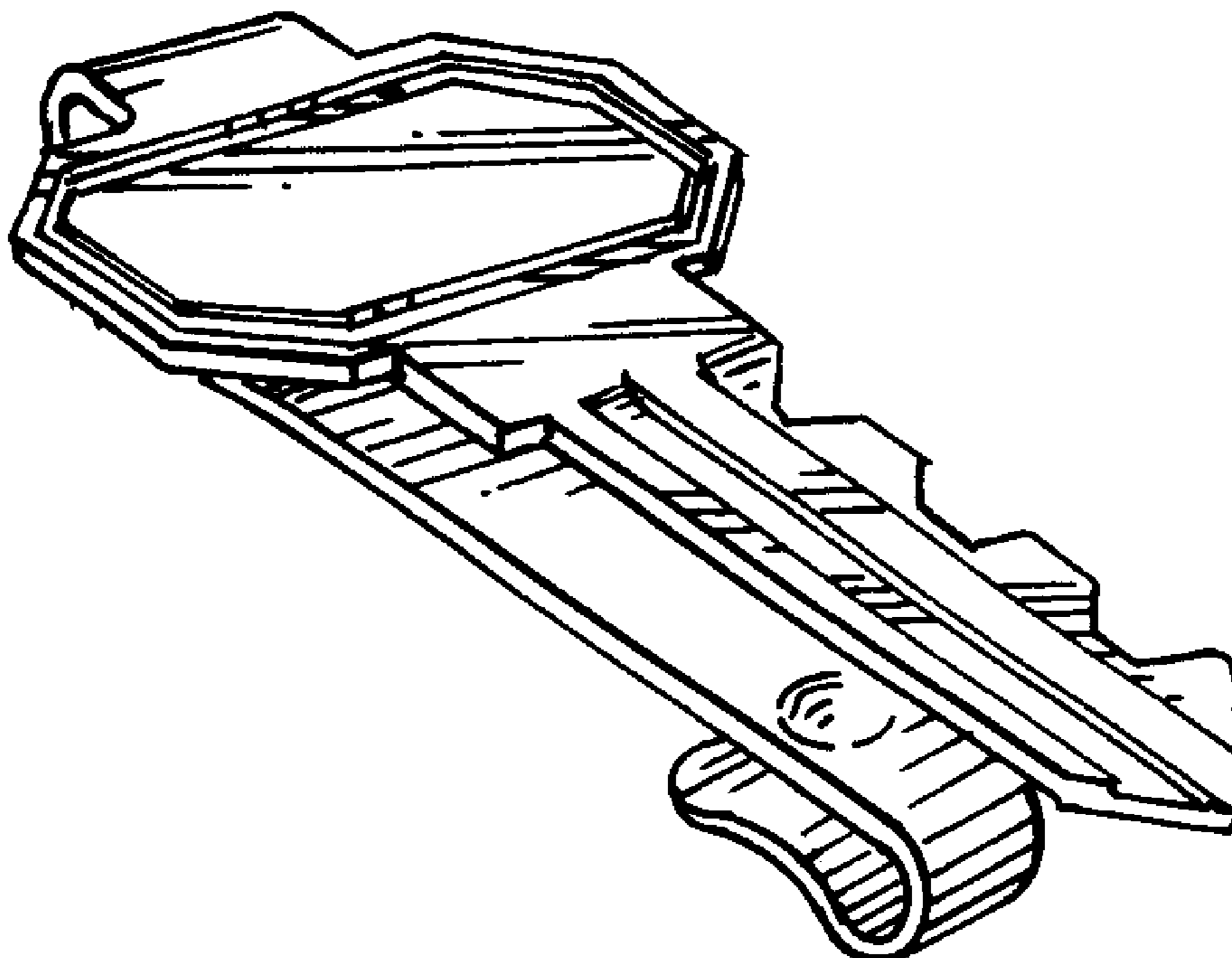
FIG. 4 is a front view of the improved key-shaped clip design for permitting key rings and the like to be attached thereto of FIG. 1.

FIG. 5 is a top end elevational view of the improved key-shaped clip design for permitting key rings and the like to be attached thereto of FIG. 4.

FIG. 6 is a bottom end elevational view of the improved key-shaped clip design for permitting key rings and the like to be attached thereto of FIG. 4; and,

FIG. 7 is a perspective view of another embodiment of the improved key-shaped clip design for permitting key rings and the like to be attached thereto without the indentation shown in FIG. 1.

1 Claim, 1 Drawing Sheet



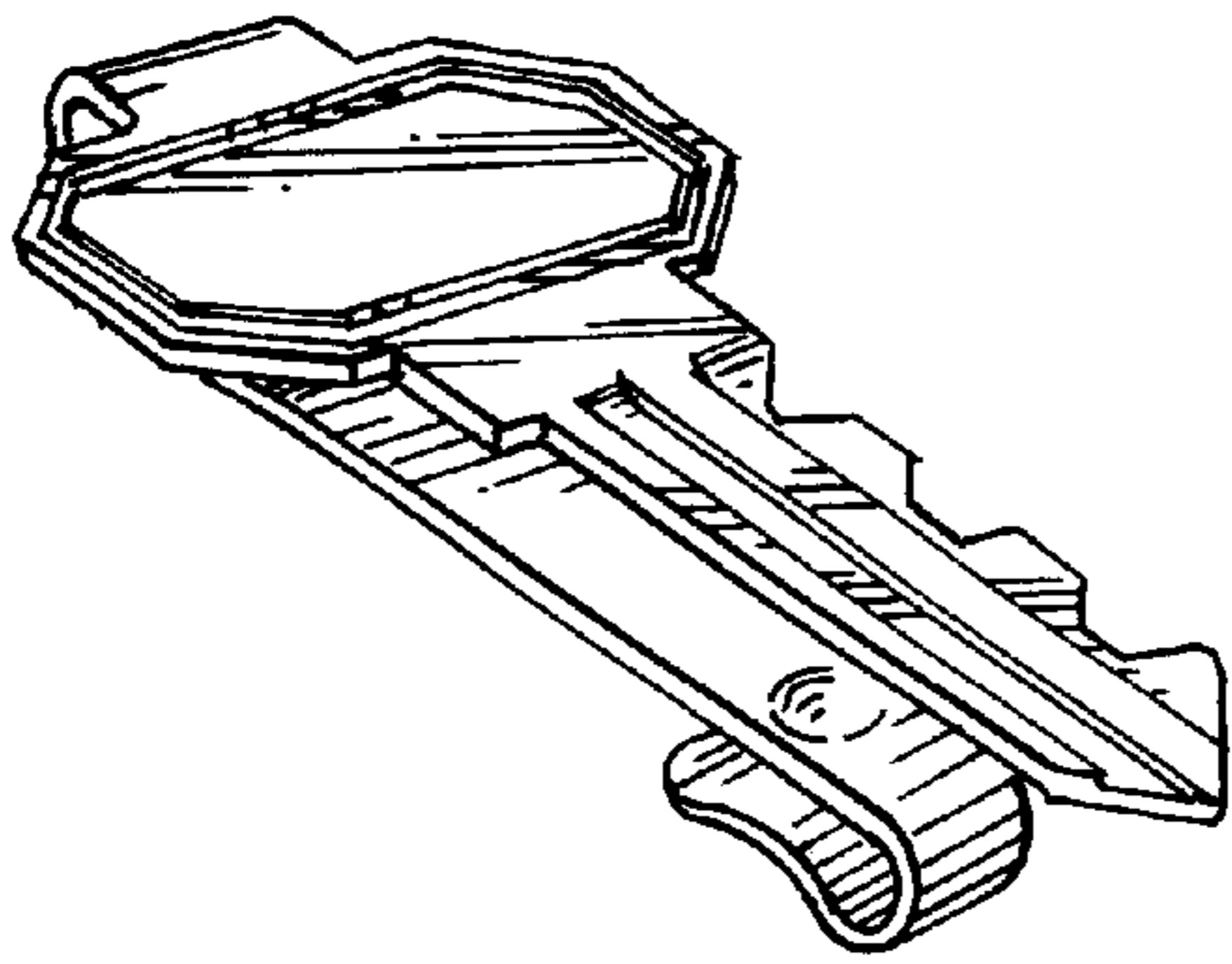


FIG. 1



FIG. 5

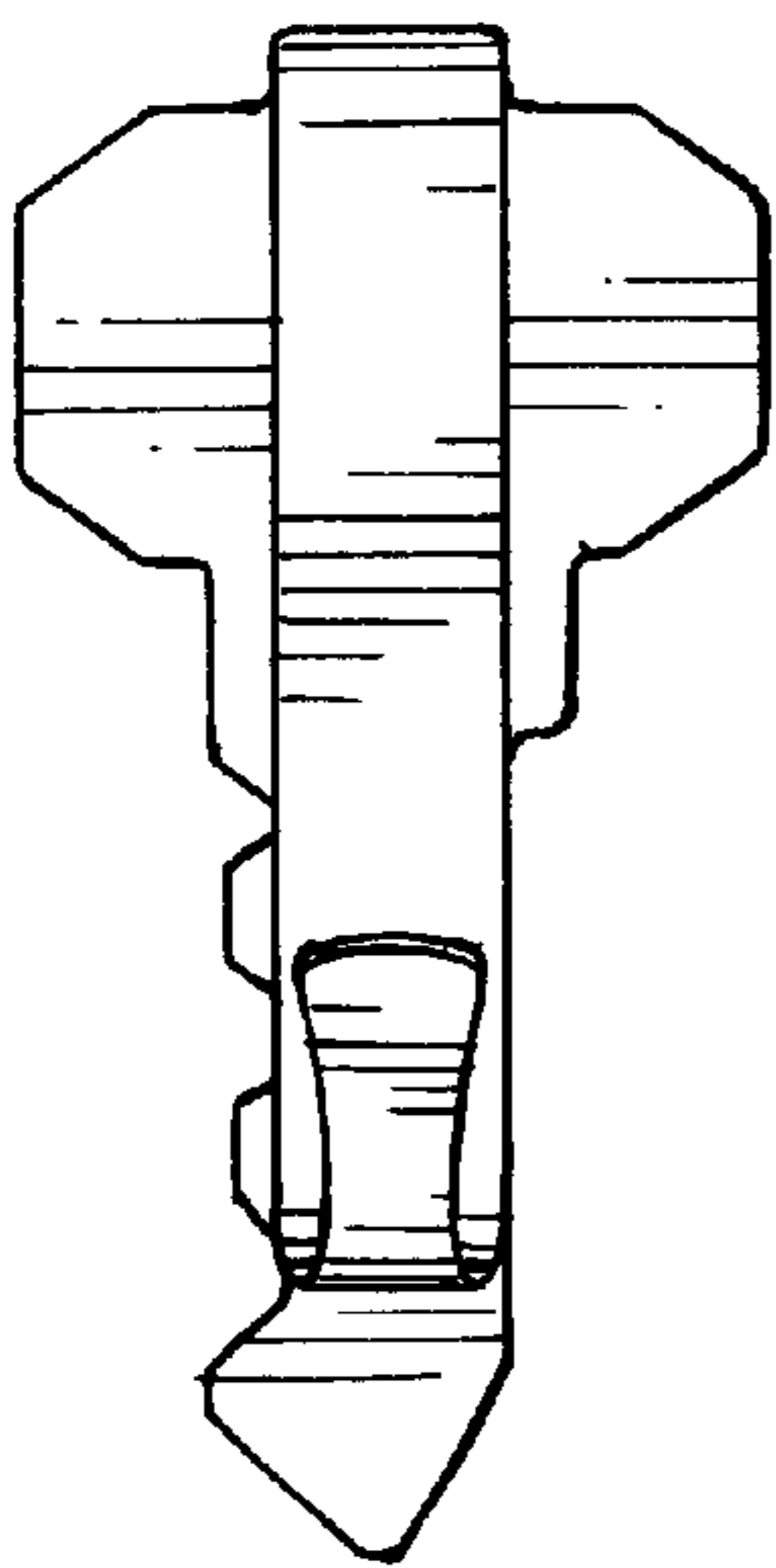


FIG. 2



FIG. 3

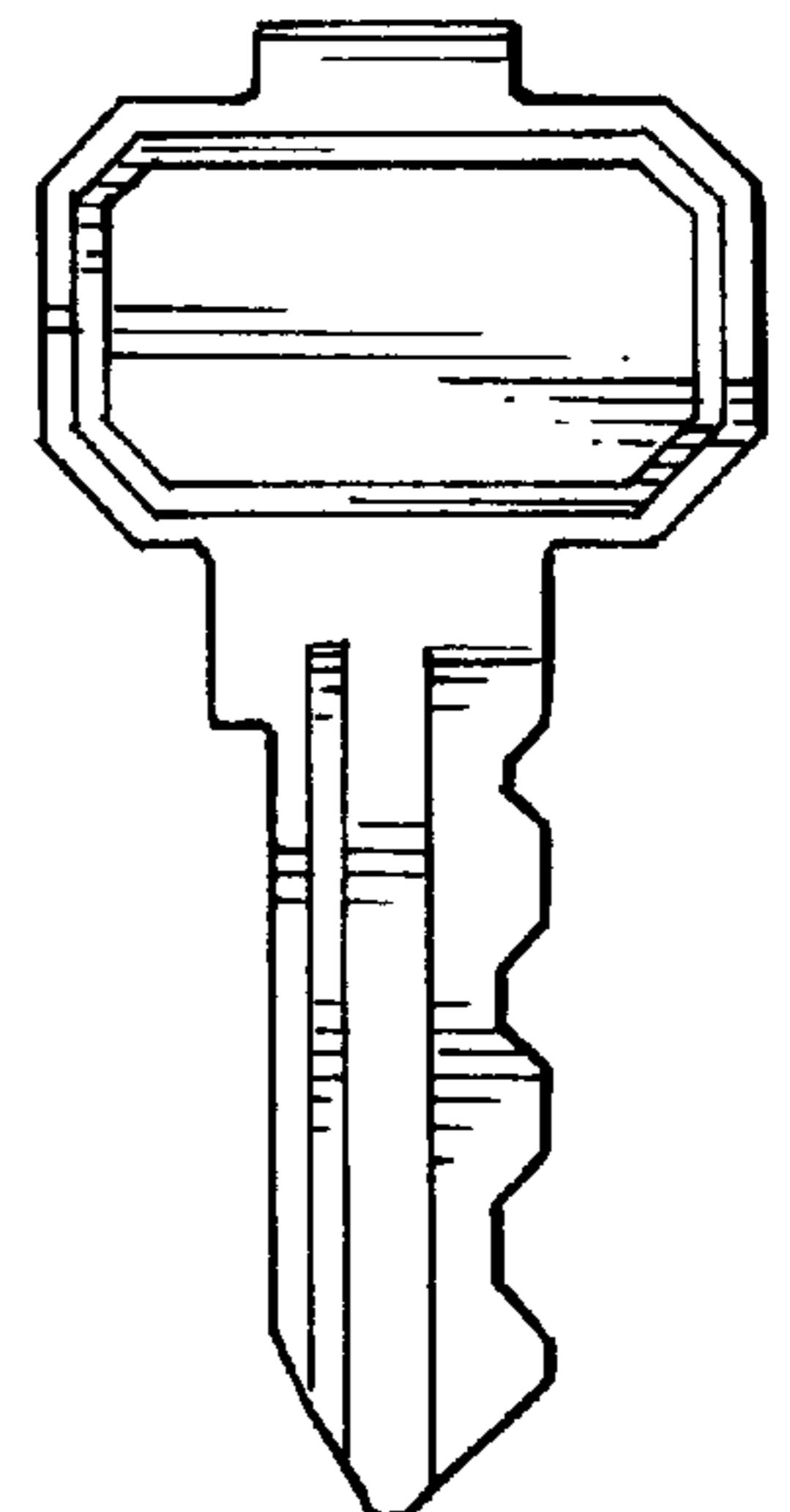


FIG. 4

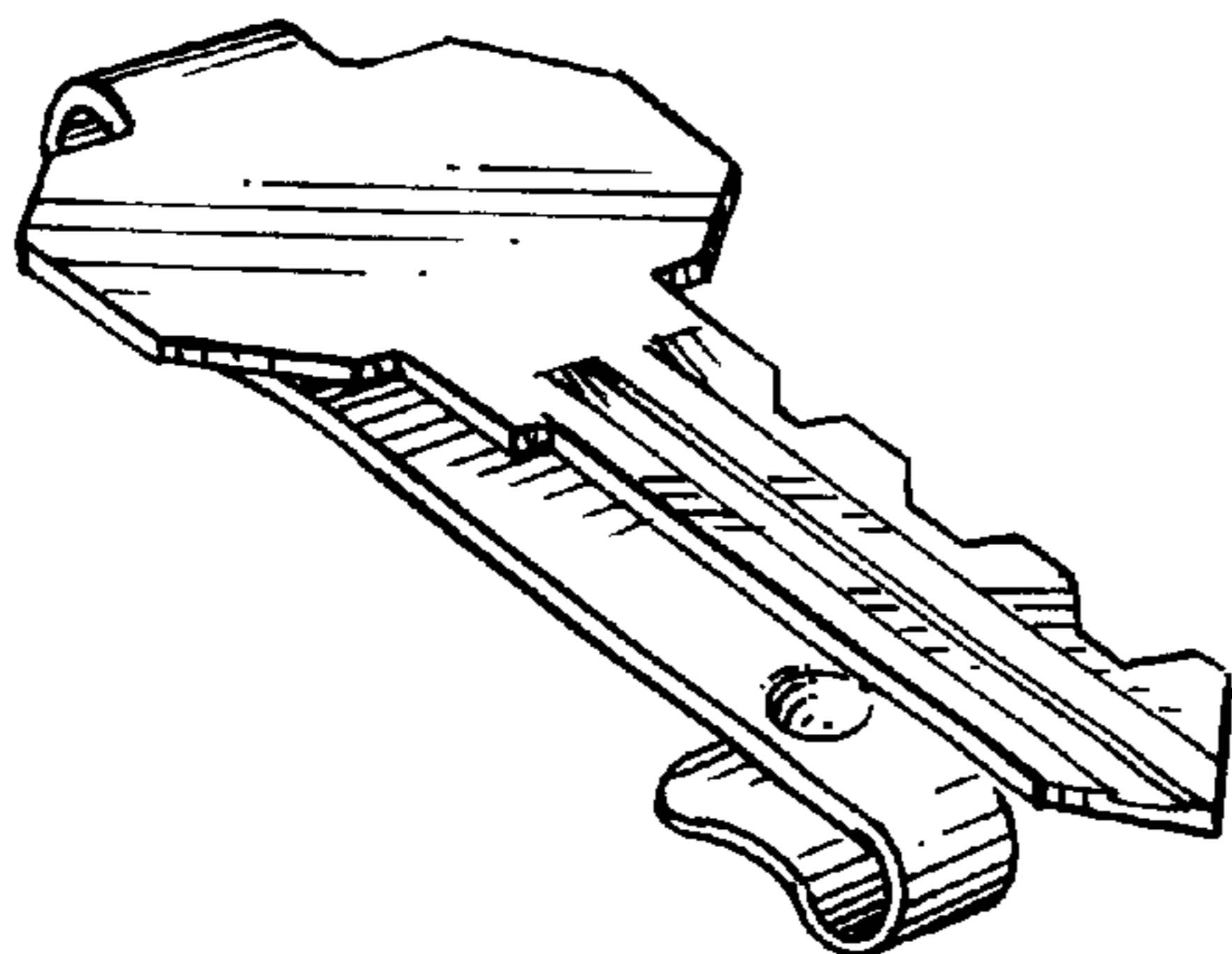


FIG. 7

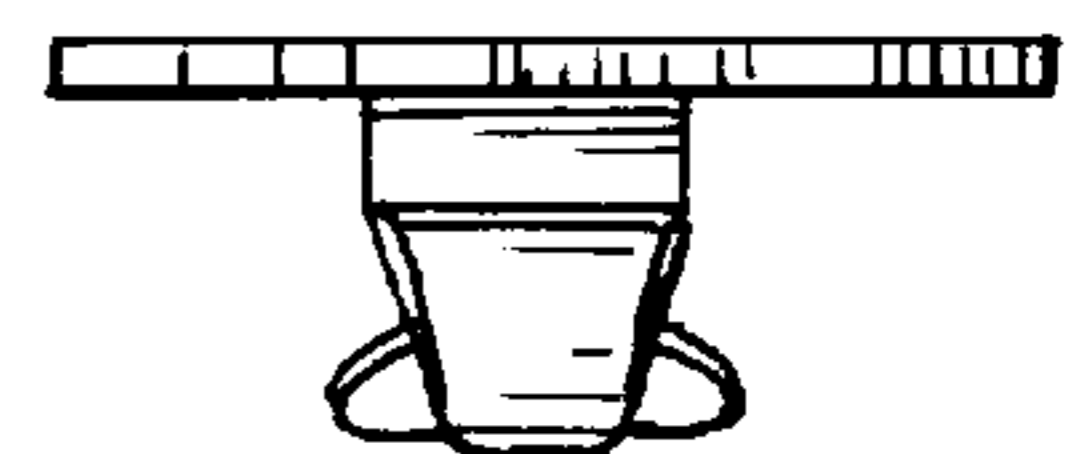


FIG. 6