



US00D478203S

(12) **United States Design Patent** (10) **Patent No.:** **US D478,203 S**  
**Wheeler-Dickson et al.** (45) **Date of Patent:** **\*\* Aug. 12, 2003**

(54) **HOSPITAL GOWN**

(75) Inventors: **Jacqueline Wheeler-Dickson**,  
Martinsburg, PA (US); **Diane Pringle**,  
Johnstown, PA (US)

(73) Assignees: **Mary B. Wheeler School of Design, Inc.**, PA (US); **Windber Medical Center**, PA (US)

(\*\*) Term: **14 Years**

(21) Appl. No.: **29/165,258**

(22) Filed: **Aug. 6, 2002**

(51) **LOC (7) Cl.** ..... **02-01**

(52) **U.S. Cl.** ..... **D2/720**

(58) **Field of Search** ..... D2/720, 756, 724;  
2/133, 1, 114

(56) **References Cited**

**U.S. PATENT DOCUMENTS**

D419,748 S \* 2/2000 Sartori ..... D2/720  
D431,344 S \* 10/2000 Briceno ..... D2/720

\* cited by examiner

*Primary Examiner*—Doris Clark

(74) *Attorney, Agent, or Firm*—Cohen & Grigsby, P.C.

(57) **CLAIM**

An ornamental design for a hospital gown, substantially as shown in the drawing.

**DESCRIPTION**

The present invention relates to a gown for medical and hospital use.

FIG. 1 is a perspective view of the front of the hospital gown showing our new design.

FIG. 2 is a perspective view of the front, left side, having slit and panels closed of the hospital gown showing our new design.

FIG. 3 is a perspective view of the front, right side, having slit and panels closed and partial gown opening of the hospital gown showing our new design.

FIG. 4 is a perspective view of the front, left side, with a slit open of the hospital gown showing our new design.

FIG. 5 is a perspective view of the front, right side with a slit open of the hospital gown showing our new design.

FIG. 6 is a elevation view of the front, right side with a slit open of the hospital gown showing our new design.

FIG. 7 is a elevation view of the front, left panel partially open, right pane fully in open position of the hospital gown showing our new design.

FIG. 8 is a elevation view of the front, both front panels in open position of the hospital gown showing our new design.

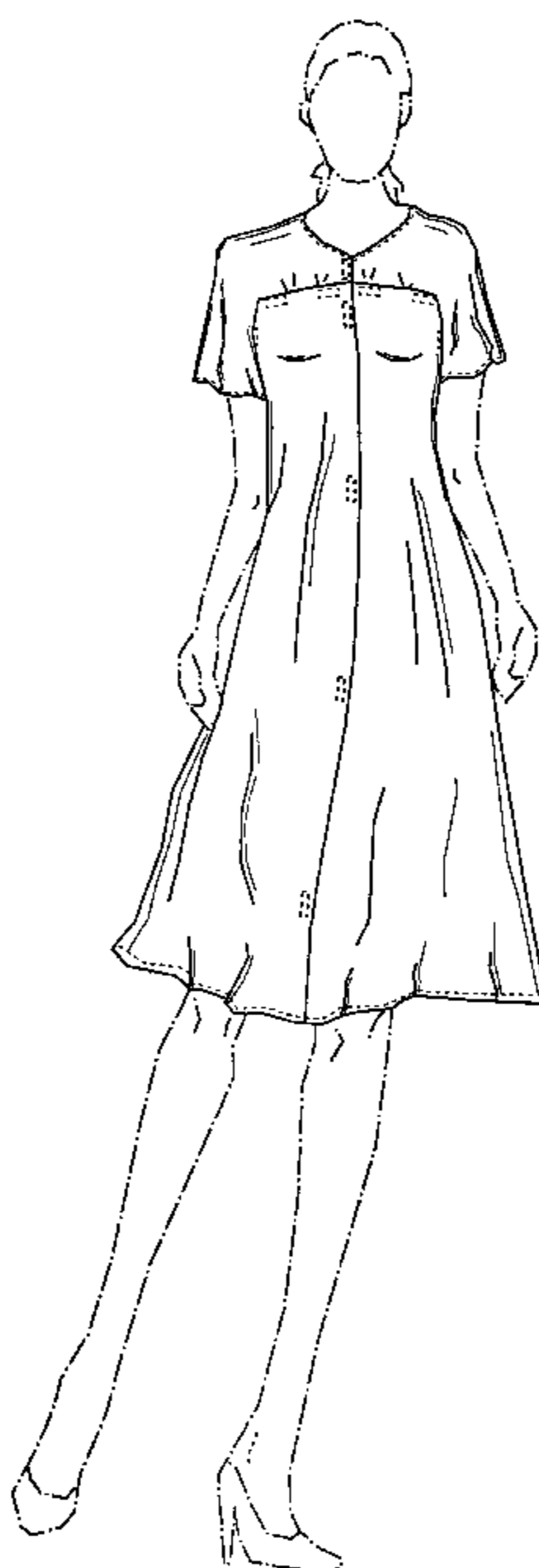
FIG. 9 is a rear elevation view of the hospital gown showing our new design.

FIG. 10 is a perspective view of the front, left side, slit open and left side panel in open position of the hospital gown showing our new design; and,

FIG. 11 is a perspective view of the front, right side, slit open and right side panel in open position of the hospital gown showing our new design.

The broken lines illustrated throughout the hospital gown represent stitching.

**1 Claim, 6 Drawing Sheets**



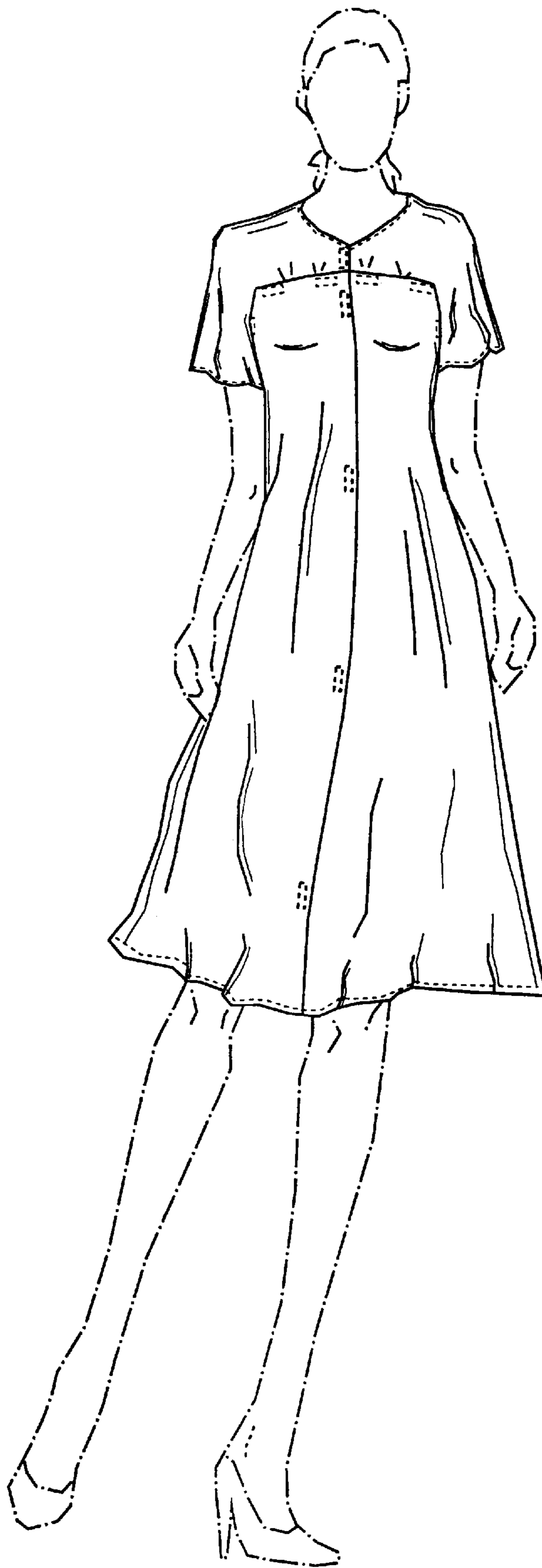


FIG. 1

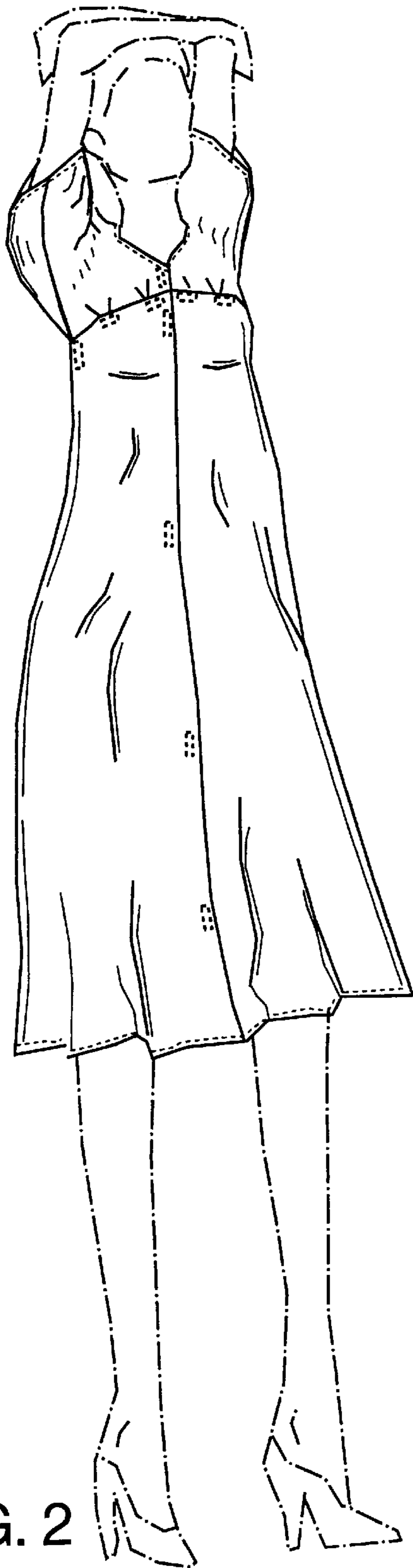


FIG. 2

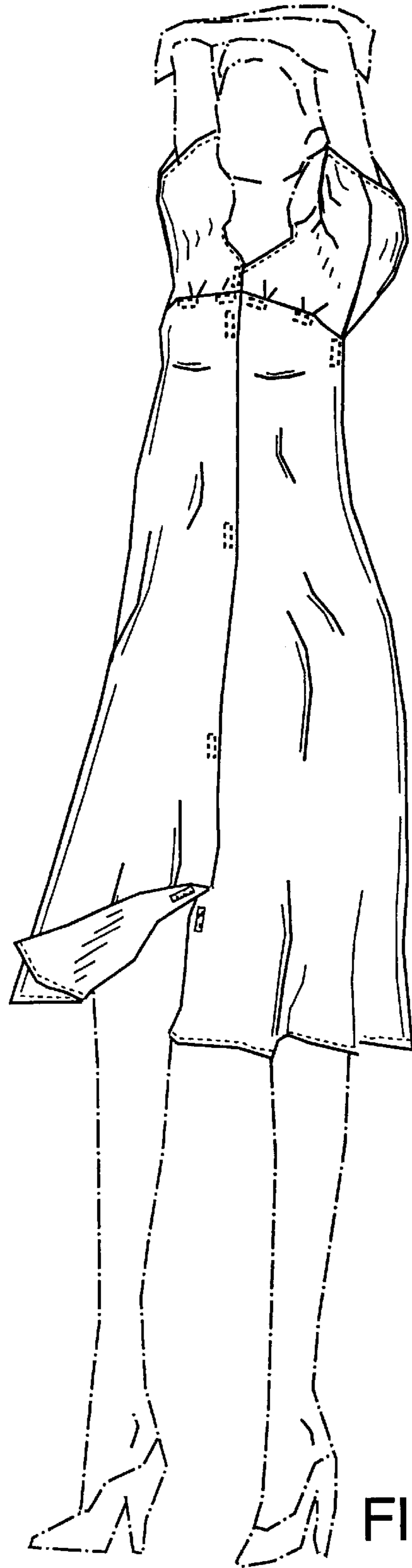


FIG. 3

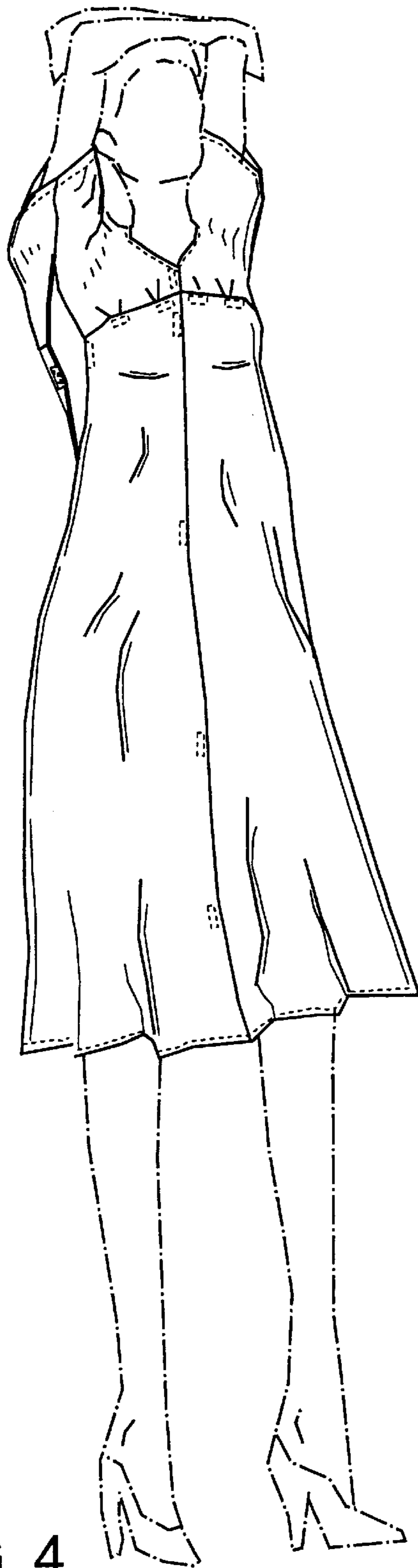


FIG. 4

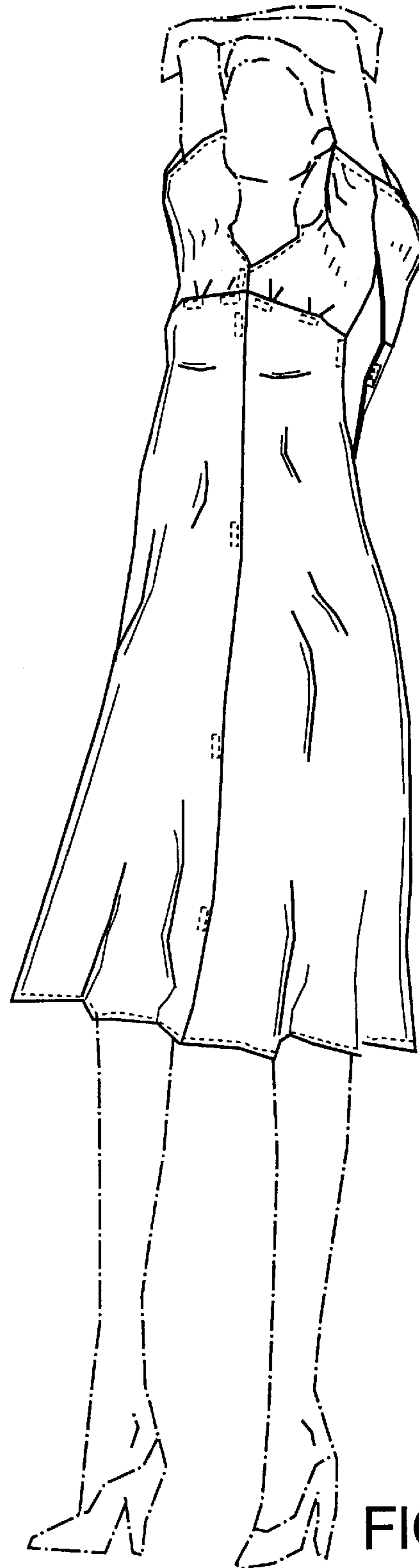


FIG. 5

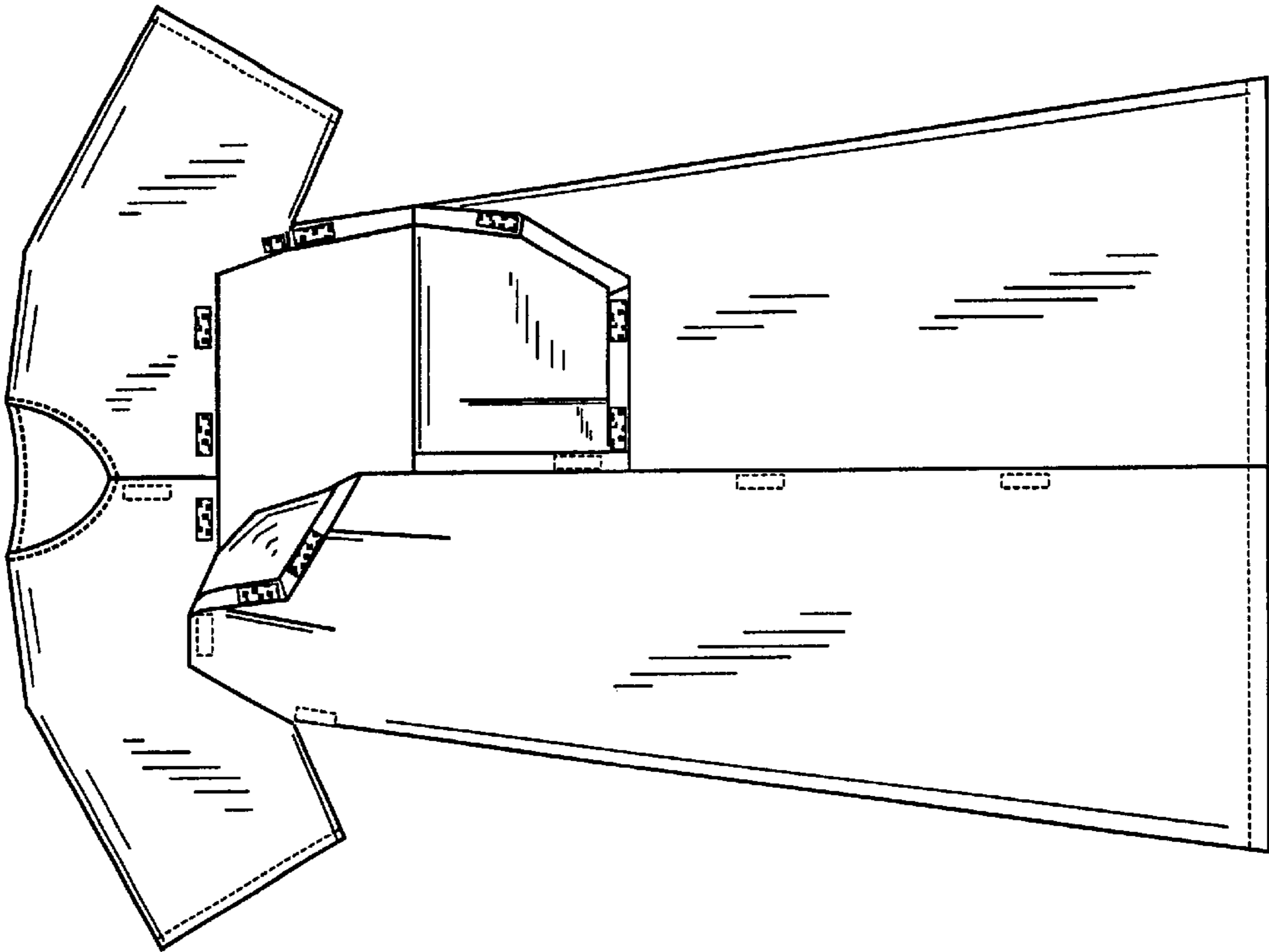


FIG. 7

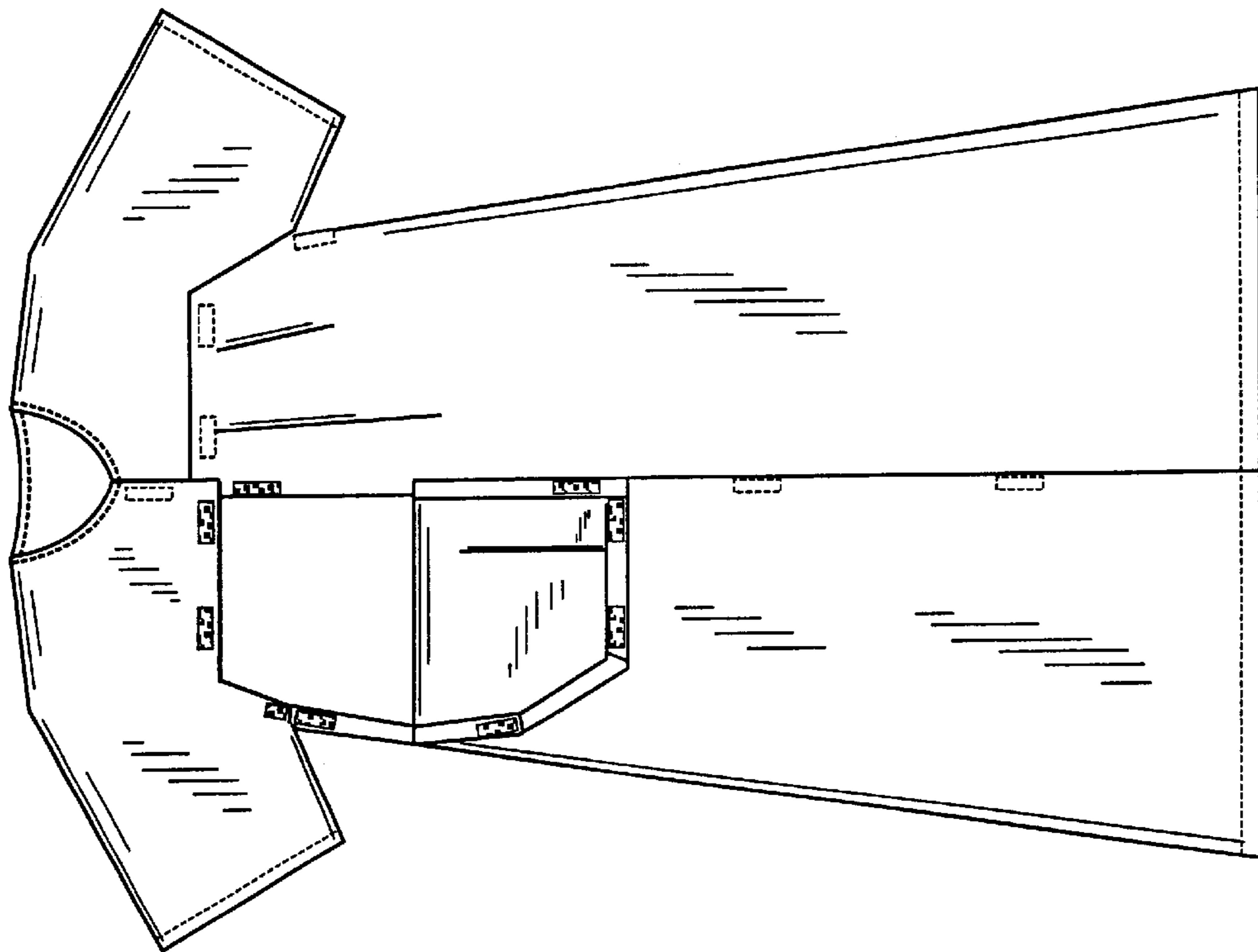


FIG. 6

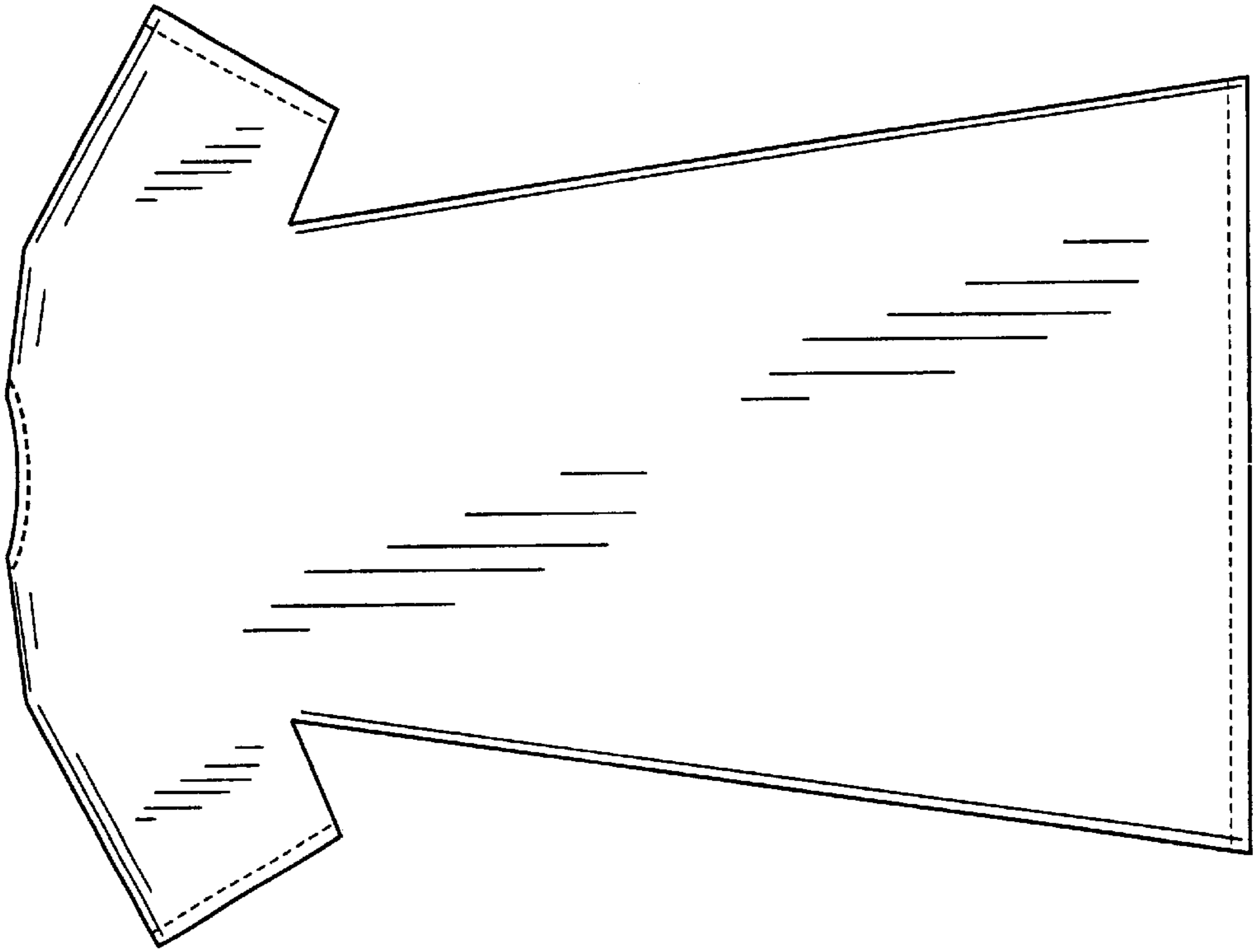


FIG. 9

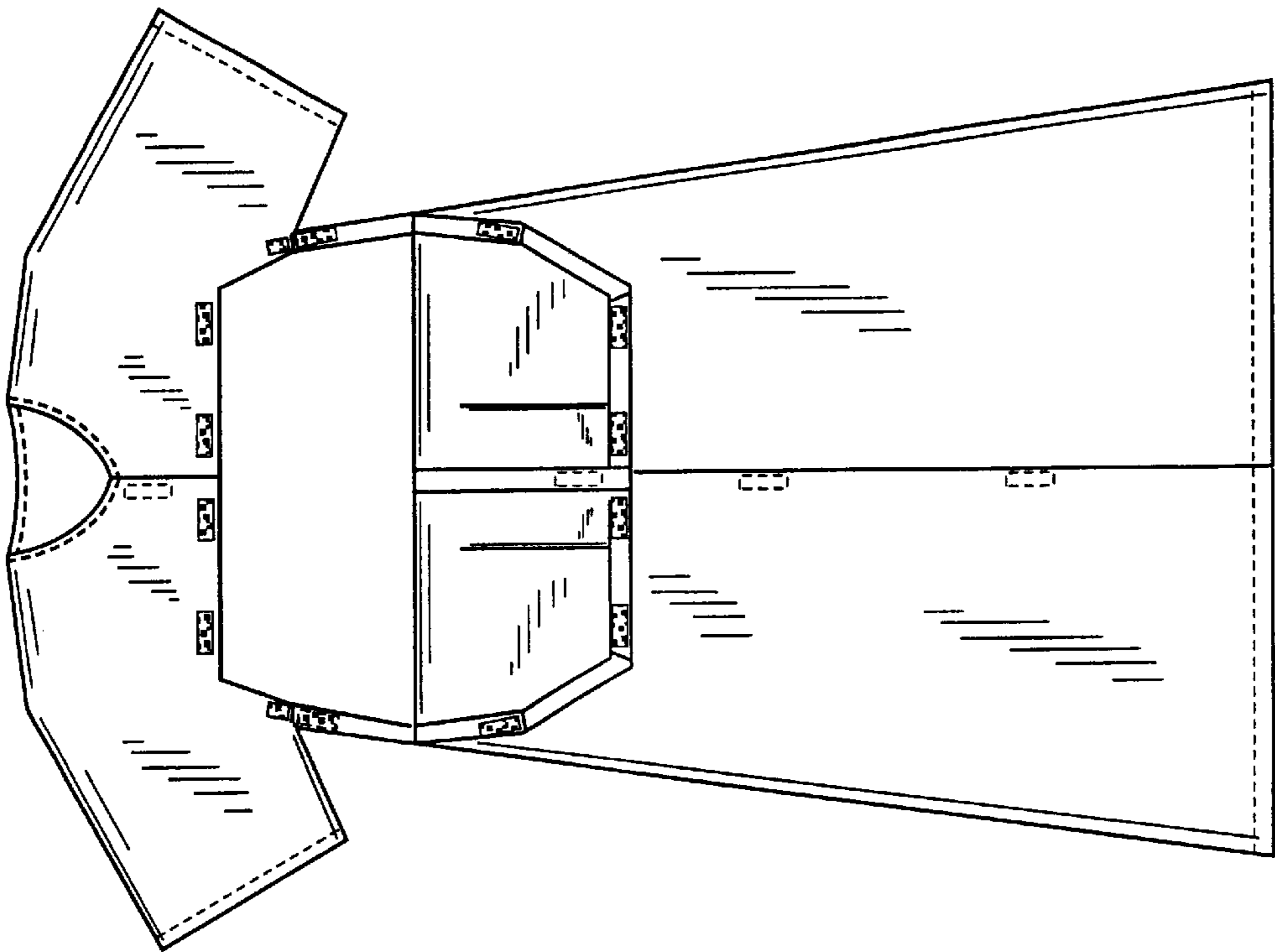


FIG. 8

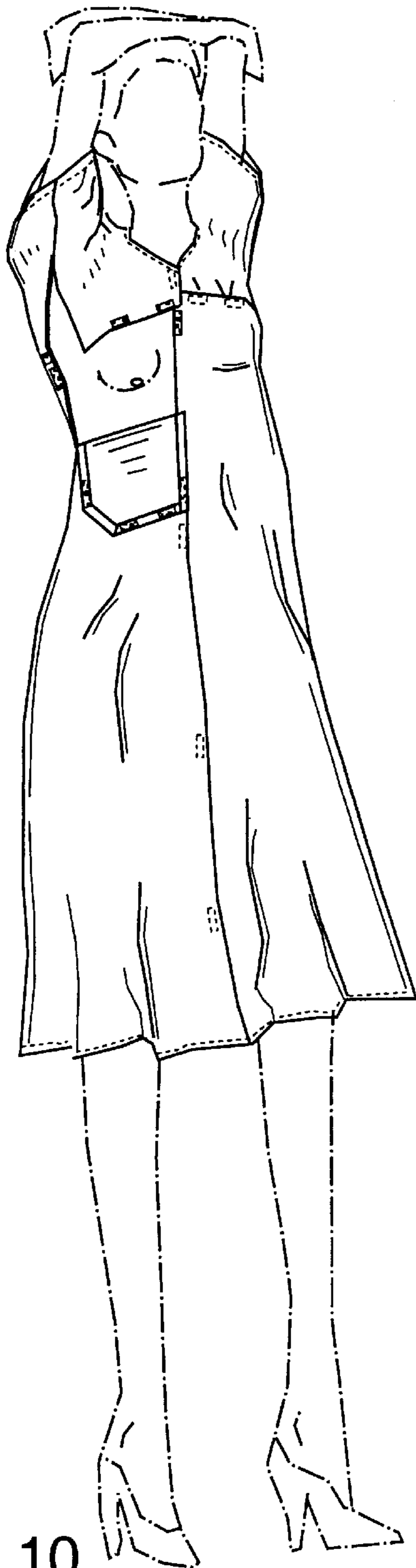


FIG. 10

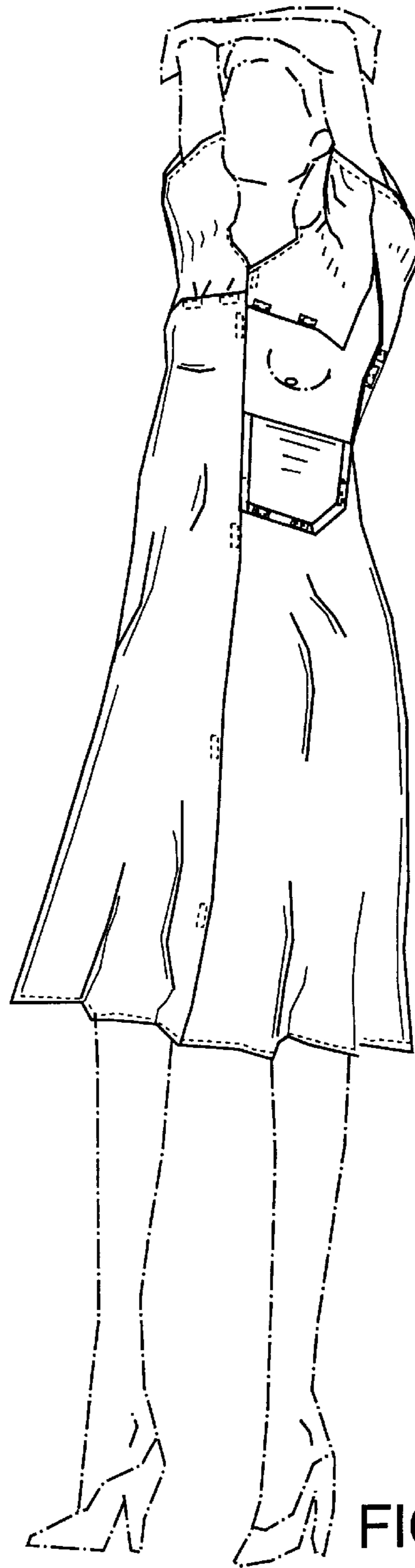


FIG. 11