



US00D478199S

(12) **United States Design Patent**
Presnell et al.

(10) **Patent No.:** **US D478,199 S**

(45) **Date of Patent:** **** Aug. 5, 2003**

(54) **HOUSEKEEPING CART**

(75) Inventors: **Donald Presnell**, Stephens City, VA (US); **David M. Dobersztyn**, Stephens City, VA (US); **Dale T. Maza**, Stephenson, VA (US)

(73) Assignee: **Rubbermaid Commercial Products LLC**, Winchester, VA (US)

(**) Term: **14 Years**

(21) Appl. No.: **29/171,403**

(22) Filed: **Nov. 22, 2002**

Related U.S. Application Data

(62) Division of application No. 29/141,842, filed on May 15, 2001.

(51) **LOC (7) Cl.** **12-02**

(52) **U.S. Cl.** **D34/20; D34/21**

(58) **Field of Search** D34/12-27; 280/79.11, 280/79.2, 79.3, 47.35, 47.34, 47.19; D6/478, 479, 481, 484, 487; 296/22; 312/249.8

(56) **References Cited**

U.S. PATENT DOCUMENTS

D137,626 S	4/1944	Adams
3,877,744 A	4/1975	Miller
D302,064 S	7/1989	Delmerico
D313,878 S	1/1991	Rinkewich
4,986,555 A	1/1991	Andreen
D324,284 S	2/1992	Welch
D349,988 S	8/1994	Green

D361,187 S	8/1995	Snell
D361,419 S	8/1995	Snell
5,566,961 A	10/1996	Snell et al.
D424,700 S	5/2000	Horton
D424,773 S	5/2000	Granberg
D425,279 S	5/2000	Houry et al.
D455,881 S	4/2002	Arvans

OTHER PUBLICATIONS

Harloff Hospitality Products Catalog HSCAT 994, pp. 1-19.
Forbes Housekeeping Carts, Forbes Catalog #60-A, pp. 1-16, 1998.

Rubbermaid Commercial Products Catalog, p. 53, 2000.

Primary Examiner—Kay H. Chin

(74) *Attorney, Agent, or Firm*—Foley & Lardner

(57) **CLAIM**

The ornamental design for a housekeeping cart, as shown and described.

DESCRIPTION

FIG. 1 is a frontal perspective view of an embodiment of a housekeeping cart according to our new design; FIG. 2 is a top view of the cart shown in FIG. 1; FIG. 3 is a bottom view of the cart shown in FIG. 1; FIG. 4 is a right side view of the cart shown in FIG. 1; FIG. 5 is left side view of the cart shown in FIG. 1; FIG. 6 is a front view of the cart shown in FIG. 1; and, FIG. 7 is a back view of the cart shown in FIG. 1.

The ornamental design which is claimed is shown in solid lines in the drawings. Any broken lines in the drawings are for illustrative purposes only and form no part of the claimed design.

1 Claim, 7 Drawing Sheets

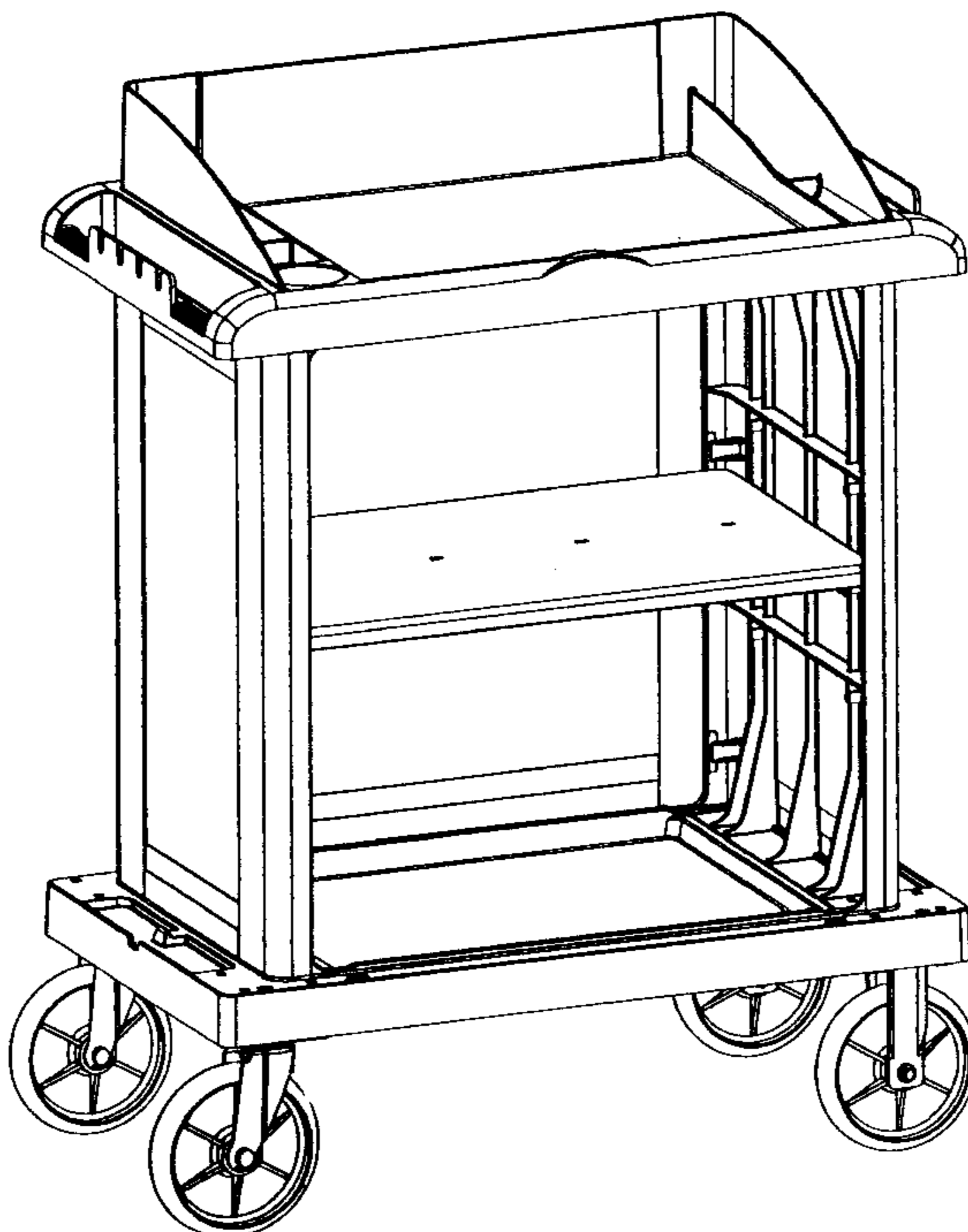


FIG. 1

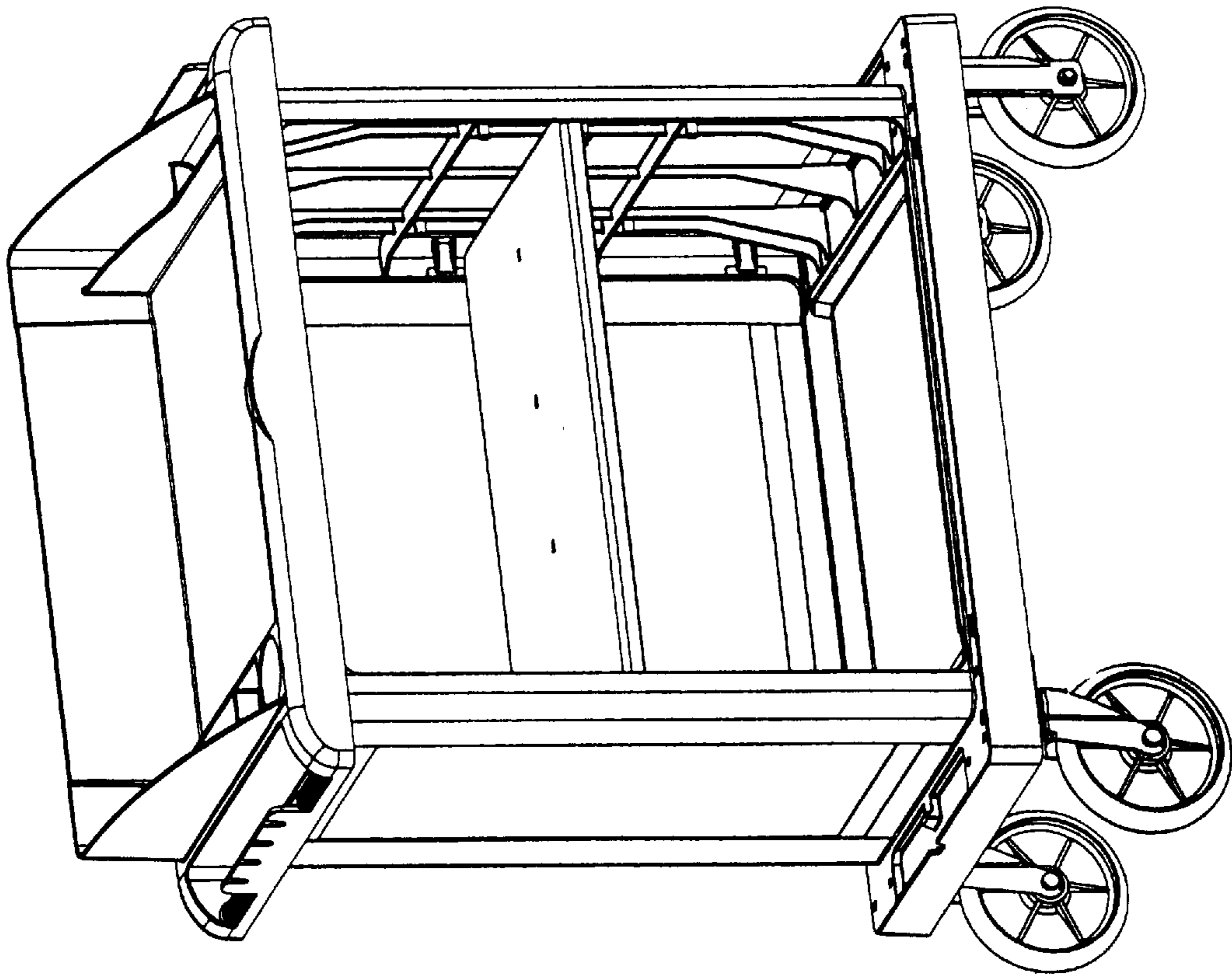


FIG. 2

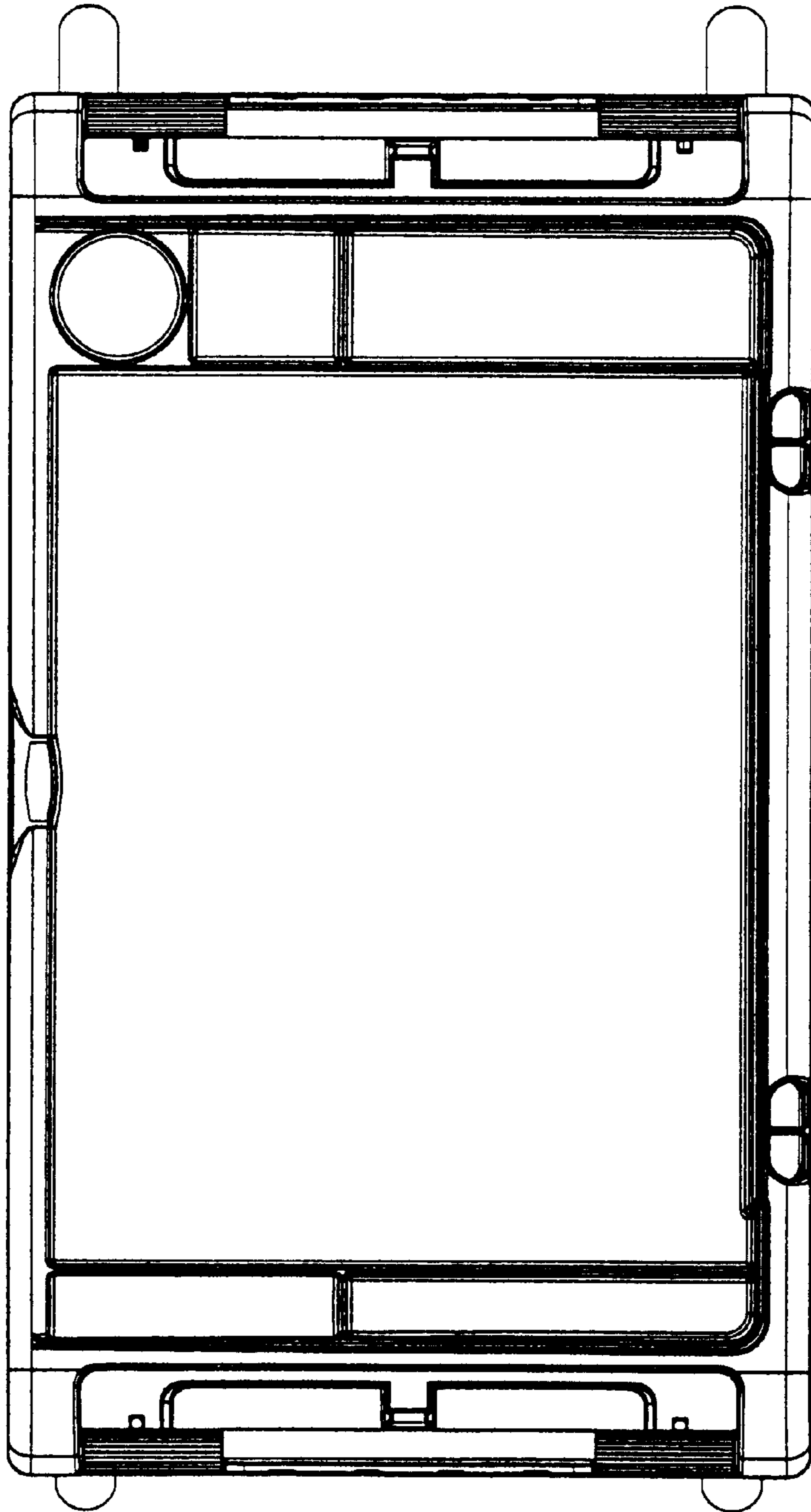
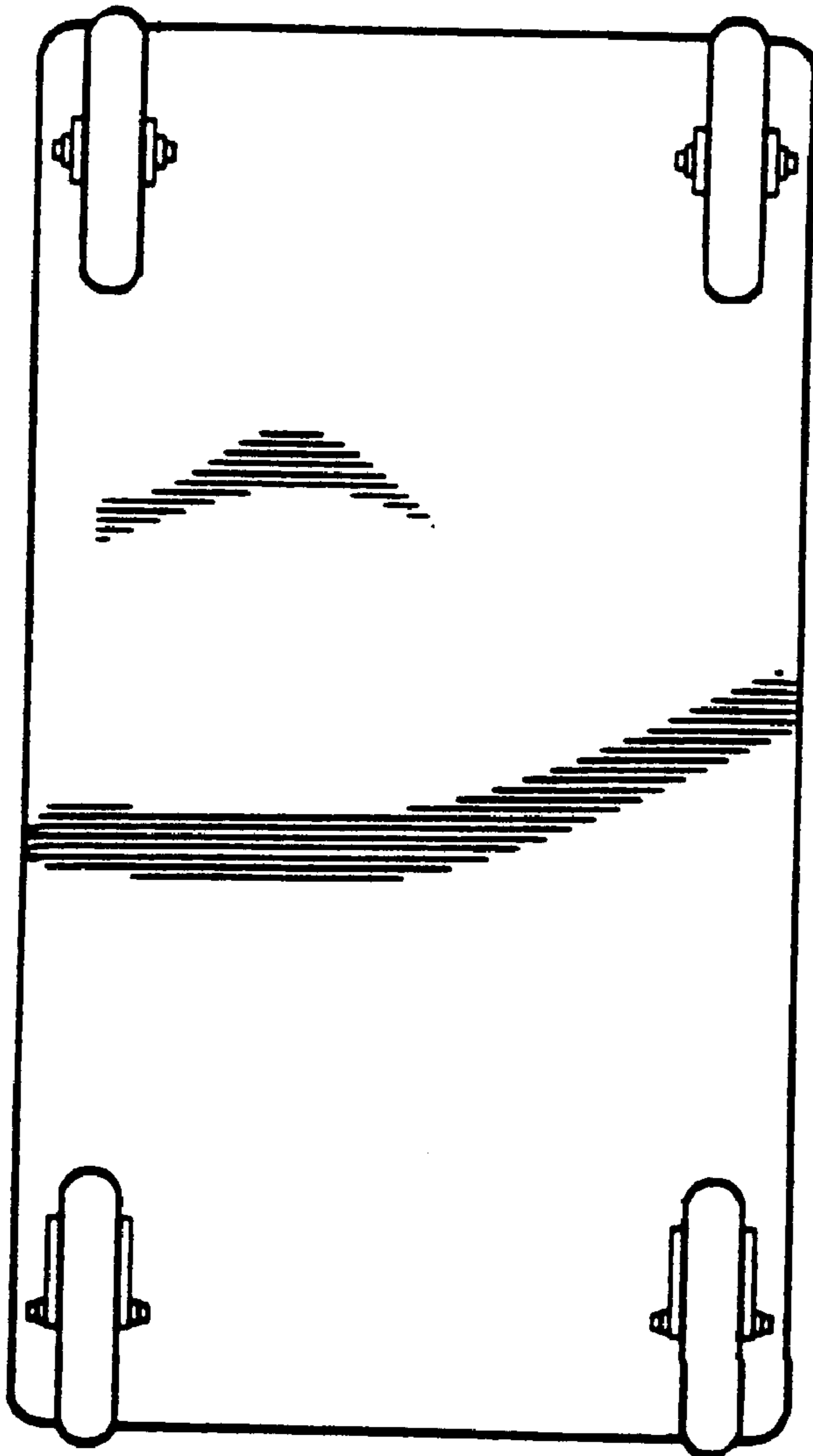


FIG. 3



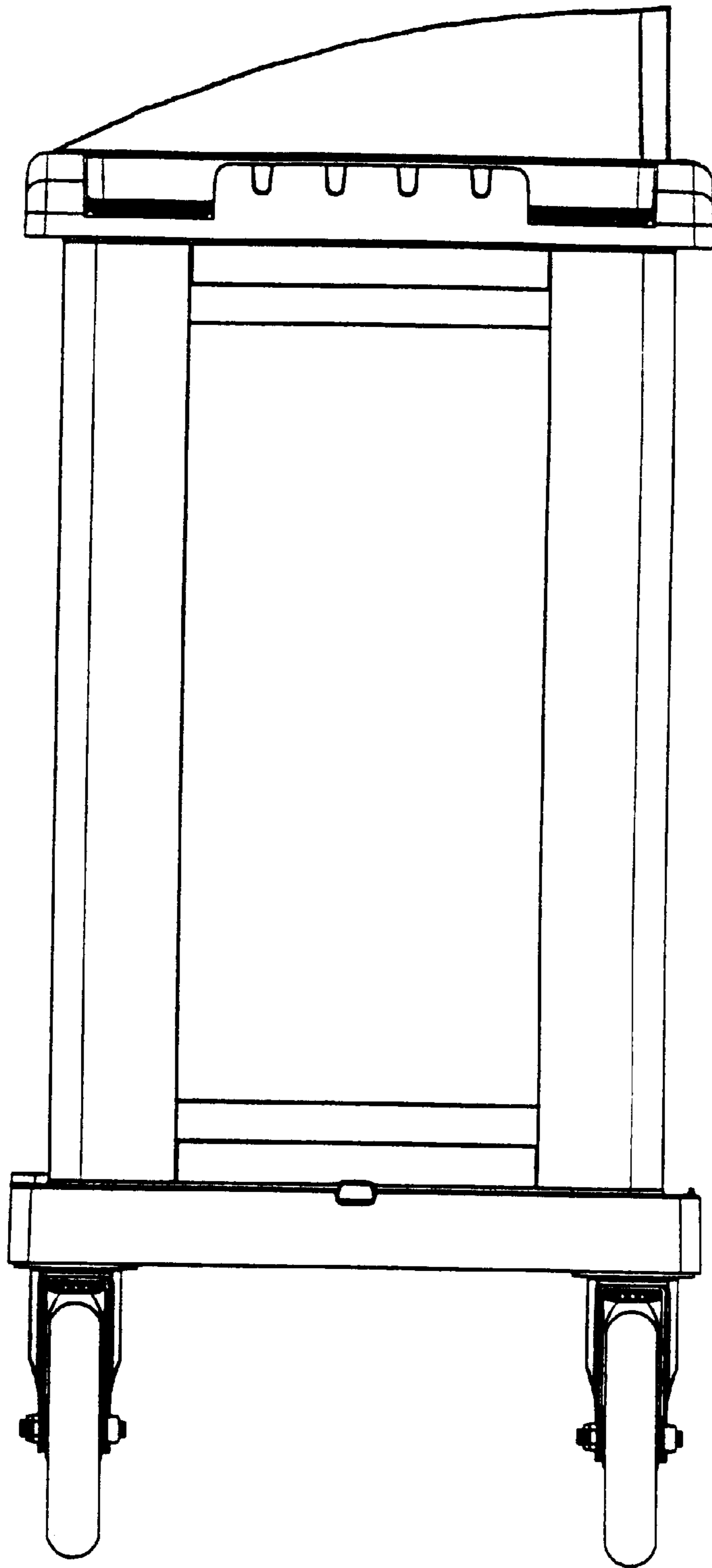


FIG. 4

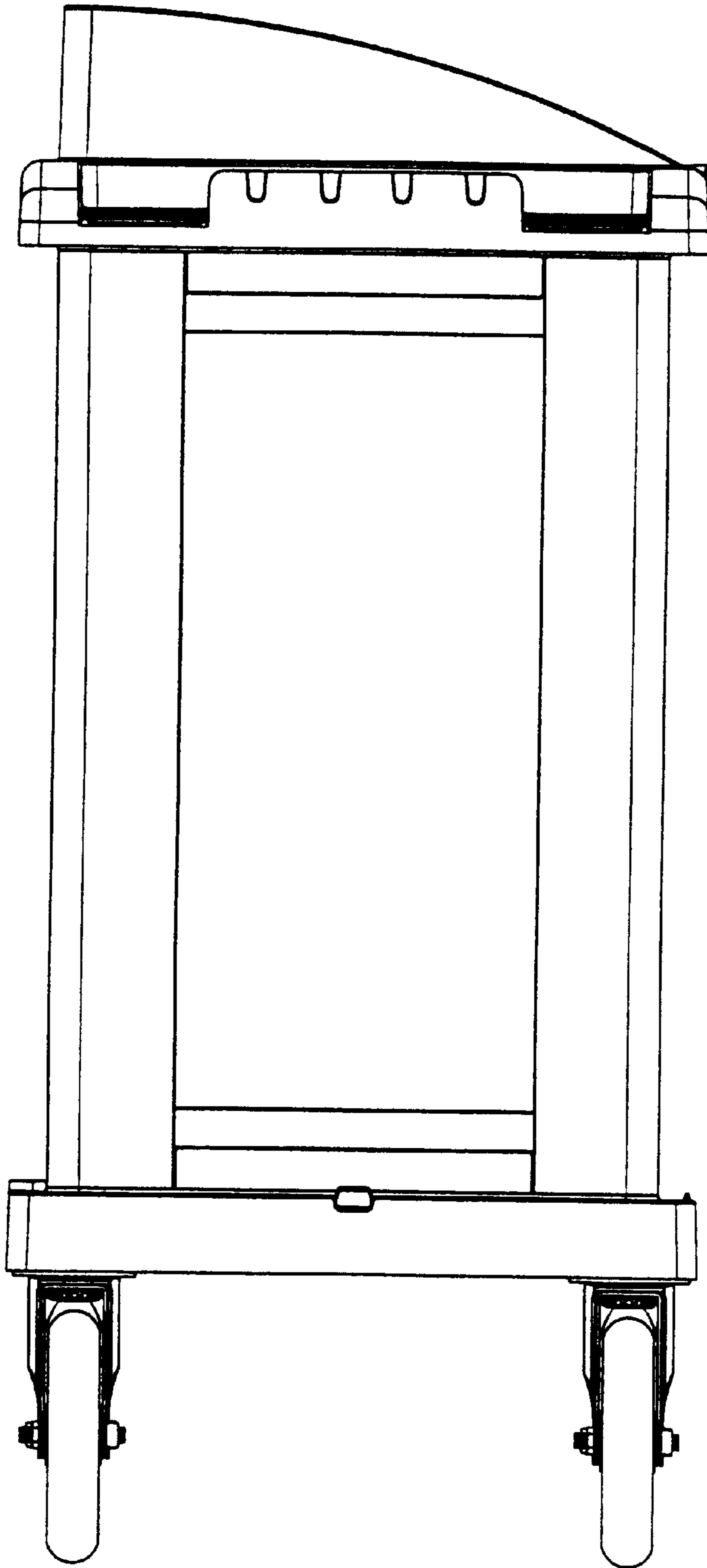


FIG. 5

FIG. 6

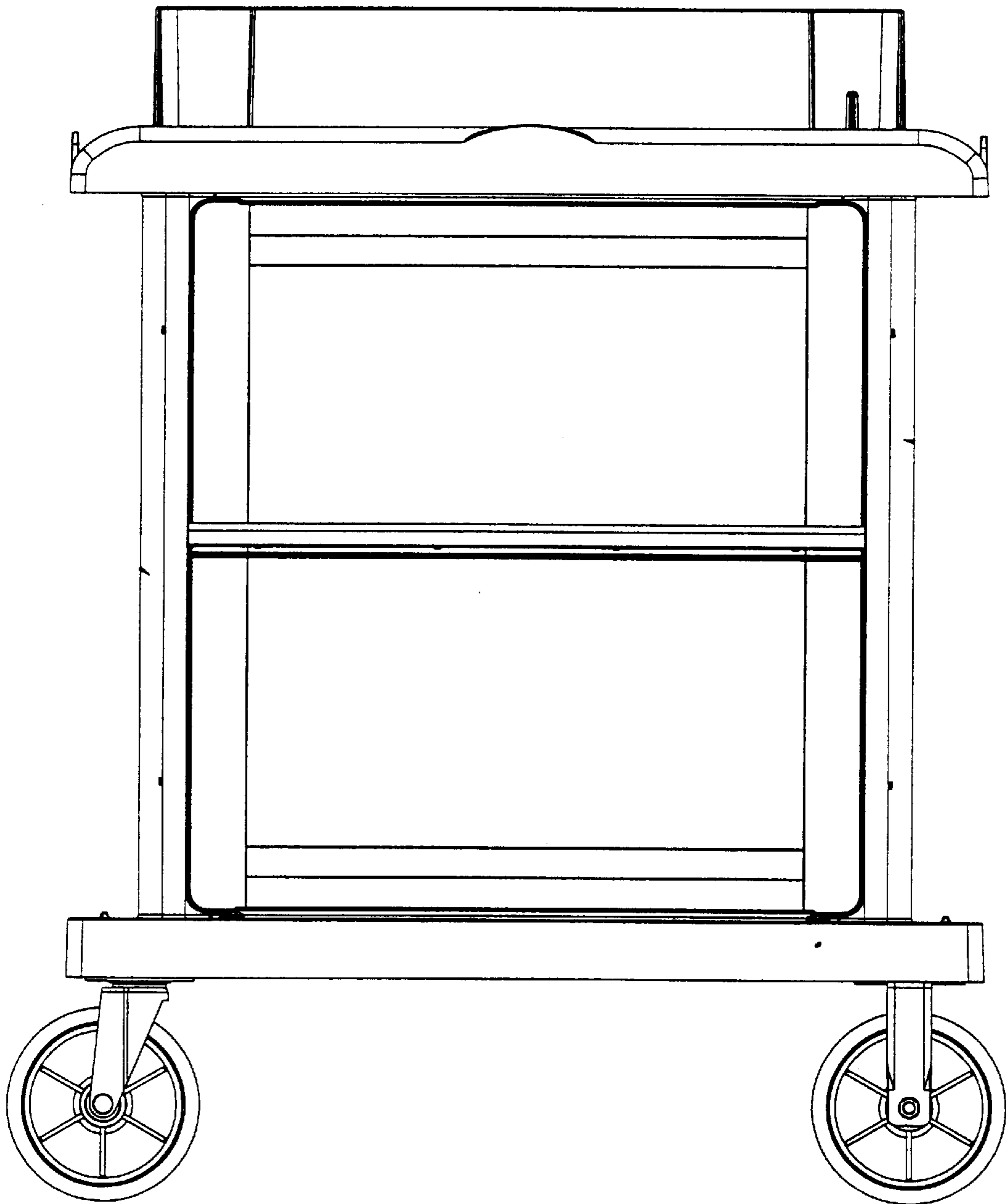


FIG. 7

