



US00D478198S

(12) **United States Design Patent**
Koppes et al.

(10) **Patent No.:** **US D478,198 S**

(45) **Date of Patent:** **** Aug. 5, 2003**

(54) **COMBINED SHOPPING CART/STROLLER**

(75) Inventors: **Dana J. Koppes**, Columbus, OH (US);
Eric J. Fickas, Powell, OH (US);
Vincent A. Gioia, Westmont, IL (US);
Rodger Hays, Columbus, OH (US);
Joni Hill, Bartlett, IL (US); **Paul P.**
Kolada, Bexley, OH (US); **Thomas P.**
Martini, Gahanna, OH (US); **Jon M.**
Provencher, Geneva, IL (US); **Kevin J.**
Vititoe, Columbus, OH (US)

(73) Assignee: **Ohio Steel Industries, Inc.**, Columbus,
OH (US)

(**) Term: **14 Years**

(21) Appl. No.: **29/163,869**

(22) Filed: **Jul. 12, 2002**

Related U.S. Application Data

(62) Division of application No. 29/128,178, filed on Aug. 10,
2000.

(51) **LOC (7) Cl.** **12-02**

(52) **U.S. Cl.** **D34/17; D12/129; D34/12**

(58) **Field of Search** **D34/12-27; D12/128-133;**
280/33.991-33.998; 297/5, 6

(56) **References Cited**

U.S. PATENT DOCUMENTS

951,553 A	3/1910	Williams et al.
1,563,152 A	11/1925	Bowen
2,429,034 A	10/1947	Smith et al.
D148,128 S	12/1947	Brottman
2,443,236 A	6/1948	Gallagher
2,450,062 A	9/1948	Voss et al.
2,615,726 A	10/1952	Brottman
2,683,480 A	7/1954	Kosman
2,769,482 A	11/1956	Carlson
3,048,420 A	8/1962	Umanoff
D196,836 S	11/1963	Berger
3,486,185 A	12/1969	Lange
3,497,234 A	2/1970	Schray

3,612,603 A	10/1971	Snyder et al.
3,726,536 A	4/1973	Arino
3,774,929 A	11/1973	Stanley
4,403,807 A	9/1983	Wilkinson et al.
4,555,123 A	11/1985	Rehrig
4,560,096 A	12/1985	Lucas et al.
4,583,758 A	4/1986	Runion et al.
4,598,945 A	7/1986	Hopkins
4,685,688 A	8/1987	Edwards
4,763,919 A	8/1988	Nakao et al.
4,765,644 A	8/1988	Bell
4,861,105 A	8/1989	Merten et al.
4,877,289 A	10/1989	Herrera
4,923,208 A	5/1990	Takahashi et al.
4,953,887 A	9/1990	Takahashi et al.
4,958,887 A	9/1990	Meeker
4,984,813 A	1/1991	Takahashi et al.
5,018,754 A	5/1991	Cheng
D318,550 S	7/1991	Stefano
5,125,674 A	6/1992	Manuszak
5,203,578 A	4/1993	Davidson et al.
5,238,293 A	8/1993	Gibson
5,263,726 A	11/1993	Wood

(List continued on next page.)

Primary Examiner—Kay H. Chin

(74) *Attorney, Agent, or Firm*—Michael Best & Friedrich
LLP

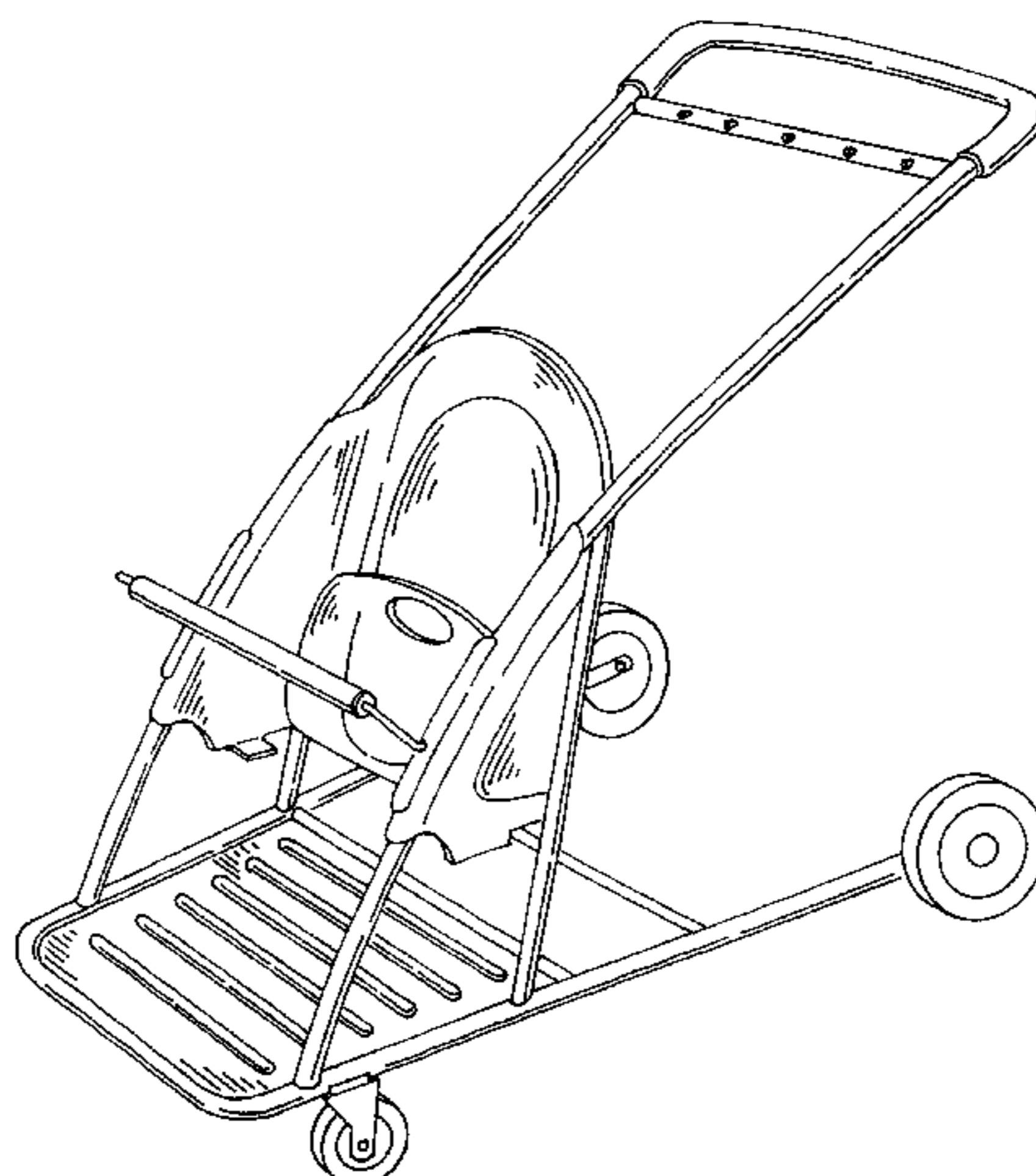
(57) **CLAIM**

The ornamental design for a combined shopping cart/
stroller, as shown and described.

DESCRIPTION

FIG. 1 is a front perspective view of a combined shopping
cart/stroller showing our new design;
FIG. 2 is a side elevation view thereof;
FIG. 3 is a top plan view thereof;
FIG. 4 is a front elevation view thereof;
FIG. 5 is a rear elevation view thereof; and,
FIG. 6 is another perspective view thereof; the broken lines
are for illustrative purposes only and form no part of the
claimed design.

1 Claim, 5 Drawing Sheets



US D478,198 S

Page 2

U.S. PATENT DOCUMENTS

5,277,473 A	1/1994	Kelly et al.	5,553,877 A	9/1996	Huang
5,290,049 A	3/1994	Crisp et al.	D377,255 S	1/1997	Rehrig
5,354,079 A	10/1994	Hettenbach	5,595,394 A	1/1997	Adamson
5,417,449 A	5/1995	Shamie	D386,873 S	11/1997	Langlois D'Estaintot et al.
D360,392 S	7/1995	Lewandowski	5,715,571 A	2/1998	Fasano
D363,589 S	10/1995	Laffleur et al.	5,722,594 A	3/1998	Farr et al.
D366,546 S	1/1996	Schaub et al.	5,820,142 A	10/1998	Duer
5,494,308 A	2/1996	Southerland	5,887,888 A	3/1999	Tseng
5,531,238 A	7/1996	Azzarelli et al.	5,938,091 A	8/1999	Bergin et al.
5,544,904 A	8/1996	Maher	5,961,018 A	10/1999	Abelbeck et al.
5,553,876 A	9/1996	Trubiano	5,961,133 A	10/1999	Perry
			5,988,670 A	11/1999	Song et al.
			6,003,894 A	12/1999	Maher

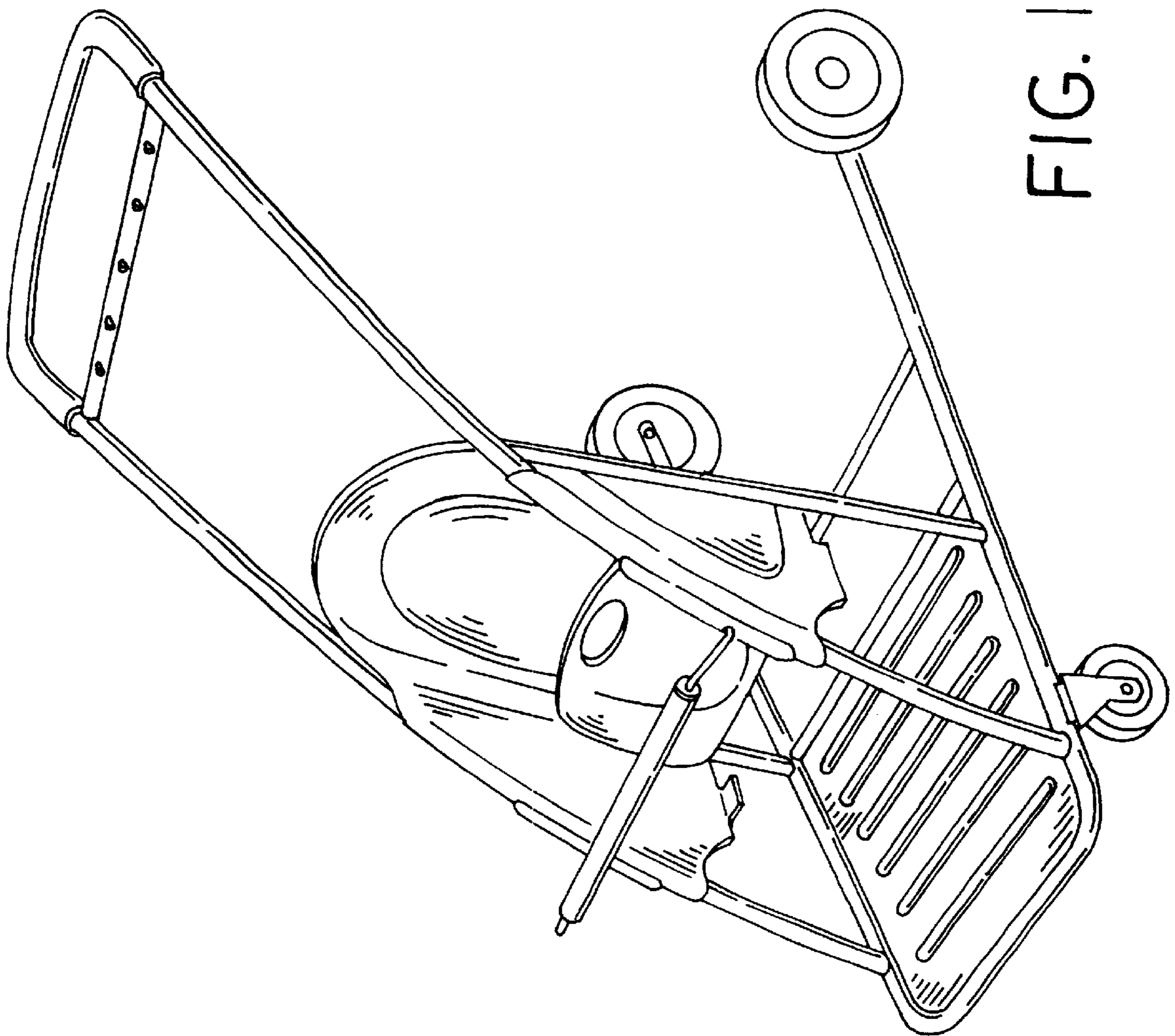
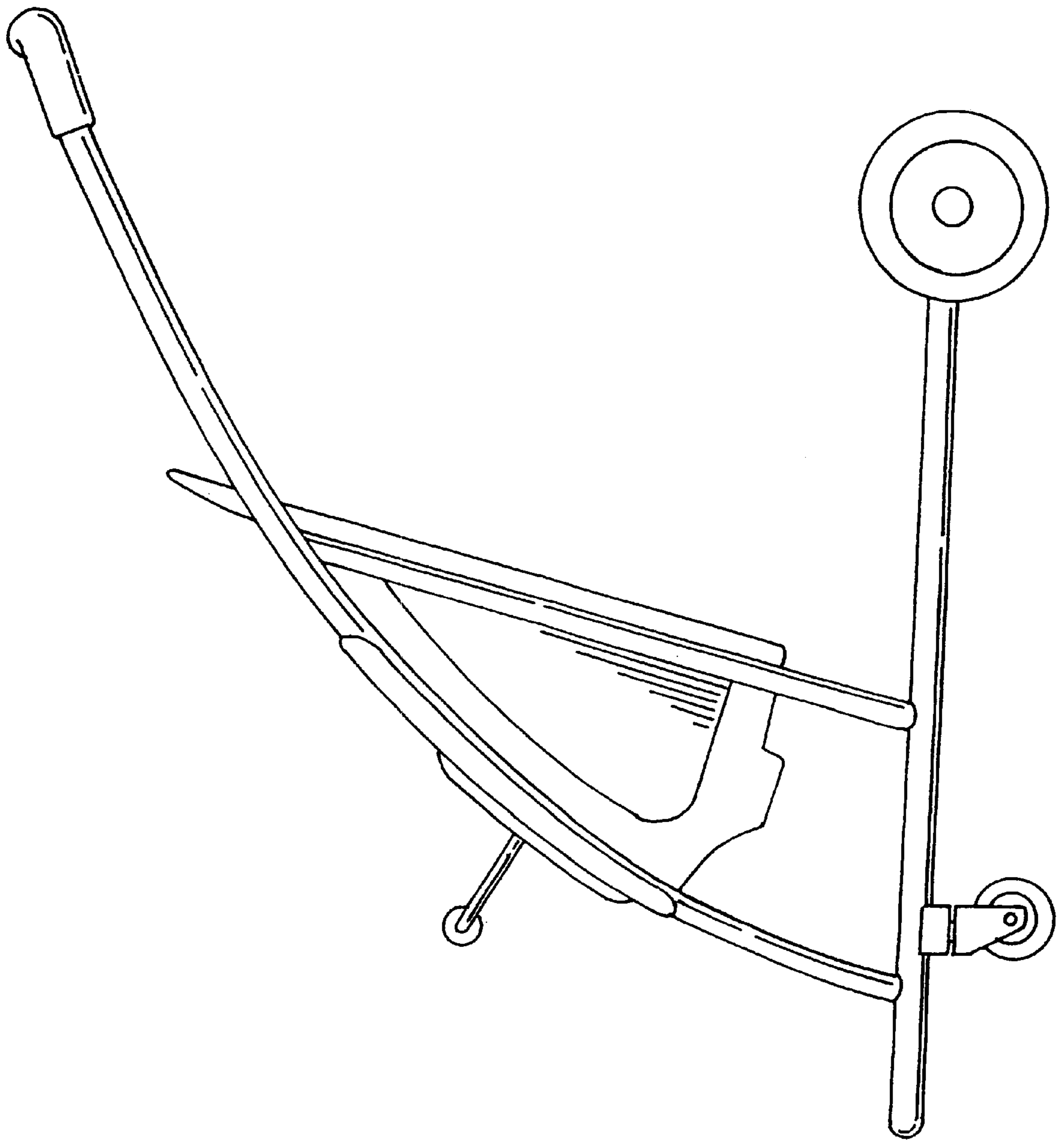


FIG. 1

FIG. 2



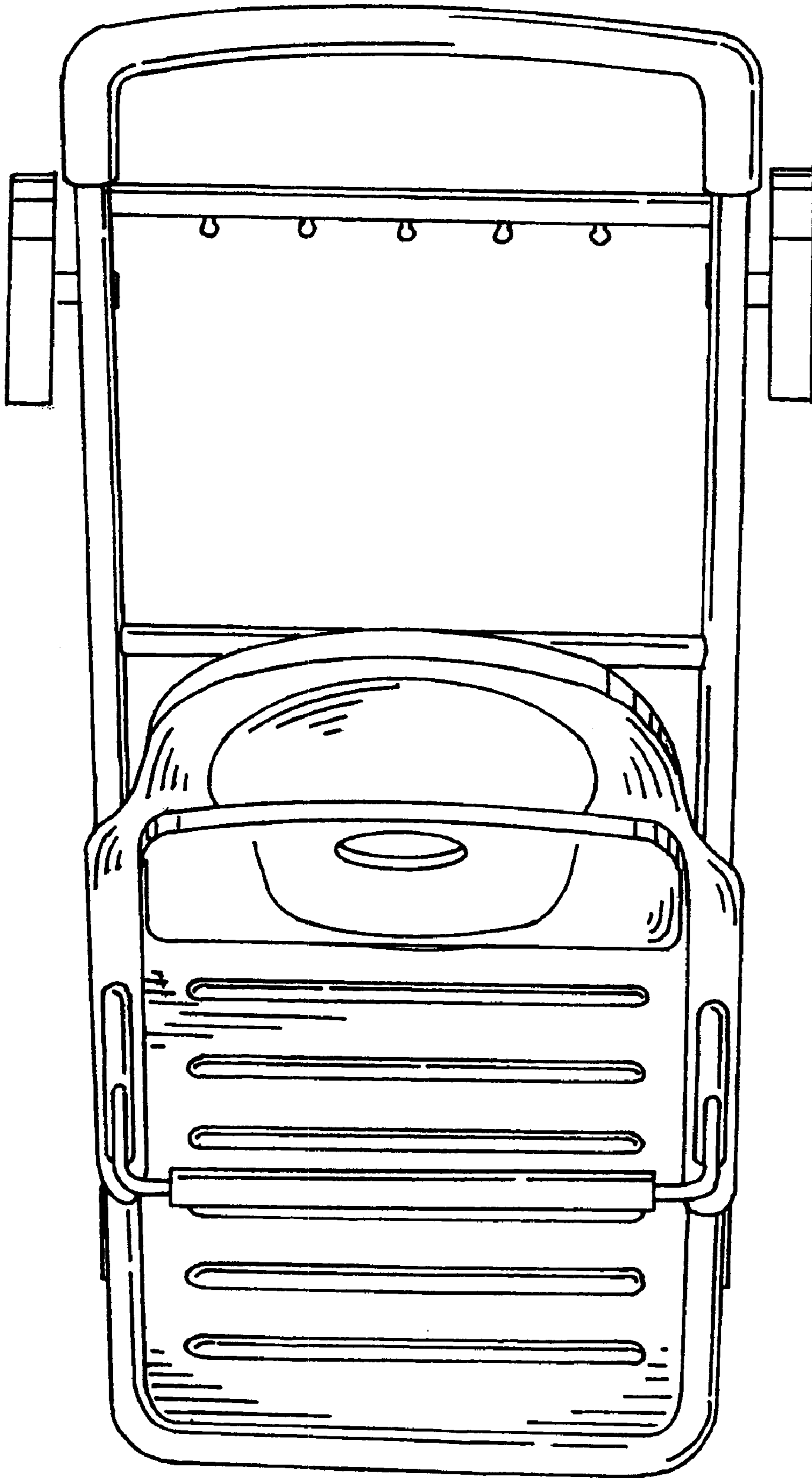


FIG. 3

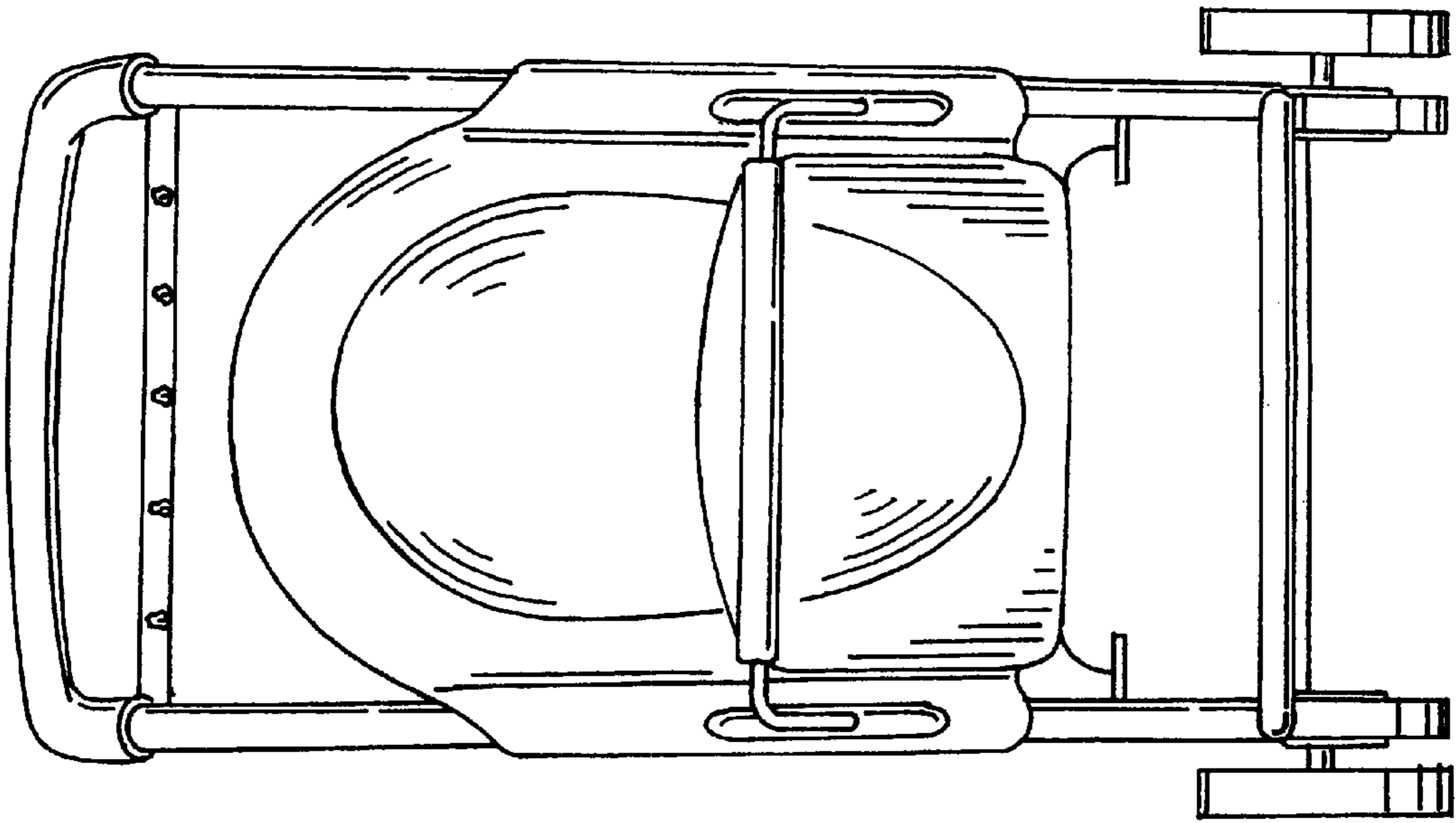


FIG. 4

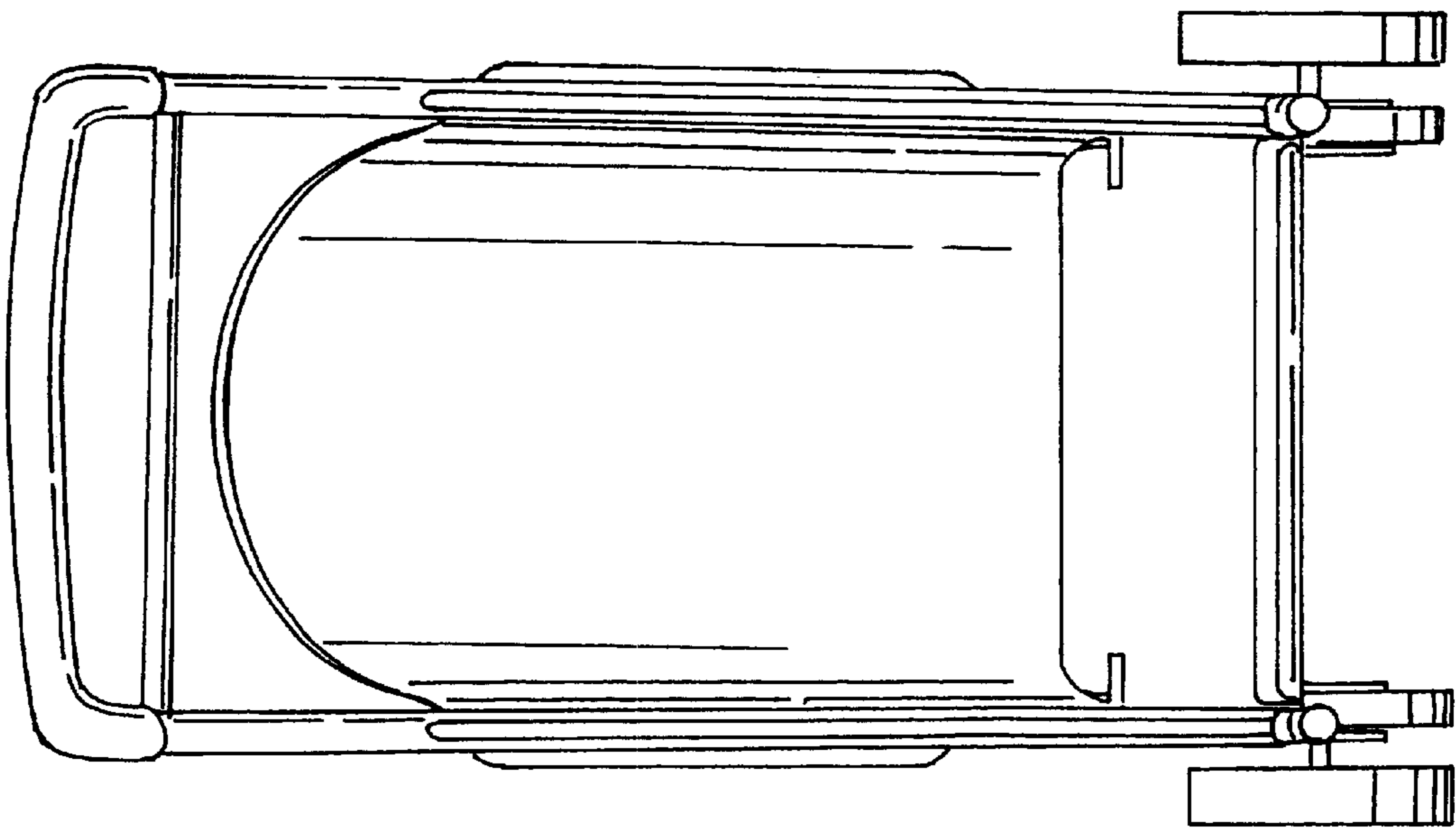


FIG. 5

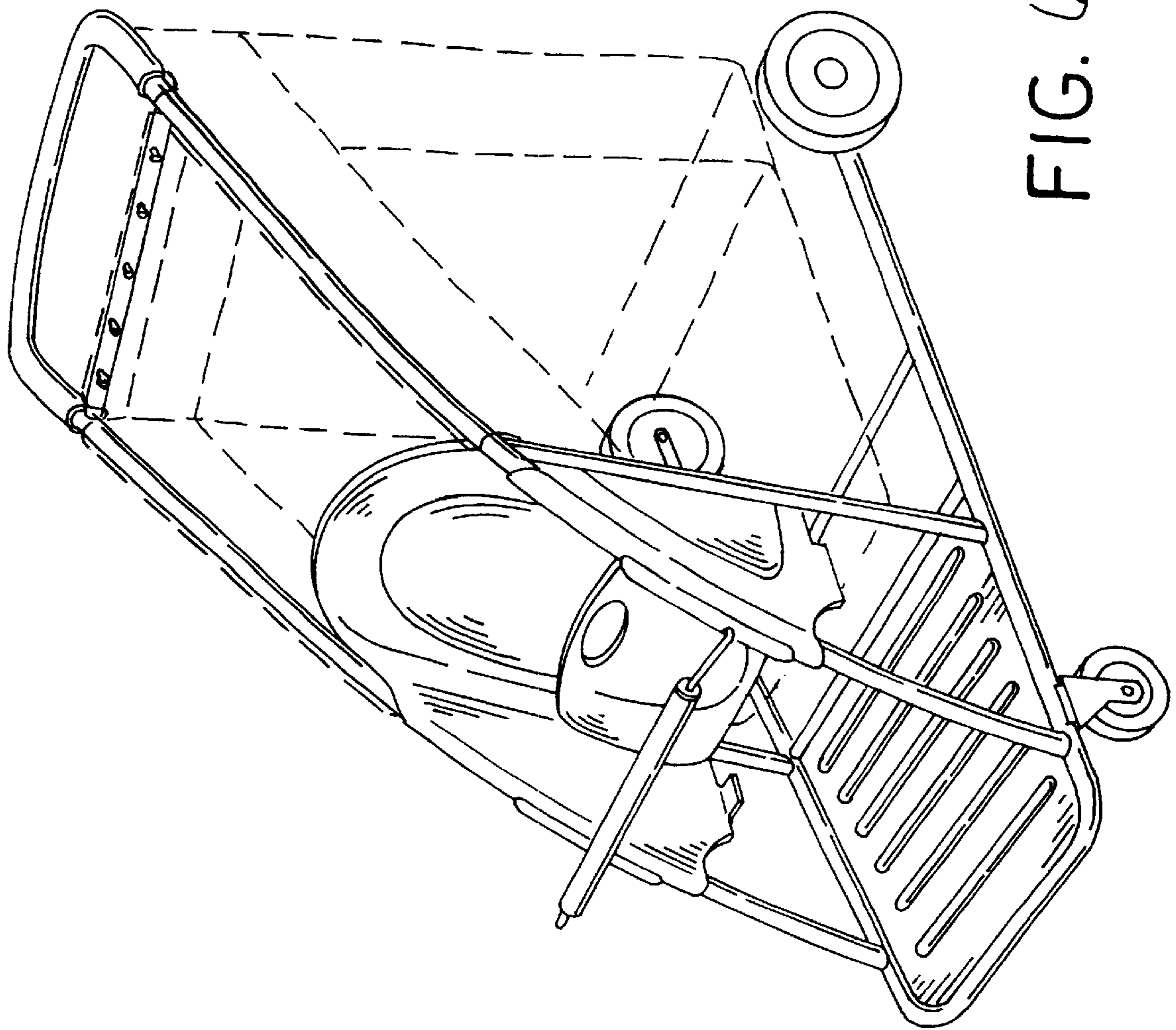


FIG. 6