



US00D478197S

(12) **United States Design Patent**
Raghunathan

(10) **Patent No.:** **US D478,197 S**

(45) **Date of Patent:** **** Aug. 5, 2003**

(54) **REFUSE CONTAINER**

(76) Inventor: **Narayan Raghunathan**, 39 Westmore Drive, Rexdale, Ontario (CA), M9V 3Y6

(**) Term: **14 Years**

(21) Appl. No.: **29/162,463**

(22) Filed: **Jun. 18, 2002**

(51) **LOC (7) Cl.** **09-09**

(52) **U.S. Cl.** **D34/5**

(58) **Field of Search** D34/1, 5, 6, 7, D34/10, 11; 220/908, 908.1, 909, 910, 911, 675; 280/47.26

(56) **References Cited**

U.S. PATENT DOCUMENTS

D291,738 S	*	9/1987	Orlowski	D34/5
D323,912 S	*	2/1992	Delmerico	D34/5
D345,837 S	*	4/1994	Bean	D34/5
D347,095 S	*	5/1994	Apps et al.	D34/5
D355,741 S	*	2/1995	Craft et al.	D34/5
D365,428 S	*	12/1995	Prout et al.	D34/5
D388,577 S	*	12/1997	Rehrig et al.	D34/5
D398,120 S	*	9/1998	Rehrig et al.	D34/5
D401,727 S	*	11/1998	Weiderman et al.	D34/5
D416,367 S	*	11/1999	Dickinson et al.	D34/5

D445,228 S	*	7/2001	Apps et al.	D34/5
D471,336 S	*	3/2003	Tuduri	D34/5
D471,685 S	*	3/2003	Taylor et al.	D34/5

* cited by examiner

Primary Examiner—Cynthia E. Ramirez
(74) *Attorney, Agent, or Firm*—Gowling Lafleur Henderson LLP

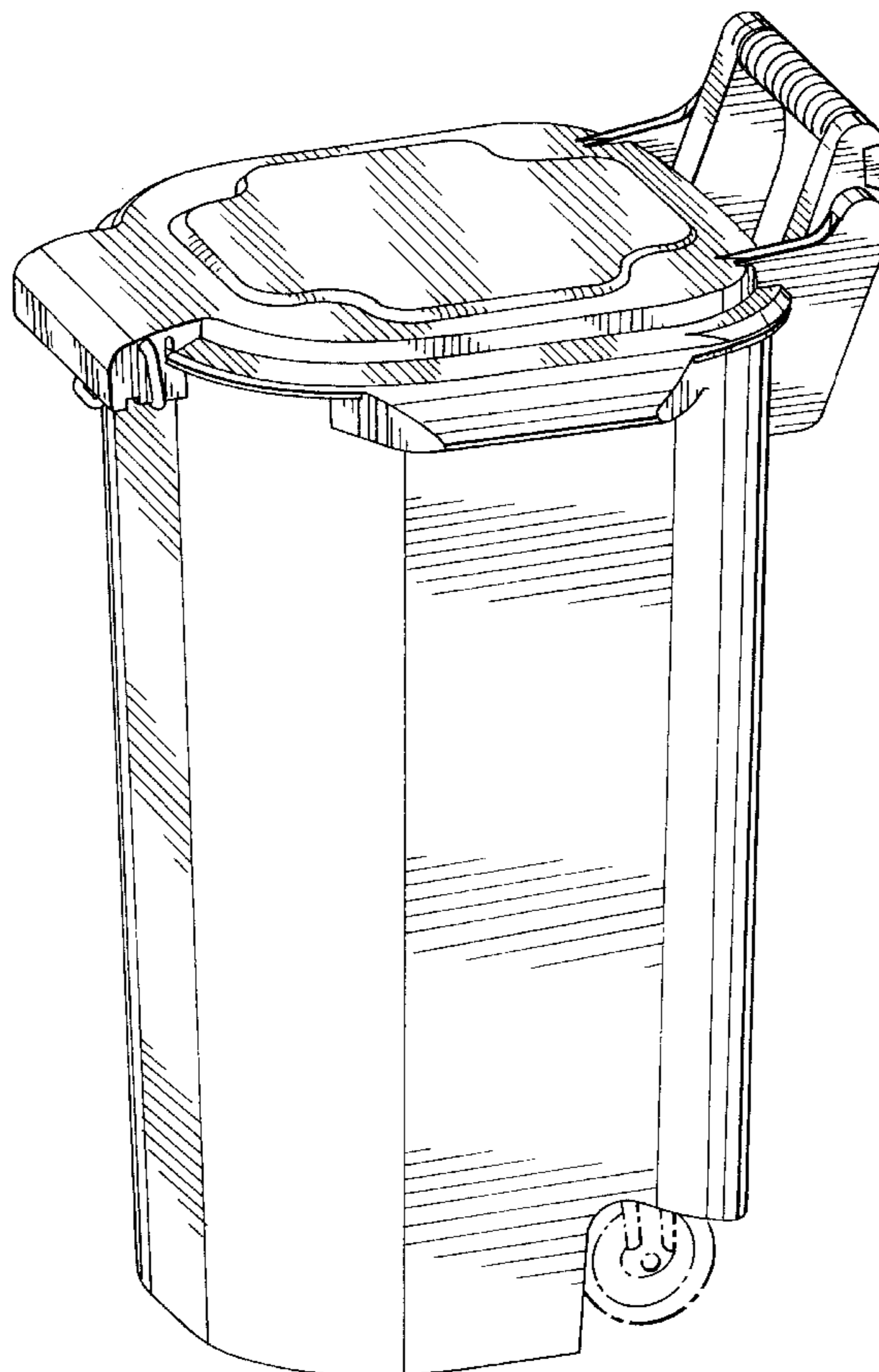
(57) **CLAIM**

The ornamental design for a refuse container, as shown and described.

DESCRIPTION

FIG. 1 is a perspective view of the refuse container; FIG. 2 is a front elevation view of the refuse container shown in FIG. 1; FIG. 3 is a side elevation view of the refuse container shown in FIG. 1, the opposite side elevation view being a mirror image thereof; FIG. 4 is a rear elevation view of the refuse container shown in FIG. 1; and, FIG. 5 is a top plan view of the refuse container shown in FIG. 1.
The broken line showing of wheels in FIGS. 1, 3 and 4 is for illustrative purposes only and forms no part of the claimed design.

1 Claim, 5 Drawing Sheets



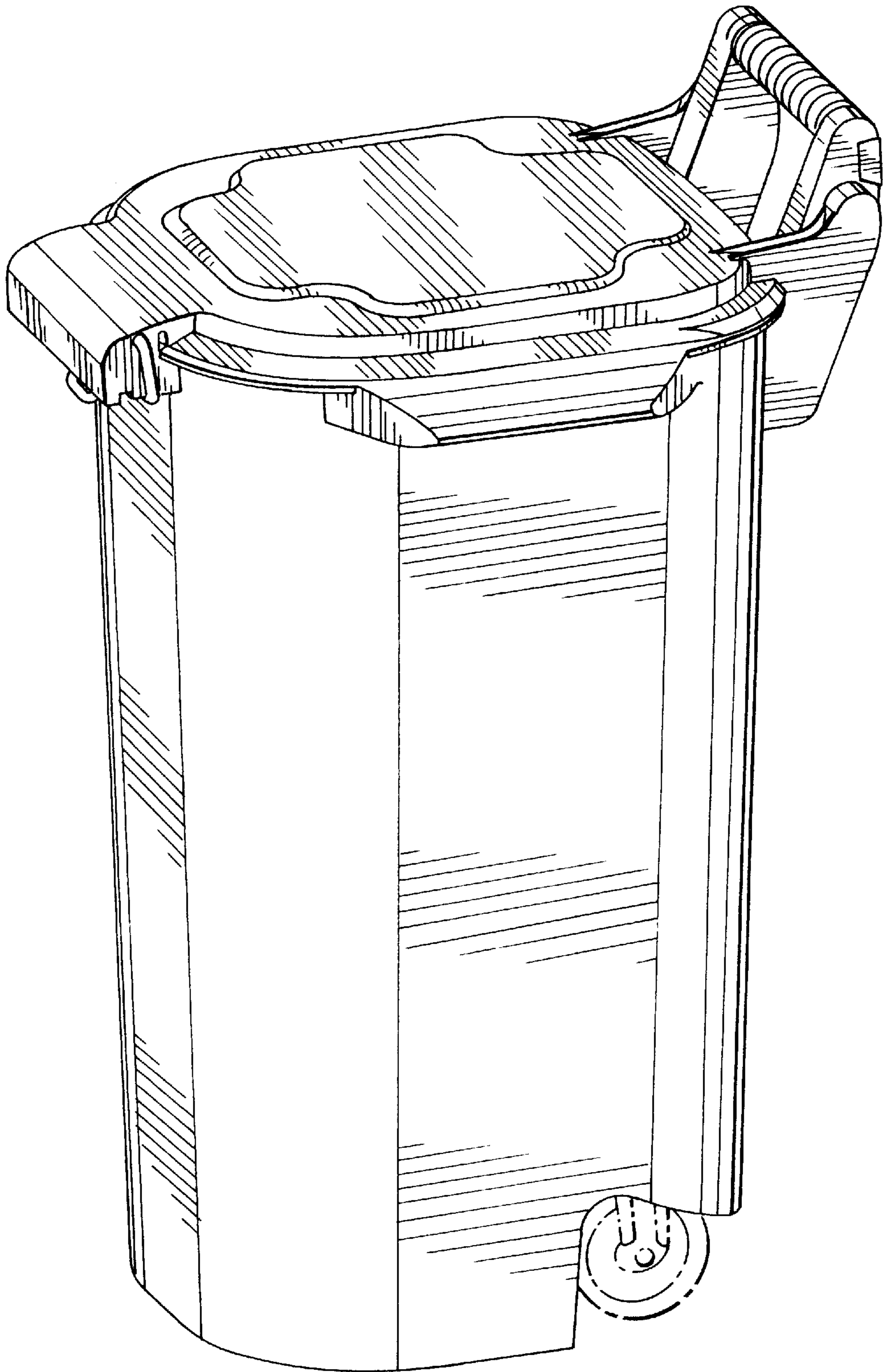


FIG. 1

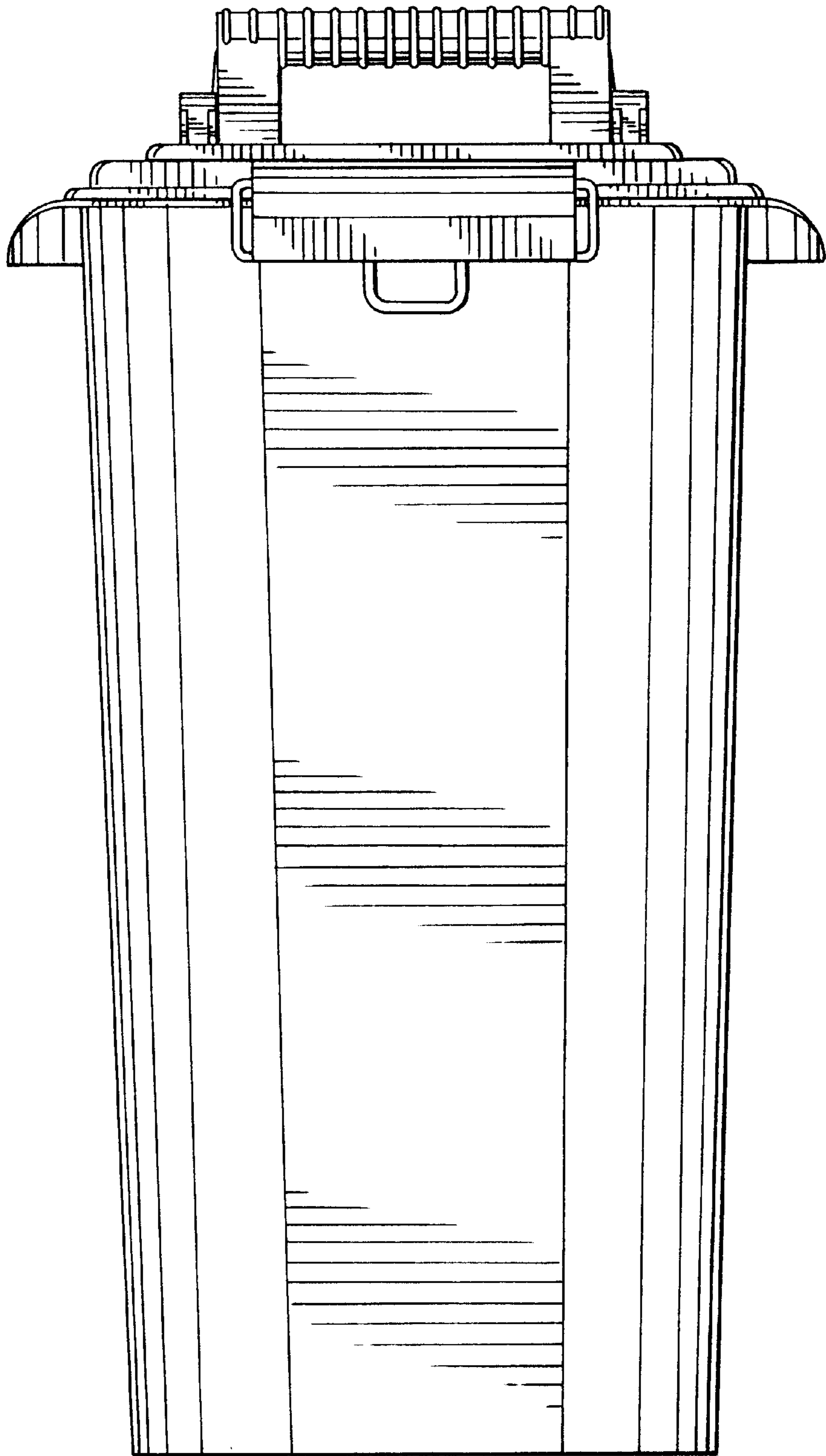


FIG. 2

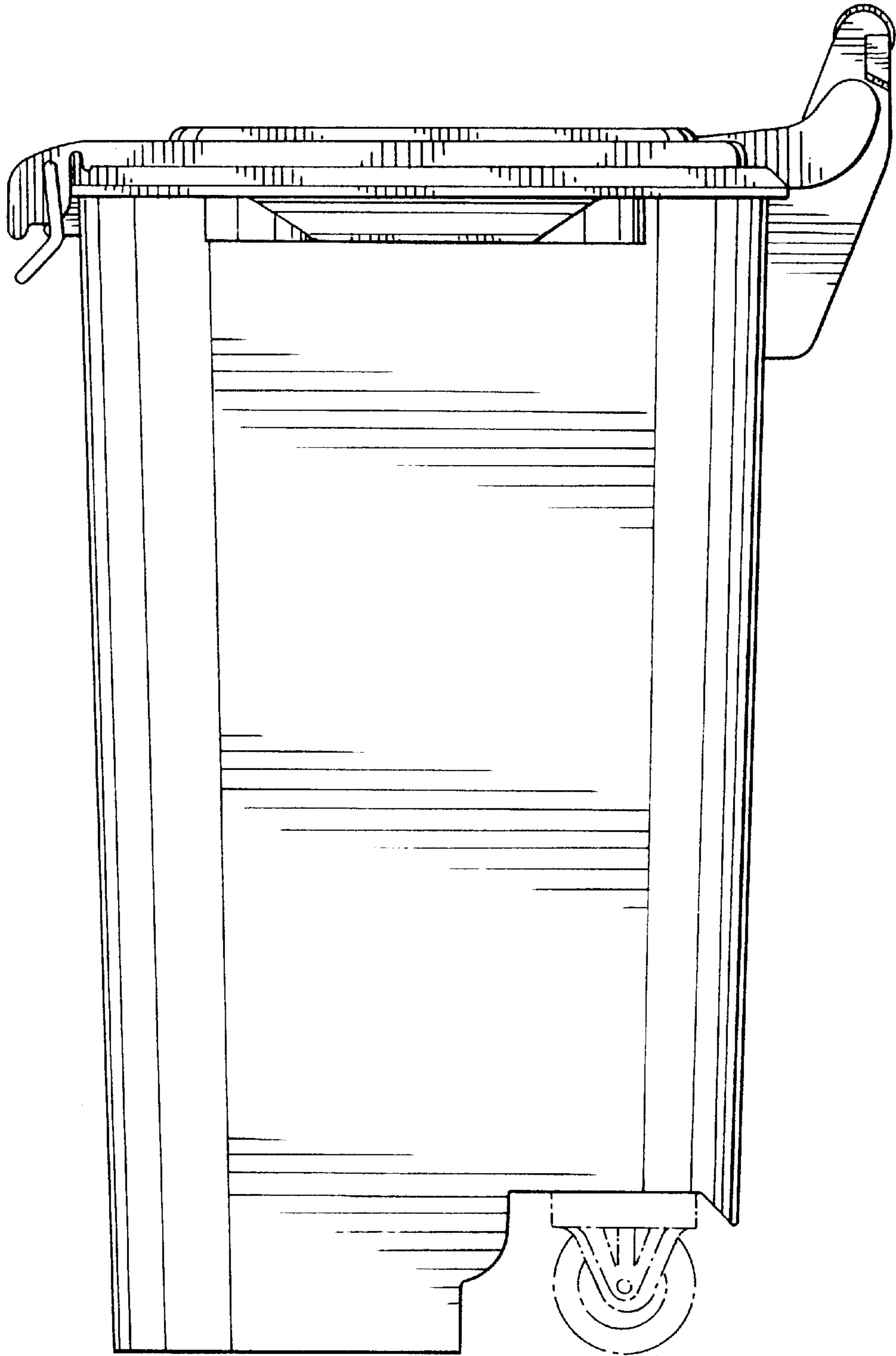


FIG. 3

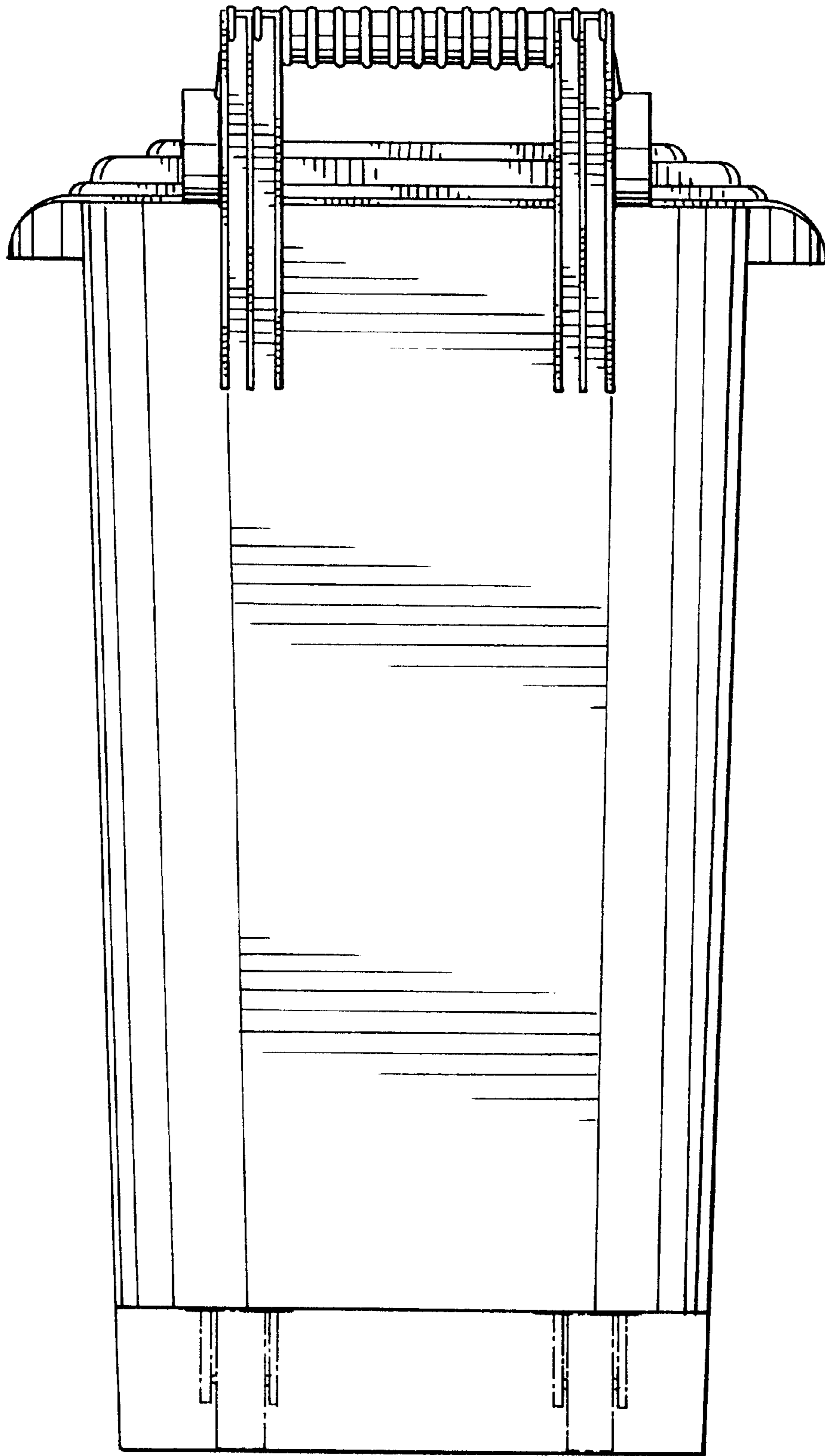


FIG. 4

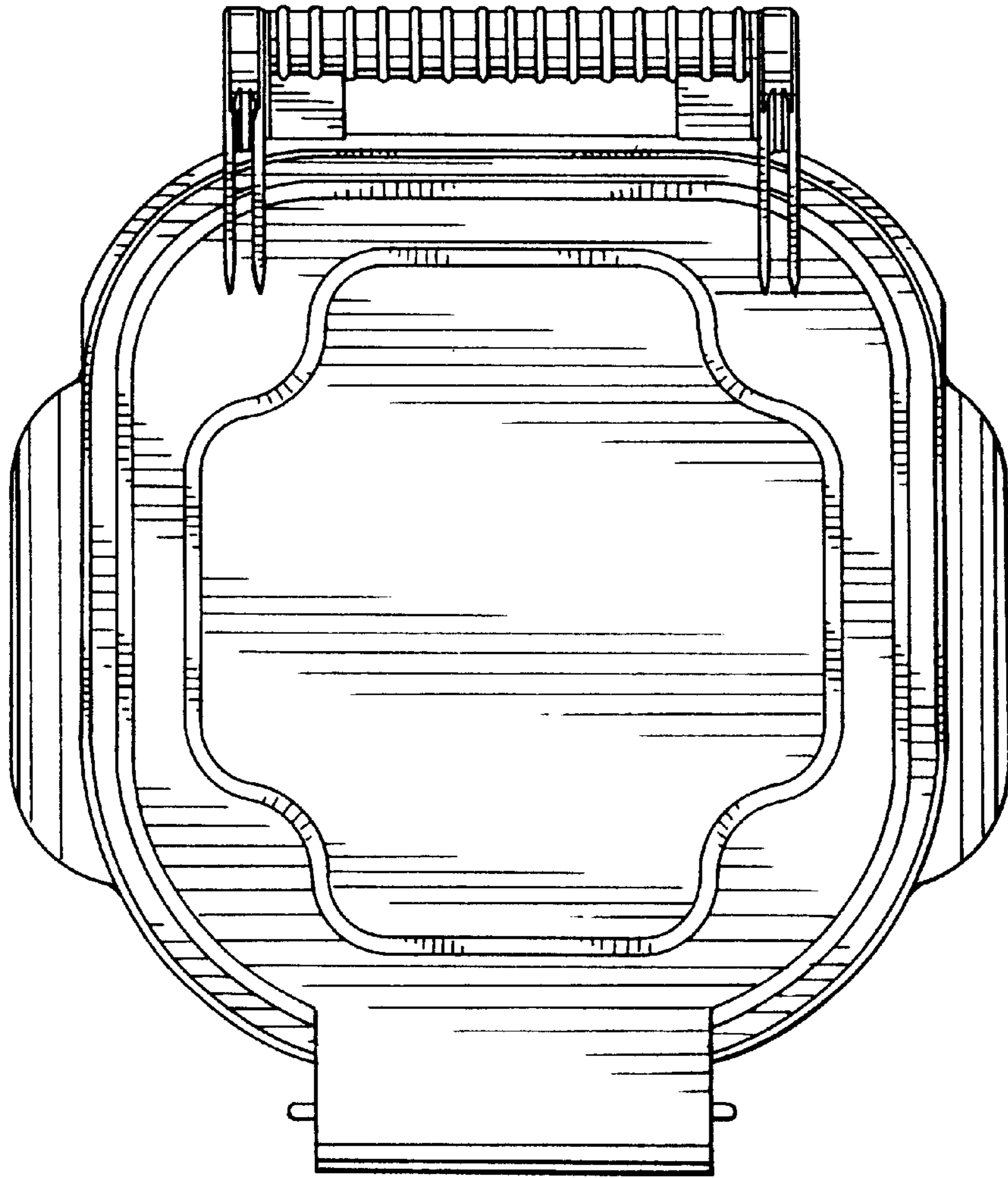


FIG. 5