



US00D478195S

(12) **United States Design Patent**
McGinty

(10) **Patent No.:** **US D478,195 S**

(45) **Date of Patent:** **** Aug. 5, 2003**

(54) **BIRD TOY**

OTHER PUBLICATIONS

(75) Inventor: **Glenn H. McGinty**, Denver, CO (US)

J & Y Pet Products; May 1995; Item #559, Sisal Scratch 'N Roll.*

(73) Assignee: **Aquarium Systems, Inc.**, Mentor, OH (US)

J & Y Pet Products; Copyright 1991; Scratch 'N Roll.*
duraPro Products, Inc.; Mar. 1990; Rope Ladders #B410 & B401.*

(**) Term: **14 Years**

Frasier Products, Inc.; Mar. 1994; Parrot Toys brochure; Play Rings, Play Strip and Play Box.*

(21) Appl. No.: **29/161,413**

* cited by examiner

(22) Filed: **May 29, 2002**

(51) **LOC (7) Cl.** **30-99**

Primary Examiner—Cathy Anne MacCormac

(52) **U.S. Cl.** **D30/160**

(74) *Attorney, Agent, or Firm*—Renner, Otto, Boisselle & Sklar, LLP

(58) **Field of Search** D30/160; 119/702,
119/707-711; D21/428, 505, 818, 474,
475, 476, 481; 273/153 R, 157 R, 159,
153 P

(57) **CLAIM**

The ornamental design for a bird toy, as shown and described.

(56) **References Cited**

DESCRIPTION

U.S. PATENT DOCUMENTS

| | | | | |
|---------------|---------|------------------|-------|-----------|
| D26,529 S * | 1/1897 | Way | | 273/153 R |
| 801,406 A * | 10/1905 | Silfa | | 273/159 |
| 2,707,937 A * | 5/1955 | Herman | | 119/708 |
| 3,237,947 A * | 3/1966 | Masters | | 446/431 |
| 4,221,386 A * | 9/1980 | Wisniewski | | 273/159 |
| 4,542,714 A * | 9/1985 | Ingraham et al. | | 119/708 |
| 5,022,345 A * | 6/1991 | Bolivar et al. | | 119/708 |
| 5,165,363 A * | 11/1992 | McGinty | | 119/707 |
| D337,393 S * | 7/1993 | Weldy | | D30/119 |
| D349,367 S * | 8/1994 | Lawson | | D30/119 |
| D363,148 S * | 10/1995 | Frasier | | D30/160 |
| 5,870,971 A * | 2/1999 | Krietzman et al. | | 119/707 |
| D469,484 S * | 1/2003 | Dawson | | D21/684 |

FIG. 1 is a perspective view of a bird toy showing my new design;

FIG. 2 is a front elevation view thereof, the rear elevation view being identical;

FIG. 3 is a left side elevation view thereof, the right side elevation view being identical;

FIG. 4 is a top plan view thereof; and,

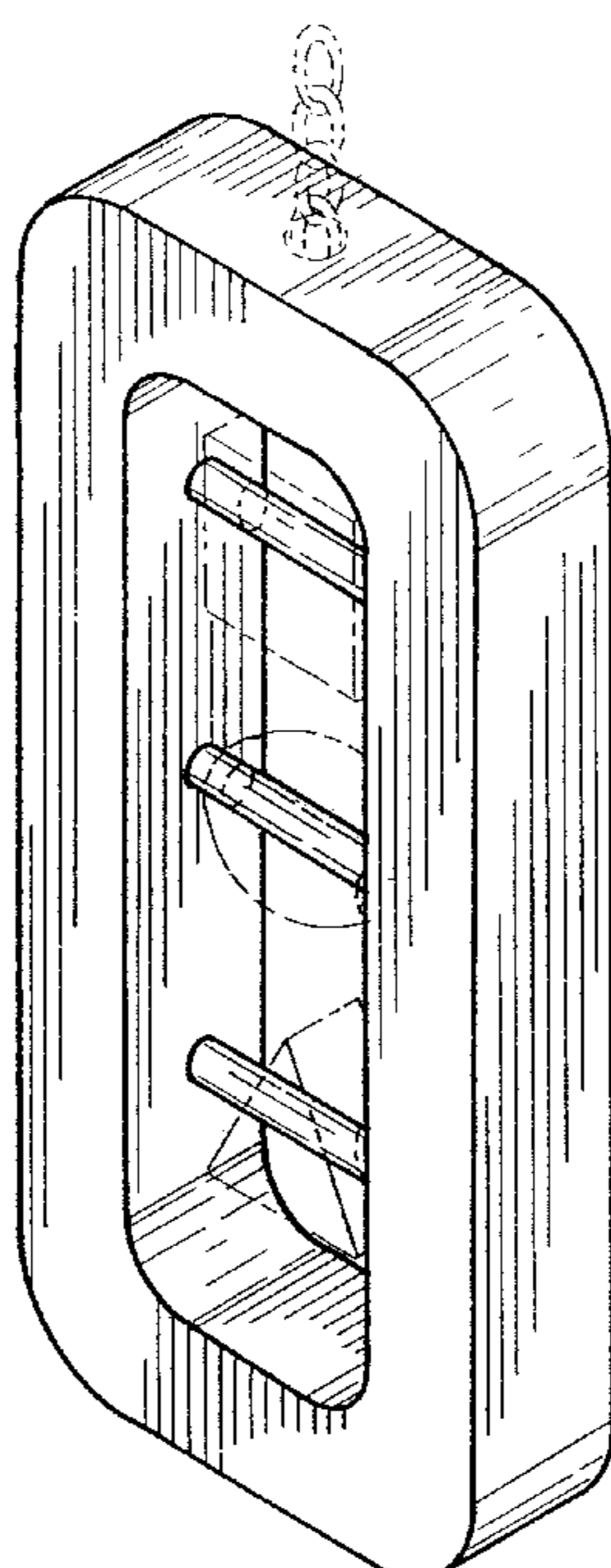
FIG. 5 is a bottom plan view thereof.

The broken lines showing the hanging chain in FIGS. 1-3, the different rotatable and movable shapes in FIGS. 1 and 2 and the chain hole in FIGS. 1 and 4 are for illustrative purposes only and form no part of the claimed design.

FOREIGN PATENT DOCUMENTS

FR 538316 * 3/1922 D30/160

1 Claim, 2 Drawing Sheets



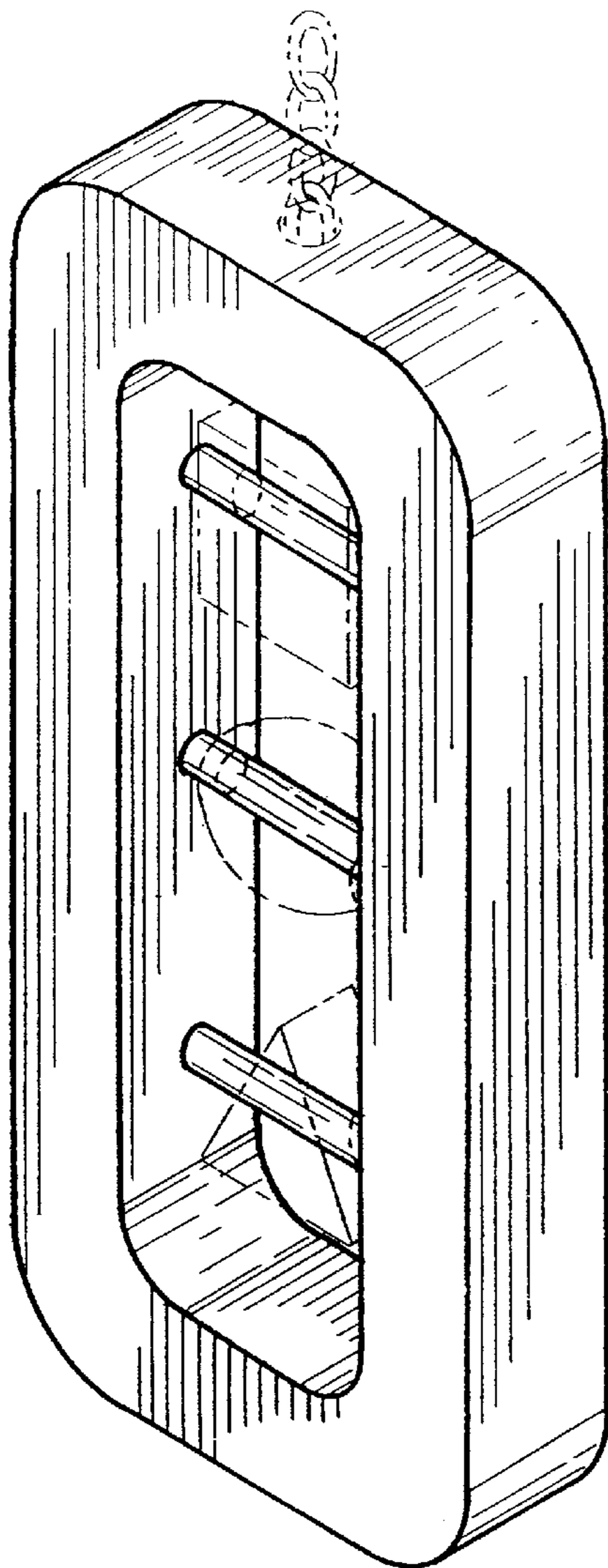


FIG. 1

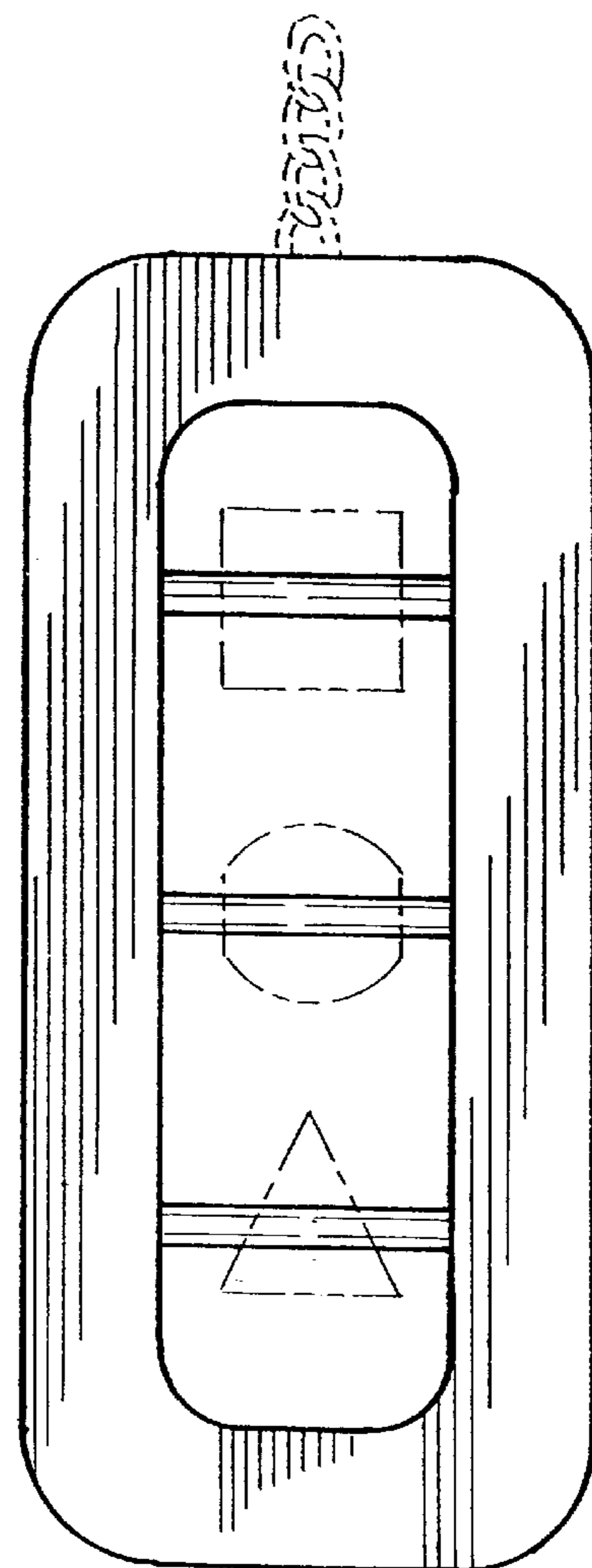


FIG. 2

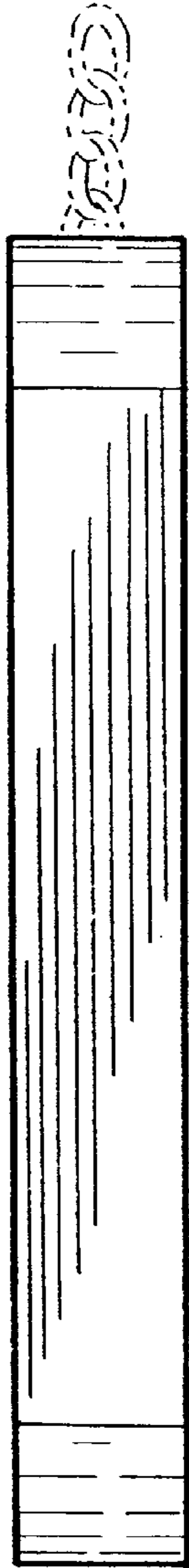


FIG. 3

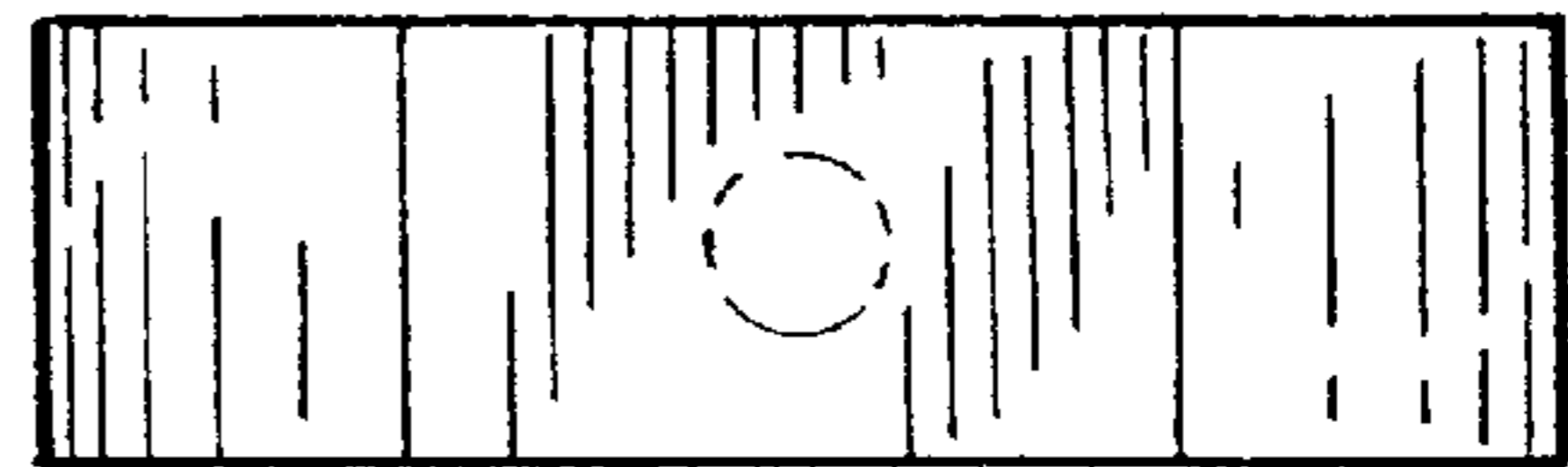


FIG. 4

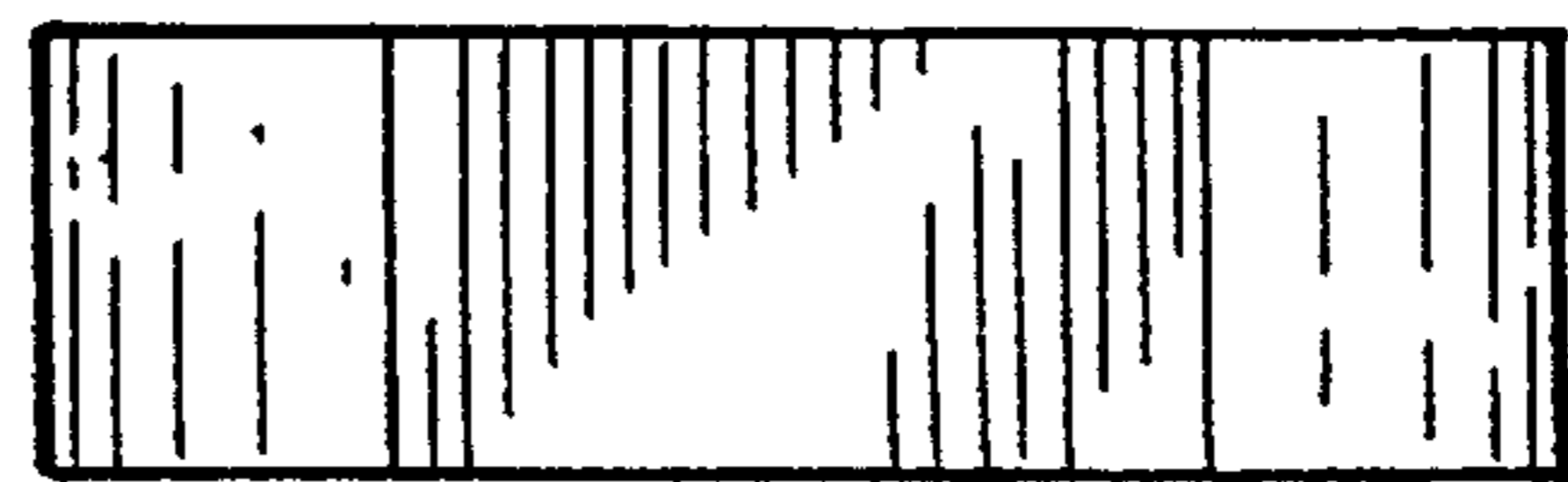


FIG. 5