



US00D478193S

(12) **United States Design Patent**
Routh

(10) **Patent No.:** **US D478,193 S**

(45) **Date of Patent:** **** Aug. 5, 2003**

(54) **ANIMAL FEEDING RECEPTACLE HOLDER**

(76) Inventor: **Sean Routh**, 26 Hall Carr Road,
Rawtenstall, Lancashire BB4 6Aw (GB)

(**) Term: **14 Years**

(21) Appl. No.: **29/164,786**

(22) Filed: **Jul. 31, 2002**

(30) **Foreign Application Priority Data**

Jan. 31, 2002 (GB) 3001100
Jun. 12, 2002 (GB) 3004286

(51) **LOC (7) Cl.** **30-03**

(52) **U.S. Cl.** **D30/131; D30/133**

(58) **Field of Search** D30/121, 129-133;
119/61, 51.01, 51.5, 51.11, 51.12, 52.4,
72, 73, 77, 158; D6/469

(56) **References Cited**

U.S. PATENT DOCUMENTS

D237,787 S * 11/1975 Weyrich, Jr. D34/24
D374,517 S * 10/1996 Morrill D30/133

D377,244 S * 1/1997 Steininger D30/133
D424,759 S * 5/2000 Sipka D30/130
D446,611 S * 8/2001 Gunter D30/130

* cited by examiner

Primary Examiner—Pamela Burgess

(74) *Attorney, Agent, or Firm*—Samuels, Gauthier &
Stevens

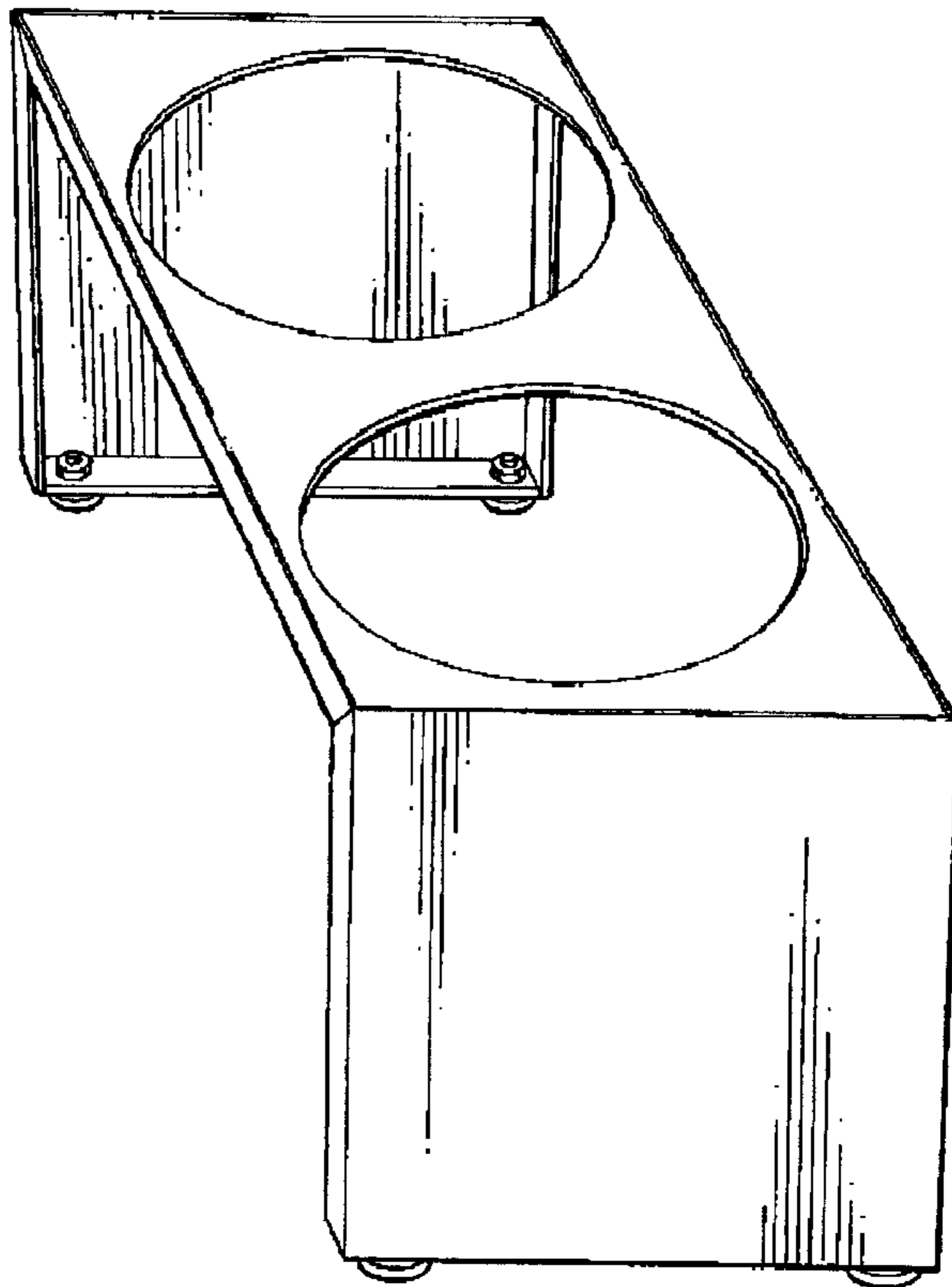
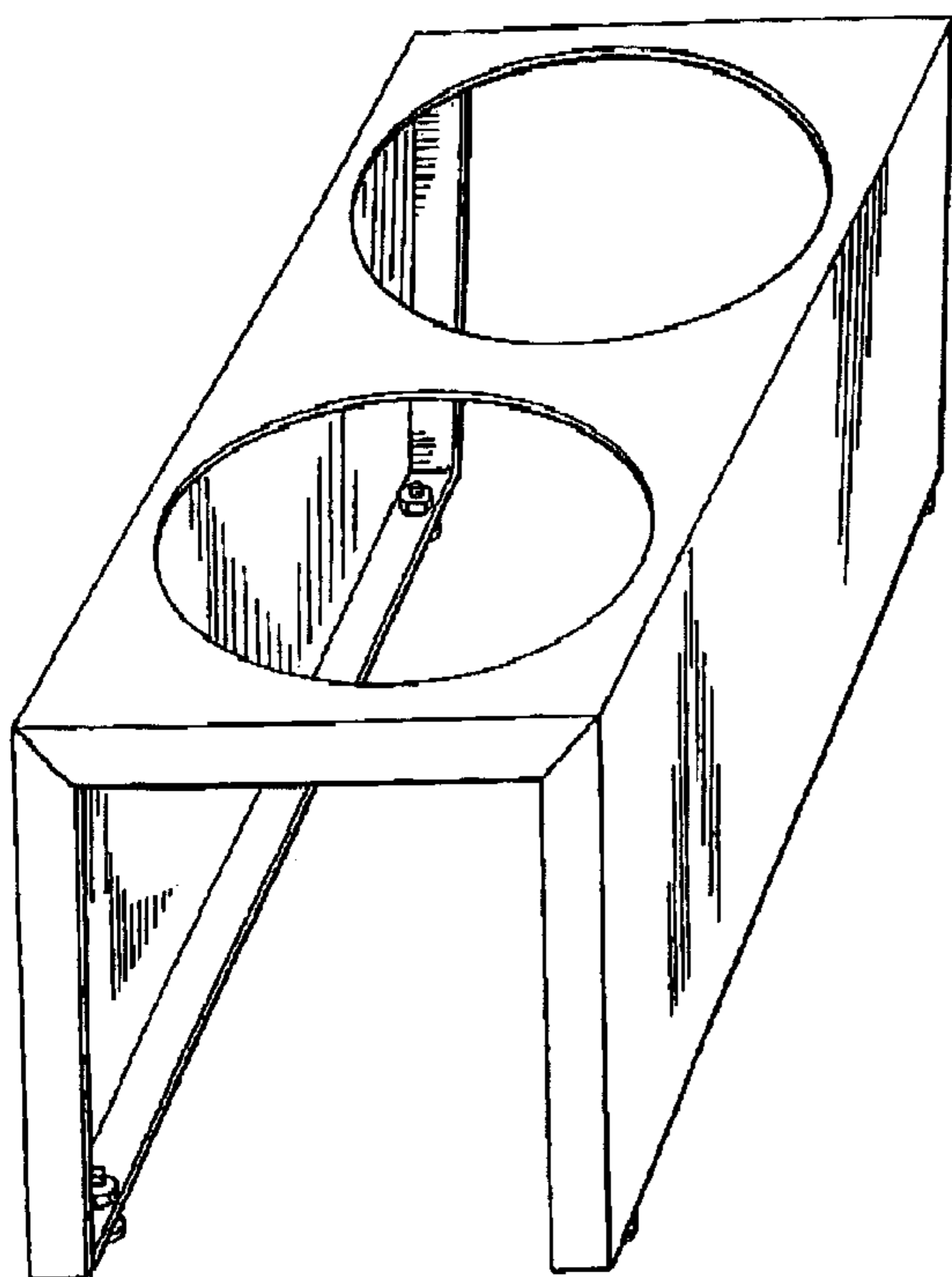
(57) **CLAIM**

The ornamental design for an animal feeding receptacle
holder, as shown and described.

DESCRIPTION

FIG. 1 is a top perspective view of a first embodiment of the
animal feeding receptacle holder;
FIG. 2 is a bottom perspective view of the first embodiment;
FIG. 3 is a top perspective view of a second embodiment of
the animal feeding receptacle holder; and,
FIG. 4 is a bottom perspective view of the second embodi-
ment.

1 Claim, 4 Drawing Sheets



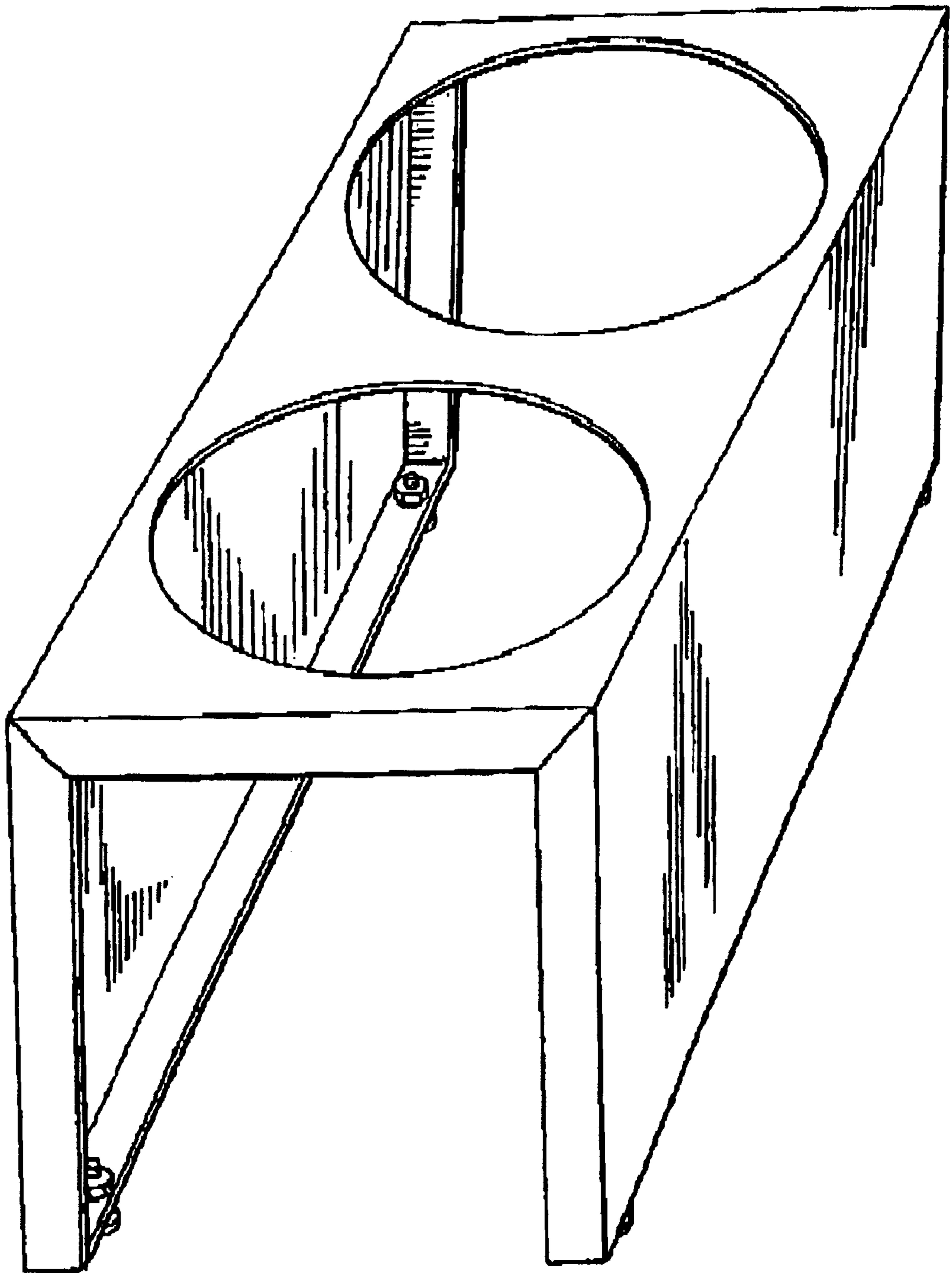


FIG. 1

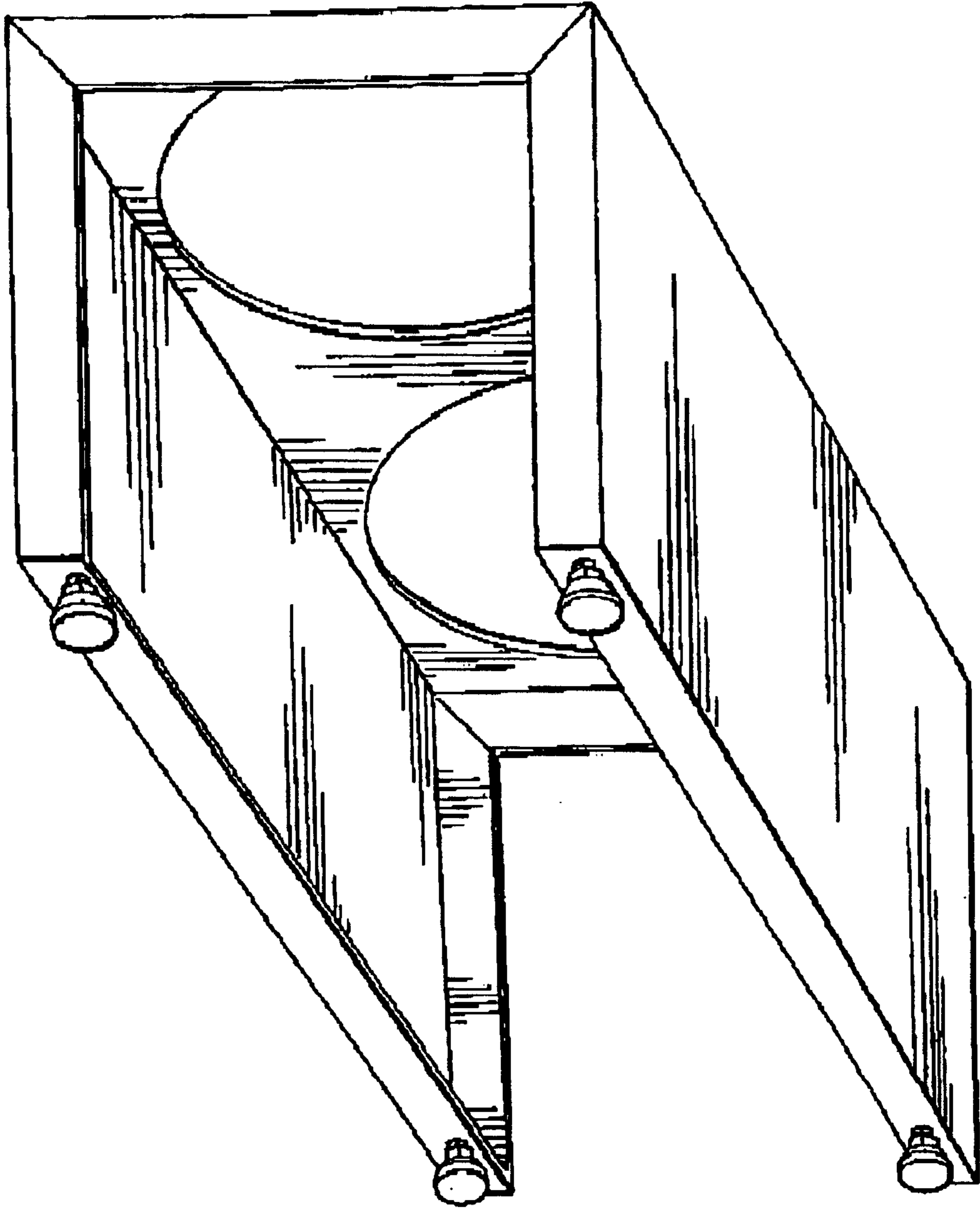


FIG. 2

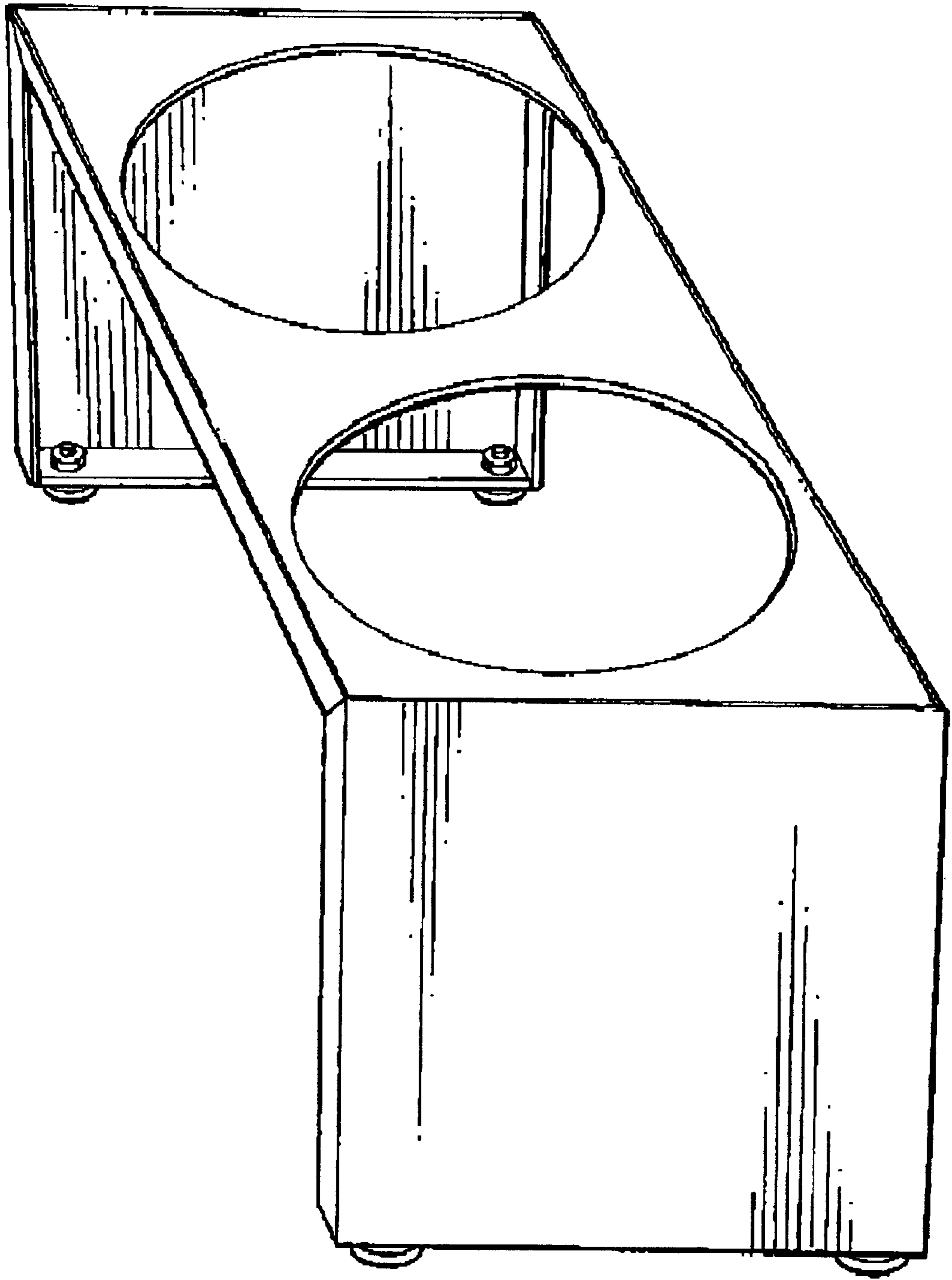


FIG. 3

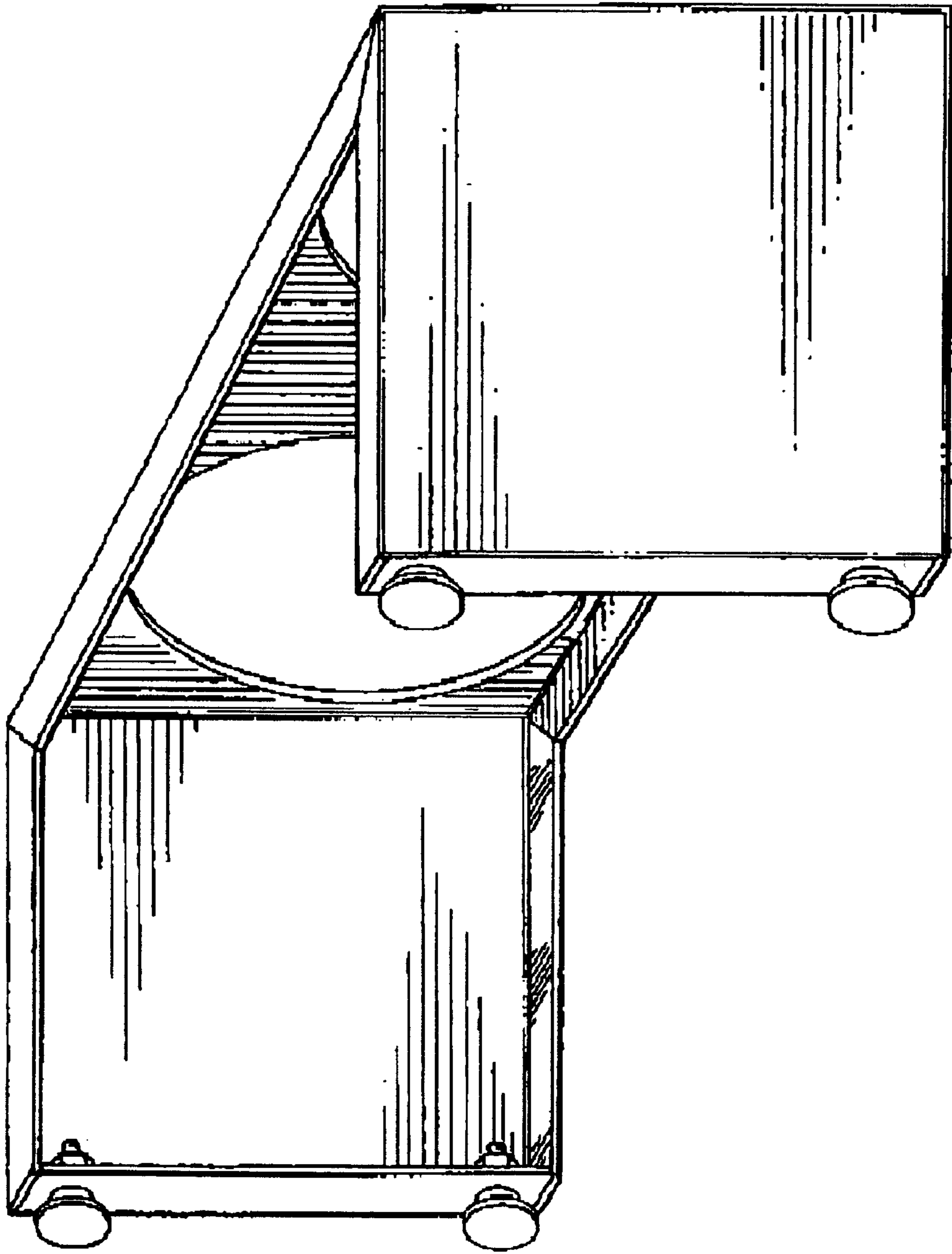


FIG. 4