



US00D478192S

(12) **United States Design Patent**
Lai

(10) **Patent No.:** **US D478,192 S**

(45) **Date of Patent:** **** Aug. 5, 2003**

(54) **COSMETIC CASING**

D443,393 S * 6/2001 Goswell D28/83
D452,938 S * 1/2002 Lai D28/77

(75) Inventor: **Chin Chun Lai**, Chong Ho (TW)

OTHER PUBLICATIONS

(73) Assignee: **Chao Ling Chemical Industry Co., Ltd.**

Hong Kong Enterprise Jun. 1994, p. 659: item No. 9324B.*

(**) Term: **14 Years**

* cited by examiner

(21) Appl. No.: **29/164,291**

Primary Examiner—Ted Shooman
Assistant Examiner—C Tuttle

(22) Filed: **Jul. 19, 2002**

(57) **CLAIM**

(51) **LOC (7) Cl.** **28-02**

The ornamental design for a cosmetic casing, as shown and described.

(52) **U.S. Cl.** **D28/83**

(58) **Field of Search** D28/76-84; D9/341,
D9/420, 423, 418; D3/273-275, 294, 295,
901; D19/35, 36; 132/286-318; 206/235,
581, 823; 220/DIG. 26

DESCRIPTION

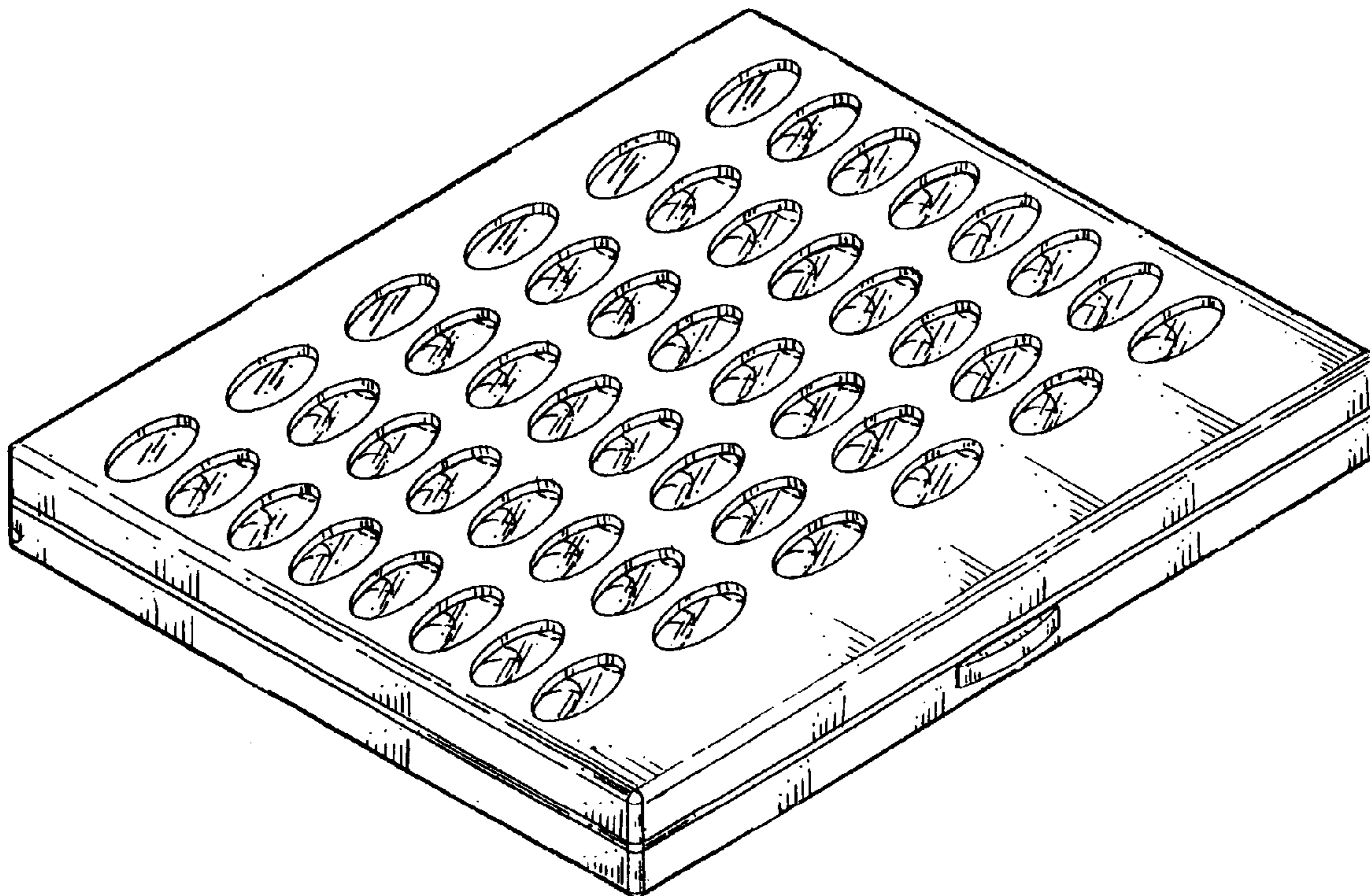
(56) **References Cited**

U.S. PATENT DOCUMENTS

2,041,260 A * 5/1936 Morrison 220/DIG. 26 X
D111,025 S * 8/1938 Guerlain D9/423
D153,509 S * 4/1949 Flato D28/81
D358,546 S * 5/1995 Walchek, Jr. et al. D9/341
D409,801 S * 5/1999 Kim D28/83
6,168,028 B1 * 1/2001 Telesca et al. 206/823 X

FIG. 1 is a perspective view of a cosmetic casing showing my new design, in which the inner structure shown in broken lines are for illustrative purposes only and form no part of the claimed design;
FIG. 2 is a front elevational view thereof;
FIG. 3 is a rear elevational view thereof;
FIG. 4 is a top plan view thereof;
FIG. 5 is a bottom plan view thereof;
FIG. 6 is a left side elevational view thereof; and,
FIG. 7 is a right side elevational view thereof.

1 Claim, 4 Drawing Sheets



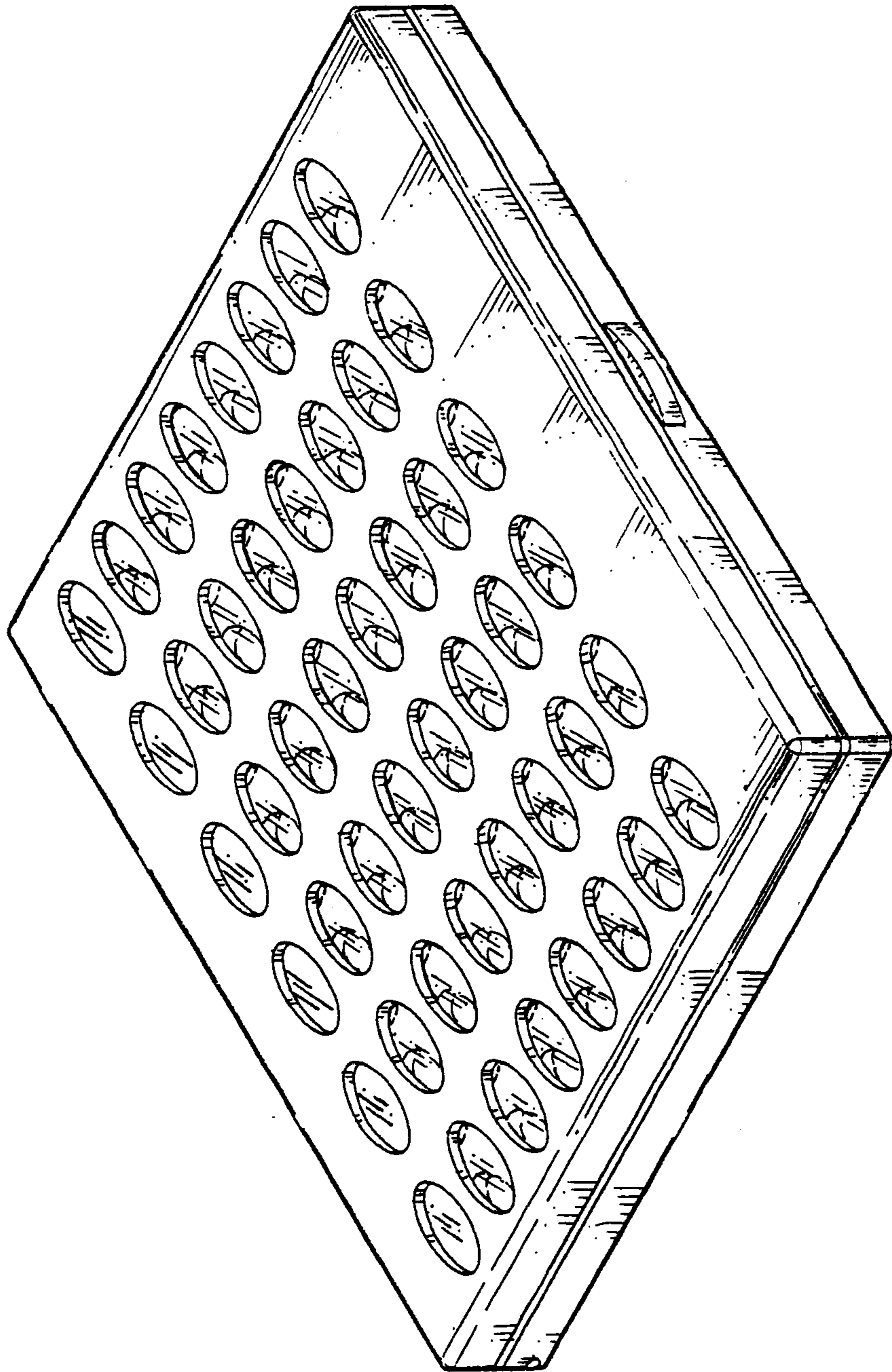


FIG. 1

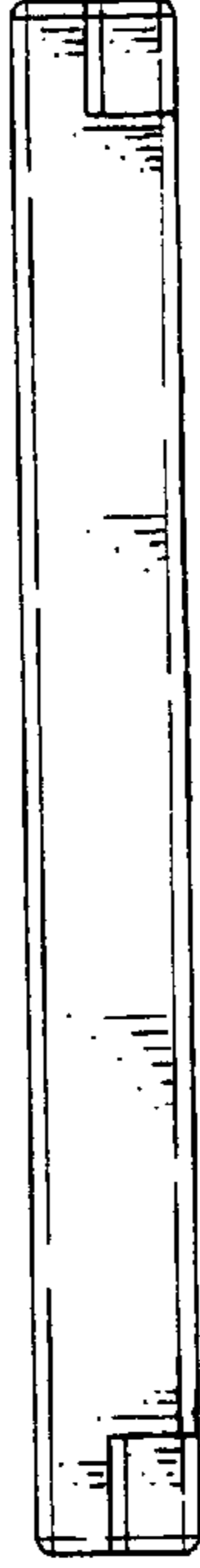


FIG. 3

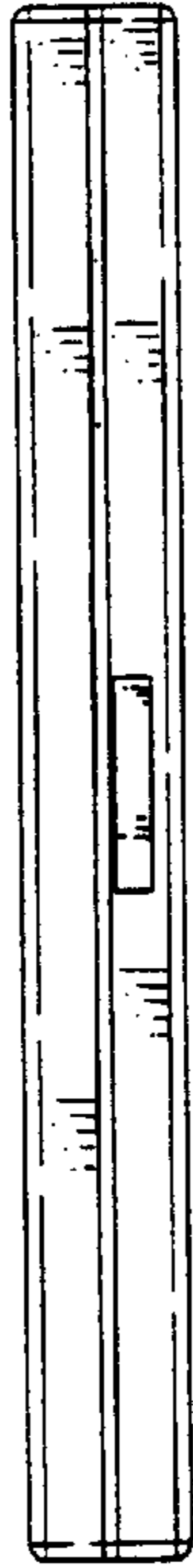


FIG. 2

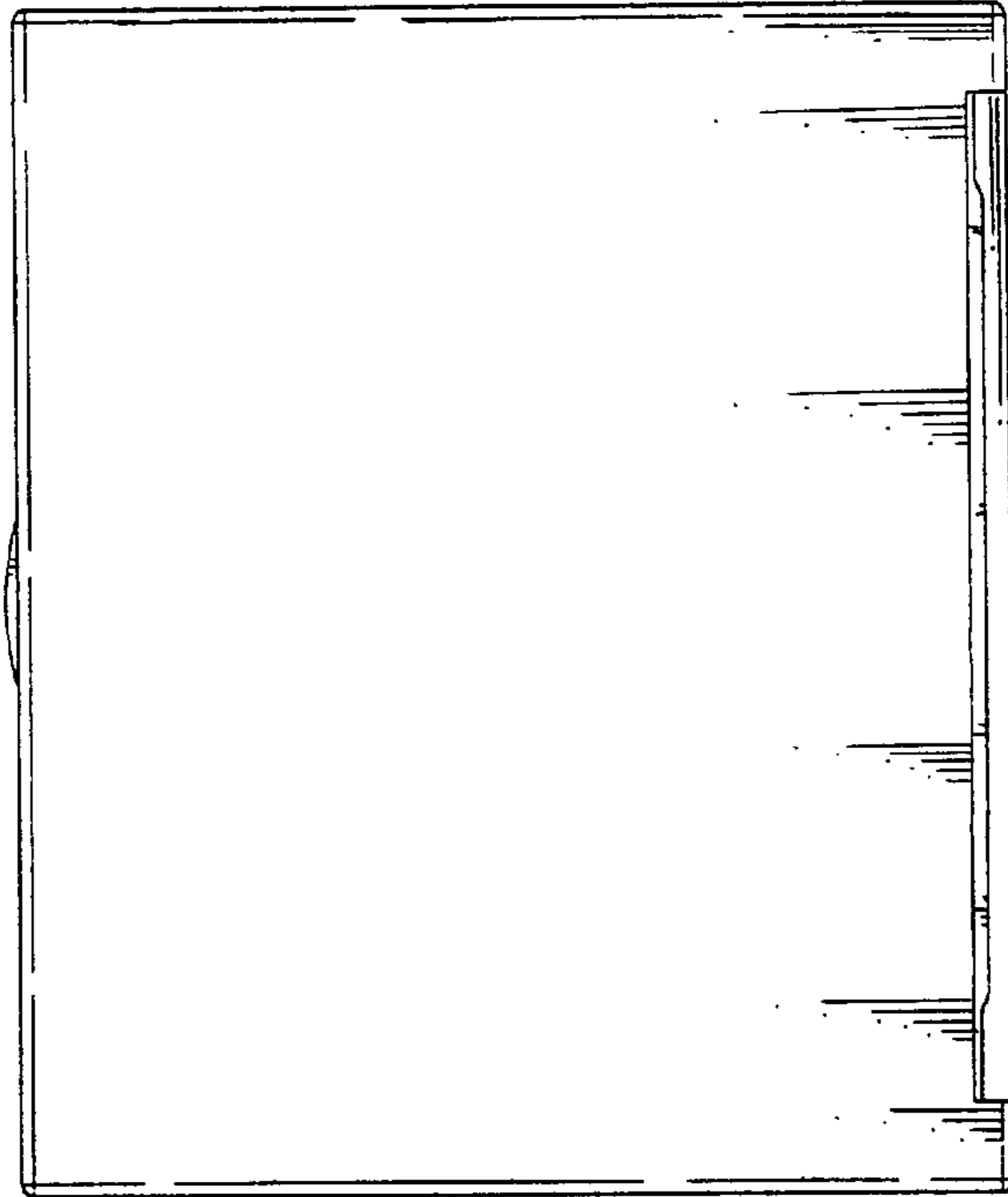


FIG. 5

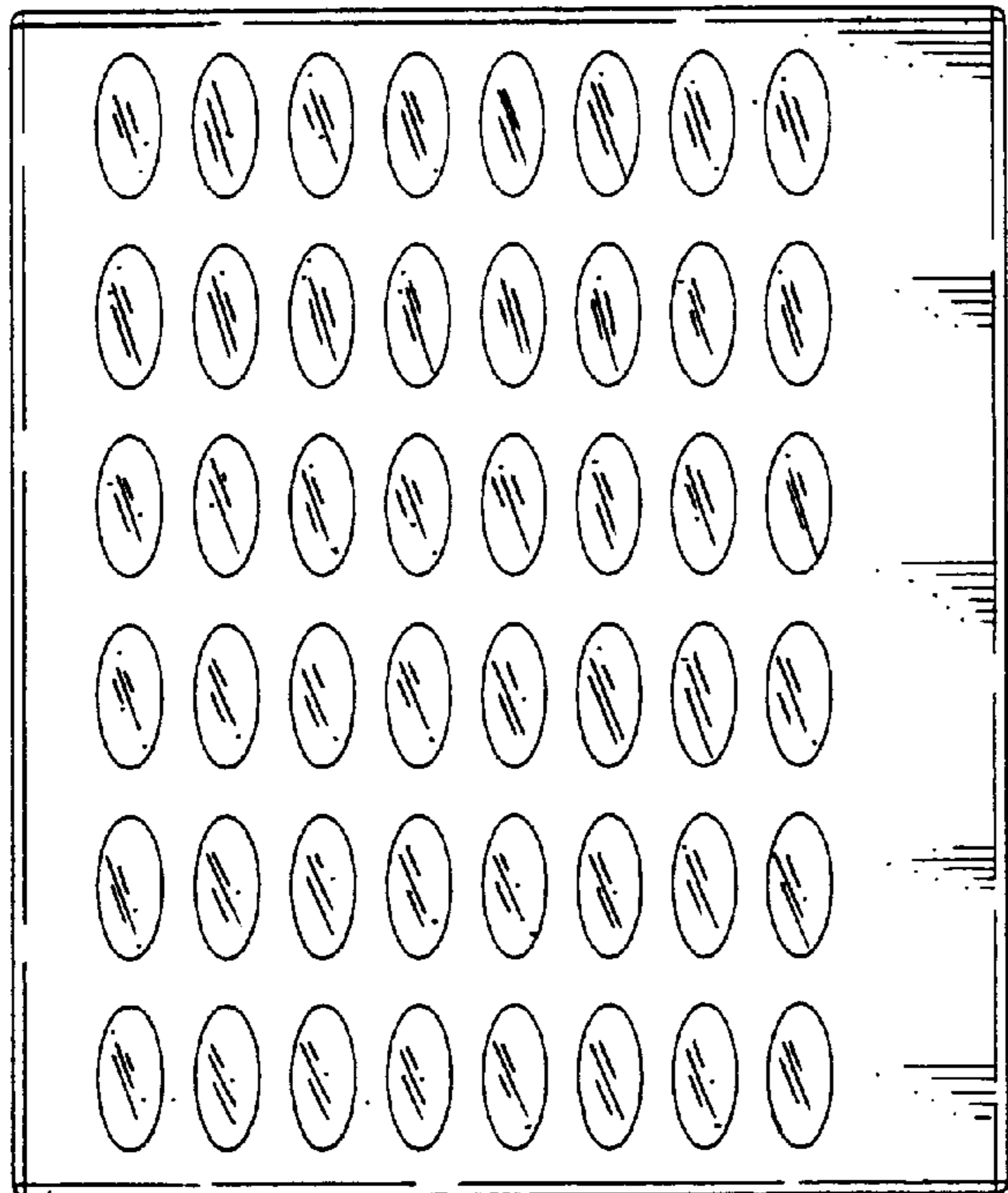


FIG. 4

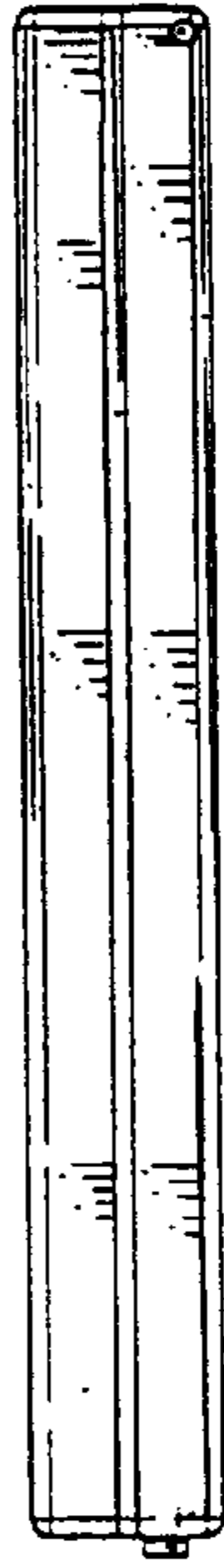


FIG. 6

FIG. 7