



US00D478191S

(12) **United States Design Patent**
Lai

(10) **Patent No.:** **US D478,191 S**

(45) **Date of Patent:** **** Aug. 5, 2003**

(54) **COSMETIC CASING**

D363,569 S * 10/1995 Lai D28/82

(75) Inventor: **Chin Chun Lai**, Chong Ho (TW)

* cited by examiner

(73) Assignee: **Chao Ling Chemical Industry Co., Ltd.**, Taipei (TW)

Primary Examiner—Jennifer Rivard

(**) Term: **14 Years**

(57) **CLAIM**

The ornamental design for a cosmetic casing, as shown and described.

(21) Appl. No.: **29/169,485**

DESCRIPTION

(22) Filed: **Oct. 18, 2002**

(51) **LOC (7) Cl.** **28-03**

FIG. 1 is a perspective view of a cosmetic casing showing my new design;

(52) **U.S. Cl.** **D28/82; D3/295**

FIG. 2 is a front elevational view thereof;

(58) **Field of Search** D28/73, 76, 78-84;
D3/295; 132/293-307, 314-315; 206/581,
823; 220/DIG. 26

FIG. 3 is a rear elevational view thereof;

FIG. 4 is a top plan view thereof;

FIG. 5 is a bottom plan view thereof;

FIG. 6 is a left side elevational view thereof; and,

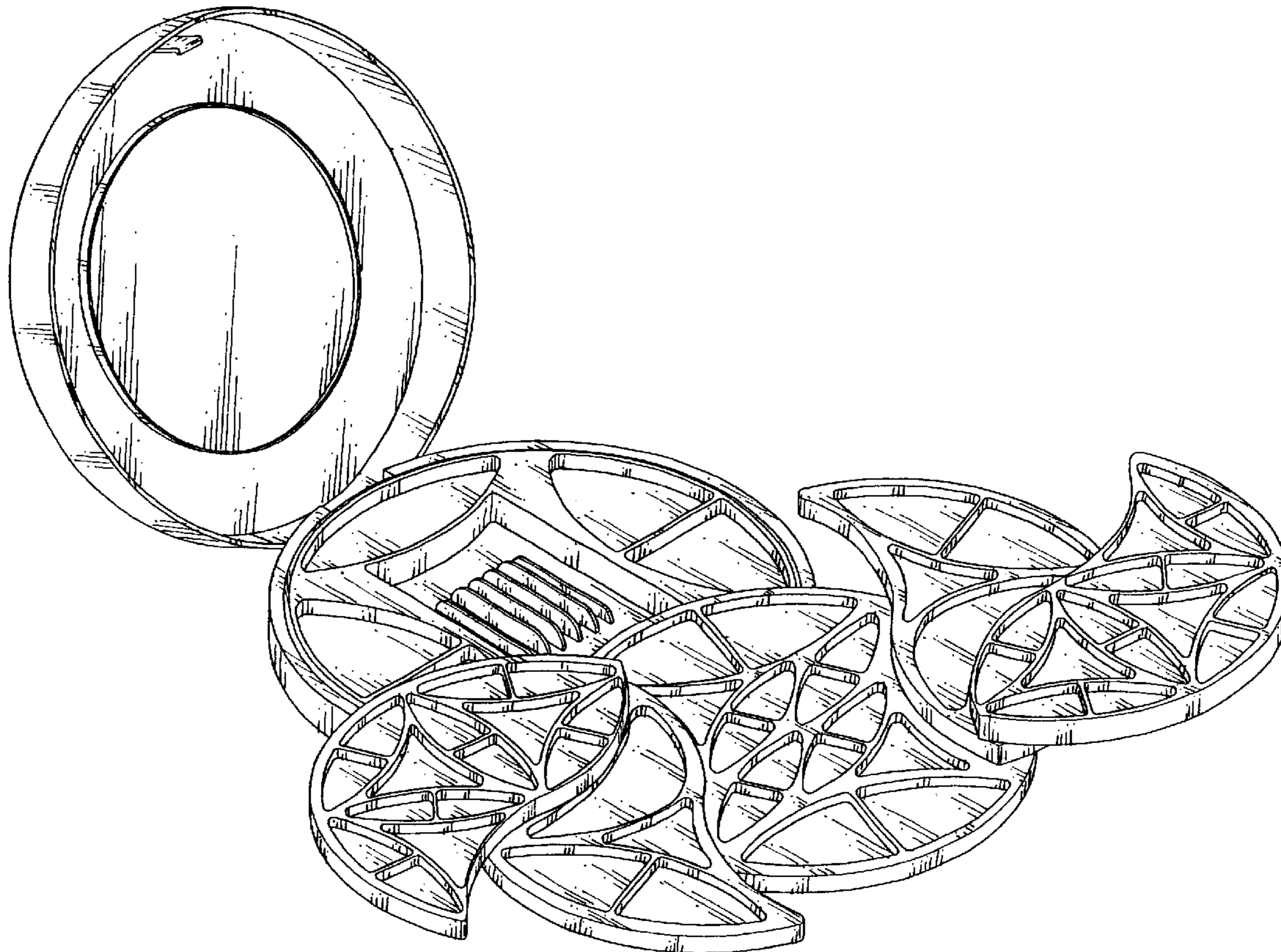
FIG. 7 is a right side elevational view thereof.

(56) **References Cited**

U.S. PATENT DOCUMENTS

D350,625 S * 9/1994 Shen D28/82

1 Claim, 6 Drawing Sheets



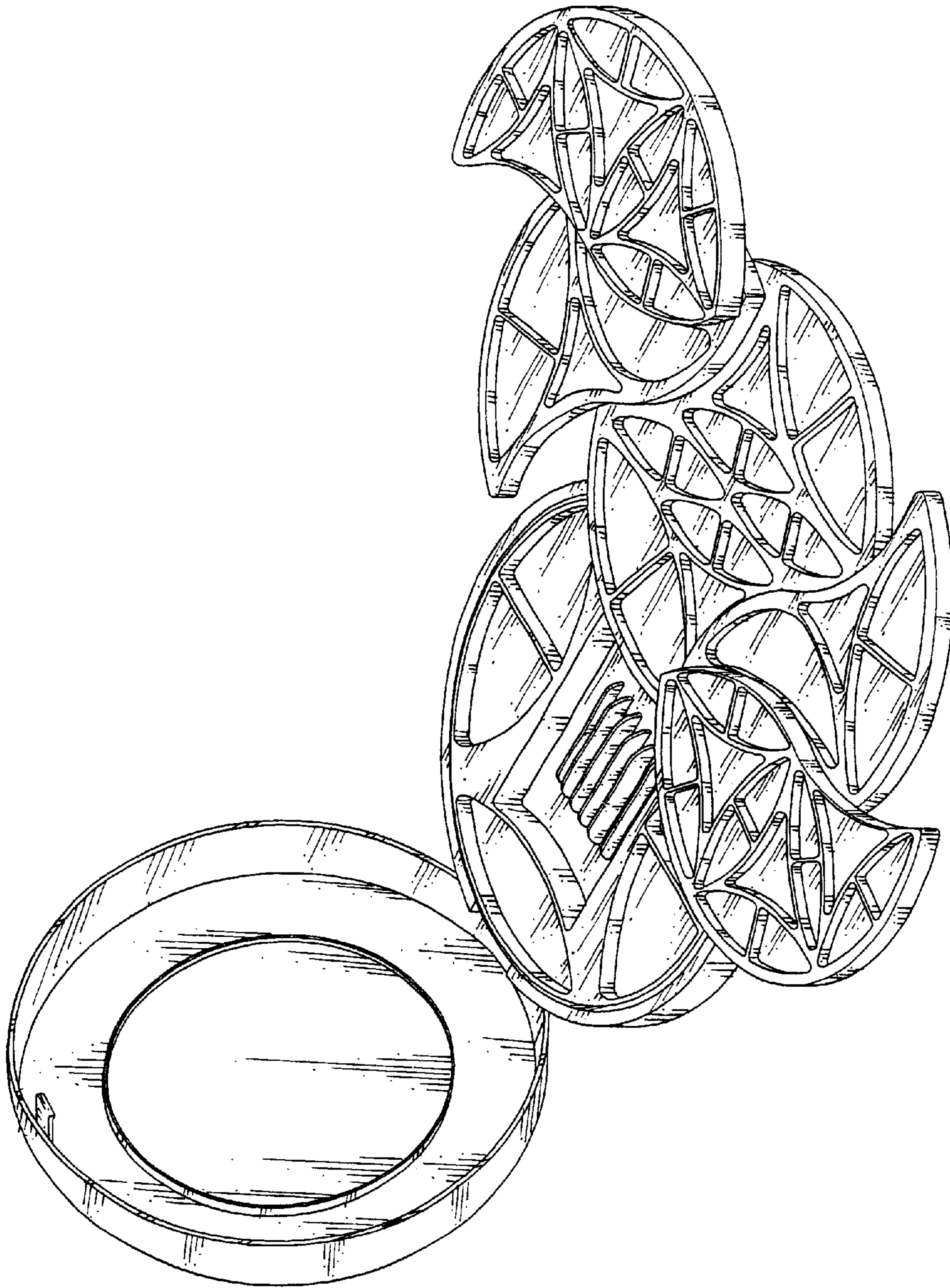


FIG. 1

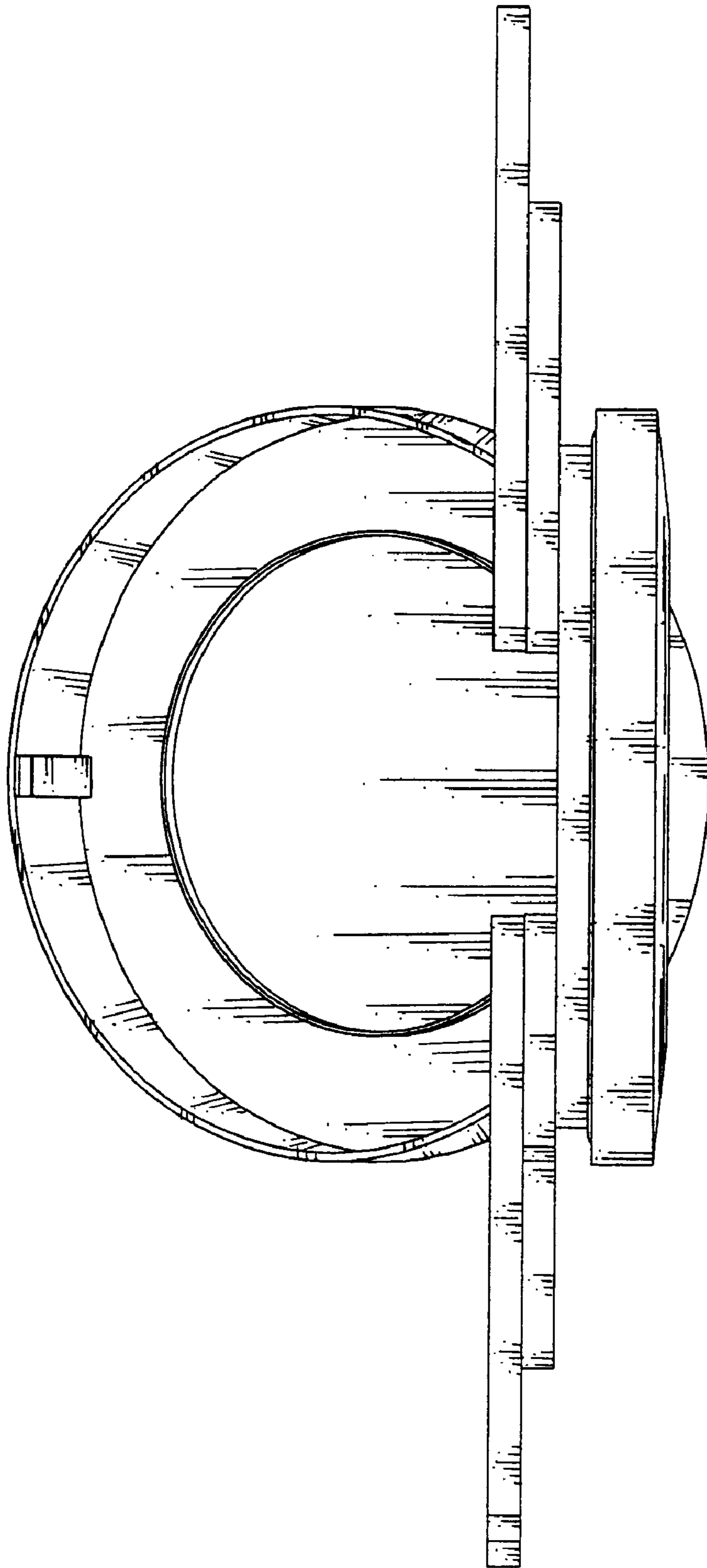


FIG. 2

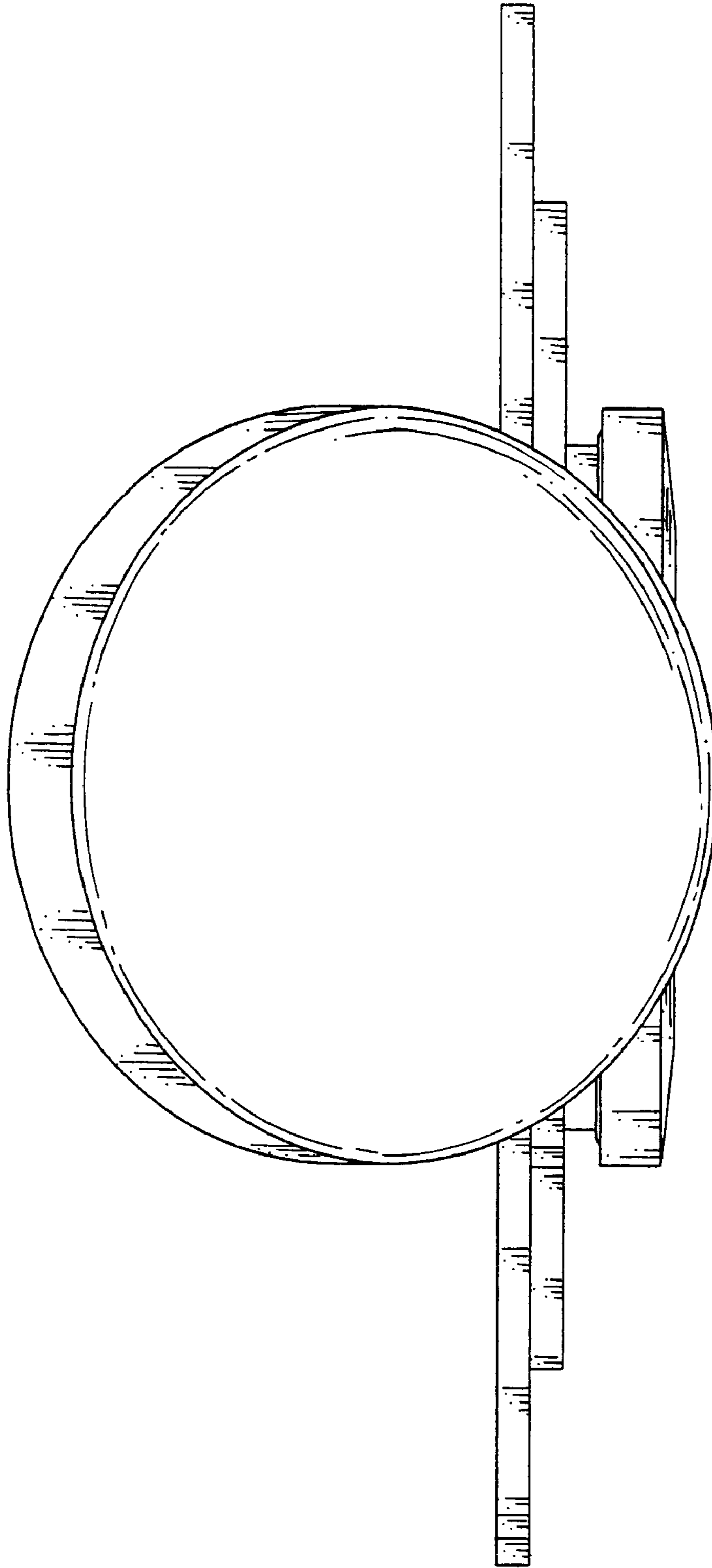


FIG. 3

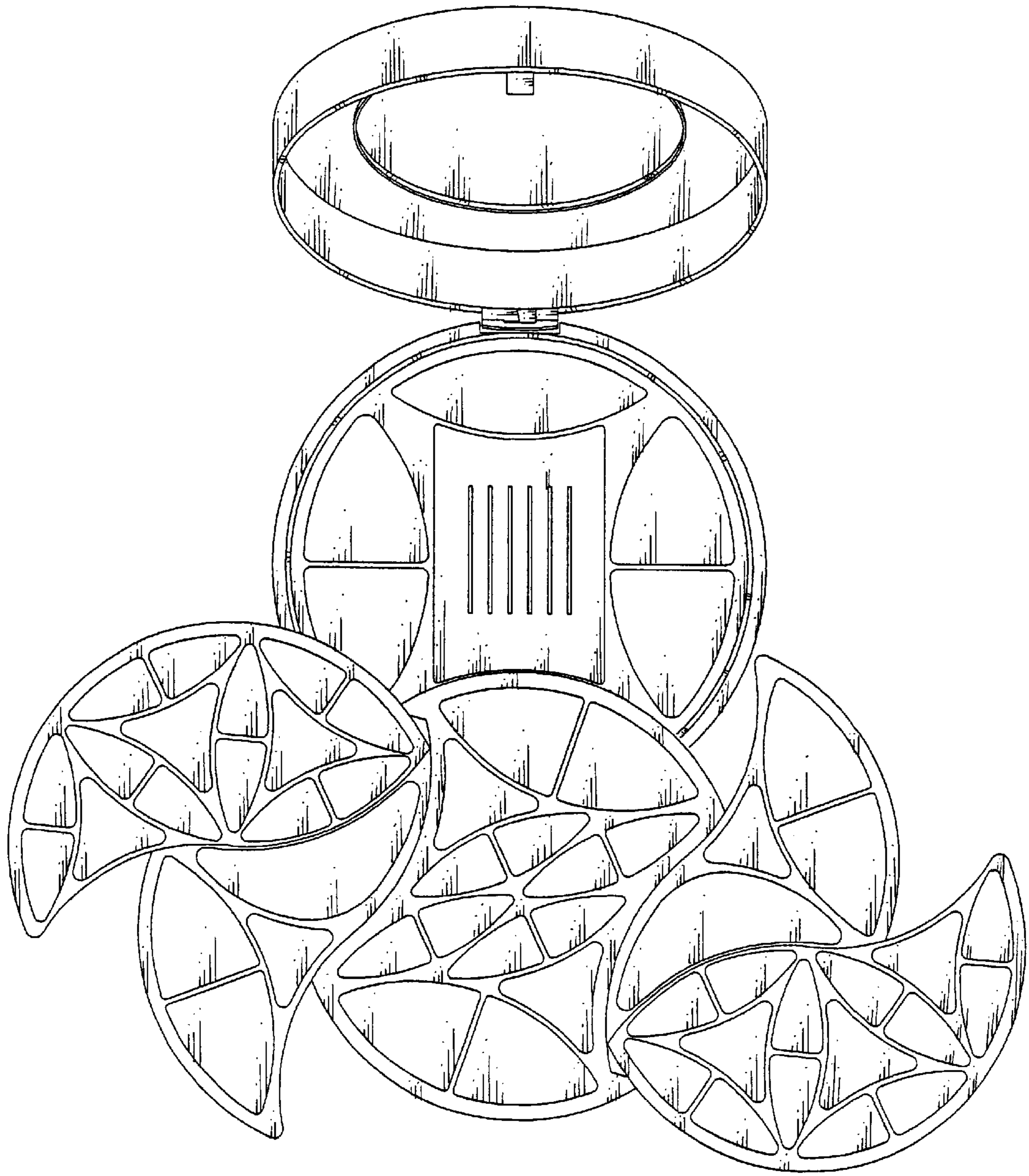


FIG. 4

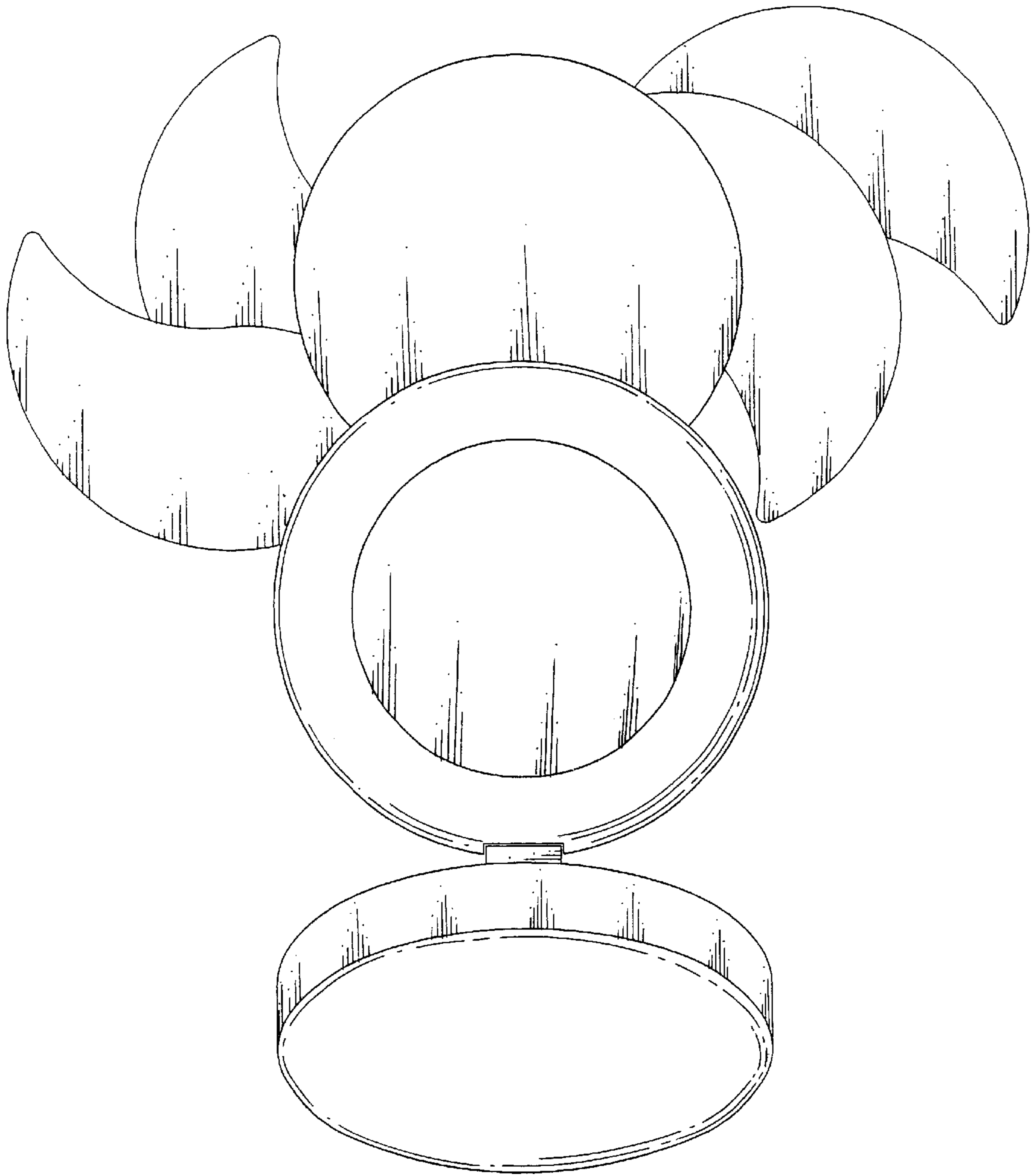


FIG. 5

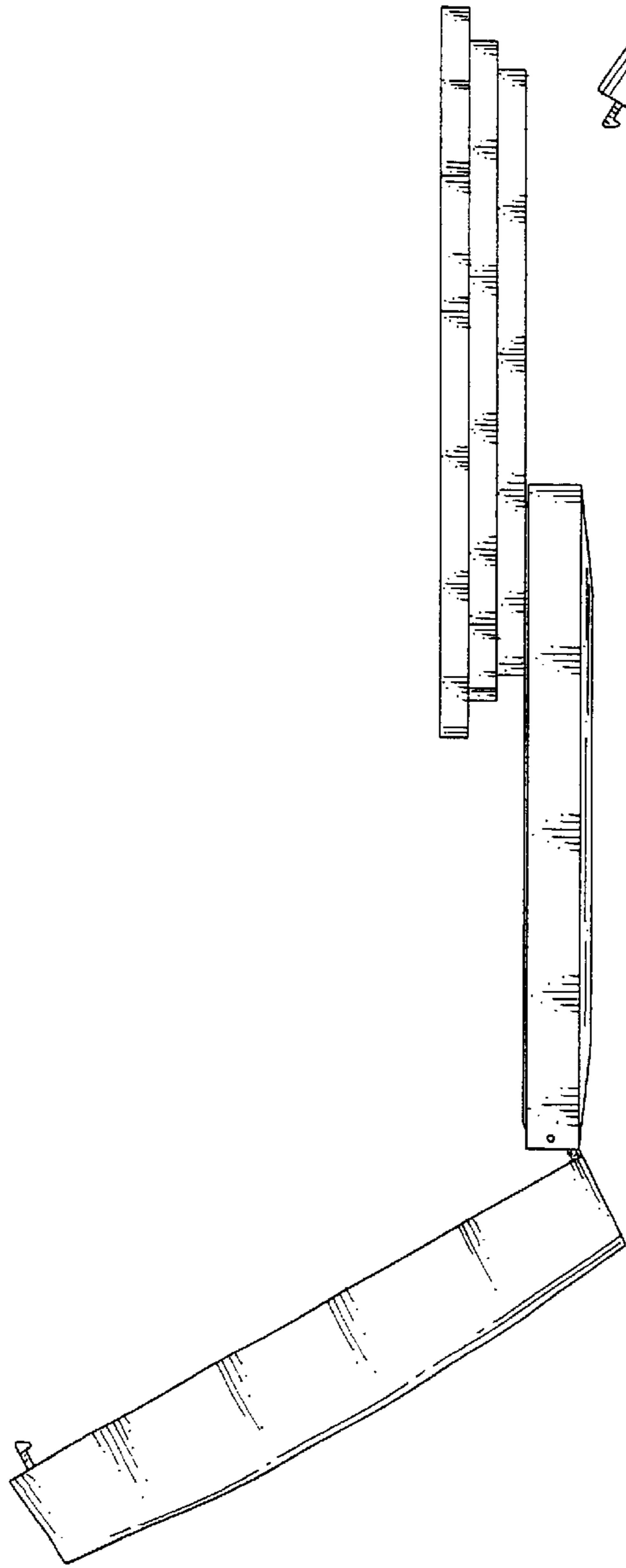


FIG. 6

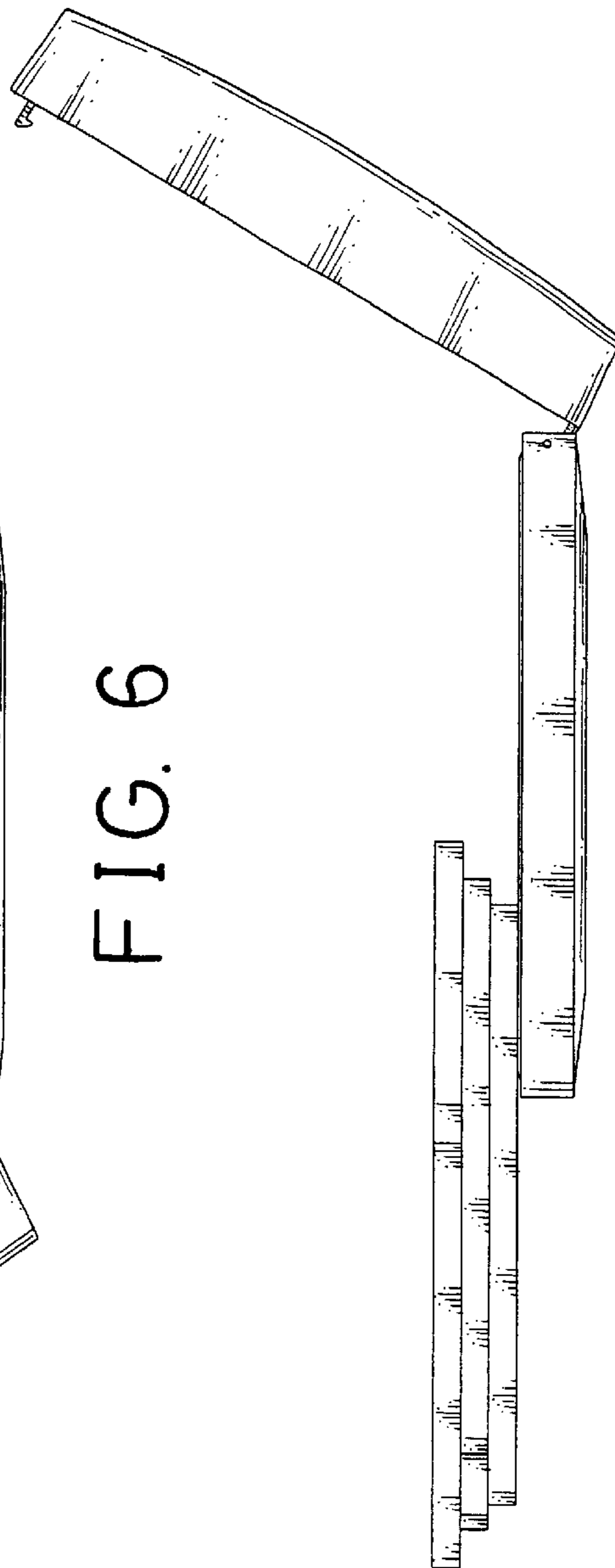


FIG. 7