



US00D478190S

(12) **United States Design Patent**  
**Sheng**

(10) **Patent No.:** **US D478,190 S**

(45) **Date of Patent:** **\*\* Aug. 5, 2003**

(54) **COSMETIC CASE**

(76) Inventor: **Wen-Cheng Sheng**, No. 71, Lane 96,  
Da-Shing St., Tainan City (TW)

(\*\*) Term: **14 Years**

(21) Appl. No.: **29/168,606**

(22) Filed: **Oct. 4, 2002**

(51) **LOC (7) Cl.** ..... **28-03**

(52) **U.S. Cl.** ..... **D28/82**

(58) **Field of Search** ..... D28/73, 76, 78-84;  
132/293-307, 314-315; D3/295; 220/DIG. 26;  
206/581, 823

(56) **References Cited**

**U.S. PATENT DOCUMENTS**

D106,609 S \* 10/1937 Reilly ..... D28/82  
D321,415 S \* 11/1991 Chen ..... D28/80

**FOREIGN PATENT DOCUMENTS**

WO DM/057835 \* 9/2001 ..... D28/78

**OTHER PUBLICATIONS**

The Wilkes Group Compact, Beauty Fashion, Jun. 1988, p. 23.\*

\* cited by examiner

*Primary Examiner*—Jennifer Rivard

(74) *Attorney, Agent, or Firm*—Frommer Lawrence & Haug LLP; Matthew K. Ryan

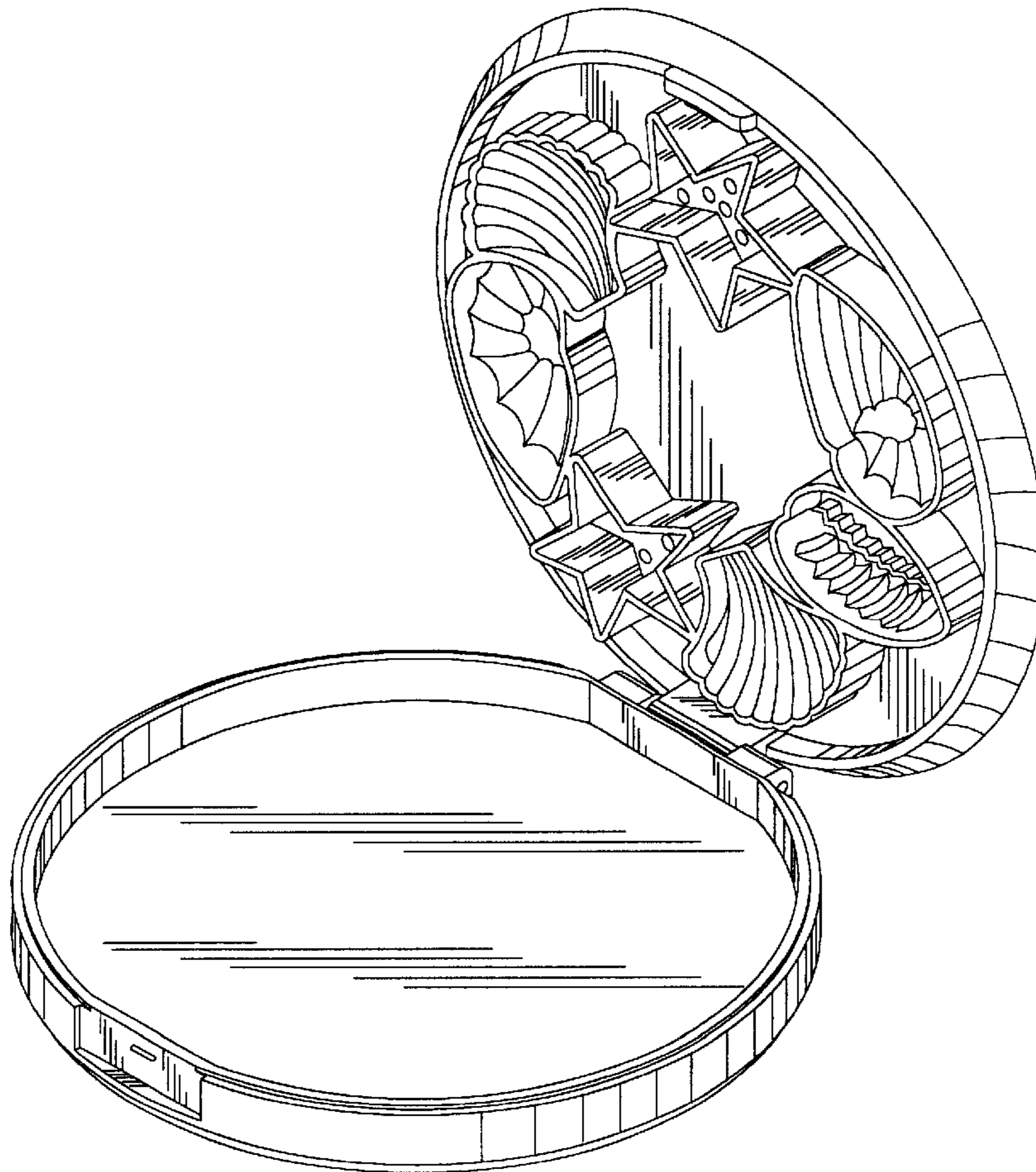
(57) **CLAIM**

The ornamental design for a cosmetic case, as shown and described.

**DESCRIPTION**

FIG. 1 is a perspective view of cosmetic case showing my new design;  
FIG. 2 is a front elevational view thereof;  
FIG. 3 is a rear elevational view thereof;  
FIG. 4 is a left side elevational view thereof;  
FIG. 5 is a right side elevational view thereof;  
FIG. 6 is a top plan view thereof; and,  
FIG. 7 is a bottom plan view thereof.

**1 Claim, 4 Drawing Sheets**



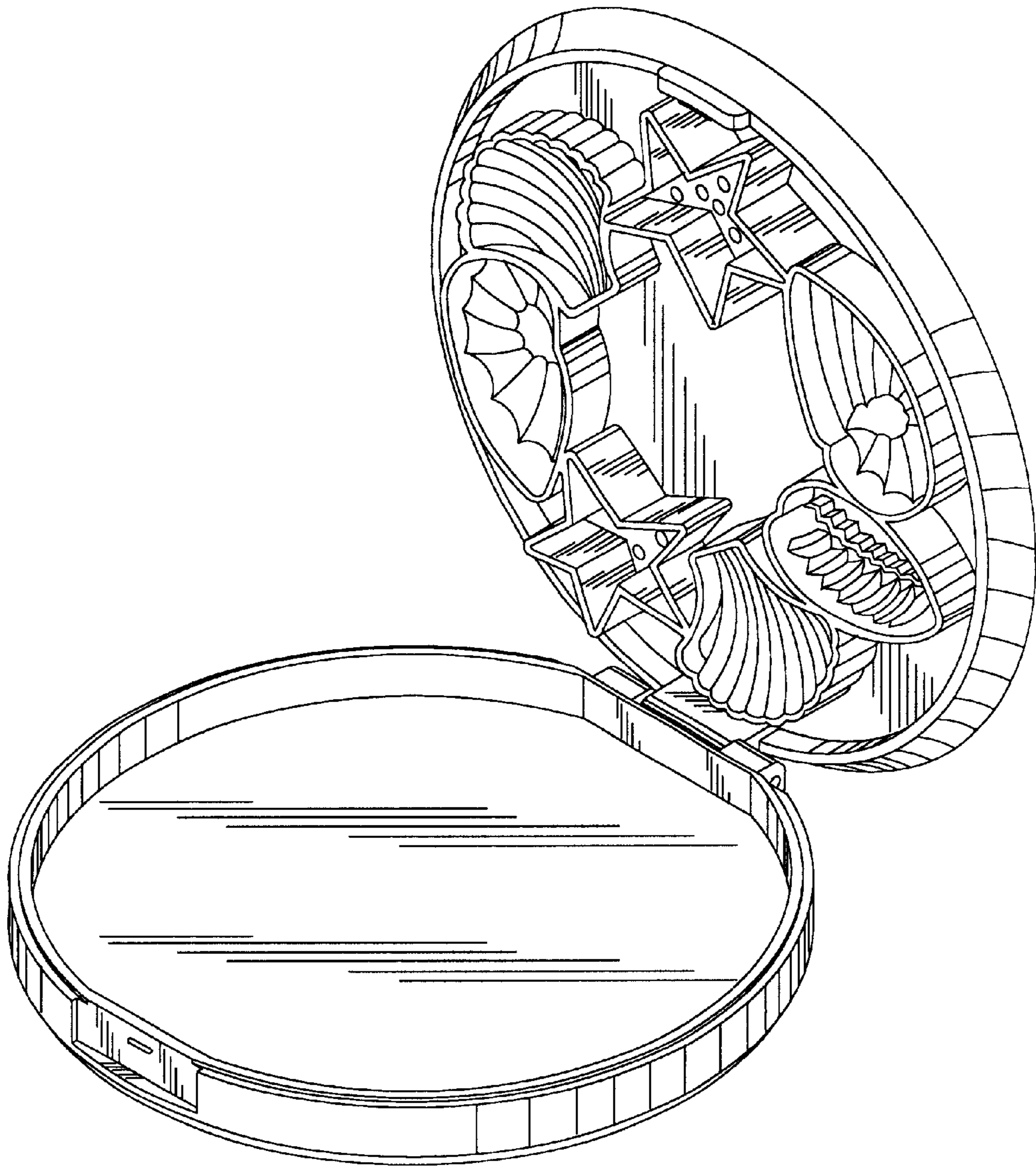


FIG. 1

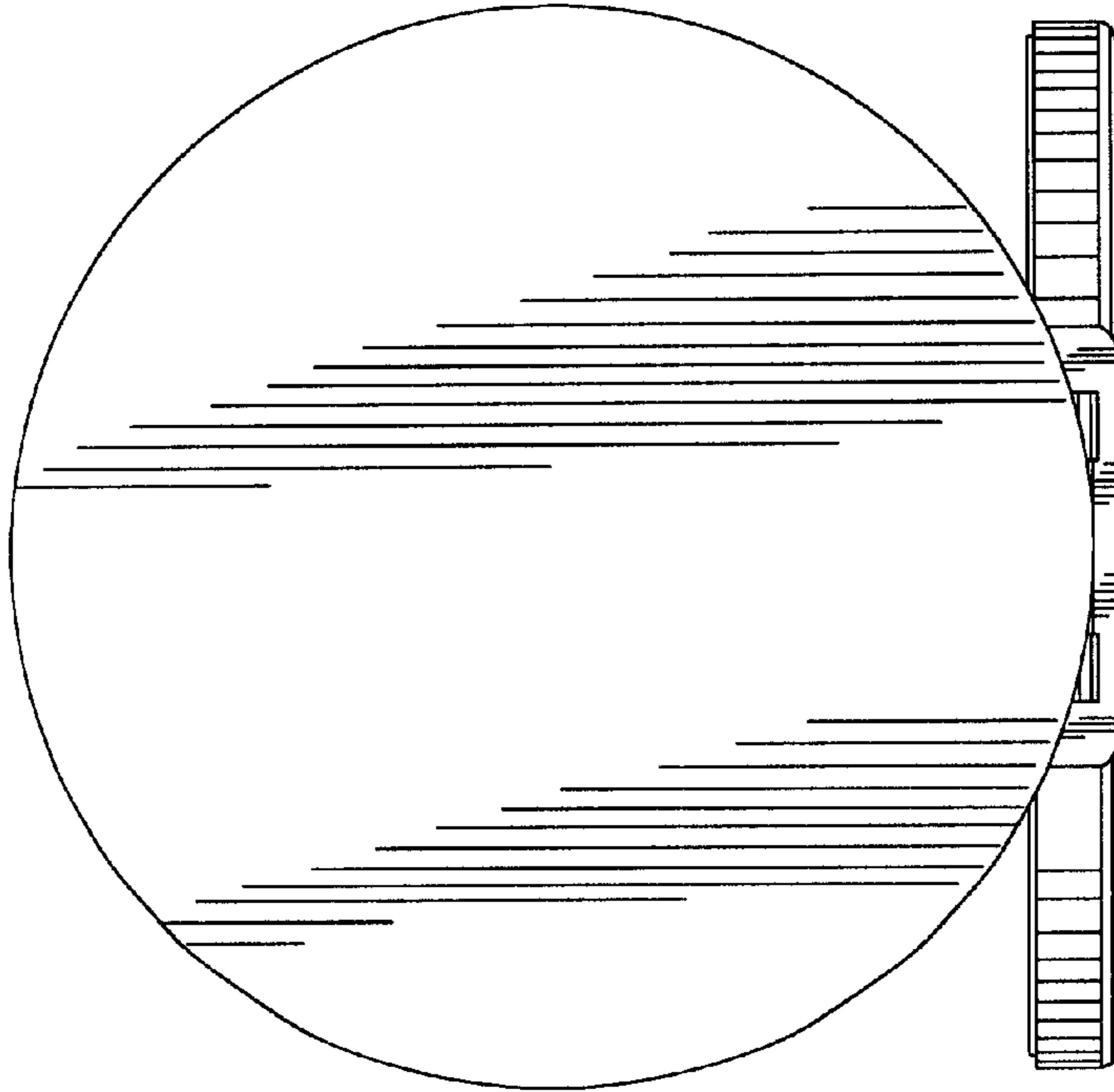


FIG. 3

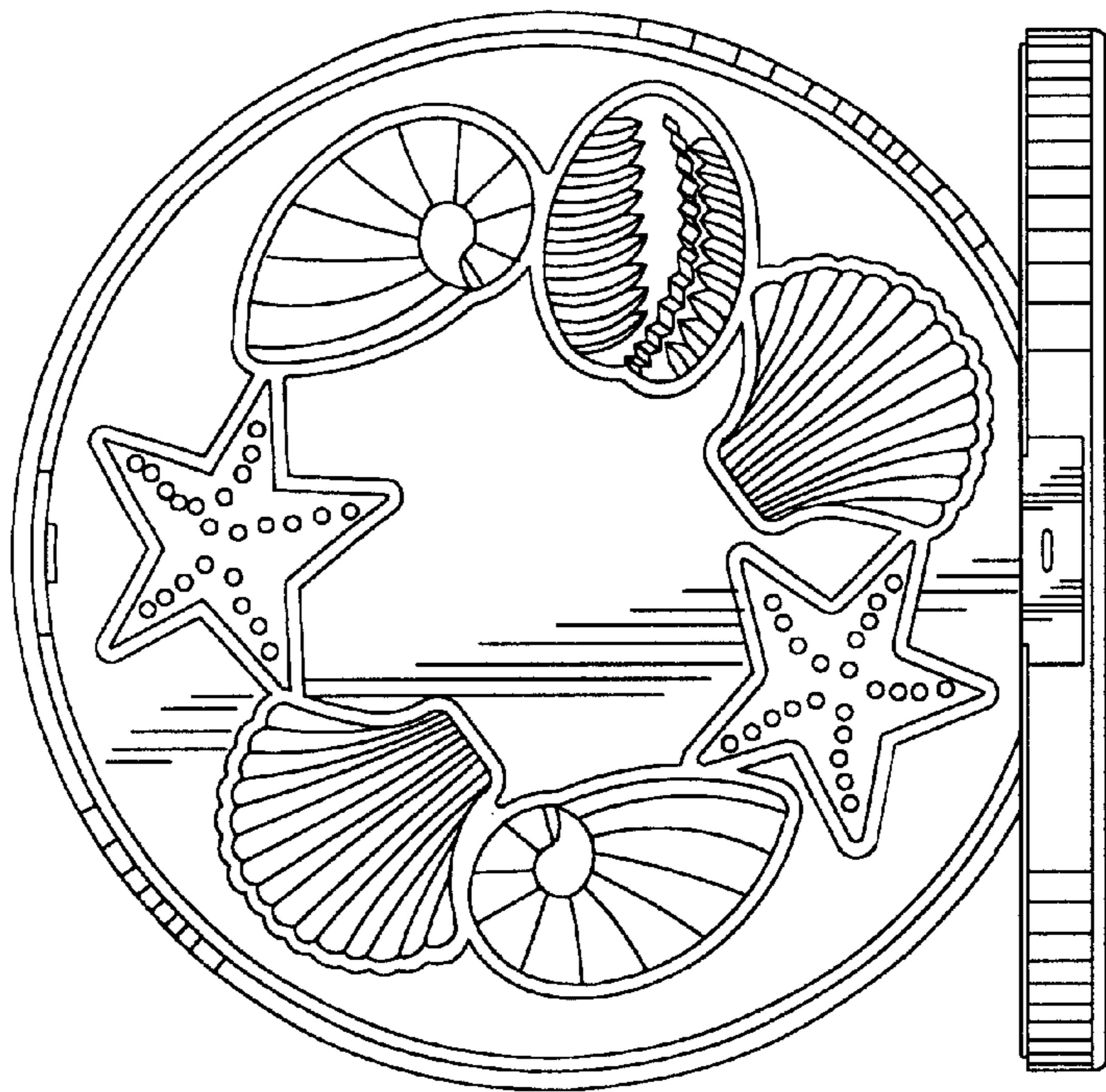


FIG. 2

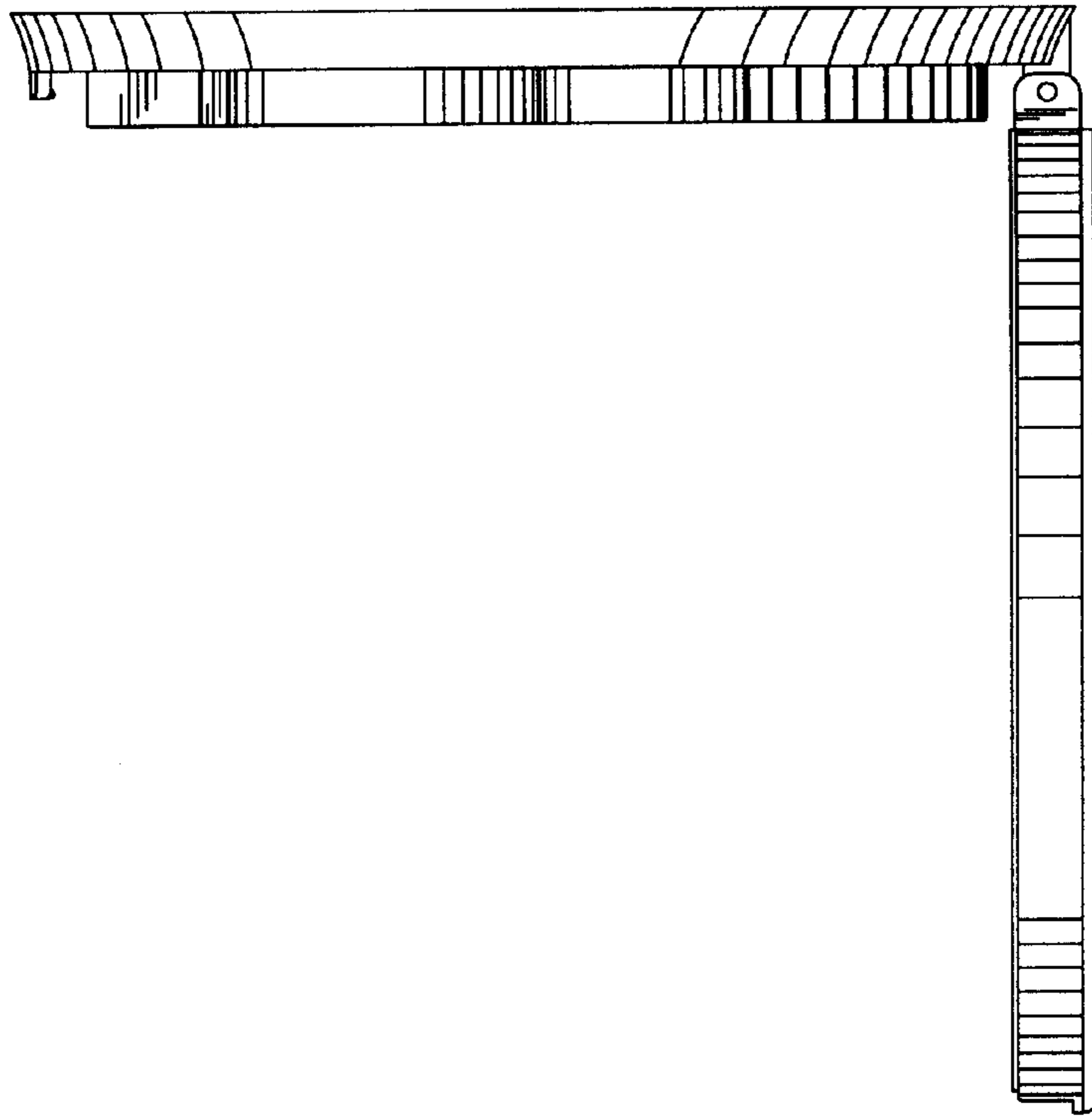


FIG. 5

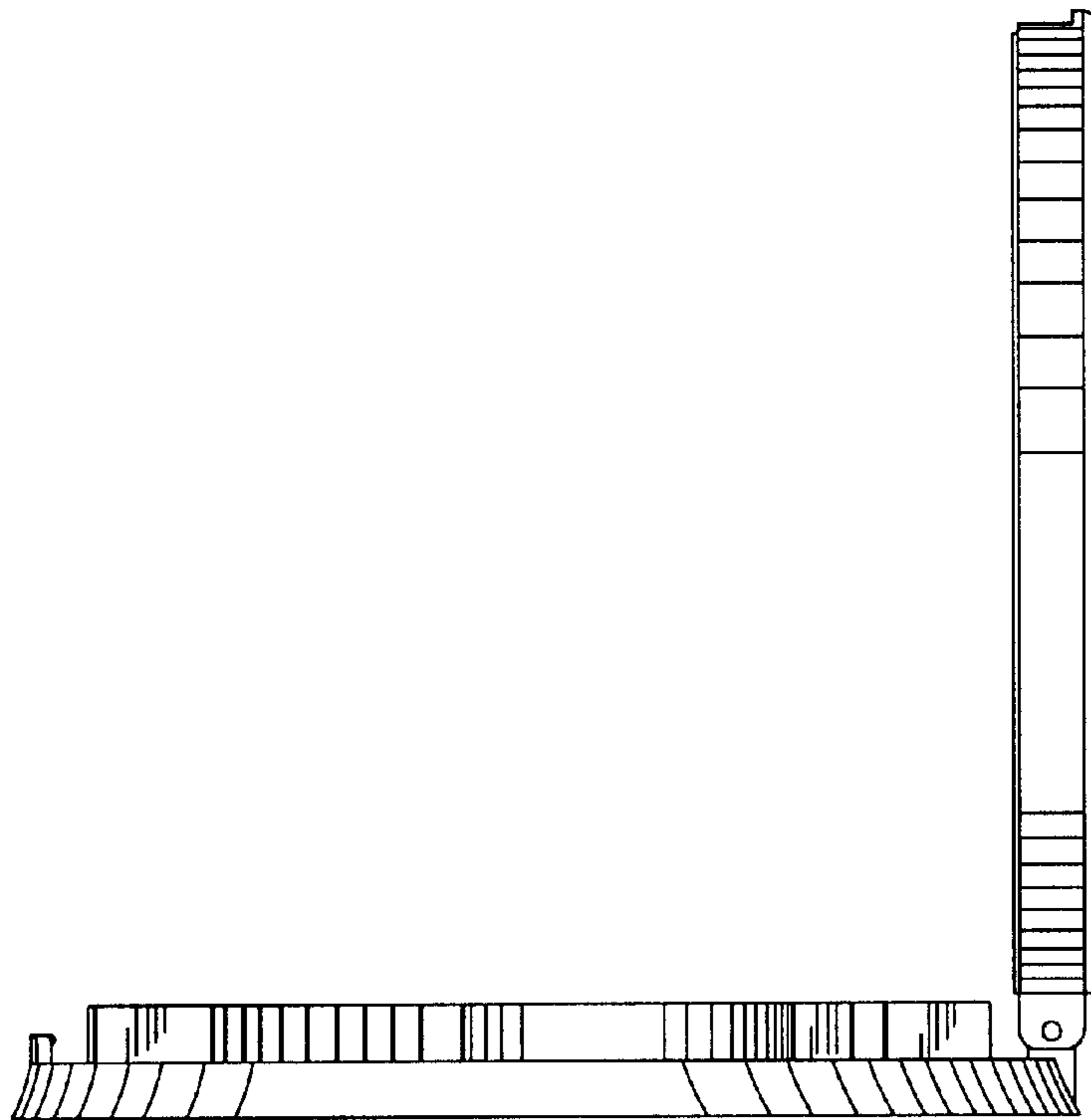


FIG. 4



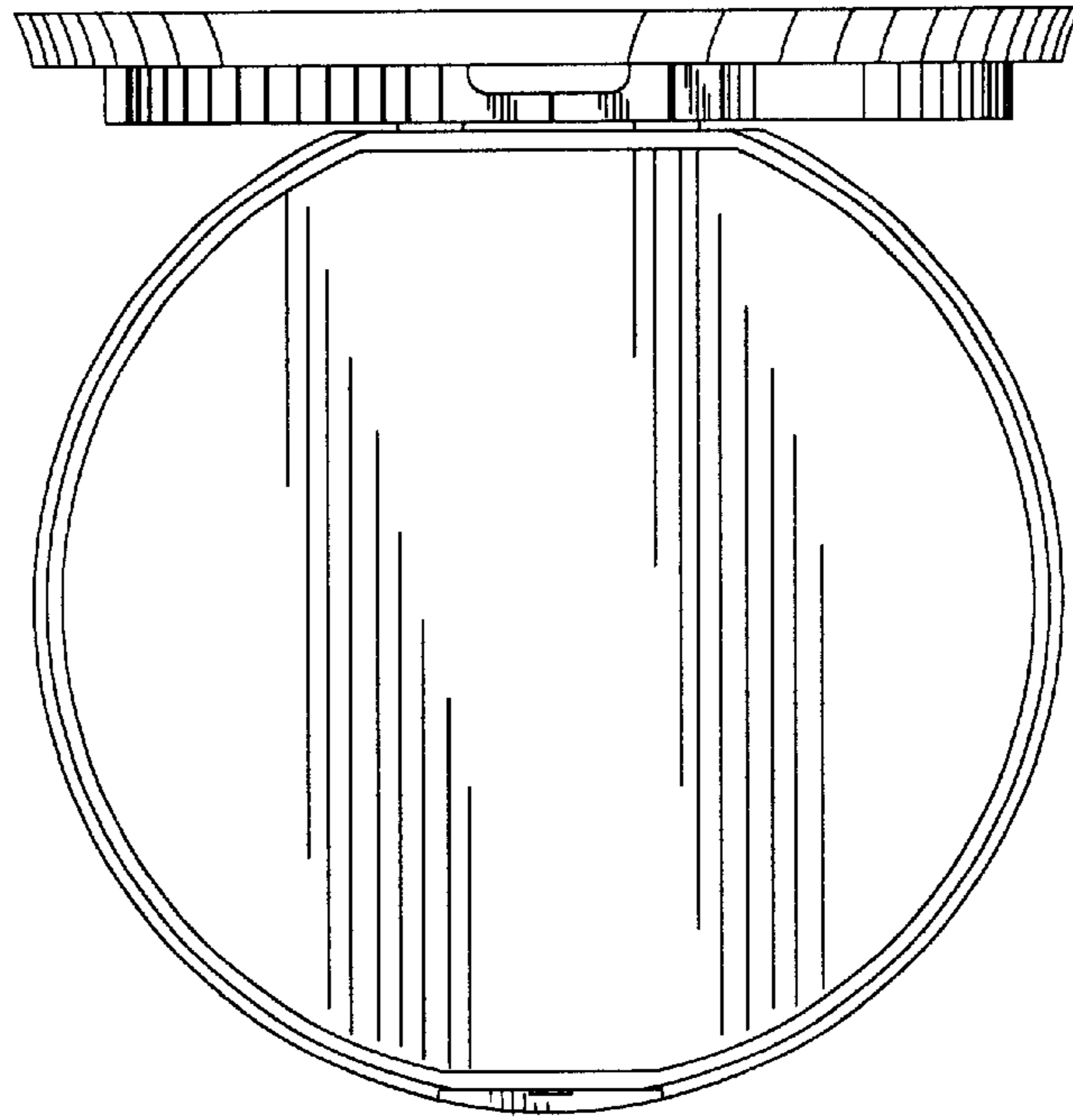


FIG. 6

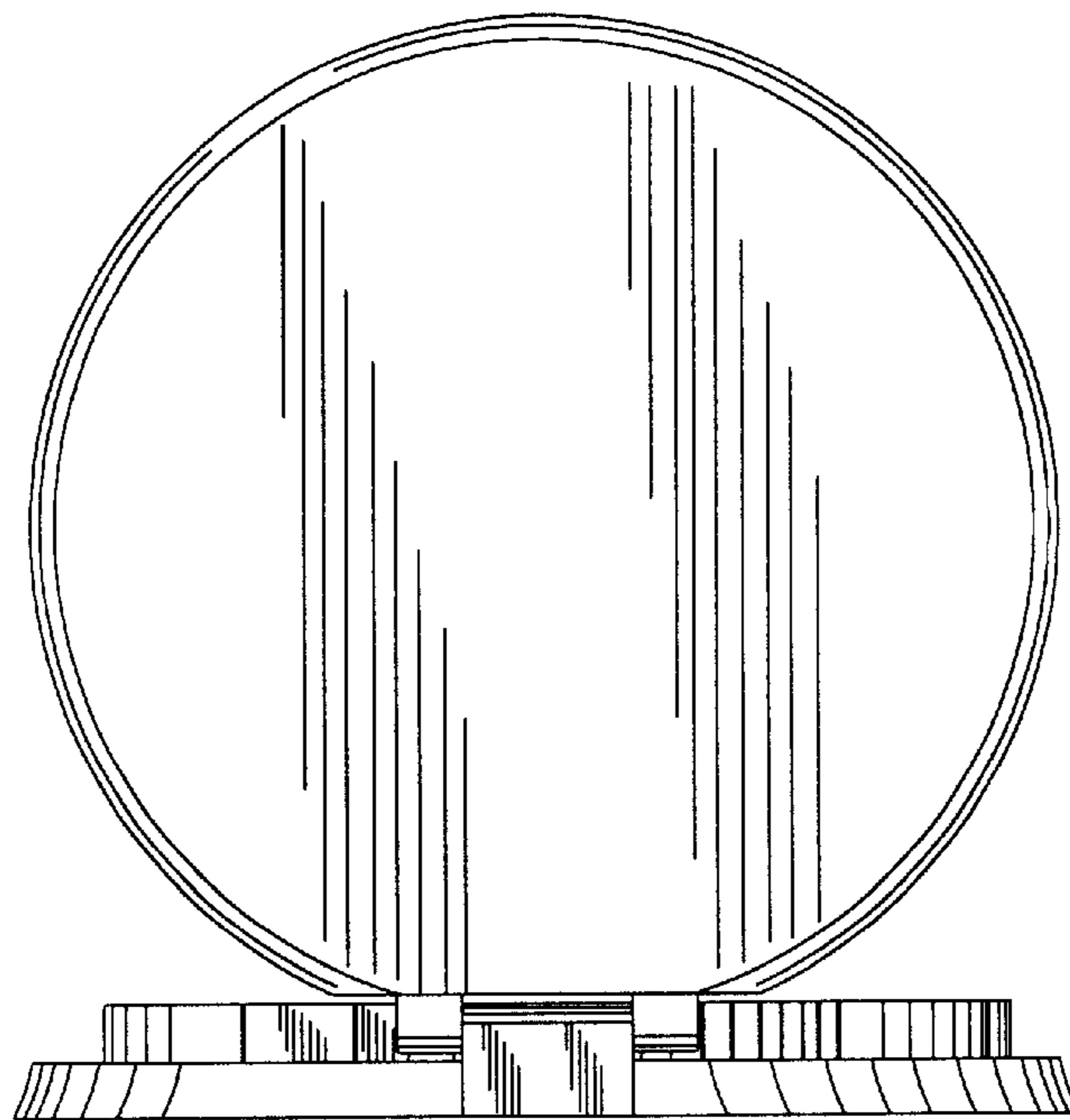


FIG. 7