



US00D478188S

(12) **United States Design Patent**
Turina

(10) **Patent No.:** **US D478,188 S**

(45) **Date of Patent:** **** Aug. 5, 2003**

(54) **NAIL FILE DEVICE**

(75) Inventor: **Ing Jan Turina**, Podebrady (CS)

(73) Assignee: **Euro Expo 3000, Inc.**, Pompano Beach, FL (US)

(**) Term: **14 Years**

(21) Appl. No.: **29/172,503**

(22) Filed: **Dec. 12, 2002**

Related U.S. Application Data

(62) Division of application No. 29/146,399, filed on Aug. 7, 2002, now Pat. No. Des. 471,672.

(51) **LOC (7) Cl.** **28-03**

(52) **U.S. Cl.** **D28/59**

(58) **Field of Search** D28/56, 57, 59;
132/73, 73.5, 73.6, 76.2, 76.4, 76.5; 451/540,
557

(56) **References Cited**

U.S. PATENT DOCUMENTS

1,402,061	A	*	1/1922	Fleece	30/280
1,852,667	A	*	4/1932	Neel	451/556
2,055,219	A	*	9/1936	Perrine	132/76.4
D134,292	S	*	11/1942	Lawson	D28/59
D135,984	S	*	7/1943	Wechsler	D28/59
3,298,381	A	*	1/1967	Adams	132/76.4
D257,182	S	*	9/1980	Brown	D28/59
D331,643	S	*	12/1992	Lunderman et al.	D28/59
D338,740	S	*	8/1993	Nguyen	D28/59
5,860,429	A	*	1/1999	Chang	132/73
D418,251	S	*	12/1999	Steege	D28/59

FOREIGN PATENT DOCUMENTS

CS 29370 * 2/2000 28/3

WO W 99/02064 * 1/1999 A45D/29/04
WO DM/053306 * 2/2000 28/3

* cited by examiner

Primary Examiner—Ted Shooman

Assistant Examiner—C. Tuttle

(74) *Attorney, Agent, or Firm*—David P. Lhota, Esq.;
Stearns Weaver Miller Weissler Alhadeff & Sitterson, P.A.

(57) **CLAIM**

The ornamental design for a nail file device, as shown and described herein.

DESCRIPTION

FIG. 1 is a top and front perspective view of a nail file device showing my new design, including shading for illustrating transparency and a rough surface;

FIG. 2 is a rear perspective view thereof;

FIG. 3 is a front elevational view thereof;

FIG. 4 is a rear elevational view thereof;

FIG. 5 is a side elevational view thereof;

FIG. 6 is a top end view thereof;

FIG. 7 is a bottom end view thereof;

FIG. 8 is a top and front perspective view of a second modified embodiment of my design;

FIG. 9 is a rear perspective view thereof;

FIG. 10 is a front elevational view thereof;

FIG. 11 is a rear elevational view thereof;

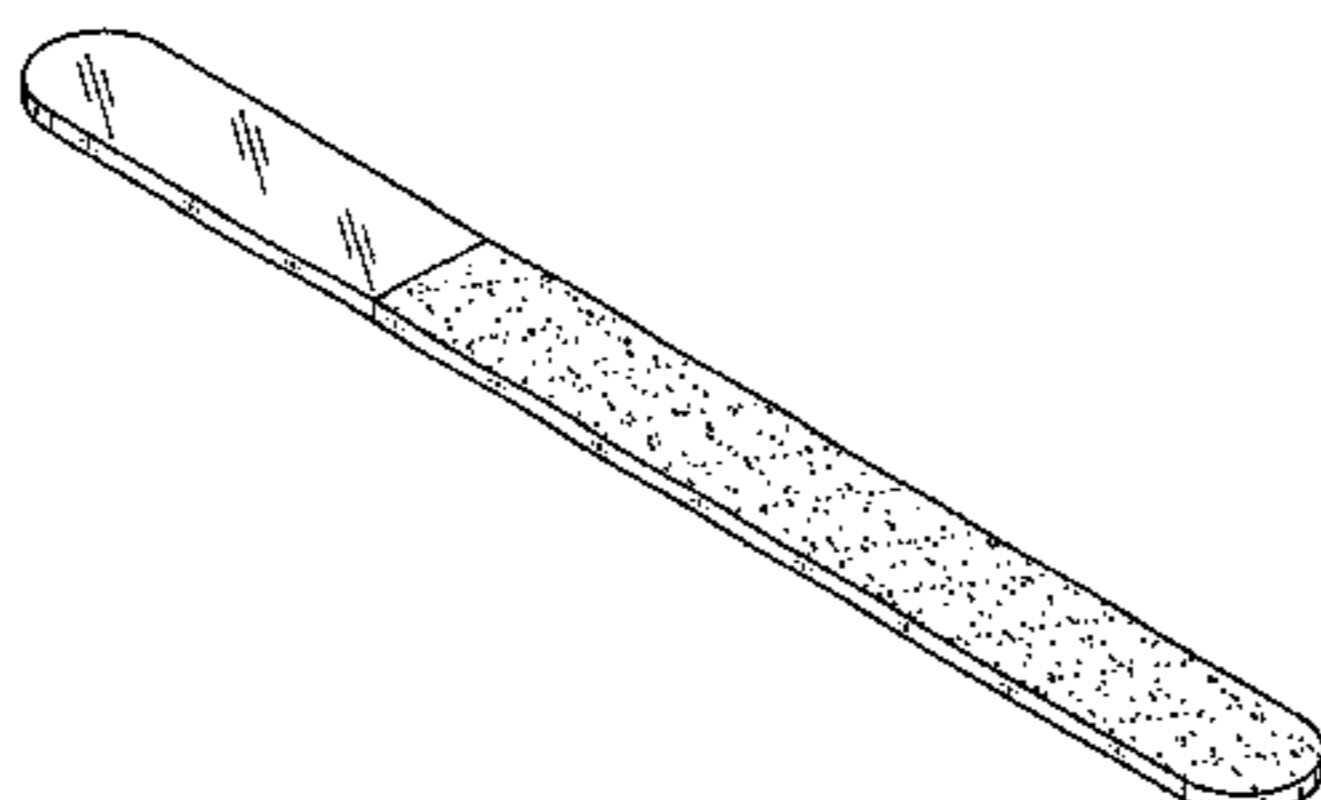
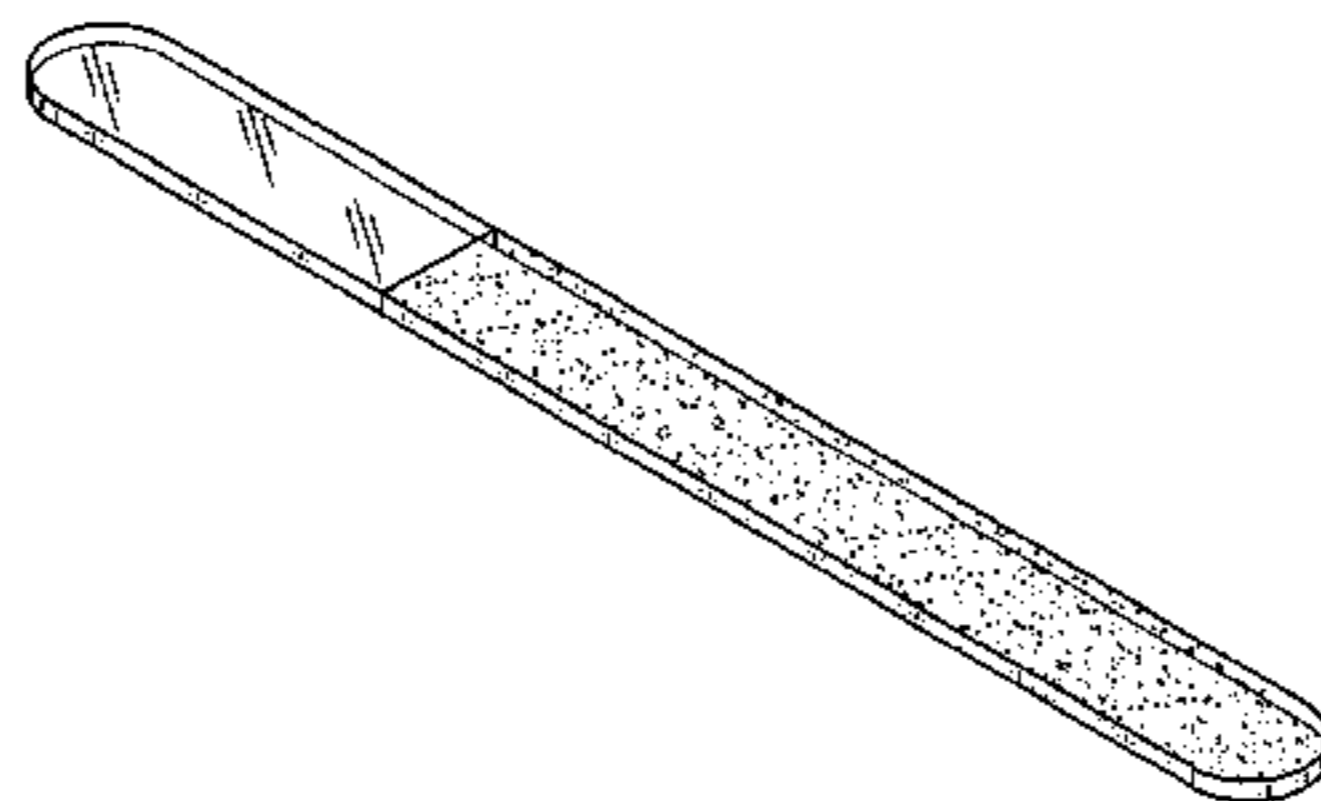
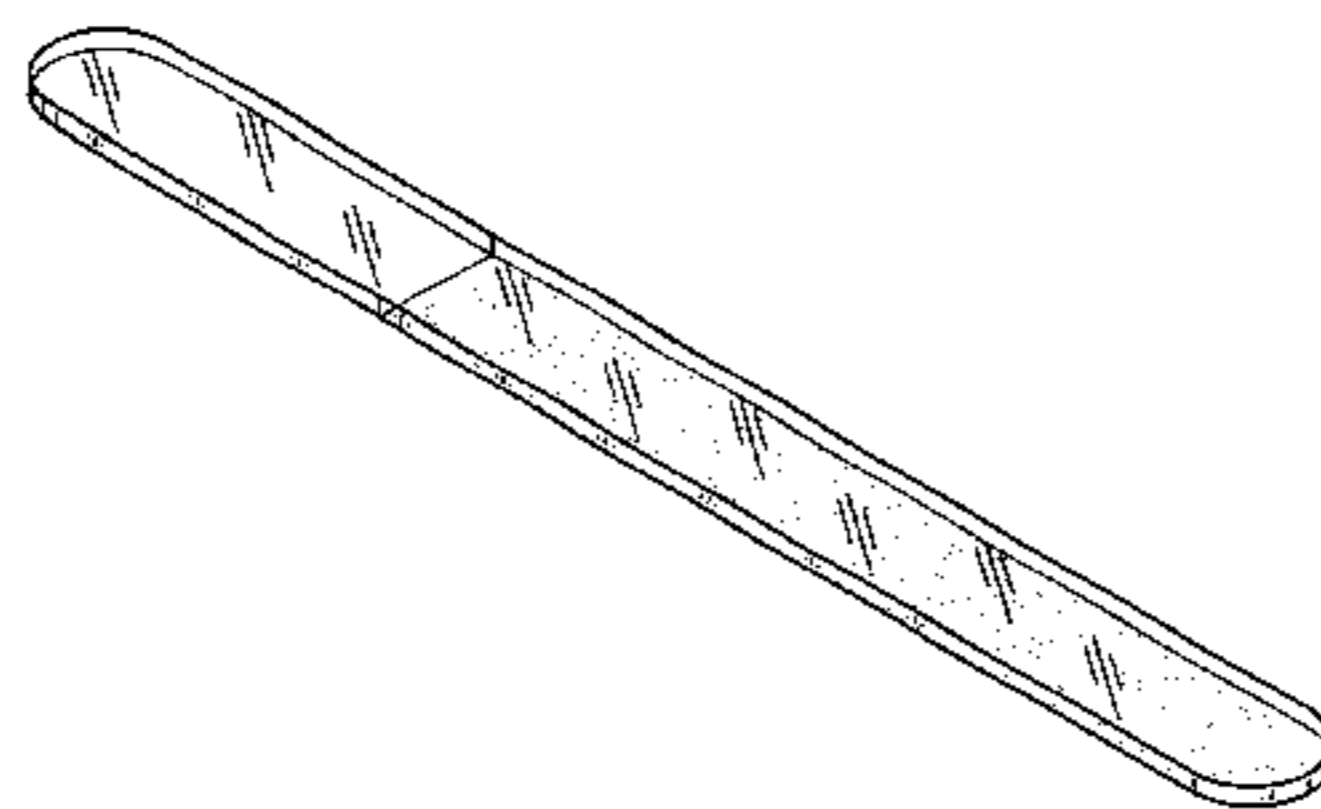
FIG. 12 is a side elevational view thereof;

FIG. 13 is a top and front perspective view of a third modified embodiment of my new design;

FIG. 14 is a rear elevational view thereof; and,

FIG. 15 is a side elevational view thereof.

1 Claim, 3 Drawing Sheets



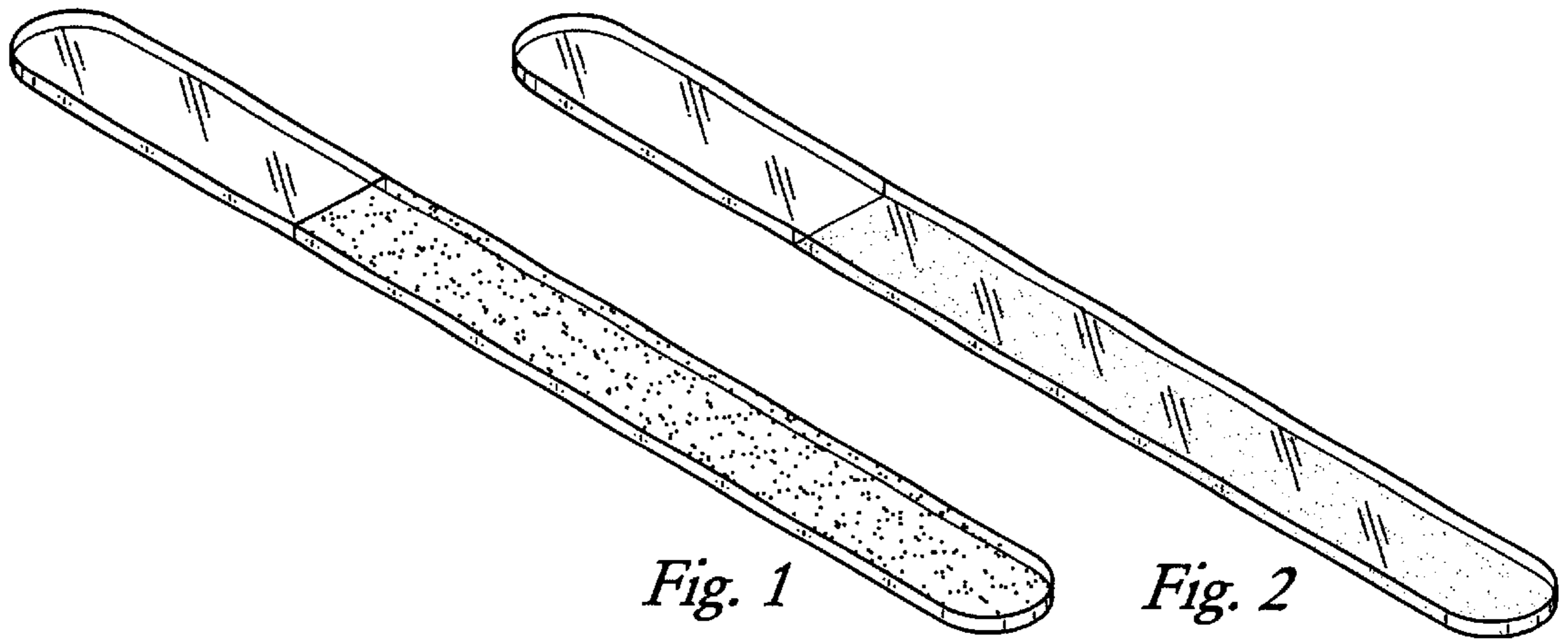


Fig. 1

Fig. 2



Fig. 3

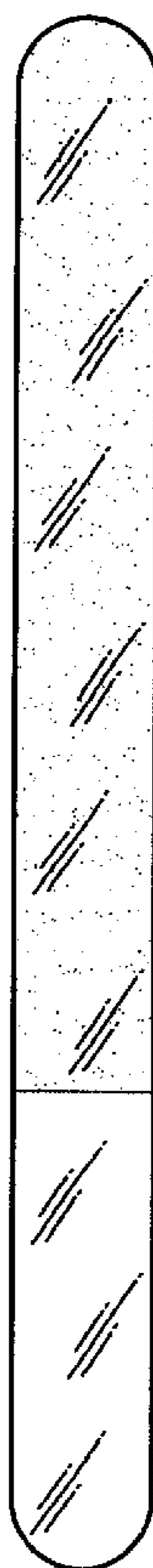


Fig. 4



Fig. 5



Fig. 6



Fig. 7

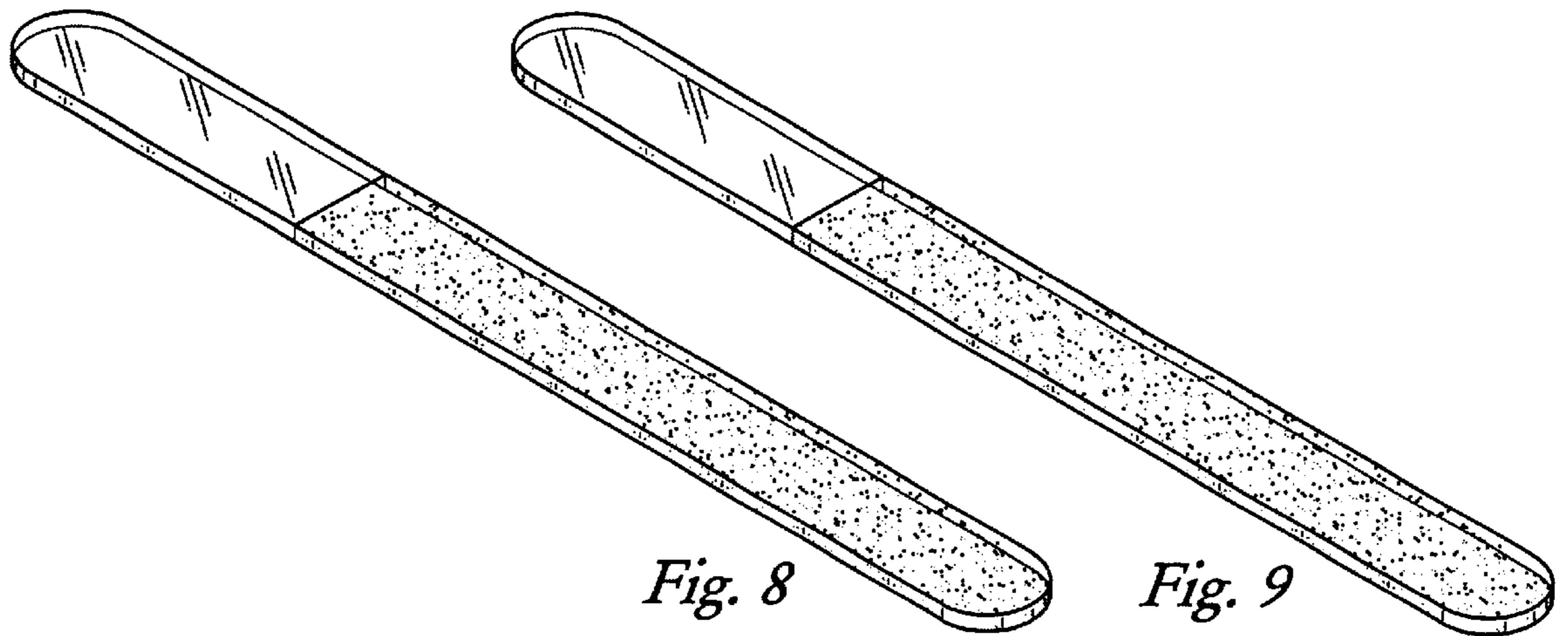


Fig. 8

Fig. 9

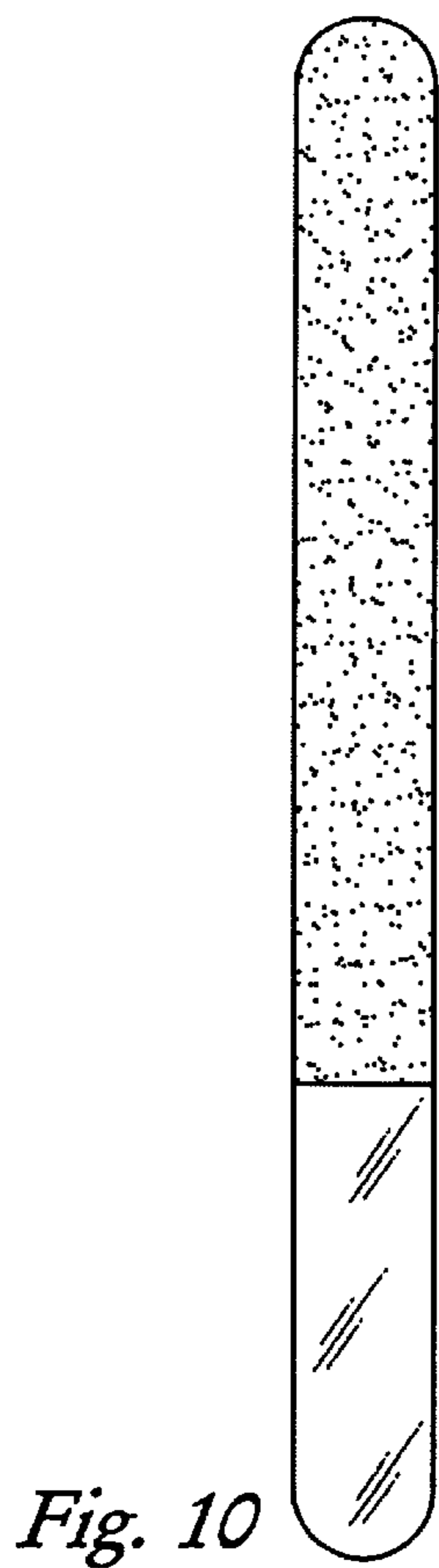


Fig. 10

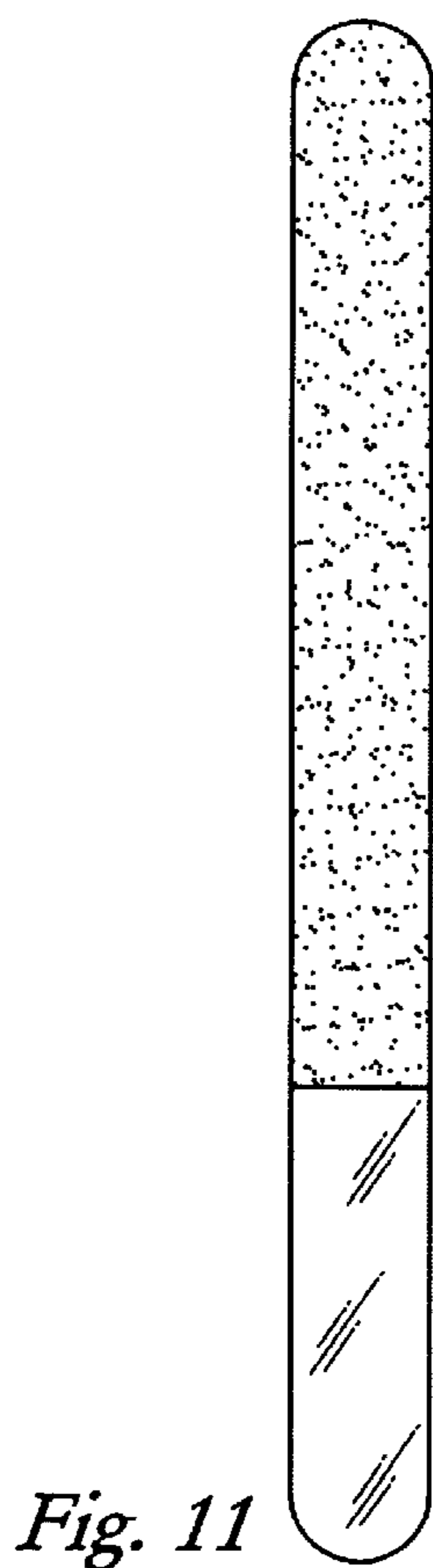


Fig. 11

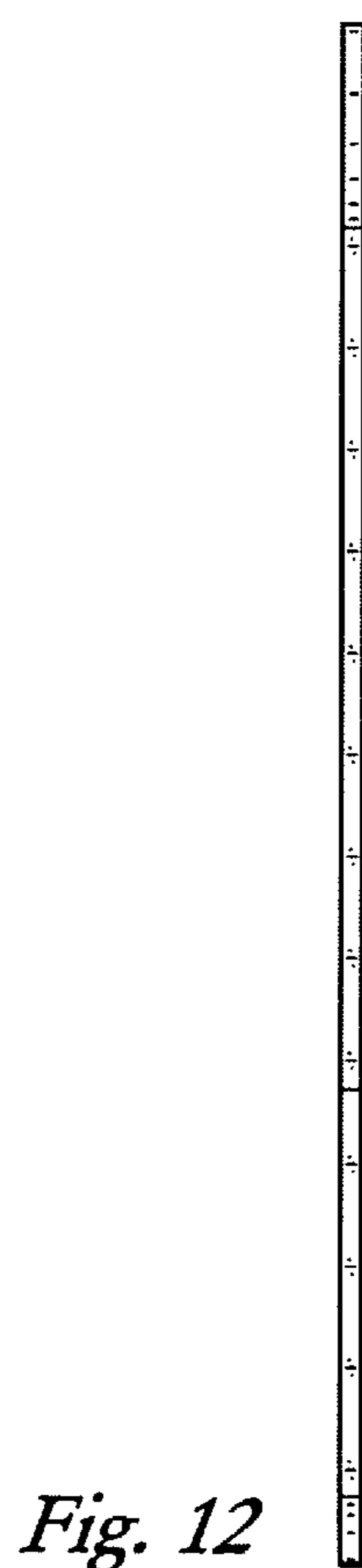


Fig. 12

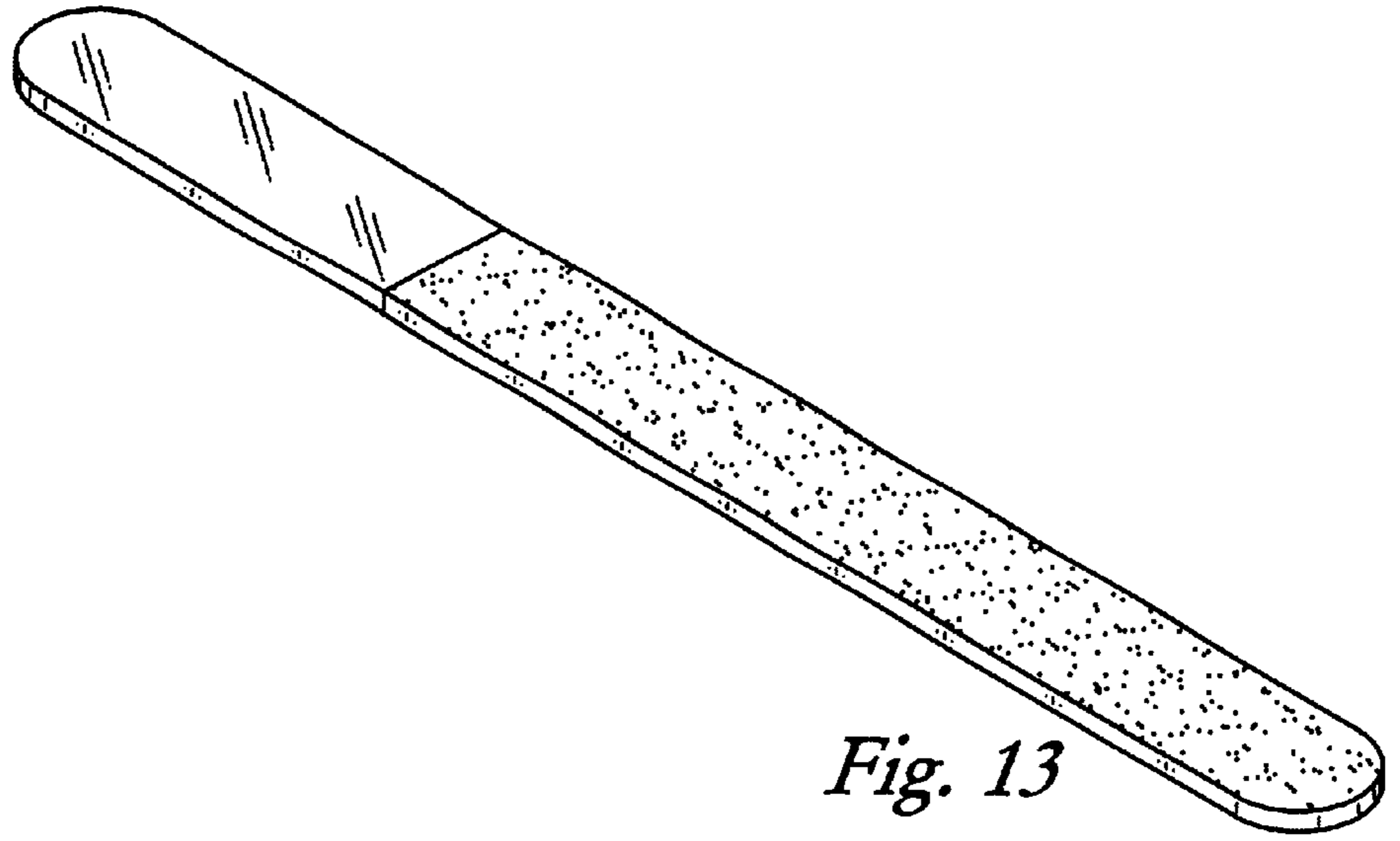


Fig. 13

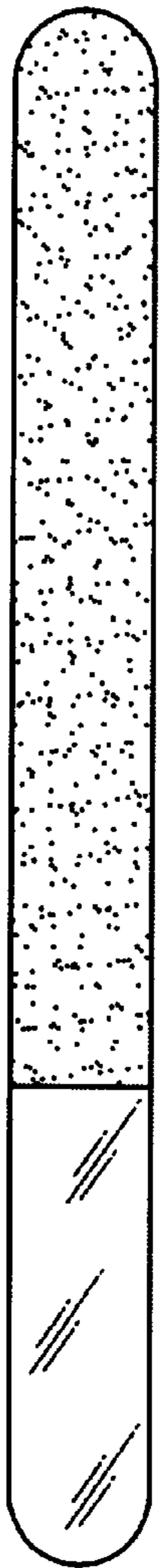


Fig. 14



Fig. 15