



US00D478184S

(12) **United States Design Patent**  
**DiPasquale et al.**

(10) **Patent No.:** **US D478,184 S**

(45) **Date of Patent:** **\*\* Aug. 5, 2003**

(54) **LANDSCAPE LIGHTING FIXTURE**

(75) Inventors: **Charles J. DiPasquale**, Argyle, TX (US); **Jerry S. C. Yang**, Taichung (TW)

(73) Assignee: **Smart Industries, Inc.**, Carrollton, TX (US)

(\*\*) Term: **14 Years**

(21) Appl. No.: **29/160,122**

(22) Filed: **May 3, 2002**

(51) **LOC (7) Cl.** ..... **26-05**

(52) **U.S. Cl.** ..... **D26/67; D6/72; D6/89**

(58) **Field of Search** ..... **D26/67-92; 362/153, 362/153.1, 159, 209, 266, 267, 269, 273, 363, 431, 432, 805**

(56) **References Cited**

**U.S. PATENT DOCUMENTS**

2,416,633	A	*	2/1947	MacFadden	.....	362/363
5,782,554	A	*	7/1998	Huang	.....	362/363
D457,978	S	*	5/2002	Cheong	.....	D26/67
D461,577	S	*	8/2002	Cheong	.....	D26/67

**OTHER PUBLICATIONS**

riverhousetraders.com/item #AN/69863—"Artworks Onion Wall Lantern". Apr. 14, 2003.\*  
AUTHENTIC DESIGNS' 2002 catalog, p. 26, item G-101. Found online at Google's catalog archives.\*

COHASSET COLONIALS' Winter 2003 Catalog, p. 26, item 49C—"Onion Glass Lantern". Found online at Google's catalog archives.\*

HERITAGE LANTERNS' 2002 catalog dated Jan. 7, 2002. p. 20, items B202AC and B201PB. Found online at Google's catalog archives.\*

\* cited by examiner

*Primary Examiner*—Clare E. Heflin

(74) *Attorney, Agent, or Firm*—Dennis T. Griggs

(57) **CLAIM**

The ornamental design for a landscape lighting fixture, as shown and described.

**DESCRIPTION**

FIG. 1 is a front elevational view of a landscape lighting fixture showing my new design, the rear, left side and right side elevational views being a mirror image thereof;

FIG. 2 is a top plan view thereof;

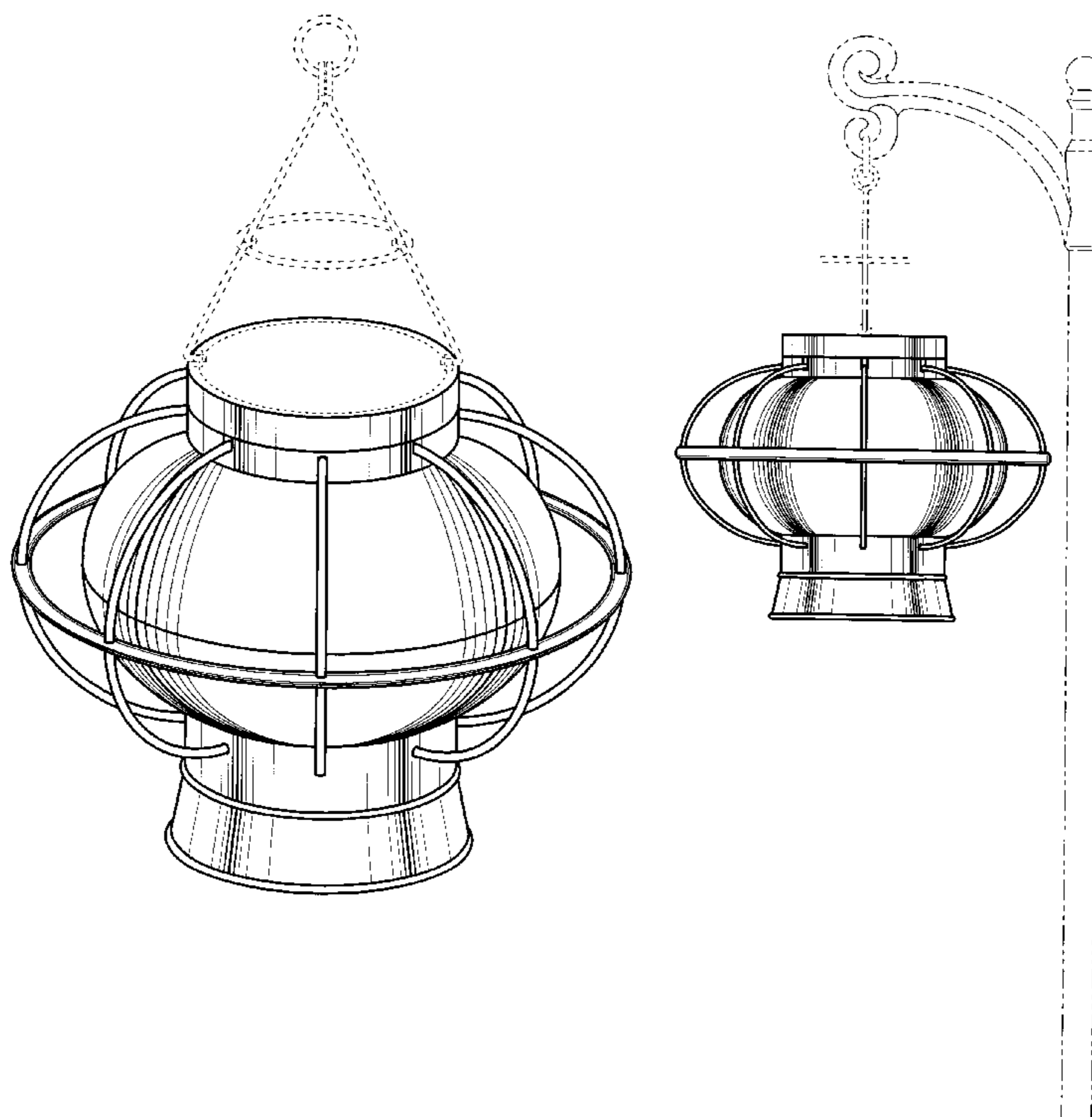
FIG. 3 is a bottom plan view thereof;

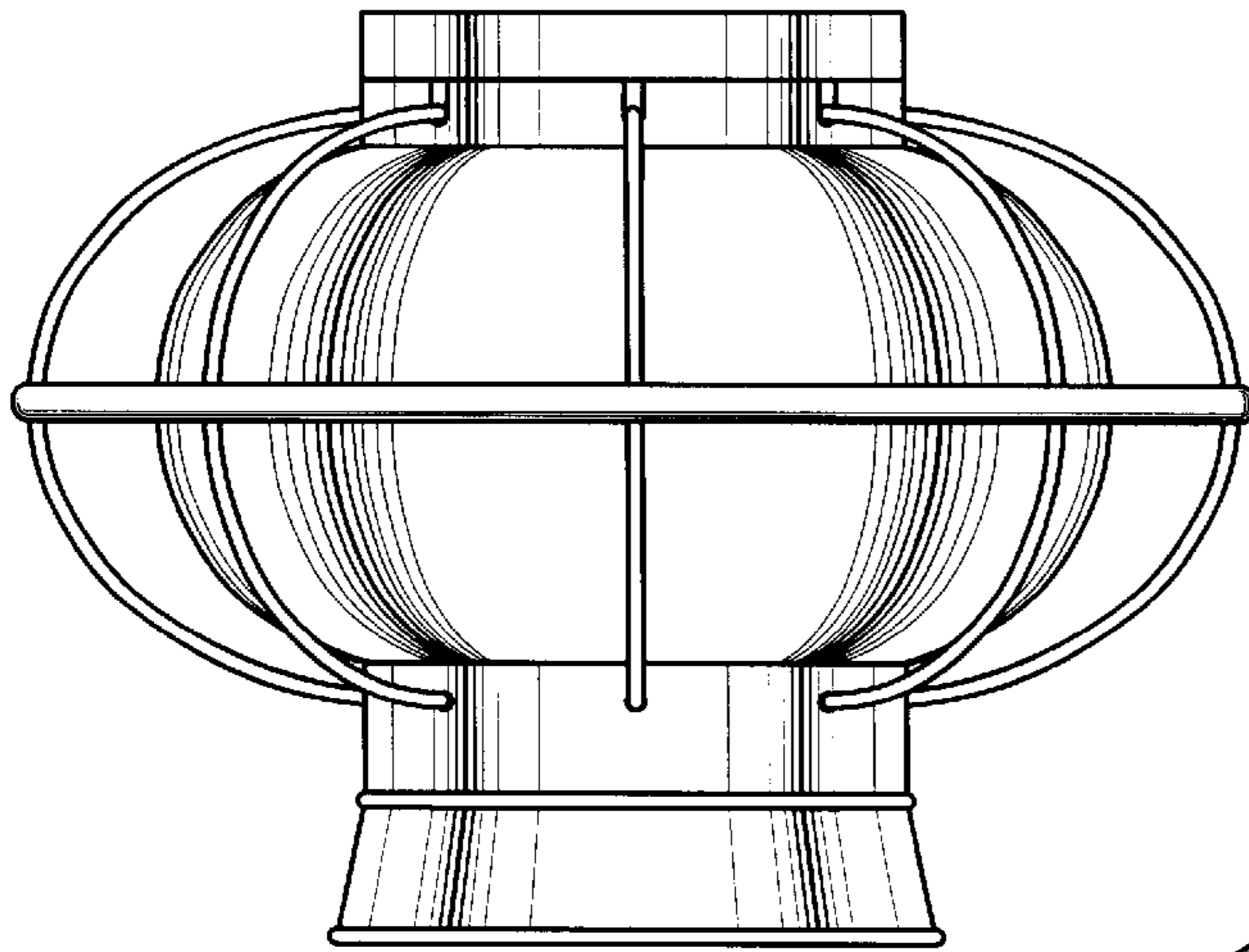
FIG. 4 is a perspective view thereof; and,

FIG. 5 is a front elevational view thereof.

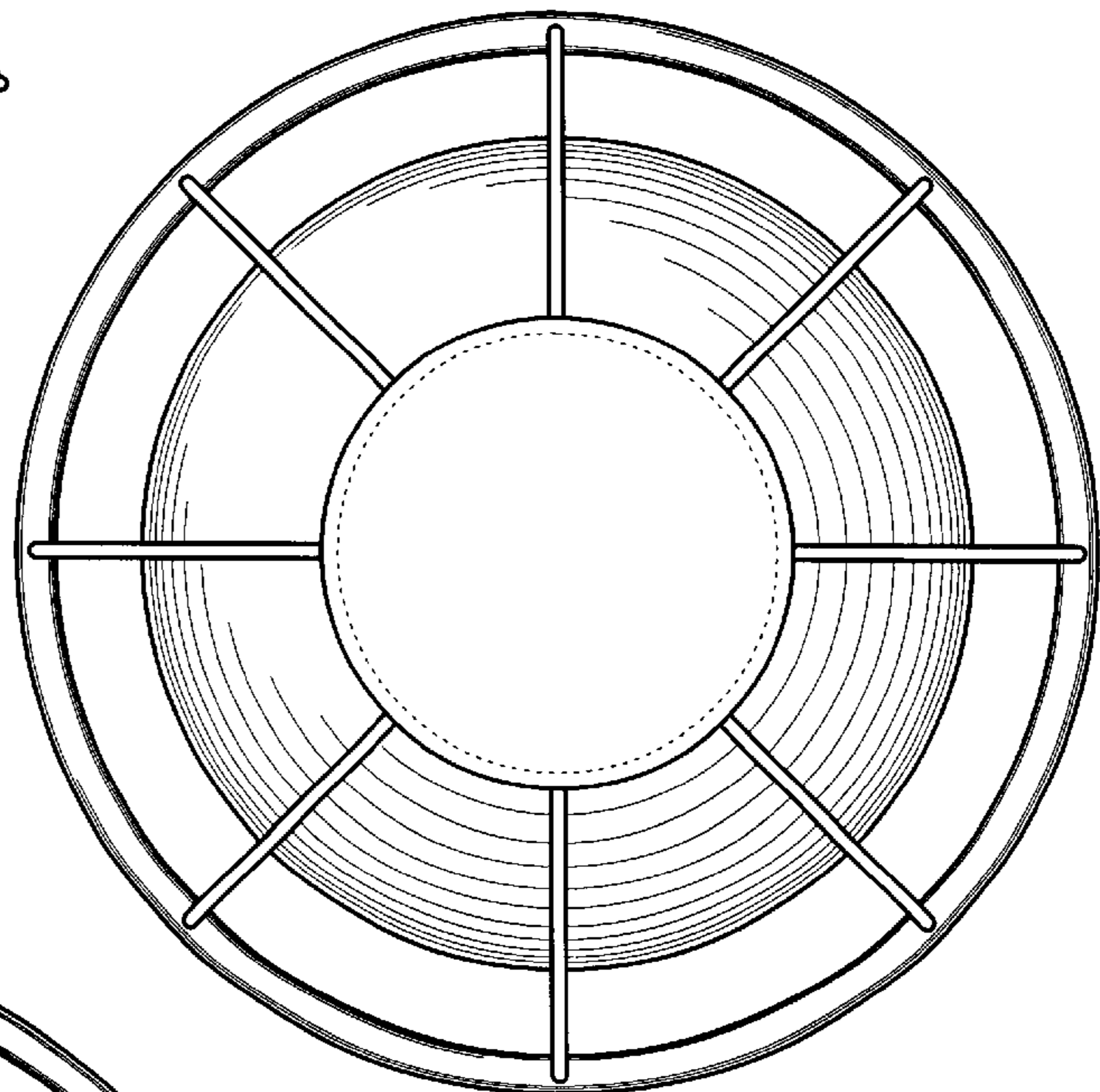
The broken lines shown in FIG. 4 and FIG. 5 represent environmental subject matter and form no part of the claimed design. The dotted lines shown in FIG. 2, FIG. 3 and FIG. 4 represent the border between claimed subject matter and unclaimed environmental subject matter and form no part of the claimed design.

**1 Claim, 2 Drawing Sheets**

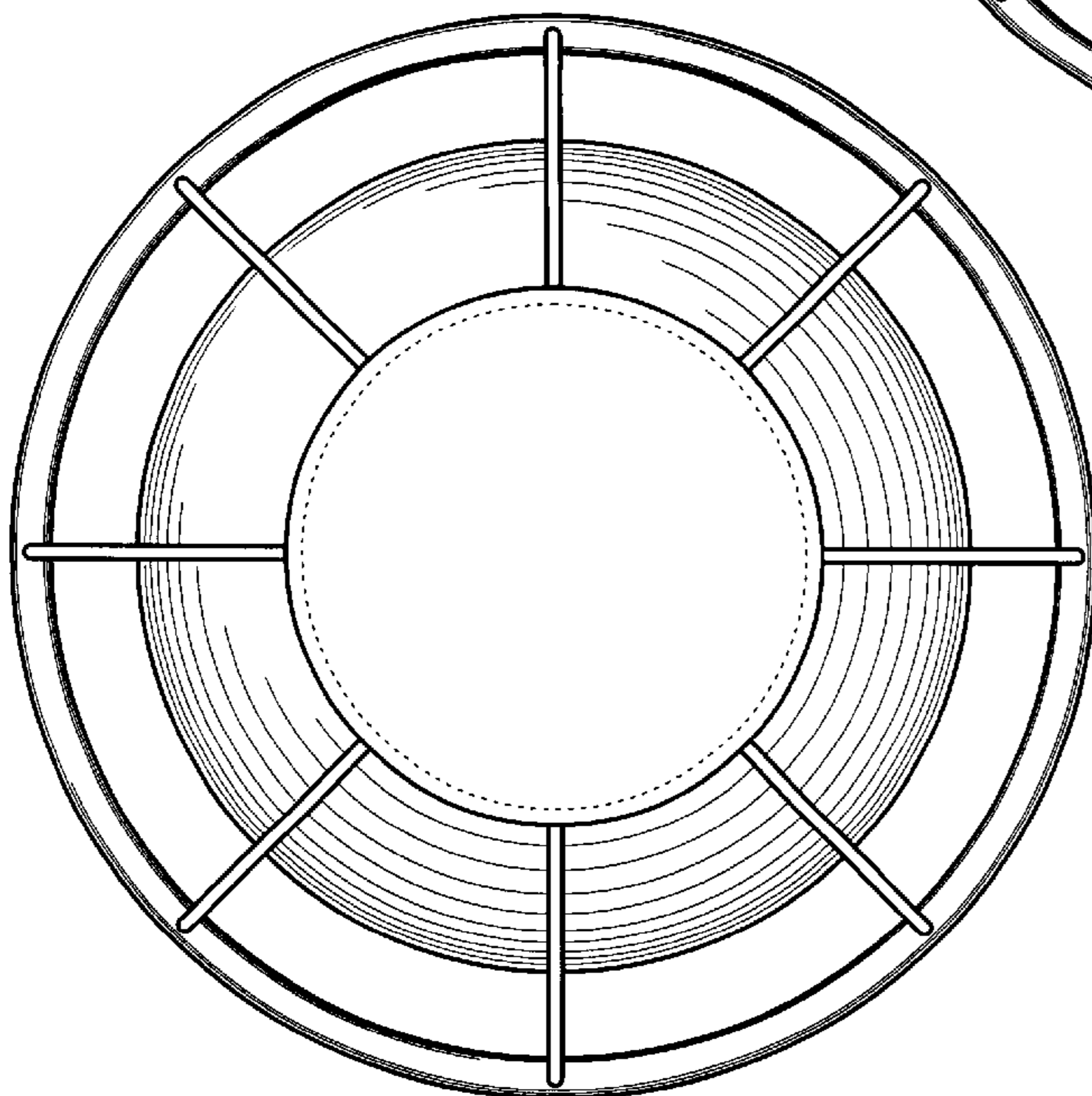




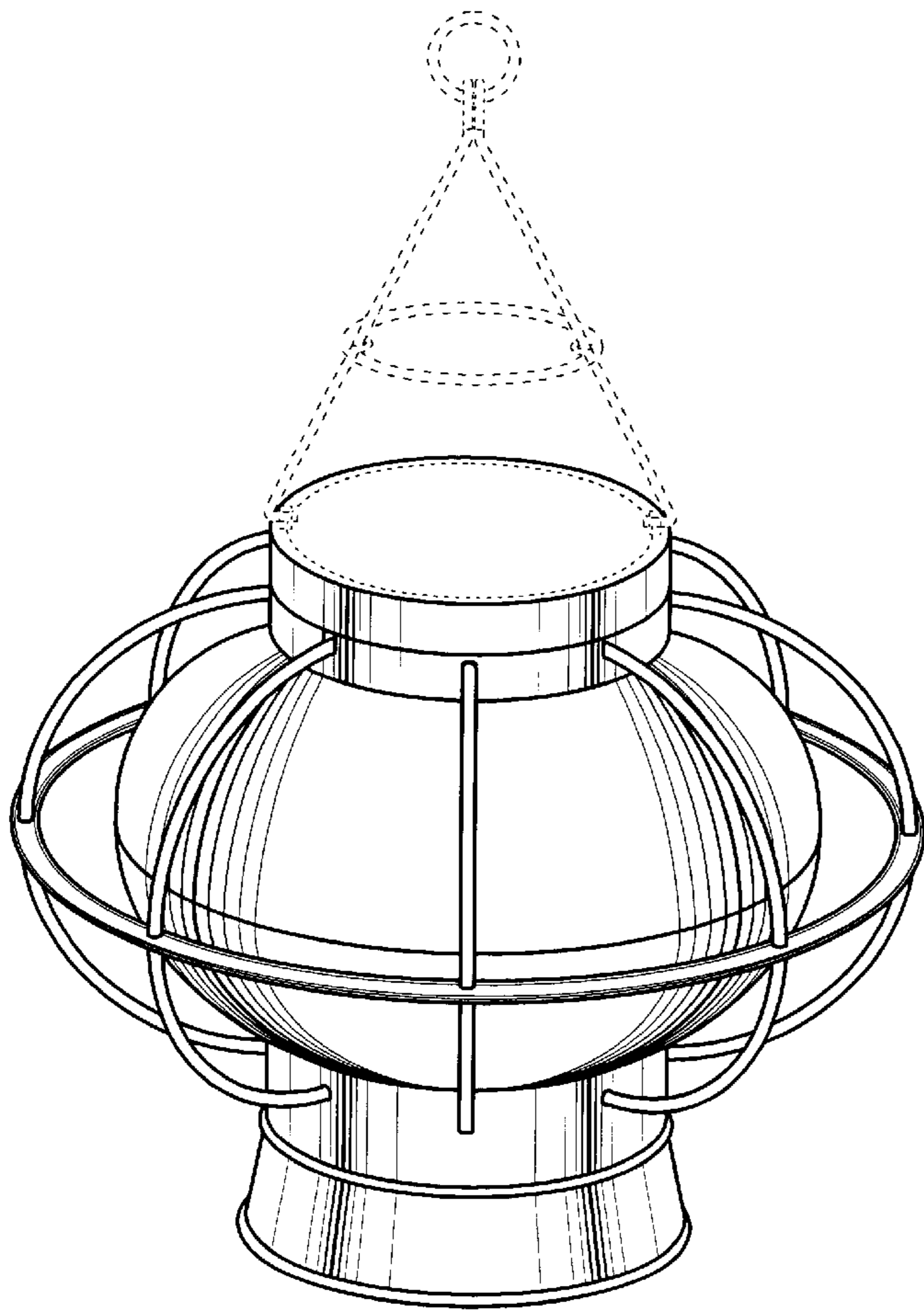
*Fig.1*



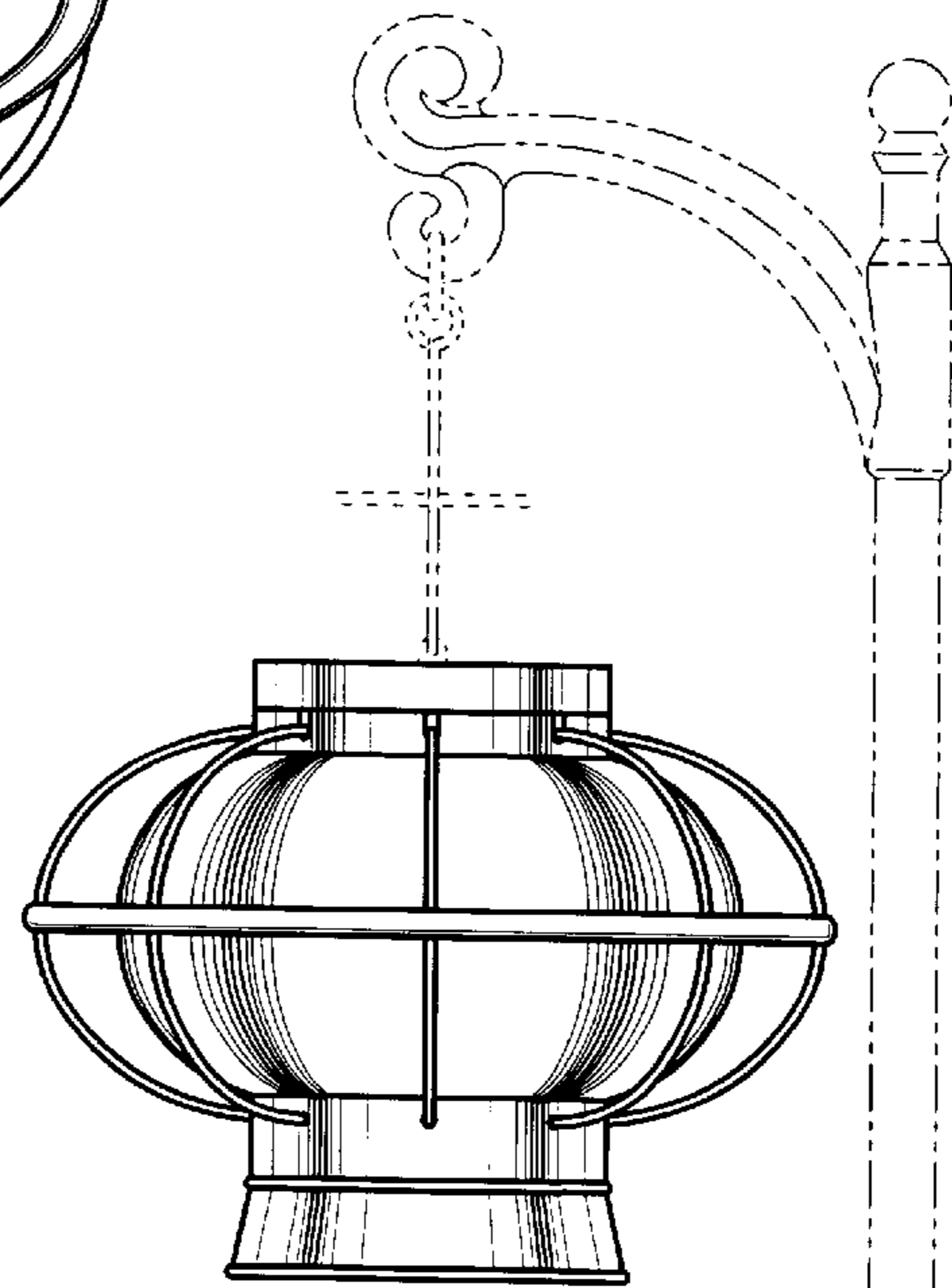
*Fig.2*



*Fig.3*



*Fig.4*



*Fig.5*