



US00D478182S

(12) **United States Design Patent**
Lin

(10) **Patent No.:** **US D478,182 S**

(45) **Date of Patent:** **** Aug. 5, 2003**

(54) **EXTERIOR SURFACE CONFIGURATION OF
A VEHICLE FRONT LIGHT**

Primary Examiner—Marcus A. Jackson
(74) *Attorney, Agent, or Firm*—Rosenberg, Klein & Lee

(76) **Inventor:** **Yu-Chu Lin**, No. 477, Chung Shan N.
Rd., Yung Kang City, Tainan Hsien
(TW)

(57) **CLAIM**

The ornamental design for an exterior surface configuration
of a vehicle front light, as shown and described.

(**) **Term:** **14 Years**

DESCRIPTION

(21) **Appl. No.:** **29/170,324**

FIG. 1 is a perspective view from the front right of an
exterior surface configuration of a vehicle front light show-
ing my present design;
FIG. 2 is a front view thereof;
FIG. 3 is a right view thereof; and,
FIG. 4 is a top view thereof.

(22) **Filed:** **Nov. 5, 2002**

(51) **LOC (7) Cl.** **26-04**

(52) **U.S. Cl.** **D26/28**

(58) **Field of Search** D26/28-36; 362/81,
362/82, 83, 83.4, 267, 269, 275

This design represents one embodiment of a design for an
exterior surface configuration of a vehicle front light. The
drawings and descriptions represent the right side embodi-
ment. The design also contemplates a mirror symmetrical
embodiment on the left side of the vehicle. The dash line
included denotes environment and is not part of the claimed
design.

(56) **References Cited**

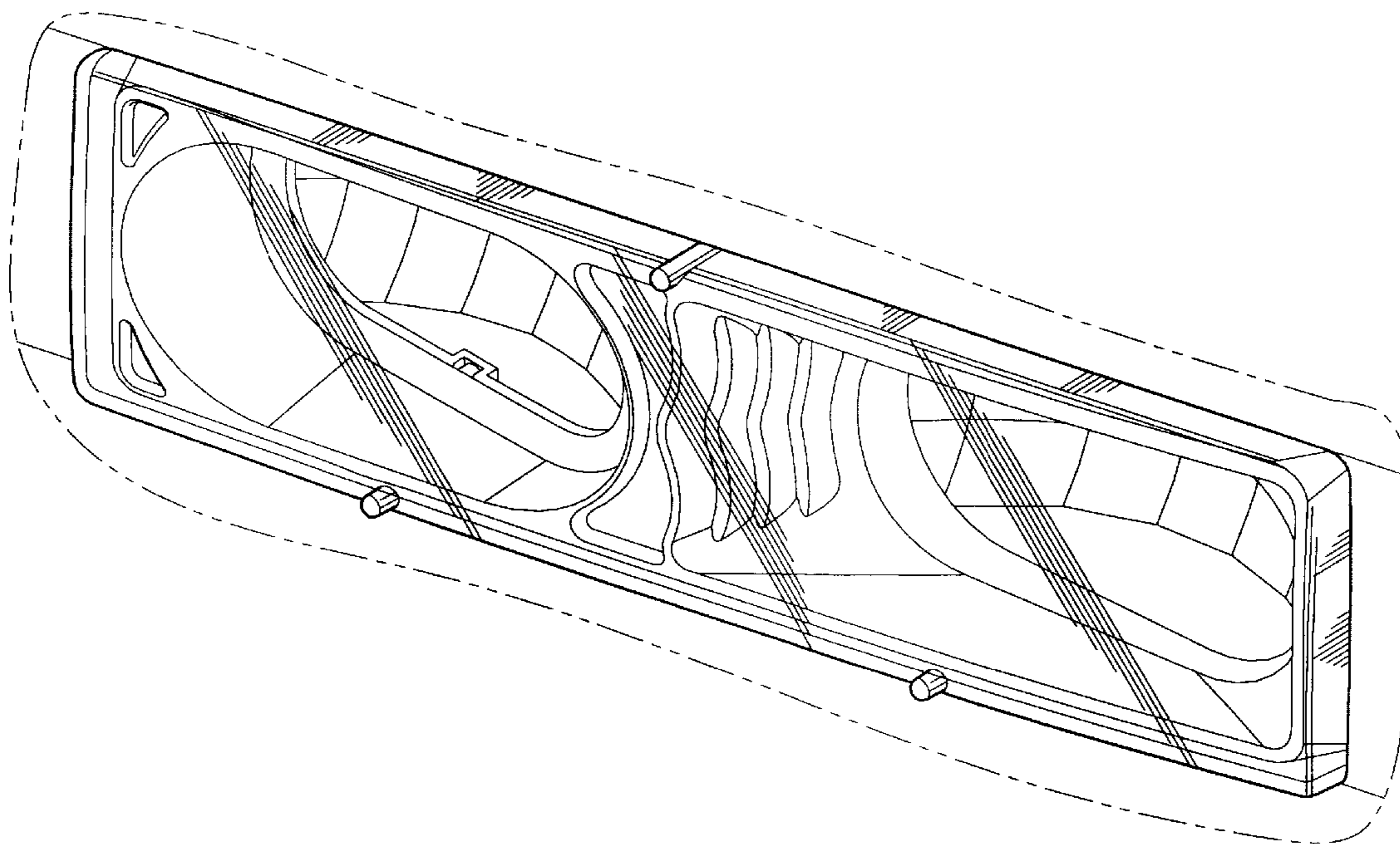
U.S. PATENT DOCUMENTS

D467,368 S * 12/2002 Lin D26/28

D469,894 S * 2/2003 Hsu D26/28

* cited by examiner

1 Claim, 4 Drawing Sheets



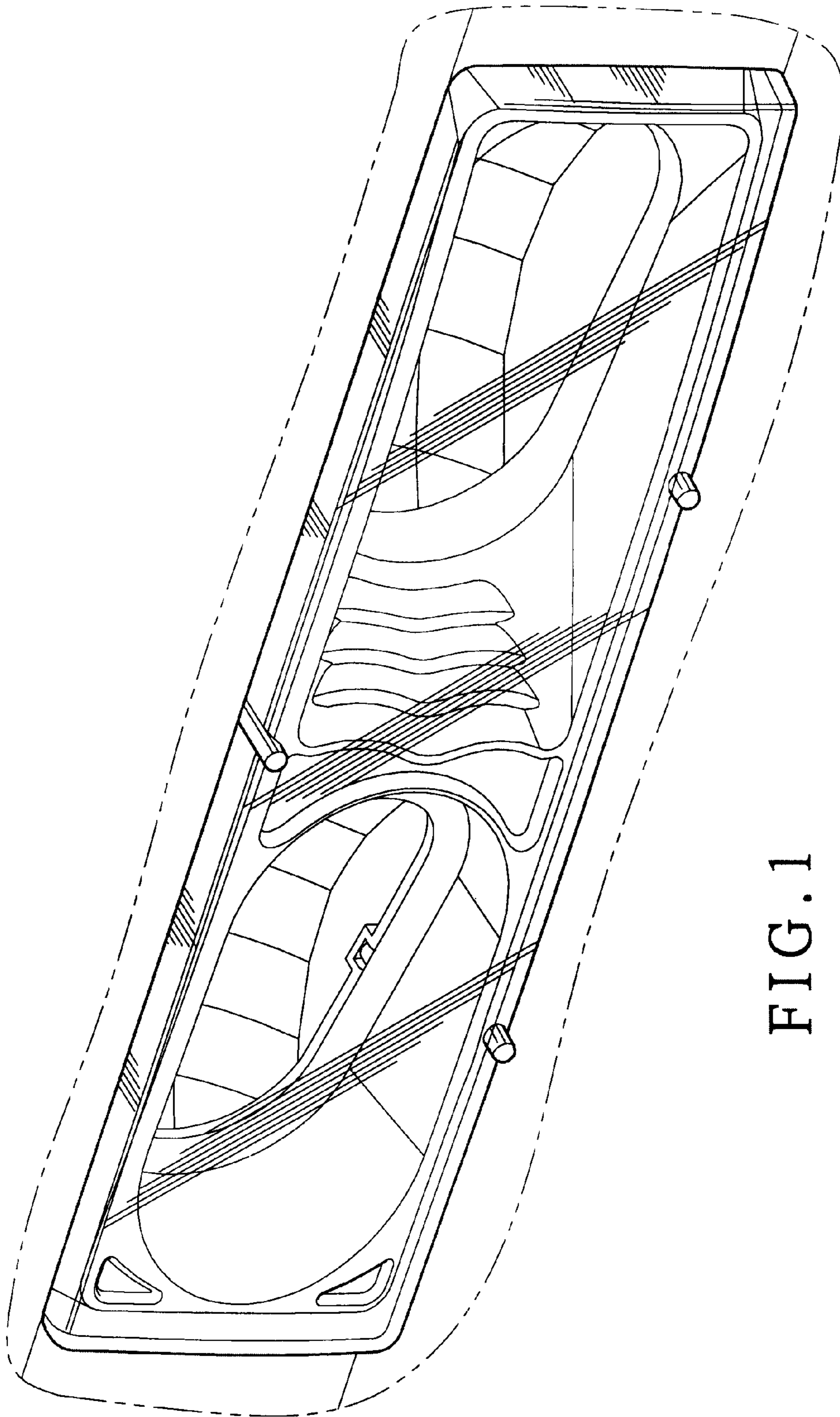


FIG. 1

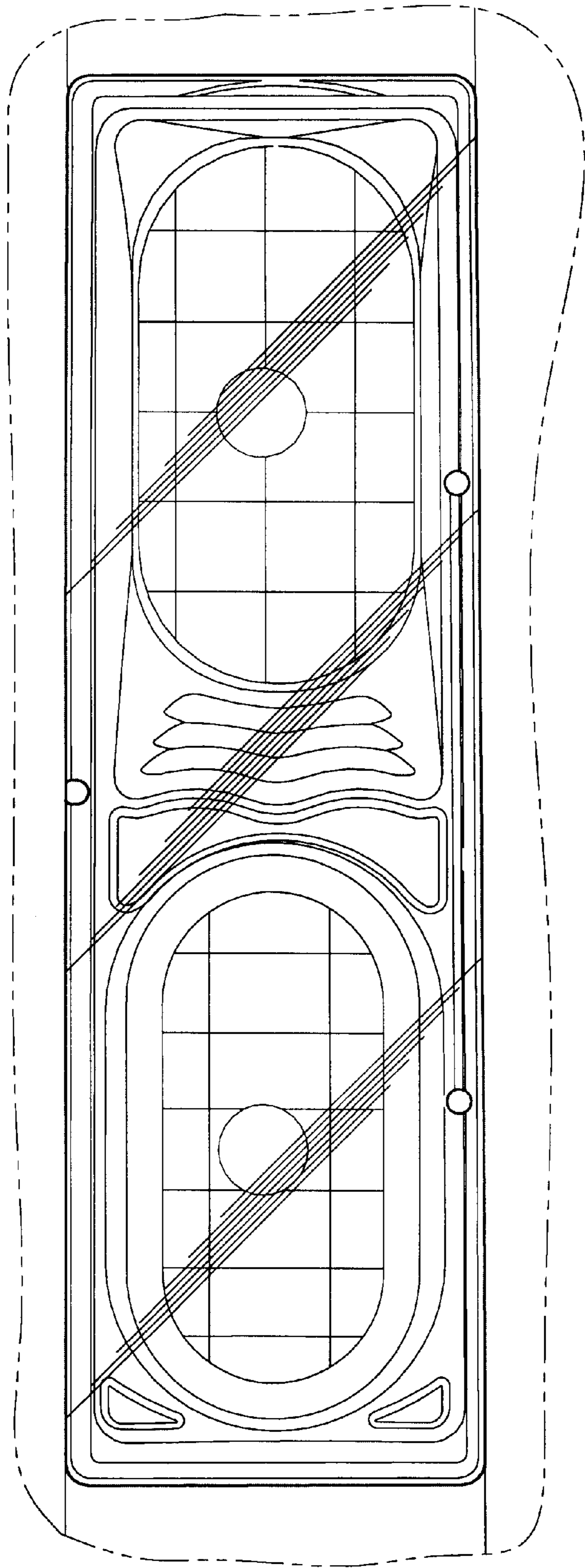


FIG. 2

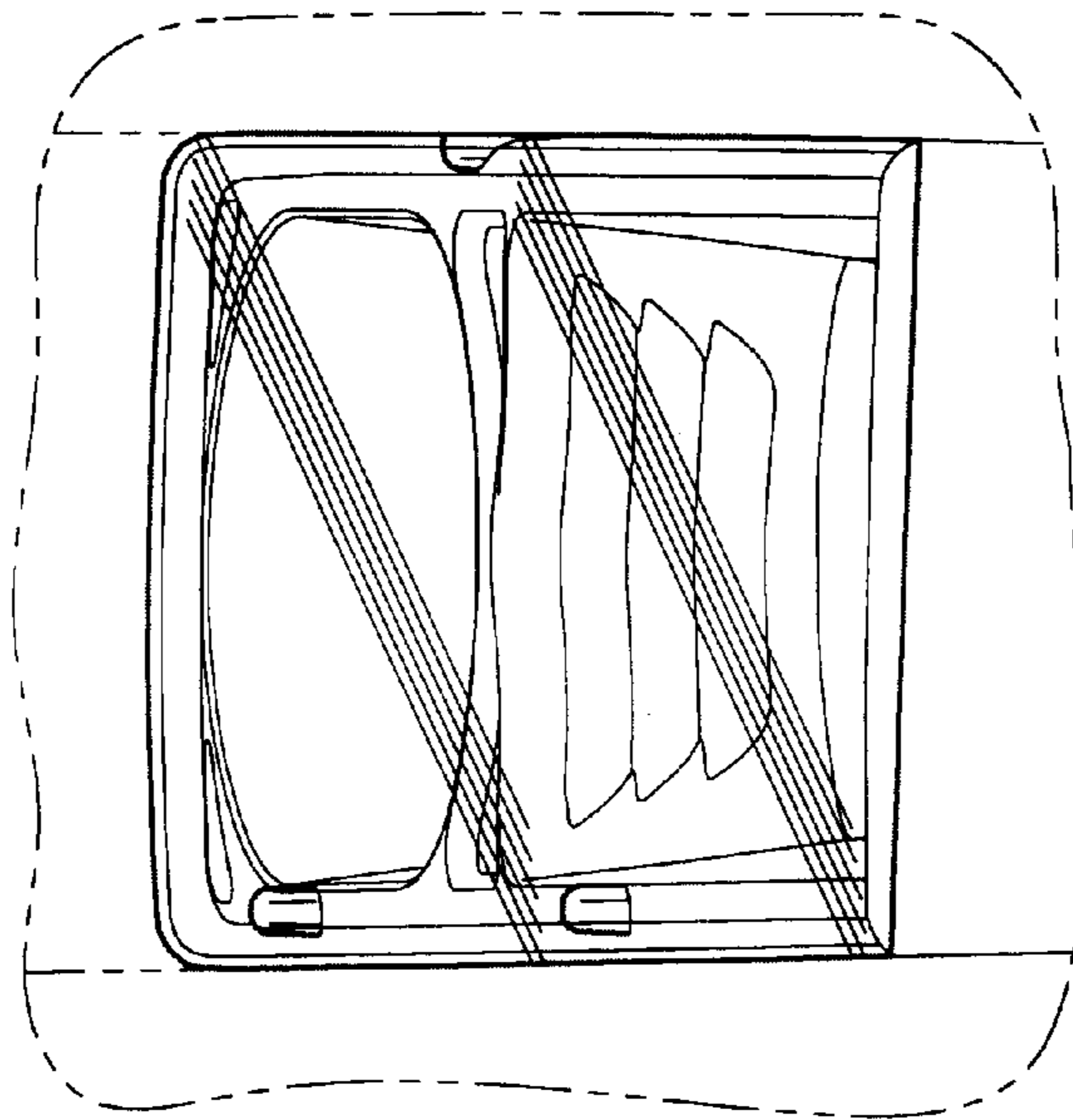


FIG. 3

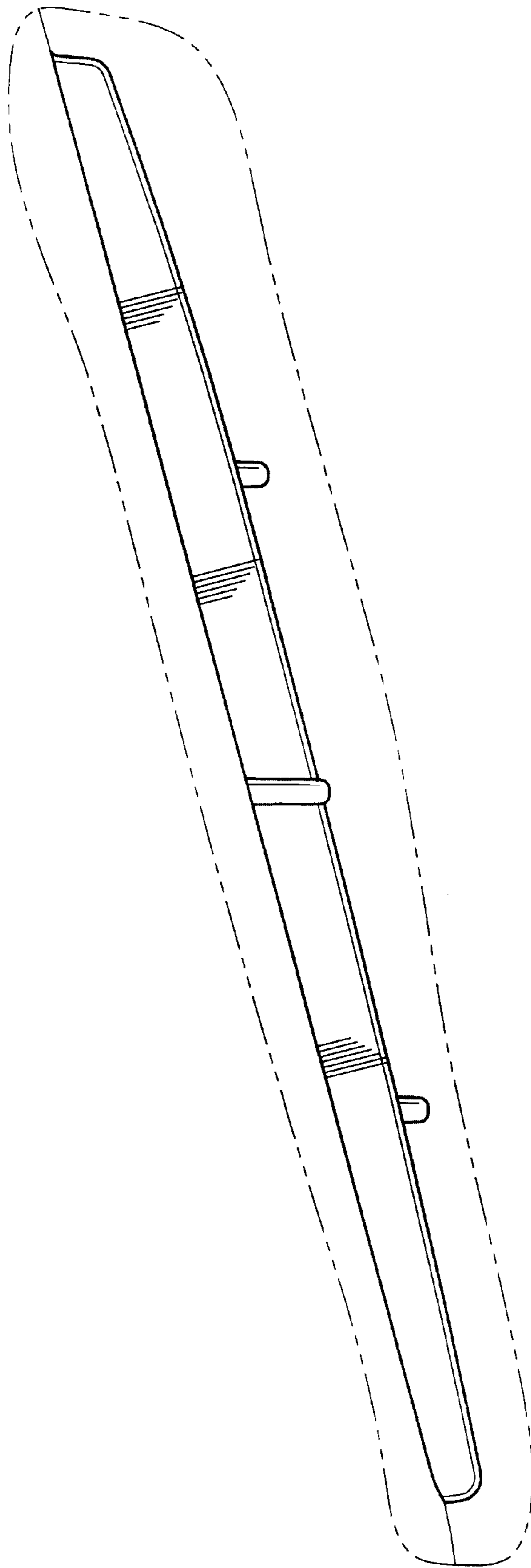


FIG. 4