



US00D478181S

(12) **United States Design Patent**
Hayashi

(10) **Patent No.:** **US D478,181 S**

(45) **Date of Patent:** **** Aug. 5, 2003**

(54) **HEADLIGHT**

(75) Inventor: **Keishi Hayashi**, Kanagawa (JP)

(73) Assignee: **Isuzu Motors Limited**, Tokyo (JP)

(**) Term: **14 Years**

(21) Appl. No.: **29/161,999**

(22) Filed: **Jun. 5, 2002**

(51) **LOC (7) Cl.** **26-04**

(52) **U.S. Cl.** **D26/28**

(58) **Field of Search** D26/28-36, 120,
D26/122; 362/61, 80, 81, 82, 83, 83.4,
267, 269, 275

(56) **References Cited**

U.S. PATENT DOCUMENTS

- D427,342 S * 6/2000 Hunter et al. D26/28
- D462,298 S * 9/2002 Sakae D26/28
- D463,873 S * 10/2002 Frasher et al. D26/28

* cited by examiner

Primary Examiner—Marcus A. Jackson

(74) *Attorney, Agent, or Firm*—Frommer Lawrence & Haug LLP; Grace L. Pan

(57) **CLAIM**

The ornamental design for a headlight, as shown.

DESCRIPTION

FIG. 1 is a front view of a headlight in accordance with the present invention as shown in the present design.

FIG. 2 is a rear view thereof;

FIG. 3 is a top plan view thereof;

FIG. 4 is bottom view thereof;

FIG. 5 is a right side view thereof;

FIG. 6 is a left side view thereof;

FIG. 7 is a perspective view of the front and right side of the headlight of FIG. 1; and,

FIG. 8 is a perspective view of the front and left side of the headlight of FIG. 1.

1 Claim, 4 Drawing Sheets

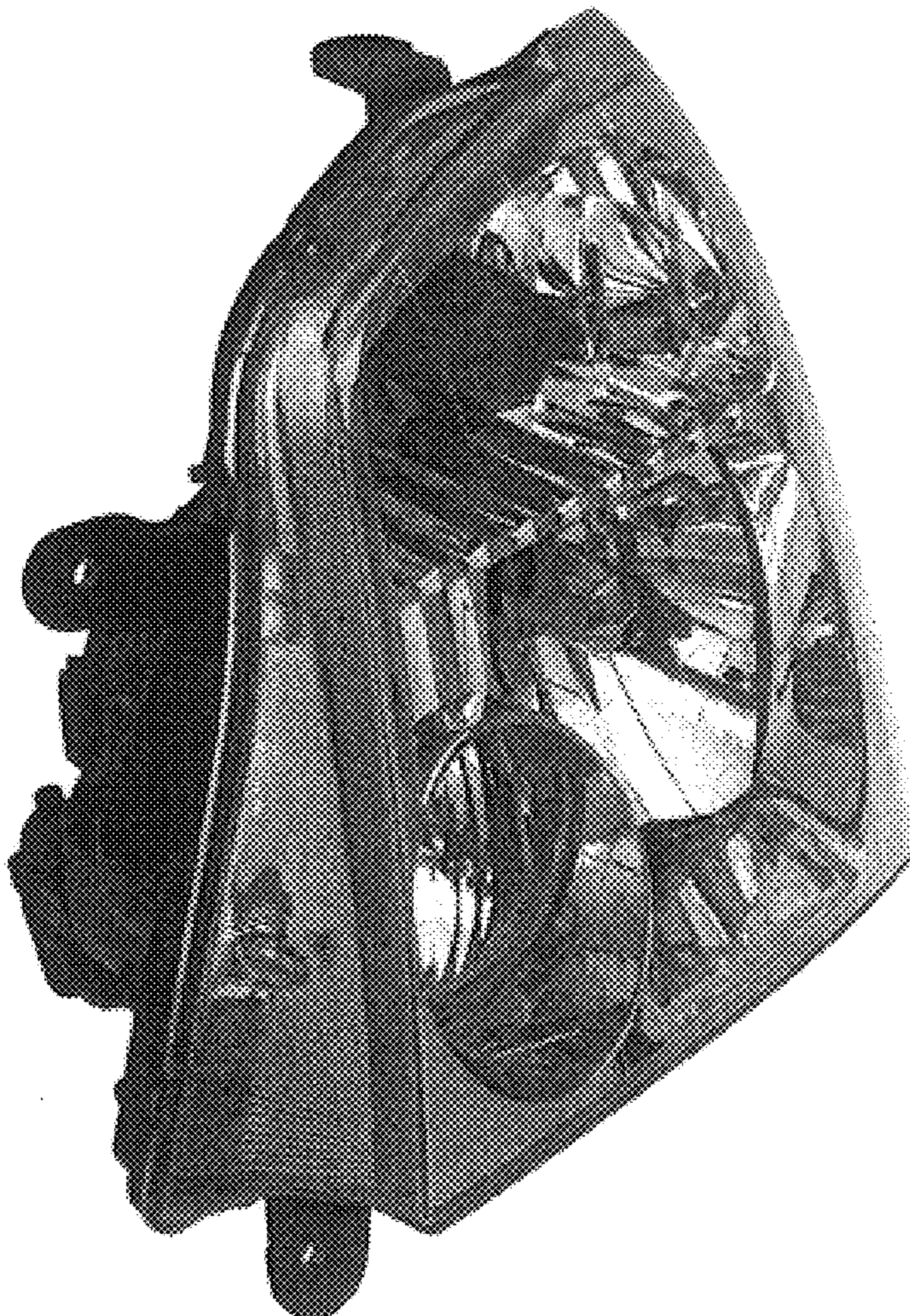


Fig. 1

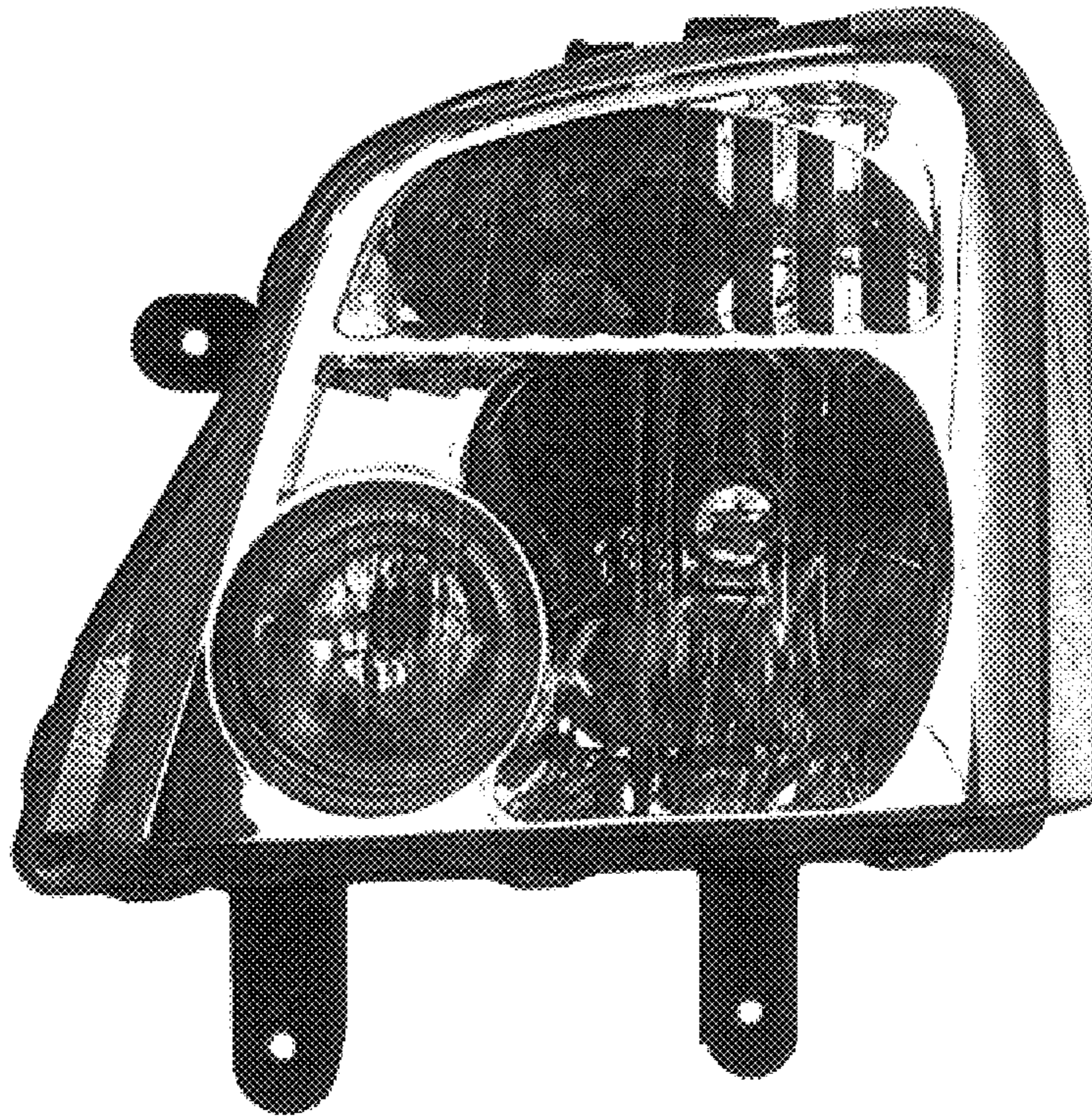


Fig. 2

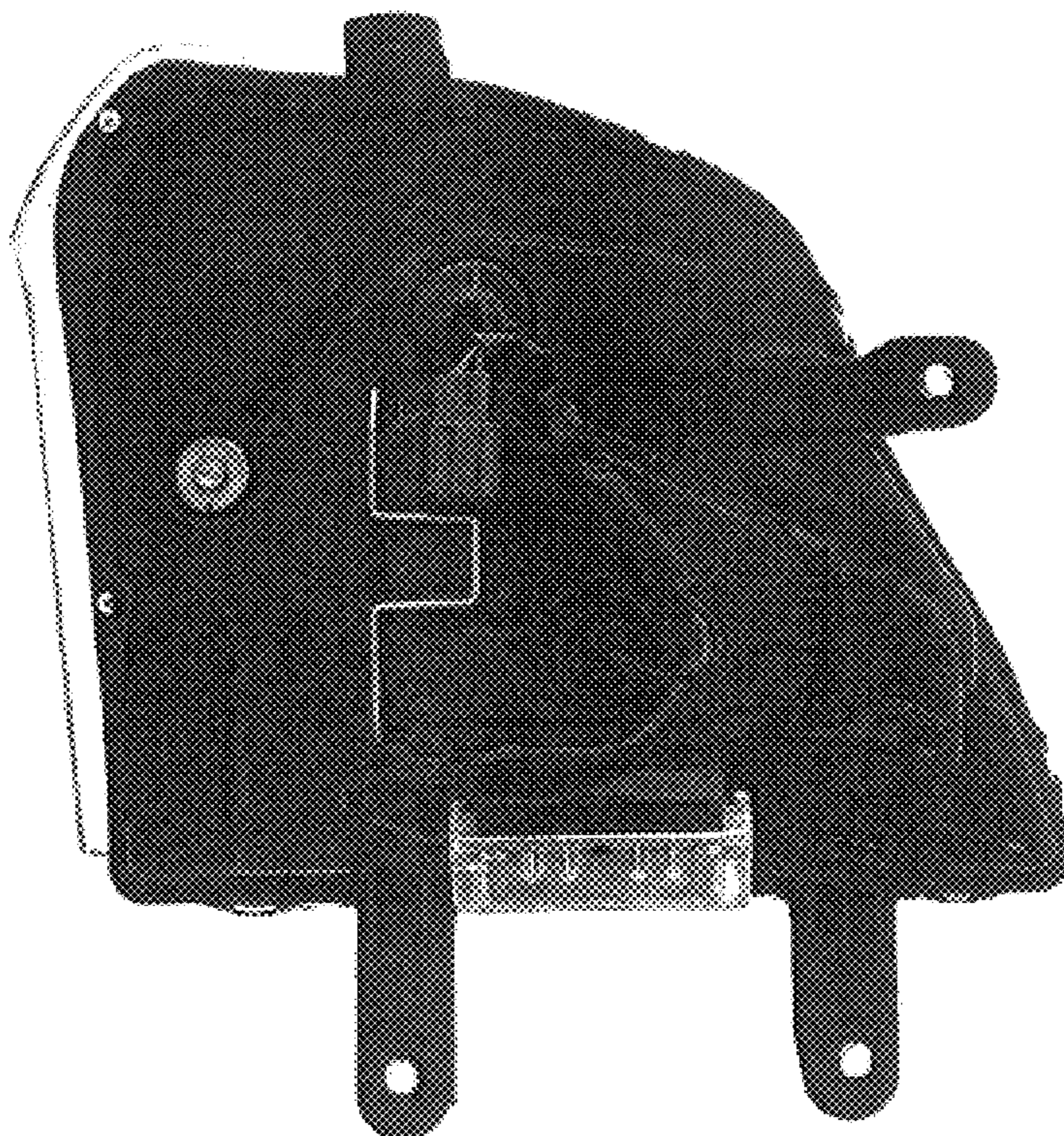


Fig. 3

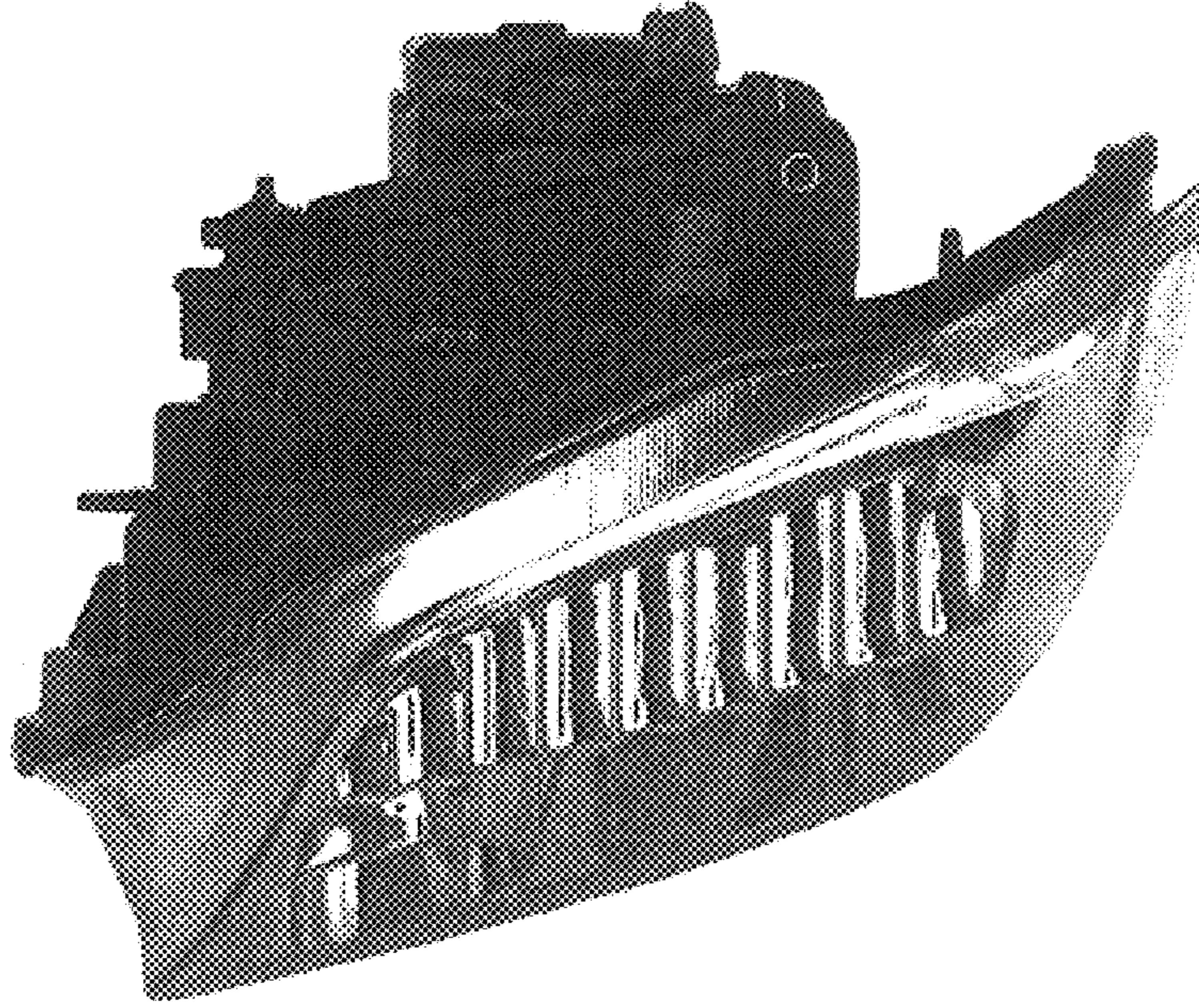


Fig. 4

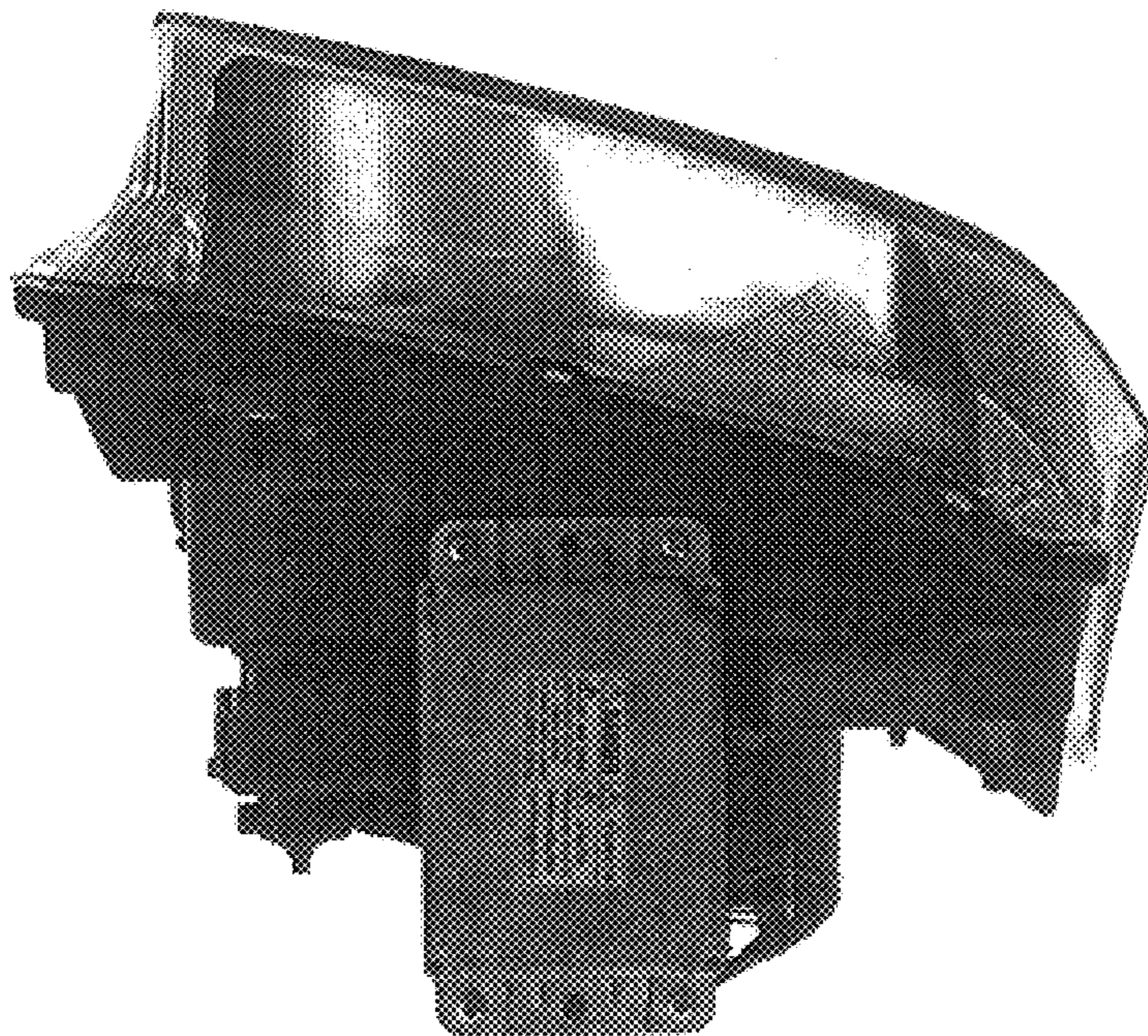


Fig. 5

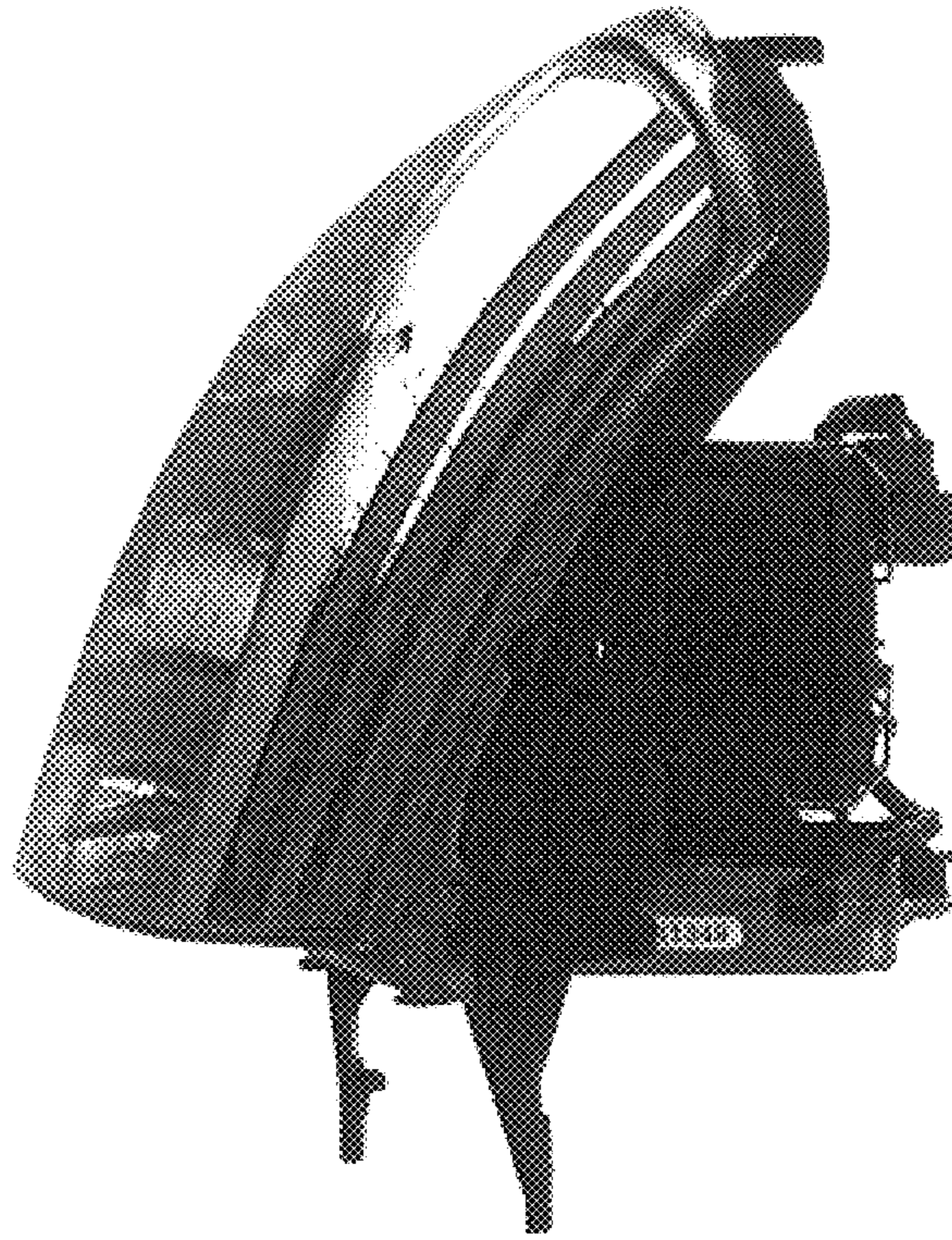


Fig. 6

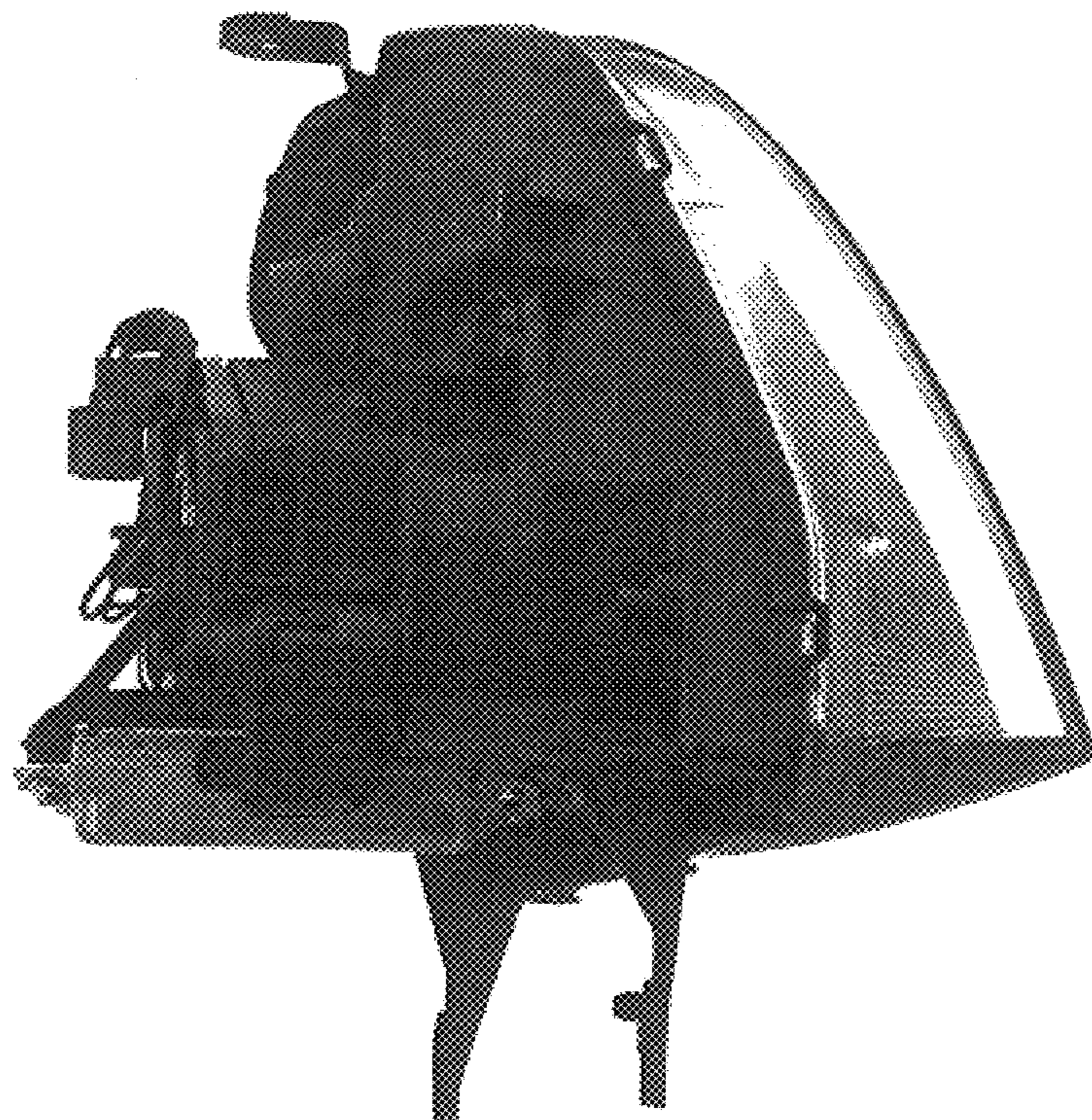


Fig. 7

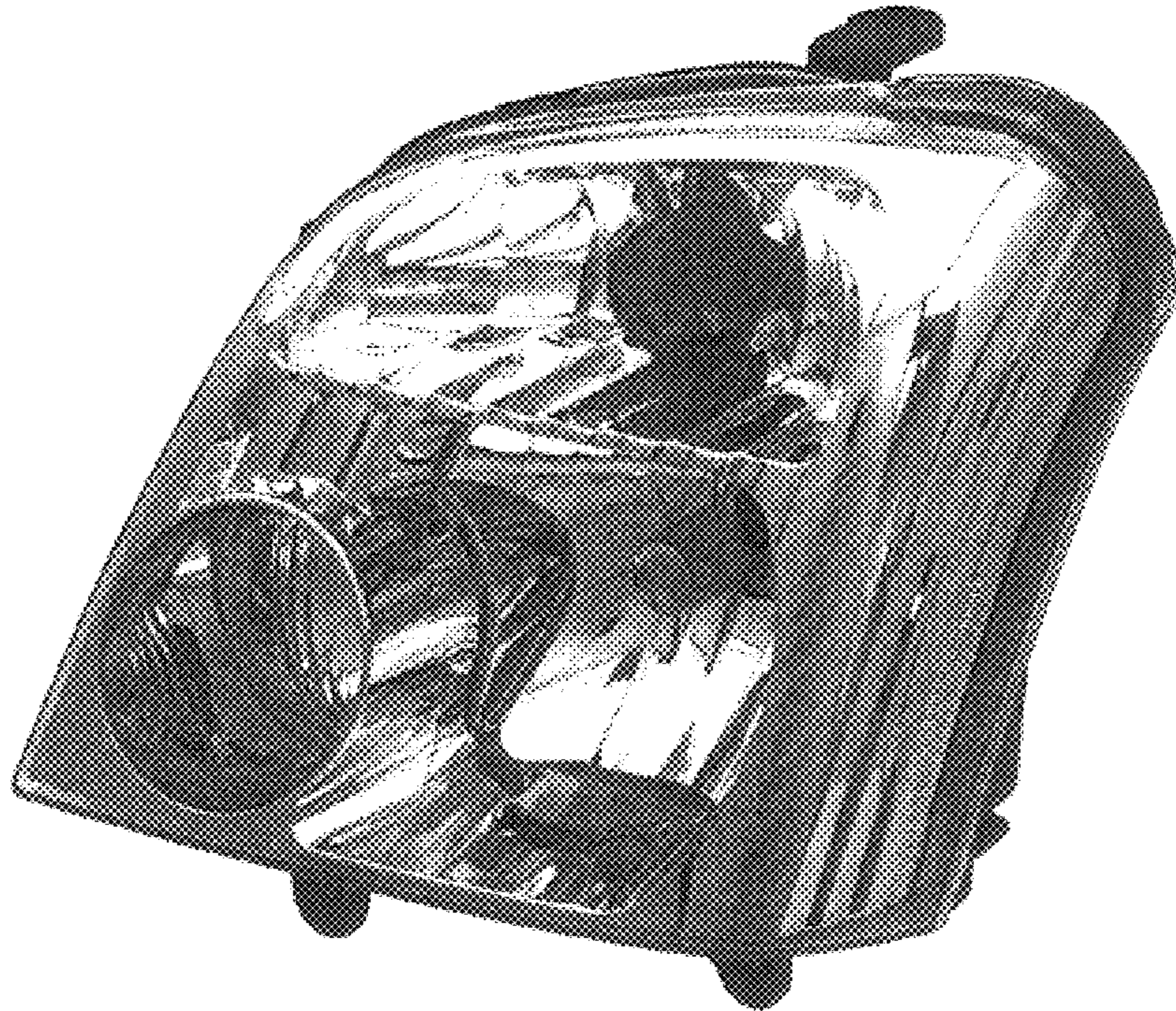


Fig. 8

