



US00D478172S

(12) **United States Design Patent**  
**Kesling et al.**

(10) **Patent No.:** **US D478,172 S**

(45) **Date of Patent:** **\*\* Aug. 5, 2003**

(54) **ORTHODONTIC MOLAR TUBE**

**DESCRIPTION**

(75) Inventors: **Christopher K. Kesling**, LaPorte, IN (US); **Peter C. Kesling**, LaPorte, IN (US)

(73) Assignee: **TP Orthodontics, Inc.**, Westville, IN (US)

(\*\*) Term: **14 Years**

(21) Appl. No.: **29/165,553**

(22) Filed: **Aug. 13, 2002**

(51) **LOC (7) Cl.** ..... **24-99**

(52) **U.S. Cl.** ..... **D24/180**

(58) **Field of Search** ..... **D24/180; 433/17**

(56) **References Cited**

**U.S. PATENT DOCUMENTS**

5,057,012 A \* 10/1991 Kesling ..... 433/17

5,727,941 A \* 3/1998 Kesling ..... 433/17

\* cited by examiner

*Primary Examiner*—Antoine Duval Davis

(74) *Attorney, Agent, or Firm*—Lloyd L. Zickert

(57) **CLAIM**

The ornamental design for an orthodontic molar tube, as shown and described.

FIG. 1 is a perspective view of an orthodontic molar tube showing our new design with the tube mounted on a bonding pad shown in phantom;

FIG. 2 is a front elevational view thereof;

FIG. 3 is a rear elevational view of the orthodontic molar tube of our new design with the tube mounted on a bonding pad shown in phantom;

FIG. 4 is a top plan view of the orthodontic molar tube of our new design;

FIG. 5 is a bottom plan view thereof; and

FIG. 6 is an end elevational view thereof;

FIG. 7 is an end elevational view thereof from the opposite side;

FIG. 8 is a perspective view of the orthodontic molar tube showing our new design with the tube mounted on a band shown in phantom;

FIG. 9 is a perspective view of the orthodontic molar tube showing our new design with the tube mounted on a plastic pad shown in phantom;

FIG. 10 is a perspective view of a modified orthodontic molar tube showing our new design with the tube mounted on a bonding pad shown in phantom; and,

FIG. 11 is a front elevational view of the molar tube of FIG. 10.

**1 Claim, 2 Drawing Sheets**

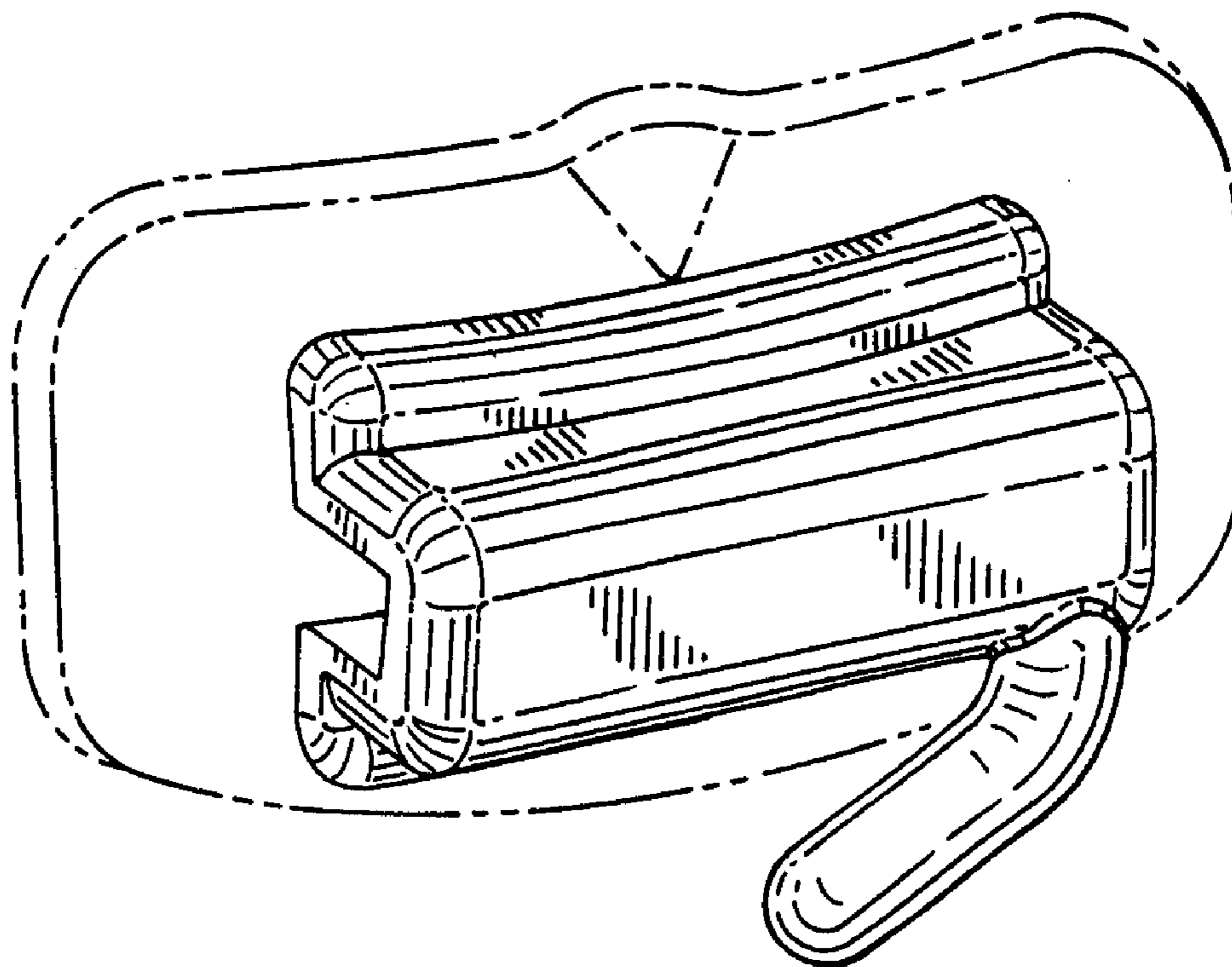


FIG. 1

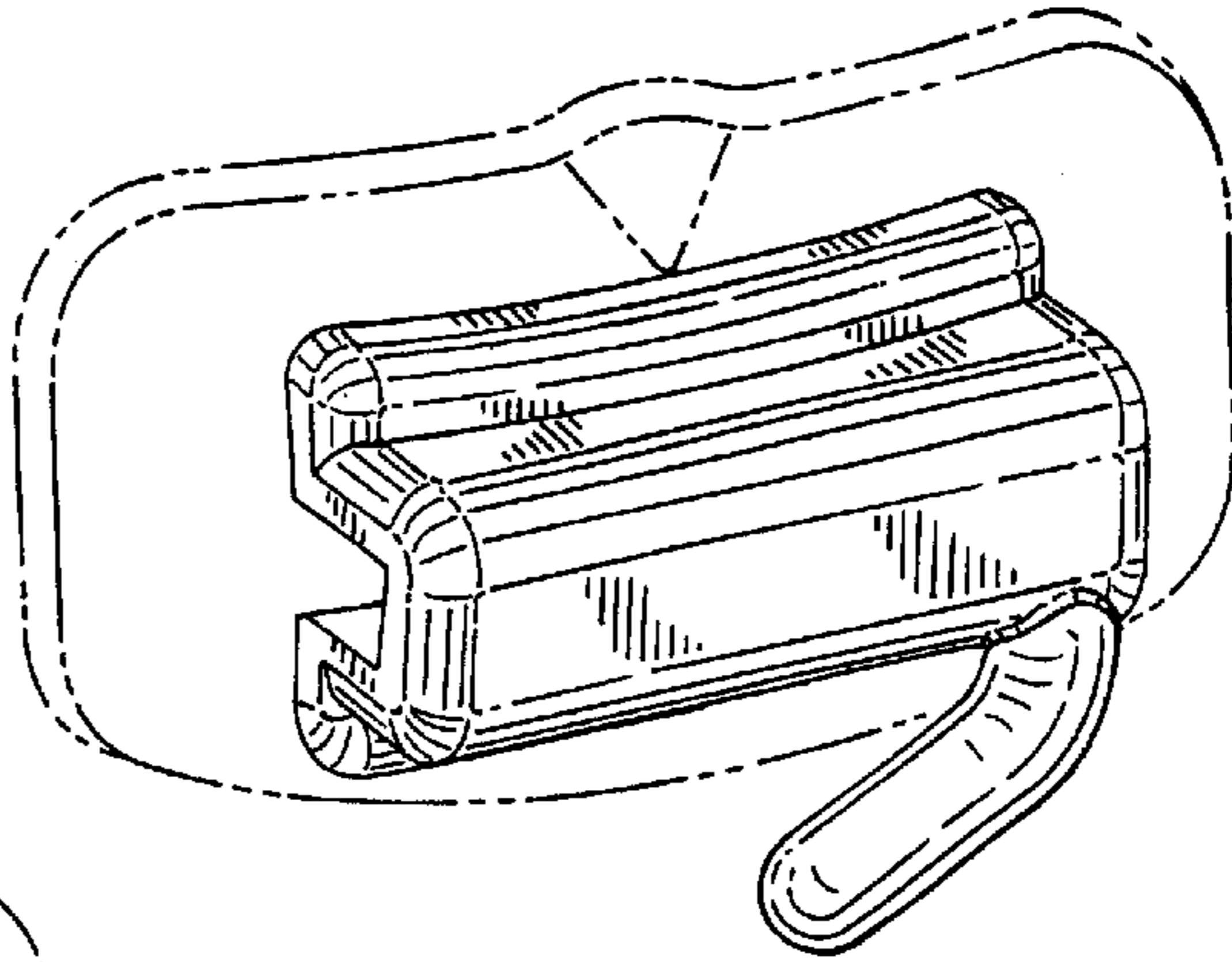


FIG. 2

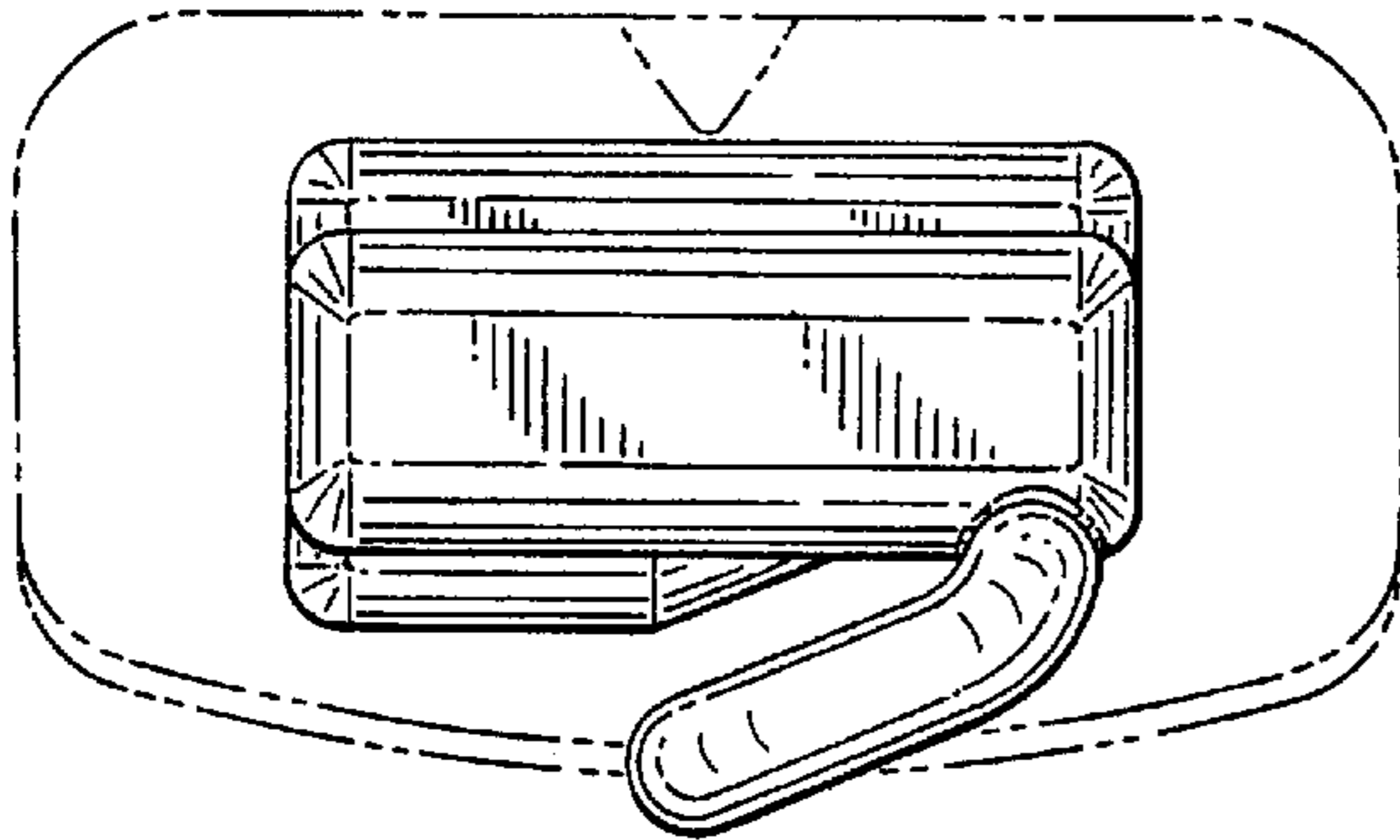


FIG. 3

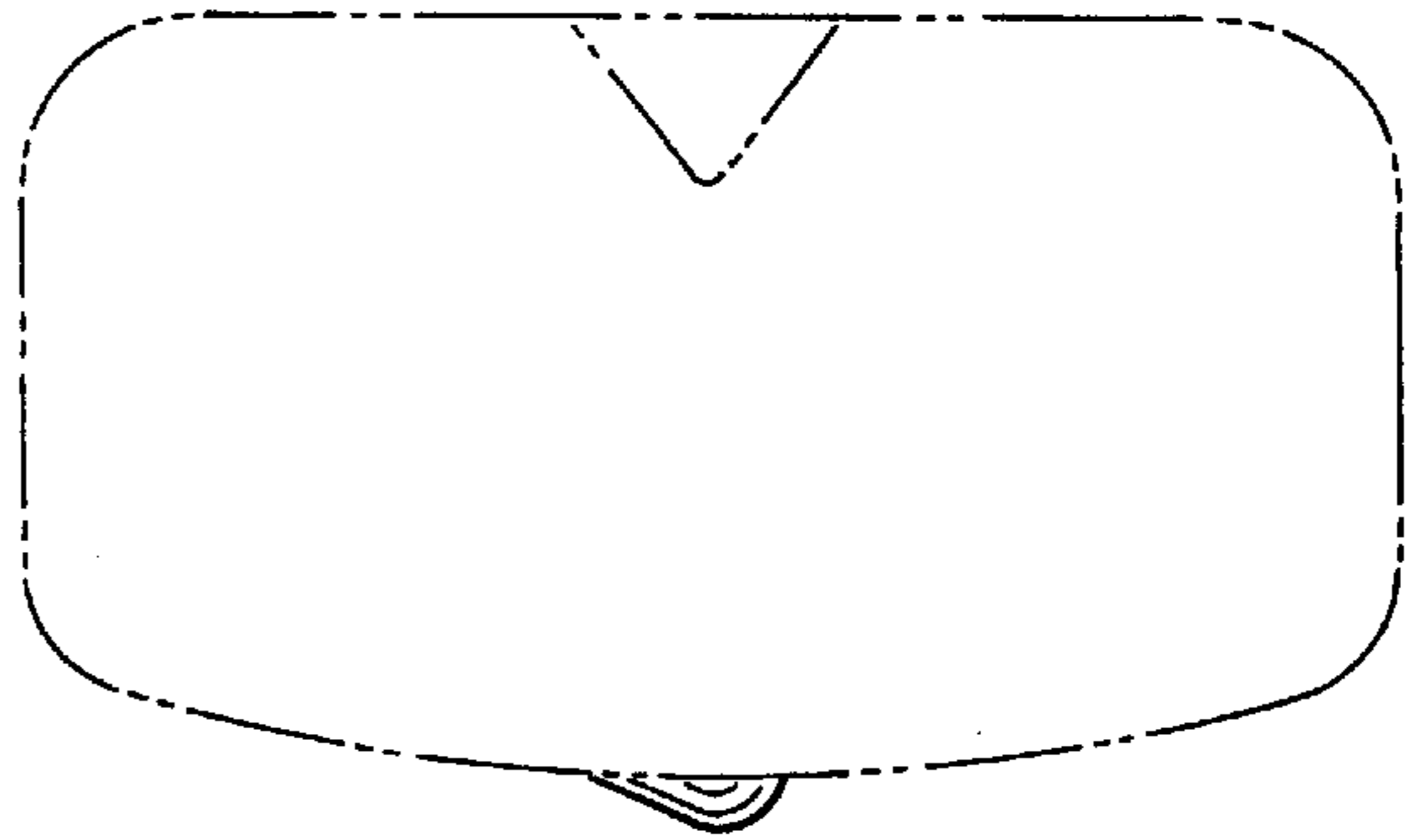


FIG. 4

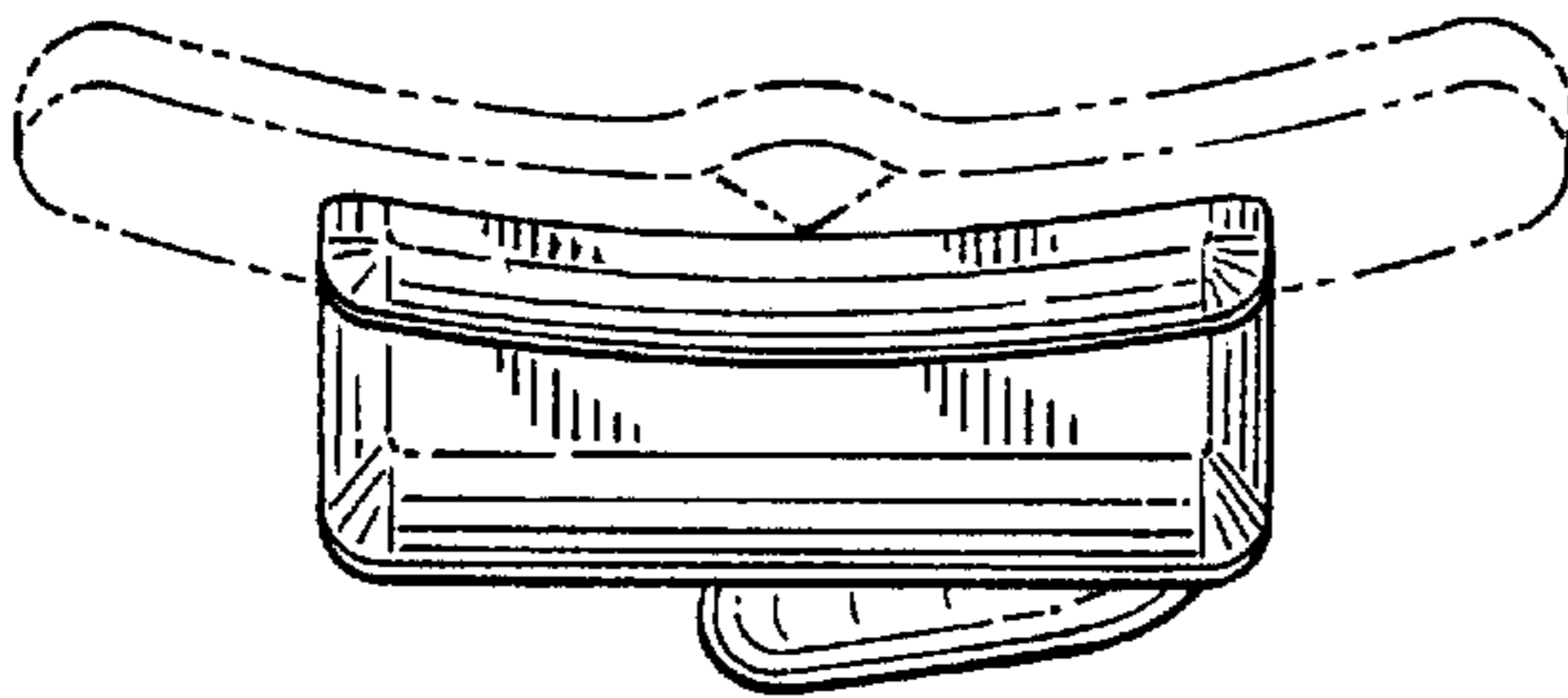


FIG. 5

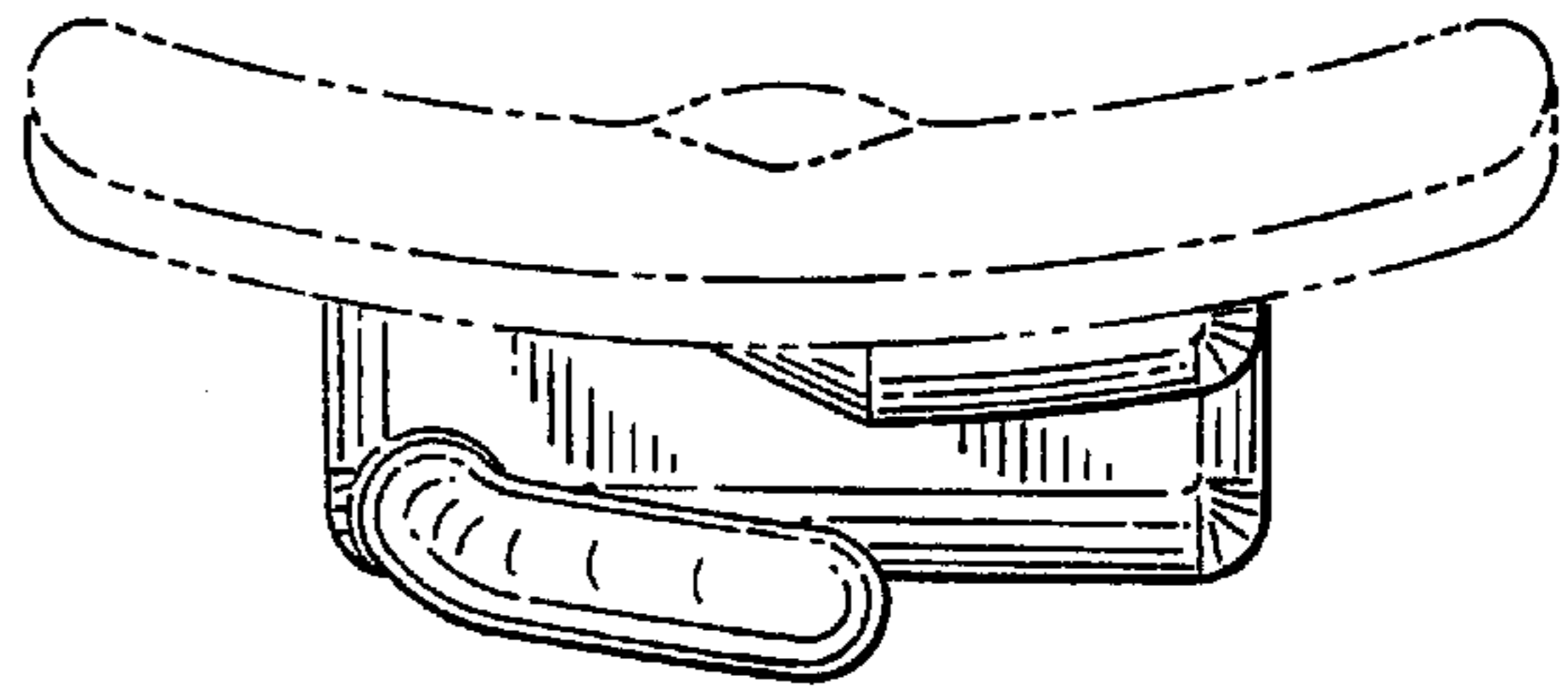


FIG. 6

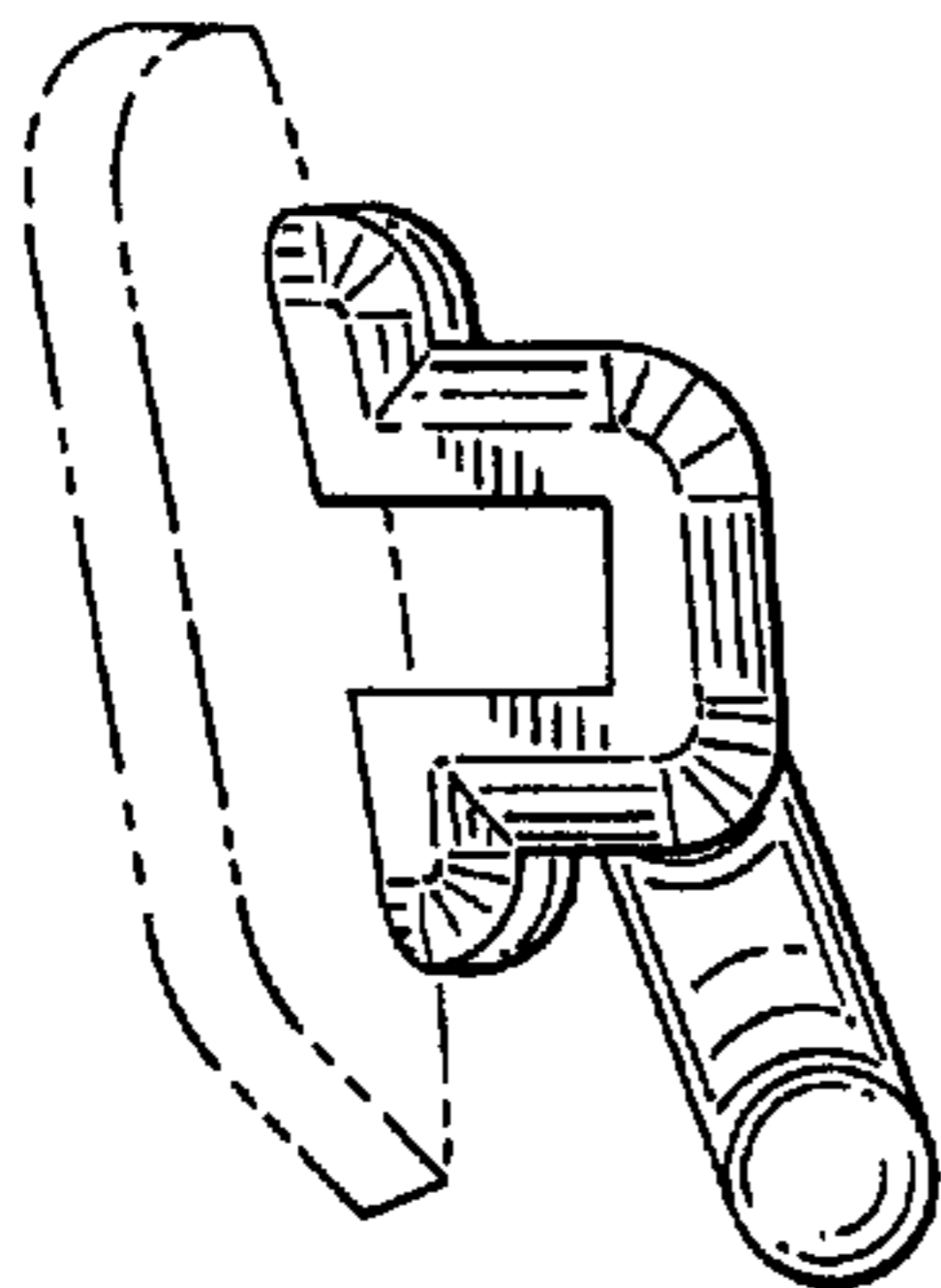
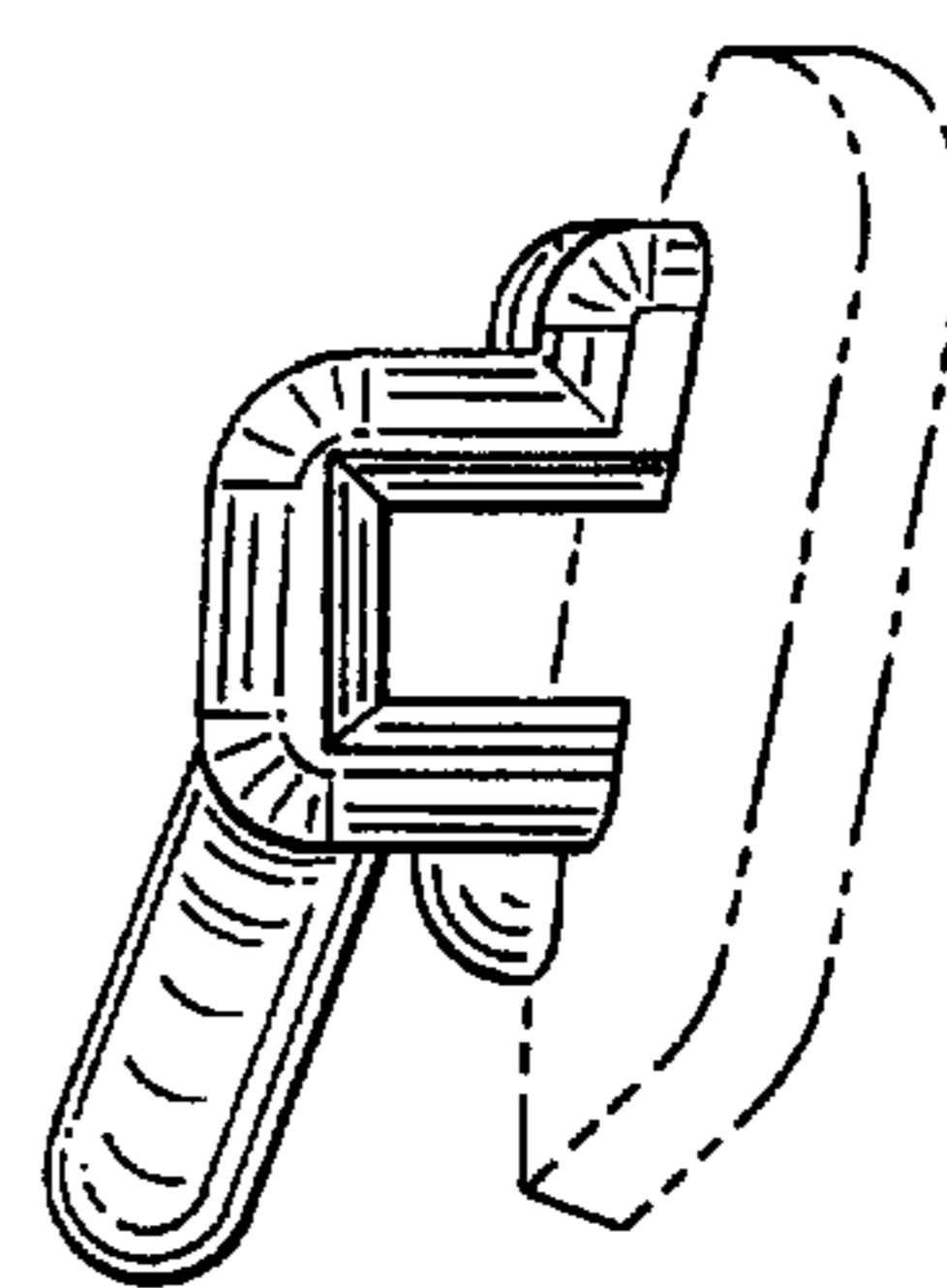


FIG. 7



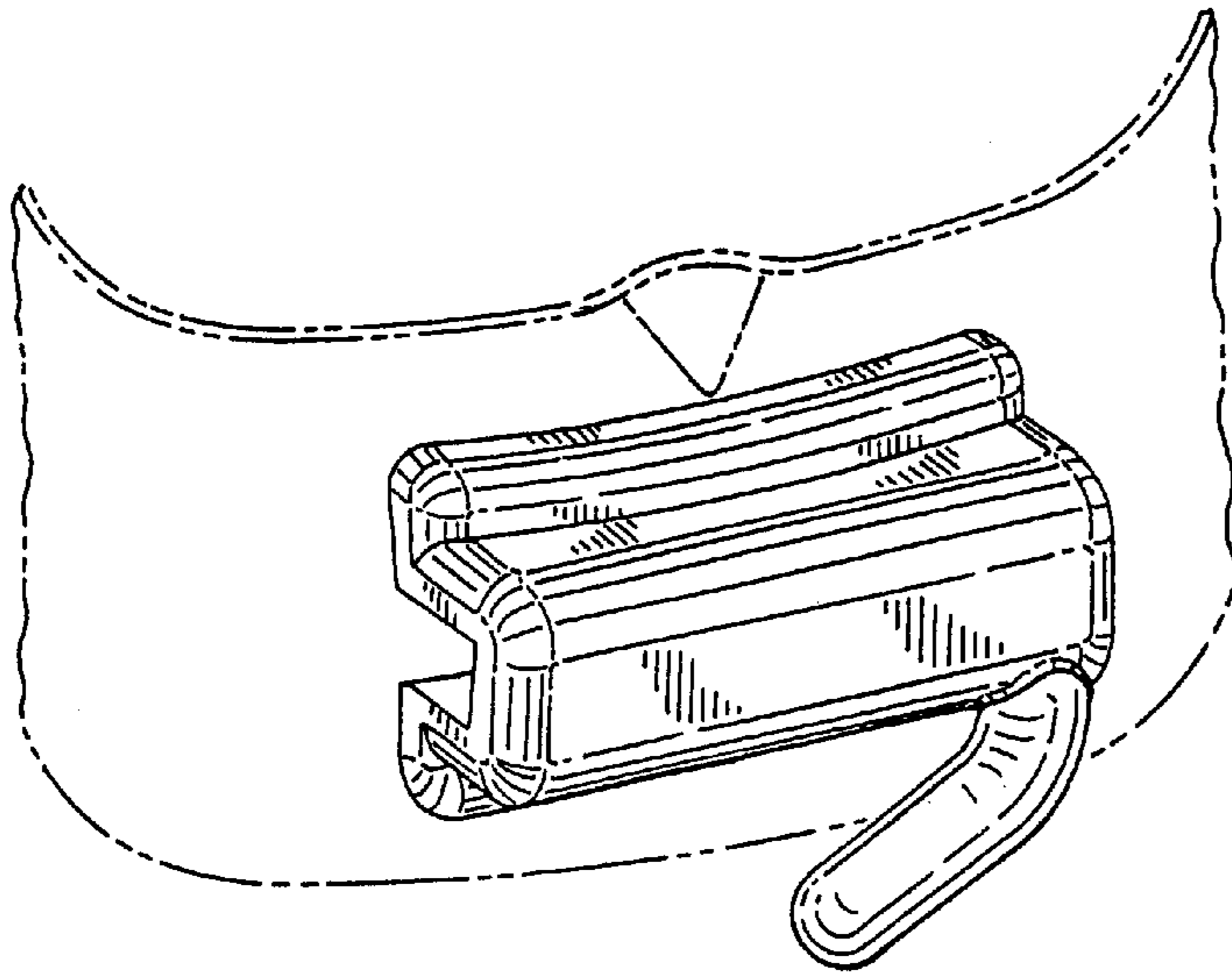


FIG. 8

FIG. 9

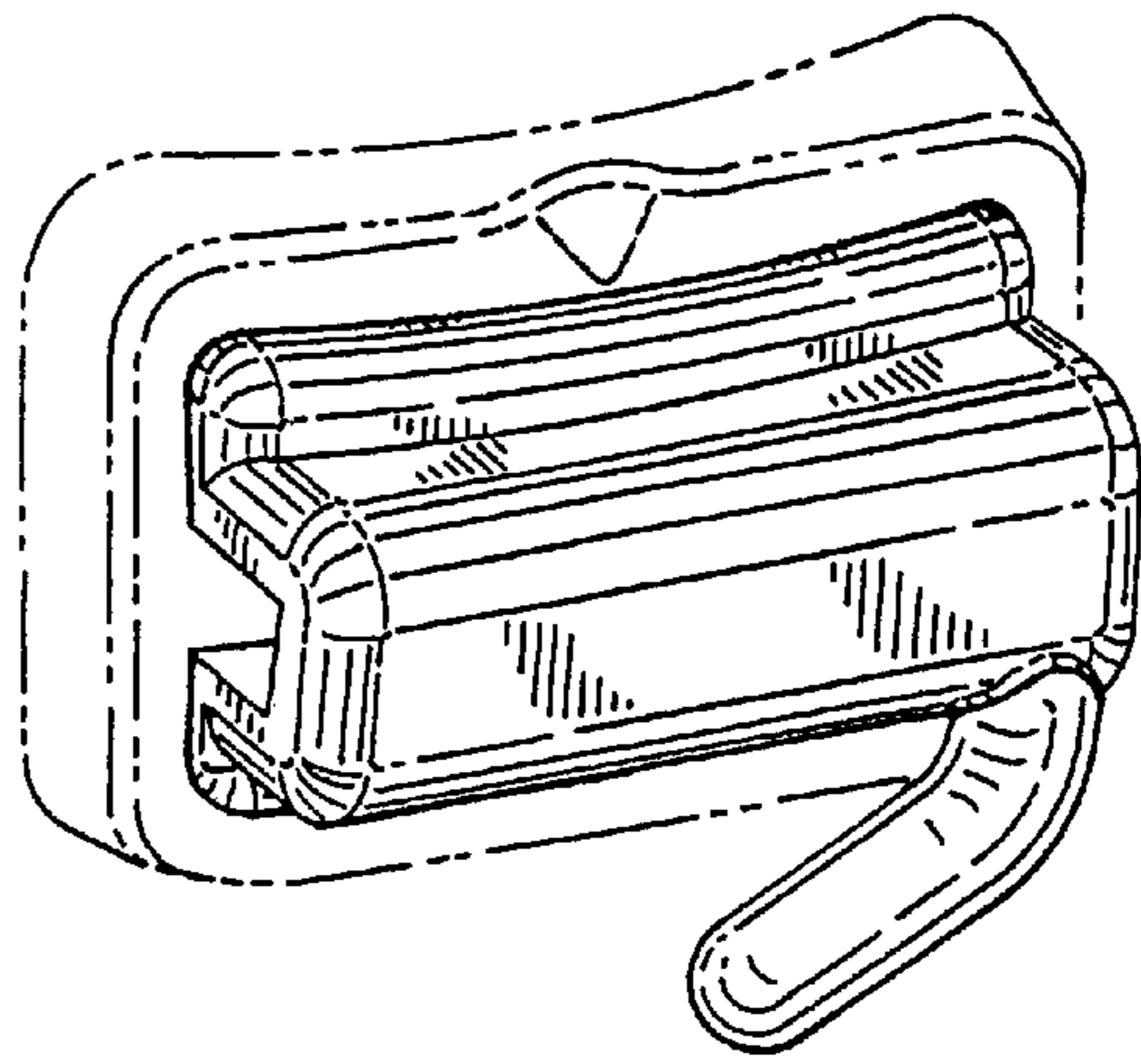


FIG. 10

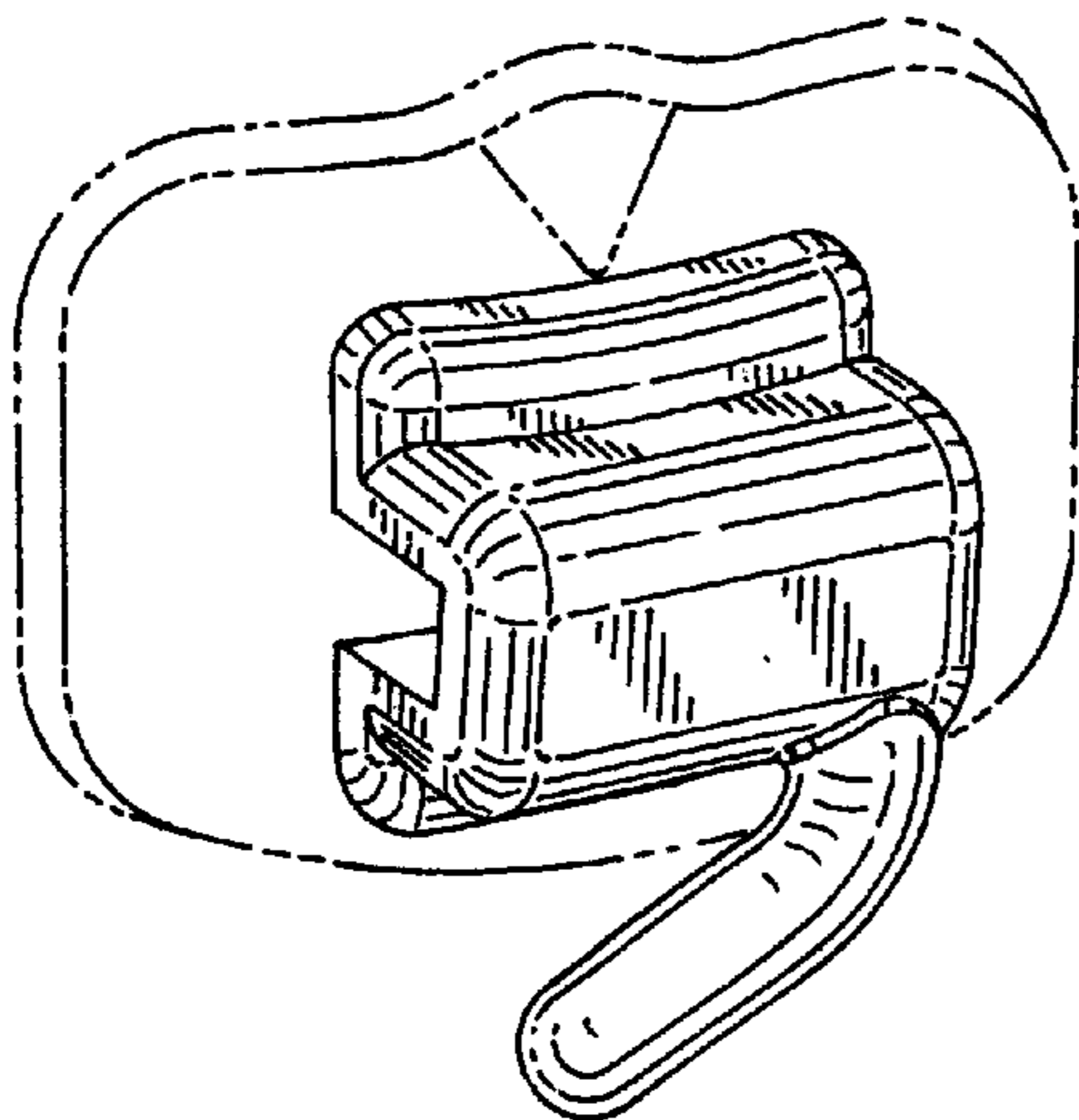


FIG. 11

