



US00D478171S

(12) **United States Design Patent**
Malmén

(10) **Patent No.:** **US D478,171 S**

(45) **Date of Patent:** **** Aug. 5, 2003**

(54) **X-RAY APPARATUS**

(75) Inventor: **Kari Malmén**, Helsinki (FI)

(73) Assignee: **Planmeca Oy**, Helsinki (FI)

(**) Term: **14 Years**

(21) Appl. No.: **29/169,445**

(22) Filed: **Oct. 18, 2002**

Related U.S. Application Data

(62) Division of application No. 29/148,713, filed on Sep. 26, 2001.

(51) **LOC (7) Cl.** **24-01**

(52) **U.S. Cl.** **D24/158**

(58) **Field of Search** D24/158; 378/38,
378/39, 40, 168, 197

(56) **References Cited**

U.S. PATENT DOCUMENTS

D272,385 S * 1/1984 Nakano et al. D24/158
5,058,147 A * 10/1991 Nishikawa et al. 378/38

D323,892 S * 2/1992 Spoljaric D24/158

5,642,392 A * 6/1997 Nakano et al. 378/38

D417,503 S * 12/1999 Spoljaric D24/158

6,052,428 A * 4/2000 Nakano et al. 378/38

6,169,780 B1 * 1/2001 Yoshimura et al. 378/39

* cited by examiner

Primary Examiner—Stella Reid

(74) *Attorney, Agent, or Firm*—Steinberg & Raskin, P.C.

(57) **CLAIM**

I claim the ornamental design for a X-ray apparatus, as shown and described.

DESCRIPTION

FIG. 1 is a perspective view of the X-ray apparatus, according to the claimed design;

FIG. 2 is a front view thereof;

FIG. 3 is a top plan view thereof;

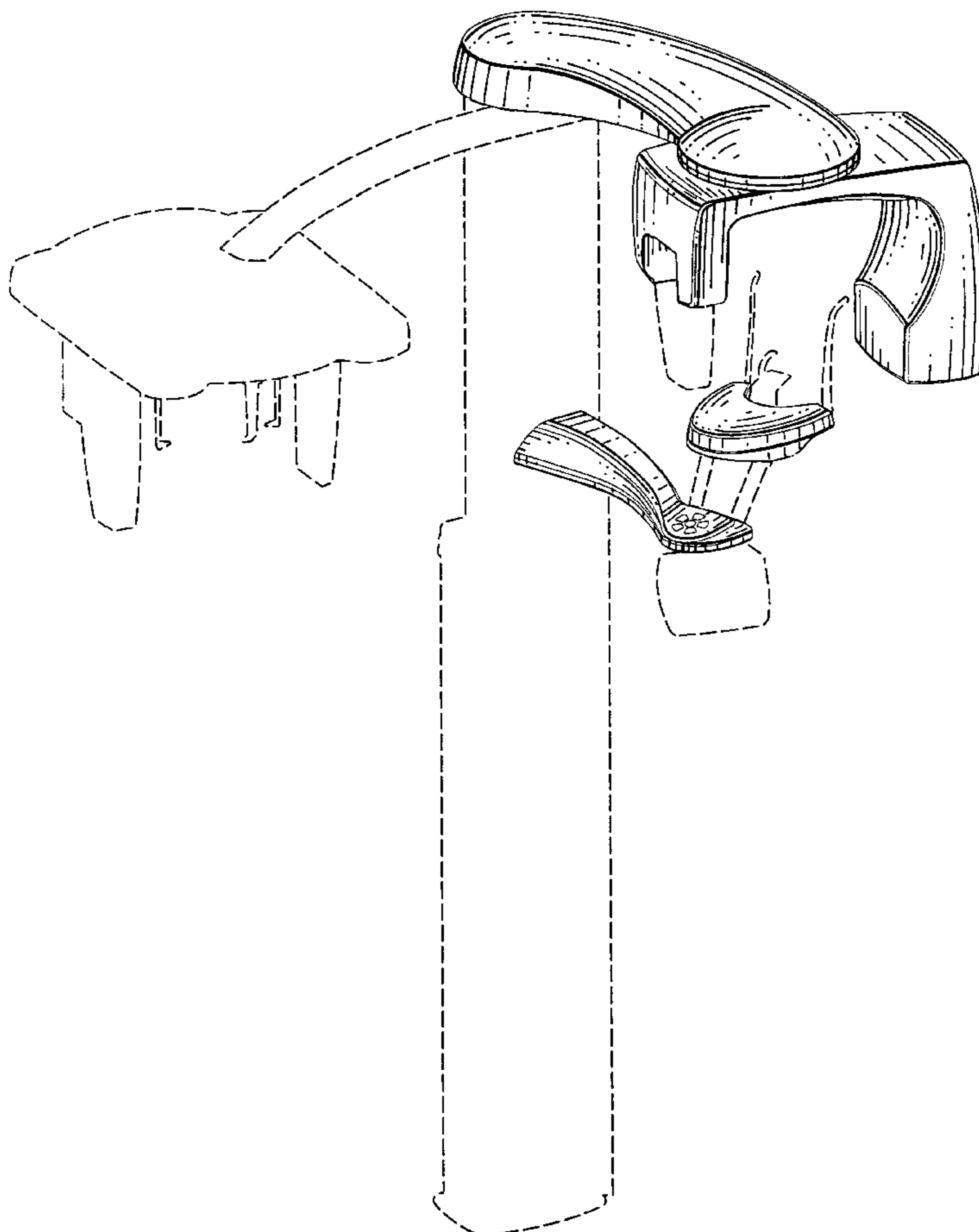
FIG. 4 is a left side view thereof;

FIG. 5 is a right side view thereof;

FIG. 6 is a rear view thereof; and,

FIG. 7 is a bottom plan view thereof.

1 Claim, 7 Drawing Sheets



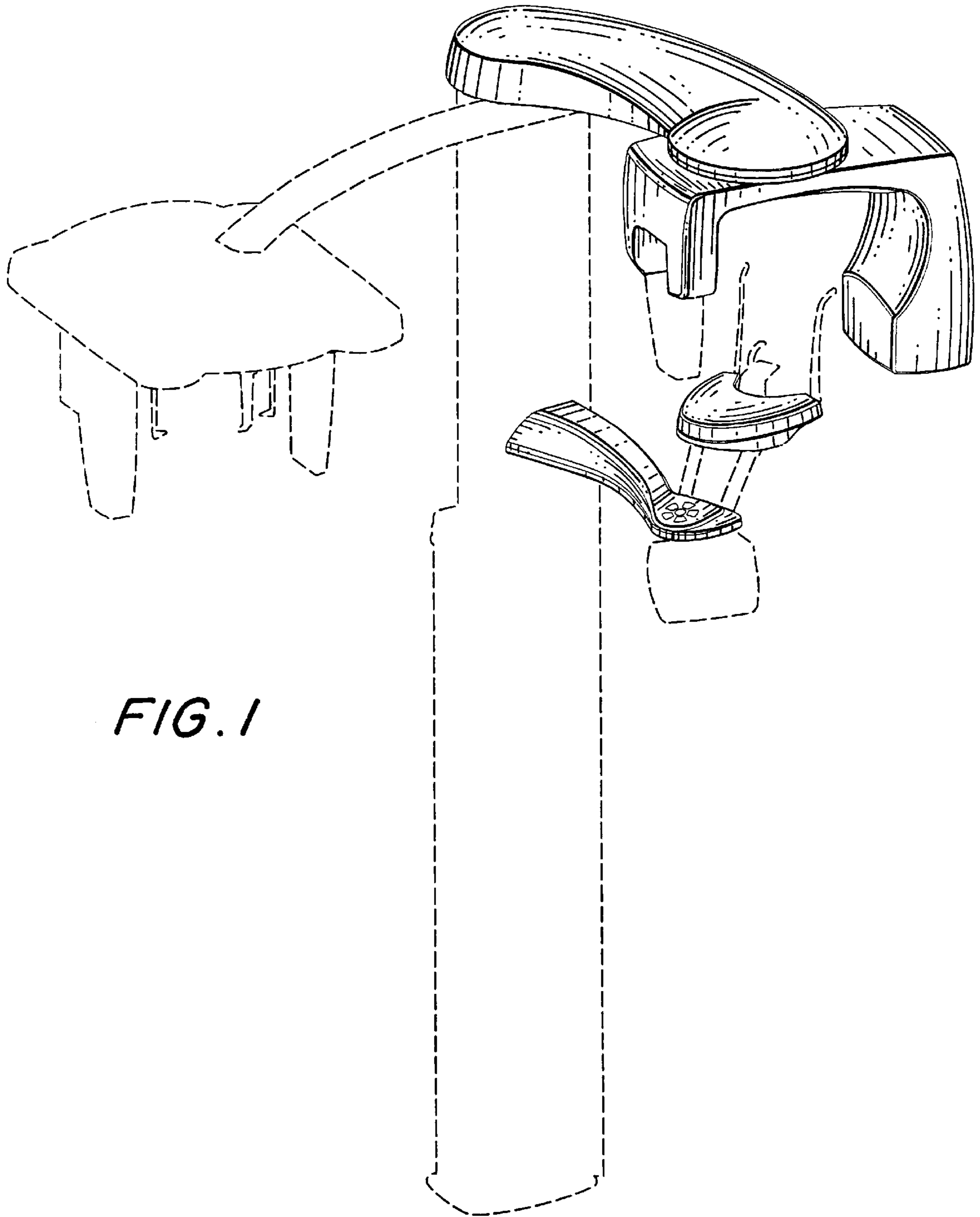
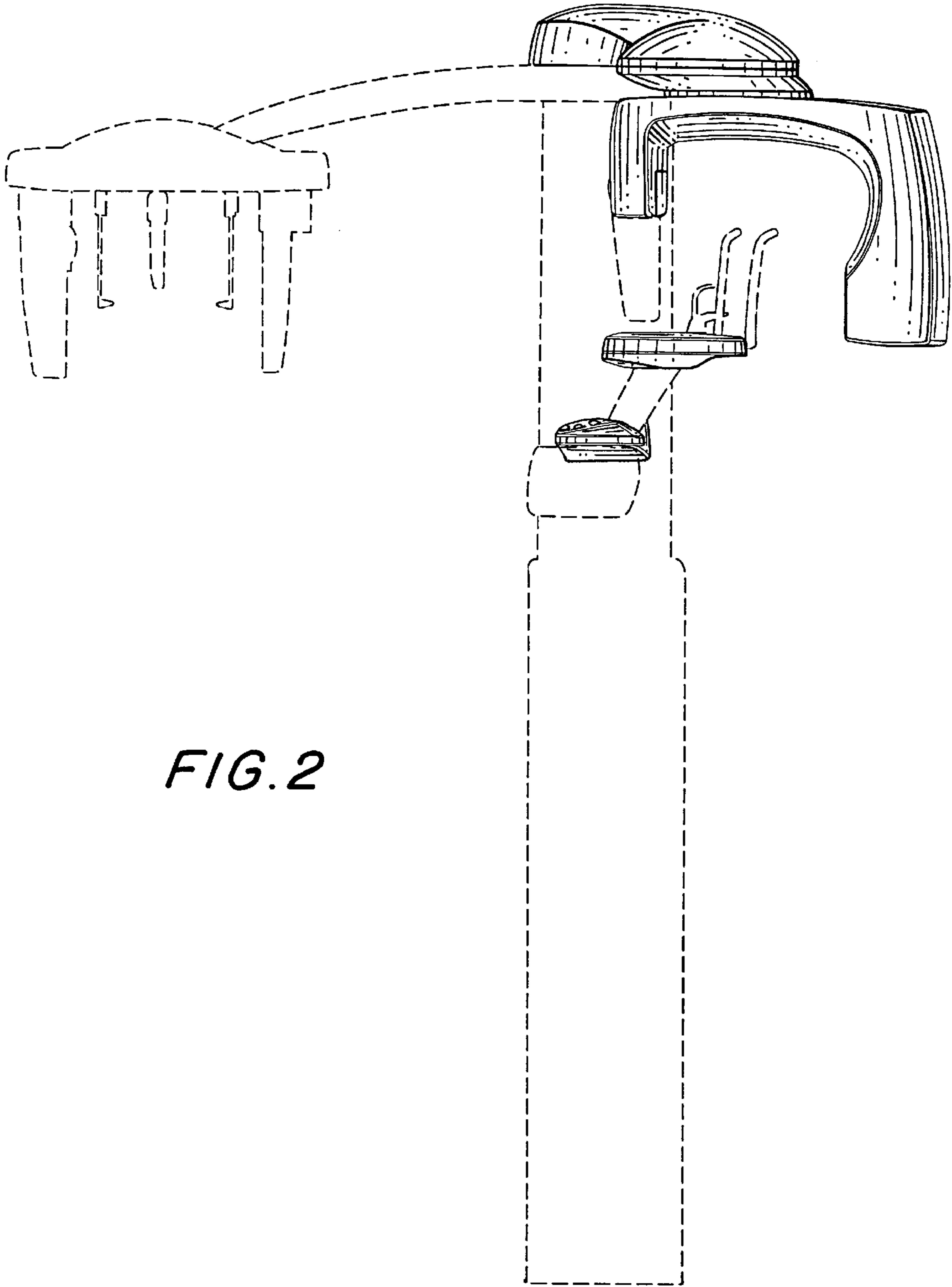


FIG. 1



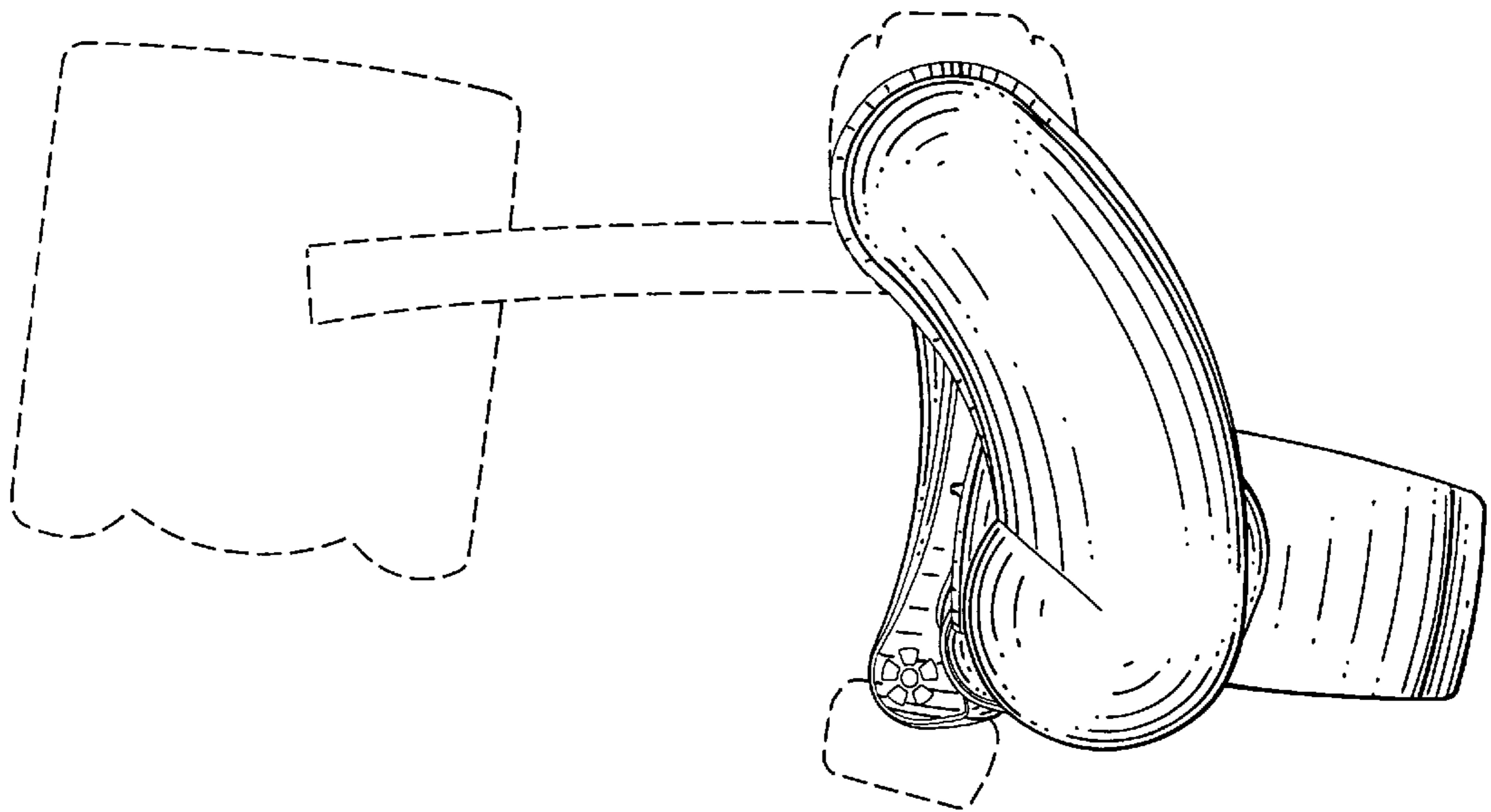


FIG. 3

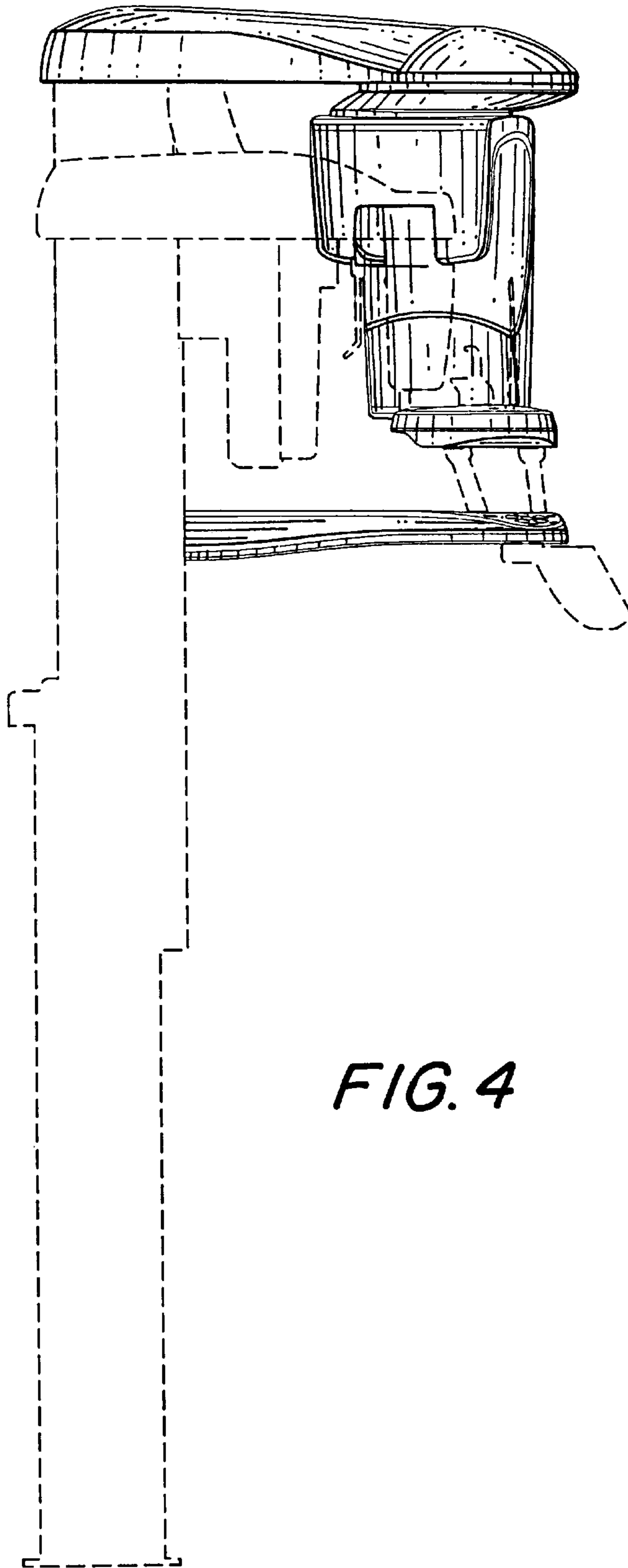


FIG. 4

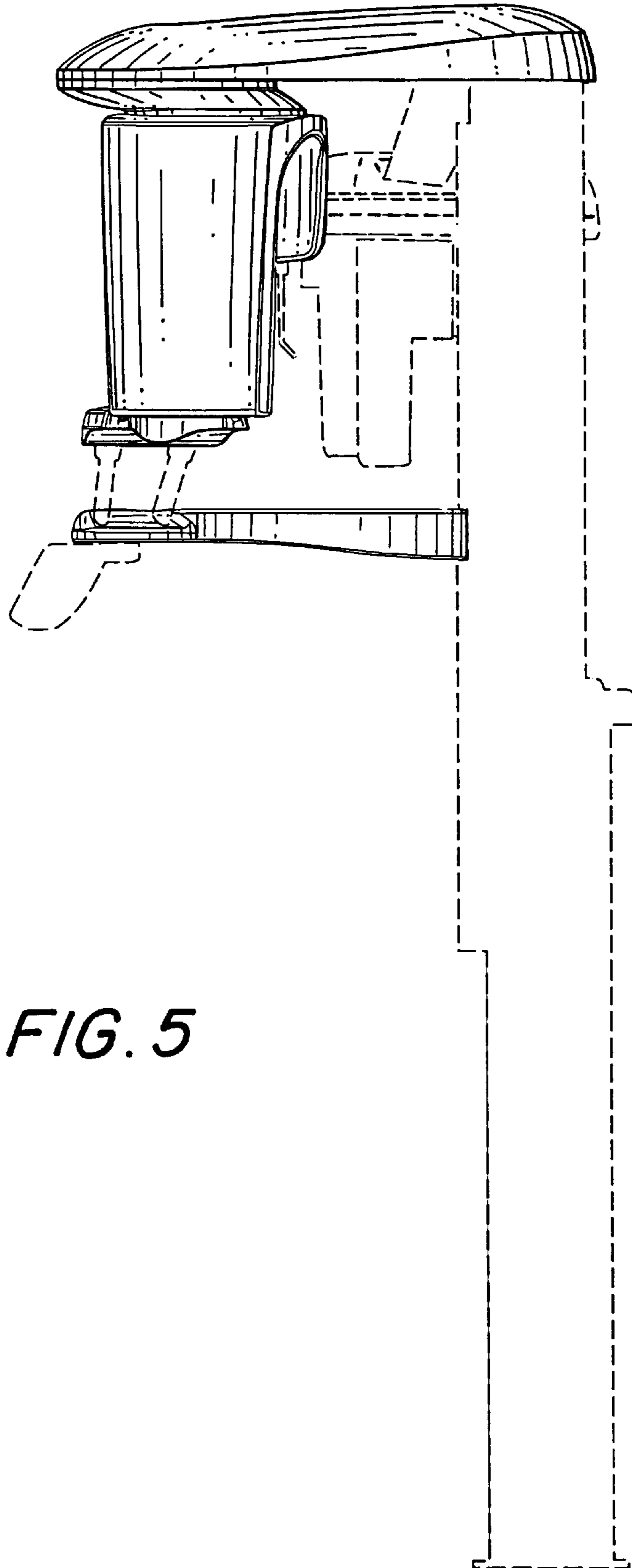


FIG. 5

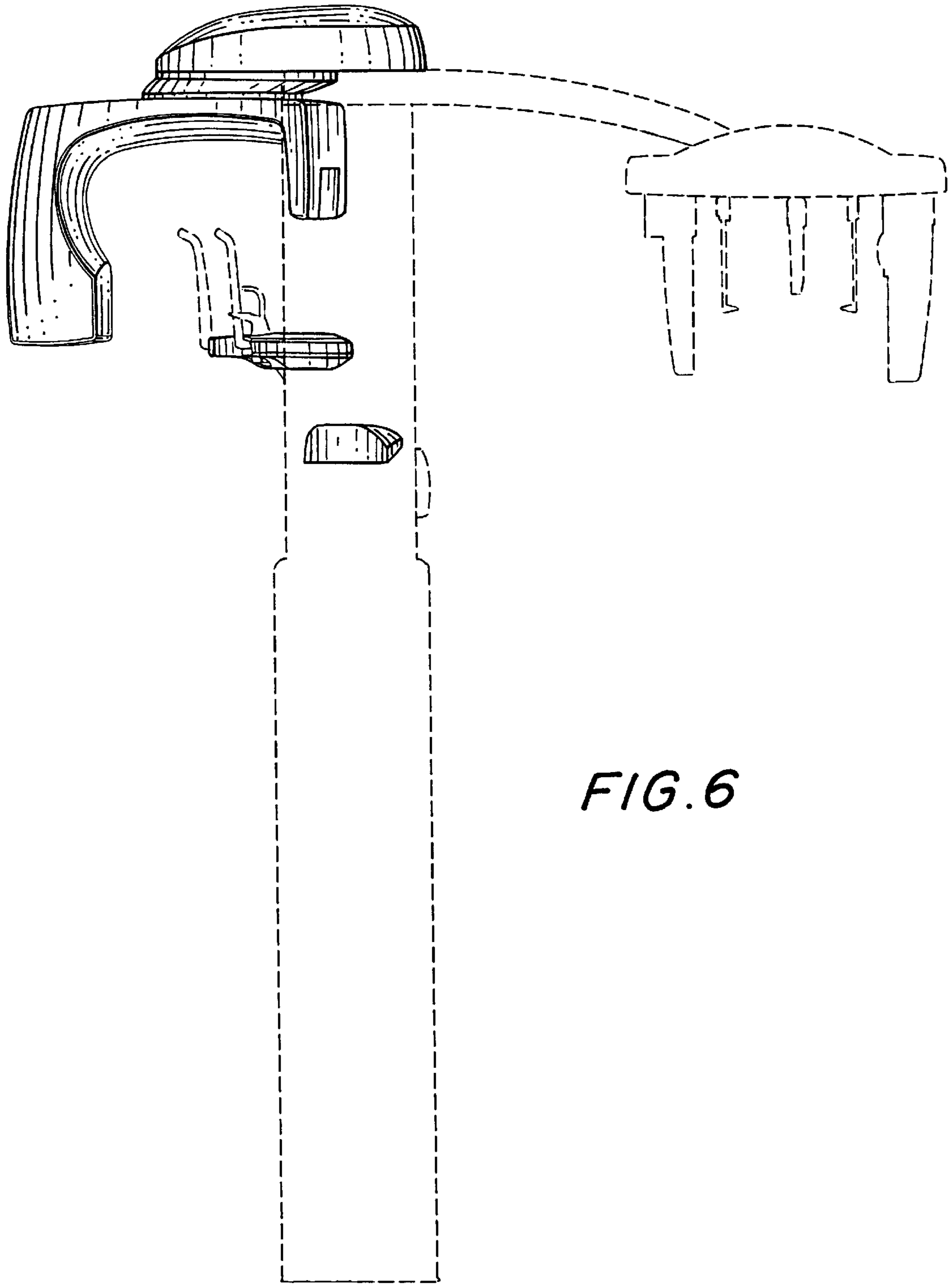


FIG. 6

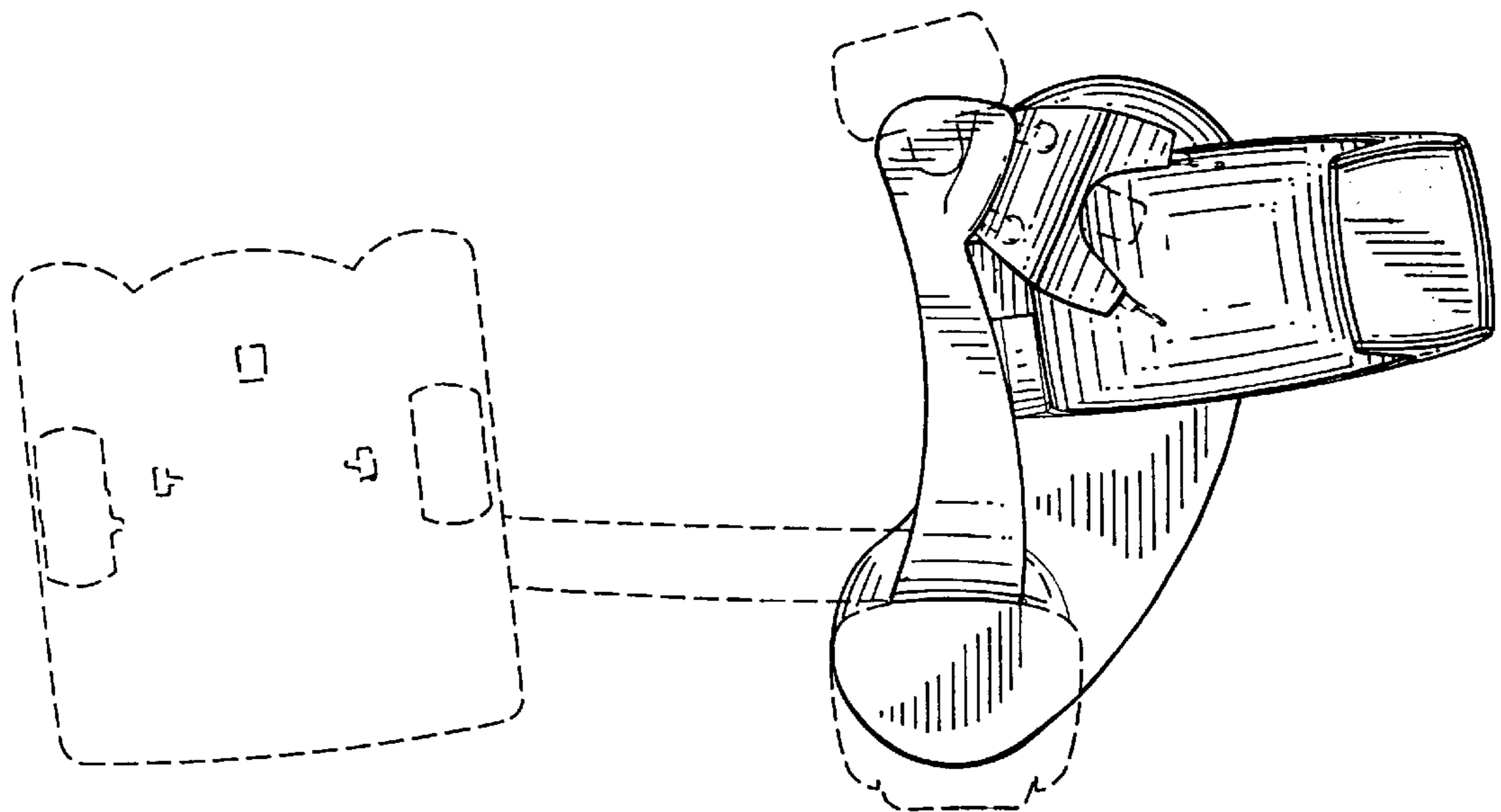


FIG. 7