



US00D478165S

(12) **United States Design Patent**  
**Hechel**

(10) **Patent No.:** **US D478,165 S**

(45) **Date of Patent:** **\*\* Aug. 5, 2003**

(54) **CANNULA FOR ULTRASONIC PROBE**

(75) **Inventor:** **Dennis L. Hechel**, Gurnee, IL (US)

(73) **Assignee:** **Misonix Incorporated**, Farmingdale, NY (US)

(\*\*) **Term:** **14 Years**

(21) **Appl. No.:** **29/098,211**

(22) **Filed:** **Dec. 23, 1998**

**Related U.S. Application Data**

(63) Continuation of application No. 08/996,778, filed on Dec. 23, 1997, now Pat. No. 6,270,471.

(51) **LOC (7) Cl.** ..... **24-02**

(52) **U.S. Cl.** ..... **D24/112; D24/108**

(58) **Field of Search** ..... D24/112, 130,  
D24/147, 108; 604/22, 23, 24, 102, 35;  
606/1, 170, 180

(56) **References Cited**

**U.S. PATENT DOCUMENTS**

2,227,727	A	1/1941	Leggiadro	
D219,252	S	* 11/1970	Bogoff	..... D24/112
3,896,811	A	7/1975	Storz	
3,990,452	A	11/1976	Murry et al.	
4,493,694	A	1/1985	Wuchinich	
D282,285	S	* 1/1986	Levy	..... D24/112
4,775,365	A	10/1988	Swartz	
4,815,462	A	3/1989	Clark	
4,886,491	A	12/1989	Parisi et al.	
4,932,935	A	6/1990	Swartz	
5,037,432	A	8/1991	Molinari	
5,112,302	A	5/1992	Cucin	
5,123,903	A	6/1992	Quaid et al.	
5,190,518	A	3/1993	Takasu	
5,236,414	A	8/1993	Takasu	
5,242,386	A	9/1993	Holzer	
5,244,458	A	9/1993	Takasu	
5,254,082	A	10/1993	Takase	

5,282,820	A	2/1994	Goodstein	
5,348,535	A	9/1994	Cucin	
5,419,761	A	5/1995	Narayanan et al.	
5,514,086	A	5/1996	Parisi et al.	
5,562,609	A	10/1996	Brumbach	
5,562,610	A	10/1996	Brumbach	
5,569,178	A	10/1996	Henley	
5,643,198	A	7/1997	Cucin	
5,718,677	A	* 2/1998	Capetan et al.	..... 604/35
5,766,194	A	* 6/1998	Smith	..... 606/1
5,782,849	A	* 7/1998	Miller	..... 604/22
5,795,323	A	* 8/1998	Cucin	..... 604/22
5,814,044	A	* 9/1998	Hooven	..... 604/21
5,833,643	A	* 11/1998	Ross et al.	..... 604/22
D408,529	S	* 4/1999	Hechel	..... D24/112
D409,746	S	* 5/1999	Hechel	..... D24/112
5,947,988	A	* 9/1999	Smith	..... 604/22
6,394,973	B1	* 5/2002	Cucin	..... 604/22

\* cited by examiner

*Primary Examiner*—Ian Simmons

(74) *Attorney, Agent, or Firm*—Welsh & Katz, Ltd.

(57) **CLAIM**

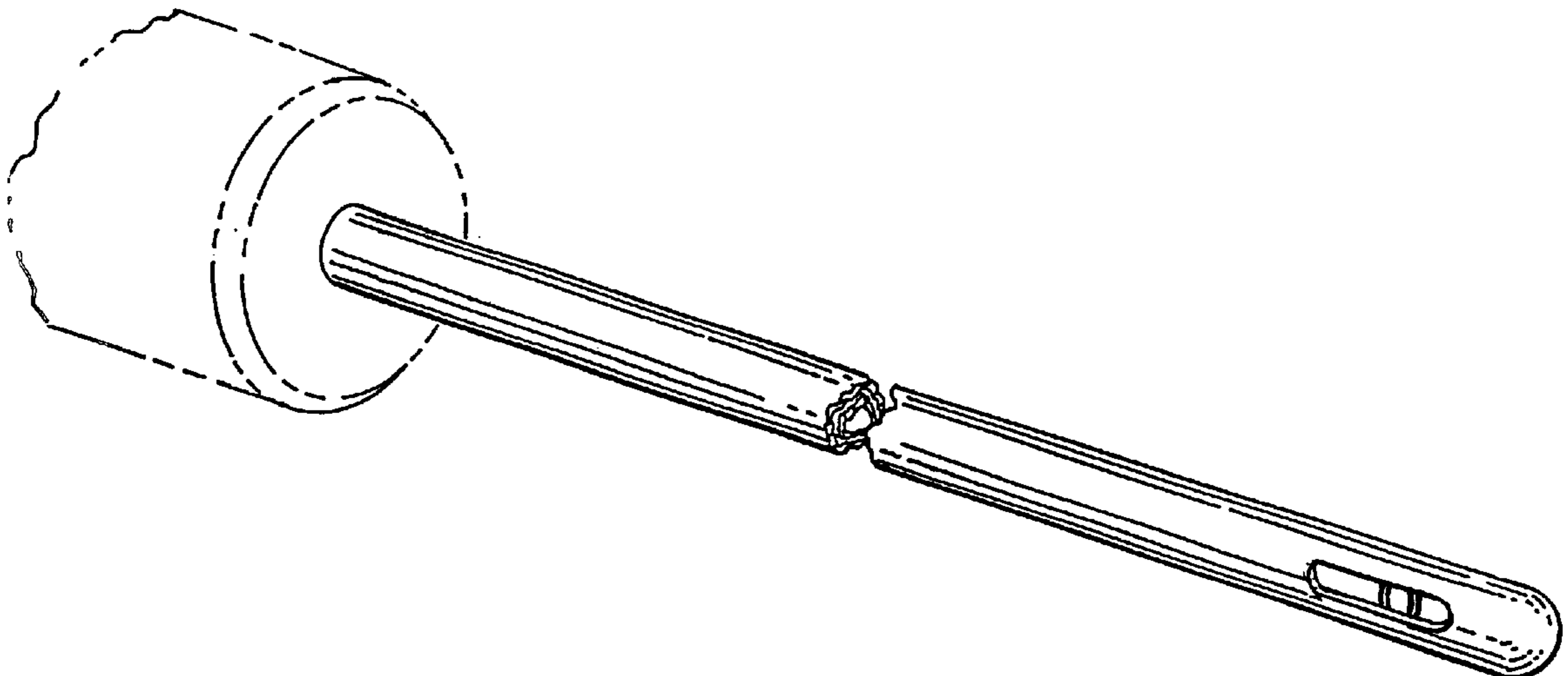
The ornamental design for a cannula for ultrasonic probe, substantially as shown and described.

**DESCRIPTION**

FIG. 1 is a front perspective view of a cannula for an ultrasonic probe showing my new design, and a portion of a handpiece shown in broken lines; FIG. 2 is a right end view of the cannula of FIG. 1, with a handpiece shown in broken lines; FIG. 3 is a top view of the cannula and handpiece shown in FIG. 1; FIG. 4 is a front elevational view of the cannula and handpiece of FIG. 1; and, FIG. 5 is a bottom view of the cannula and handpiece of FIG. 1.

The broken line showing is for illustrative purposes only and forms no part of the claimed design.

**1 Claim, 1 Drawing Sheet**



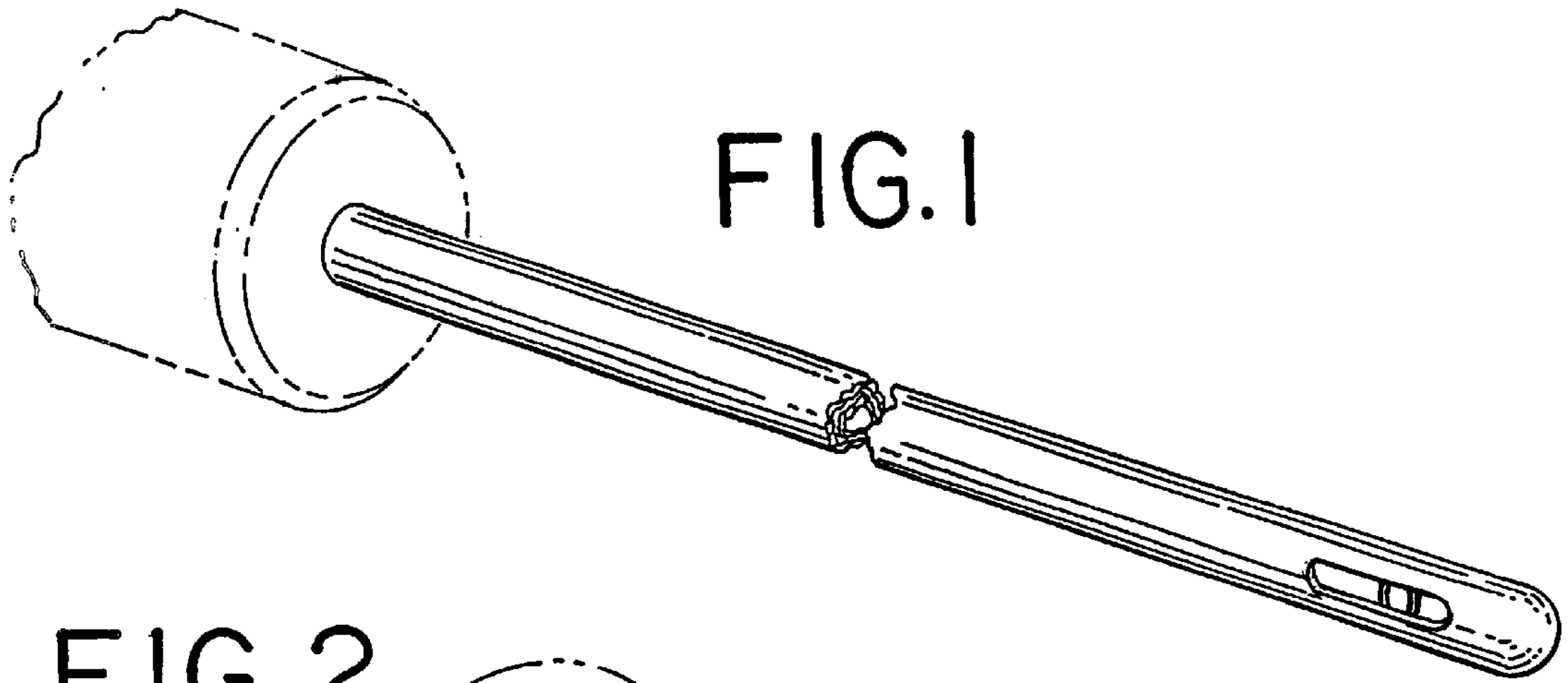


FIG. 1

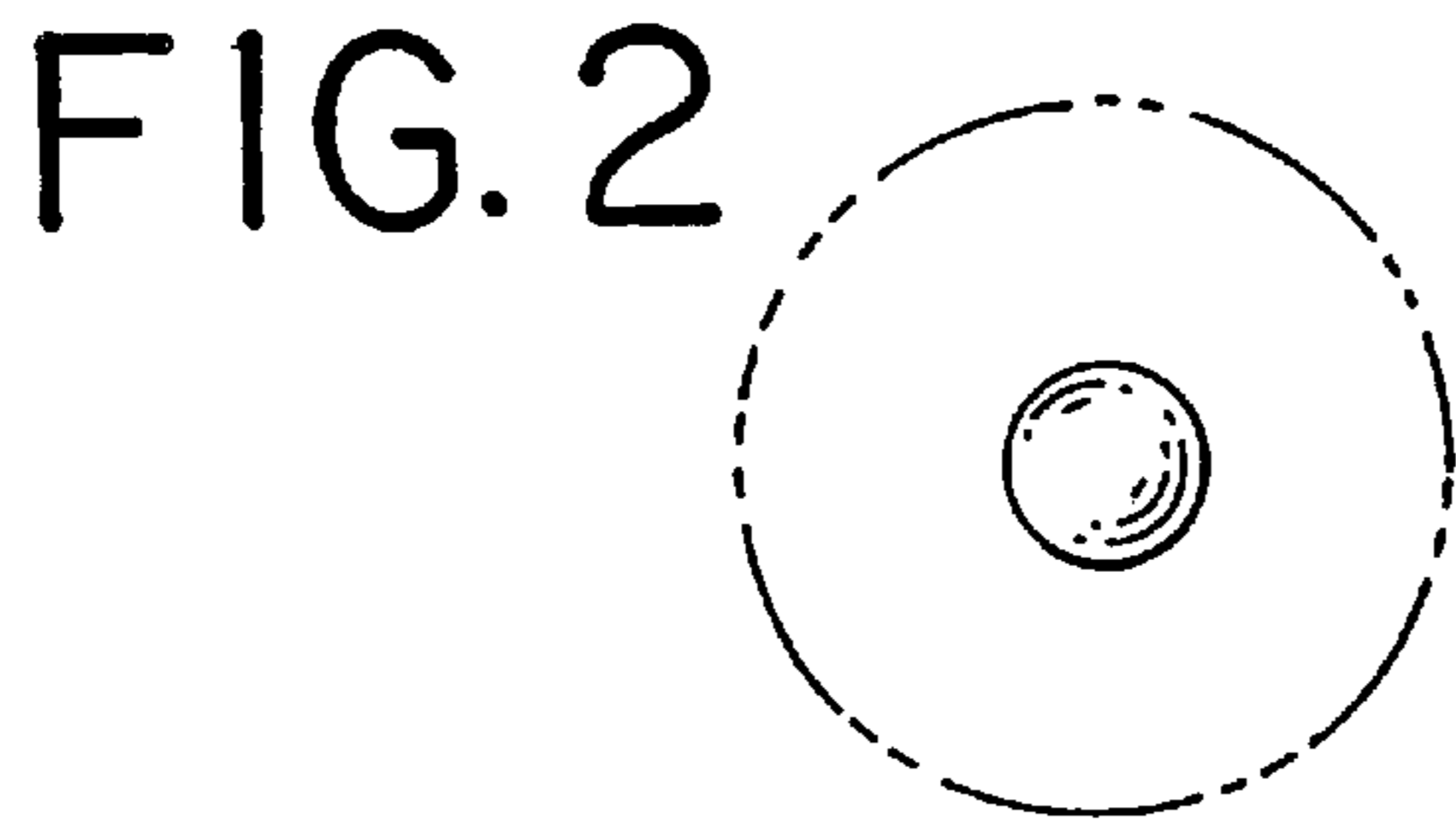


FIG. 2

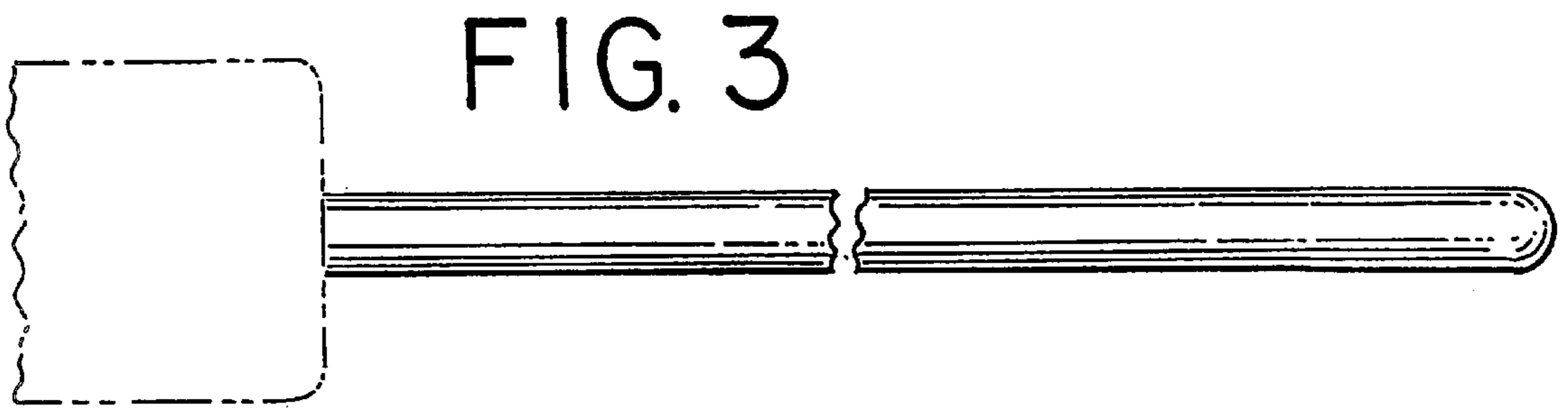


FIG. 3

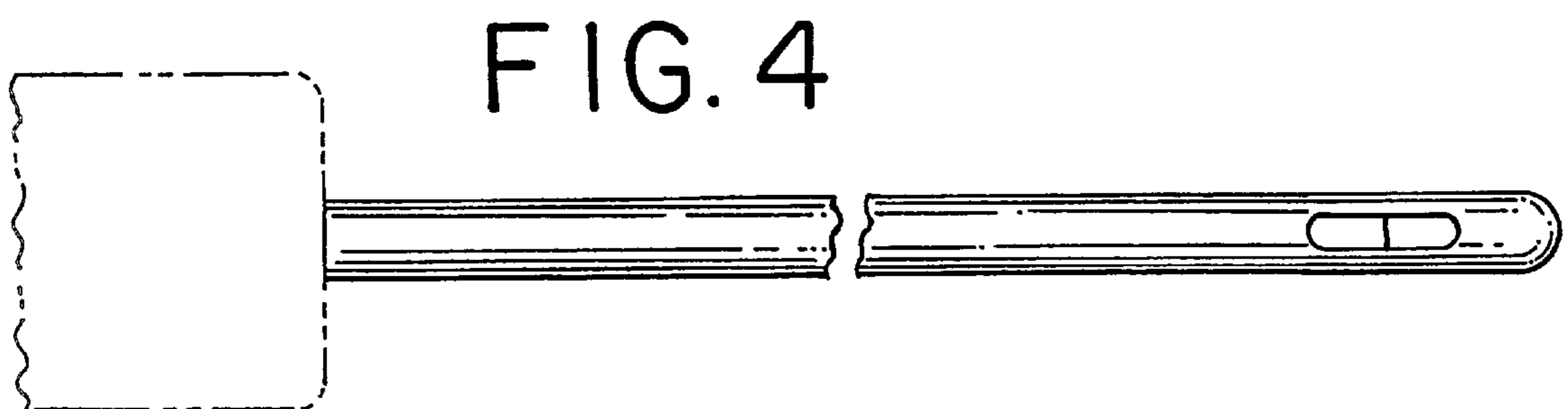


FIG. 4

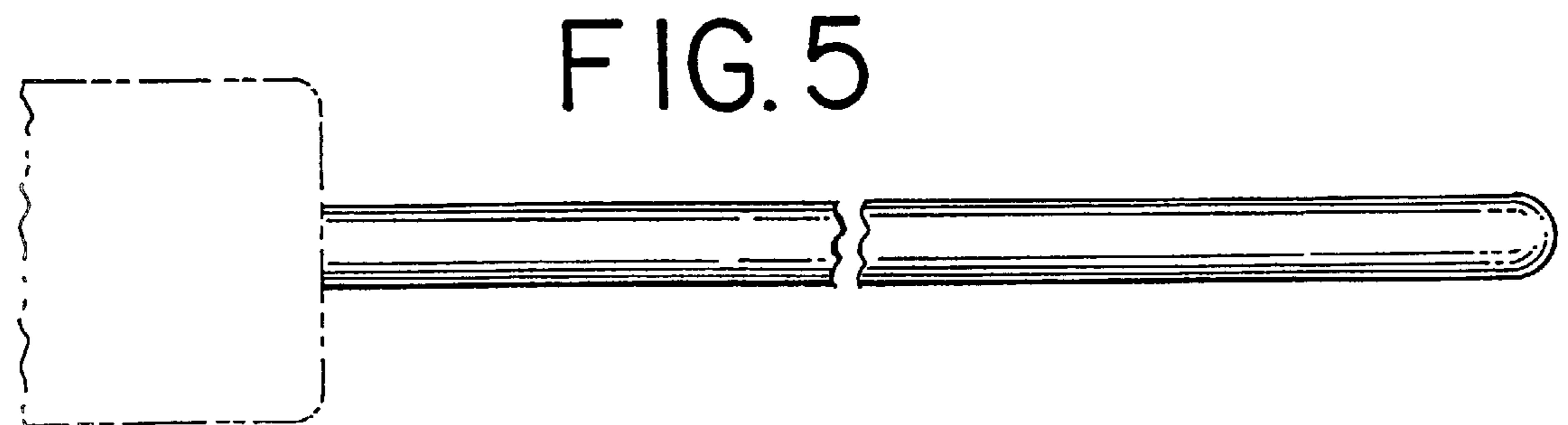


FIG. 5