



US00D478162S

(12) **United States Design Patent**  
**Collmar**

(10) **Patent No.:** **US D478,162 S**

(45) **Date of Patent:** **\*\* Aug. 5, 2003**

(54) **CEILING FAN**

(75) **Inventor:** **Teddy Patrick Collmar**, Pinetop, AZ (US)

(73) **Assignee:** **Great 2000 Enterprises Inc.**, Corona, CA (US)

(\*\*) **Term:** **14 Years**

(21) **Appl. No.:** **29/165,327**

(22) **Filed:** **Aug. 9, 2002**

(51) **LOC (7) Cl.** ..... **23-04**

(52) **U.S. Cl.** ..... **D23/377**

(58) **Field of Search** ..... D23/377, 379, D23/385, 411, 413; 416/5; 392/364; D26/59, 51, 72, 79, 81-86, 88; 364/92

(56) **References Cited**

**U.S. PATENT DOCUMENTS**

D394,103 S	*	5/1998	Lee	.....	D23/411
D417,494 S	*	12/1999	Evans	.....	D23/377
D427,672 S	*	7/2000	Lee	.....	D23/377

\* cited by examiner

*Primary Examiner*—Lisa Lichtenstein

(74) *Attorney, Agent, or Firm*—Rosenberg, Klein & Lee

(57) **CLAIM**

The ornamental design for a ceiling fan, as shown and described.

**DESCRIPTION**

FIG. 1 is a front-right-top perspective view of a ceiling fan, showing my new design;

FIG. 2 is a front elevational view thereof;

FIG. 3 is a rear elevational view thereof;

FIG. 4 is a left side elevational view thereof;

FIG. 5 is a right side elevational view thereof;

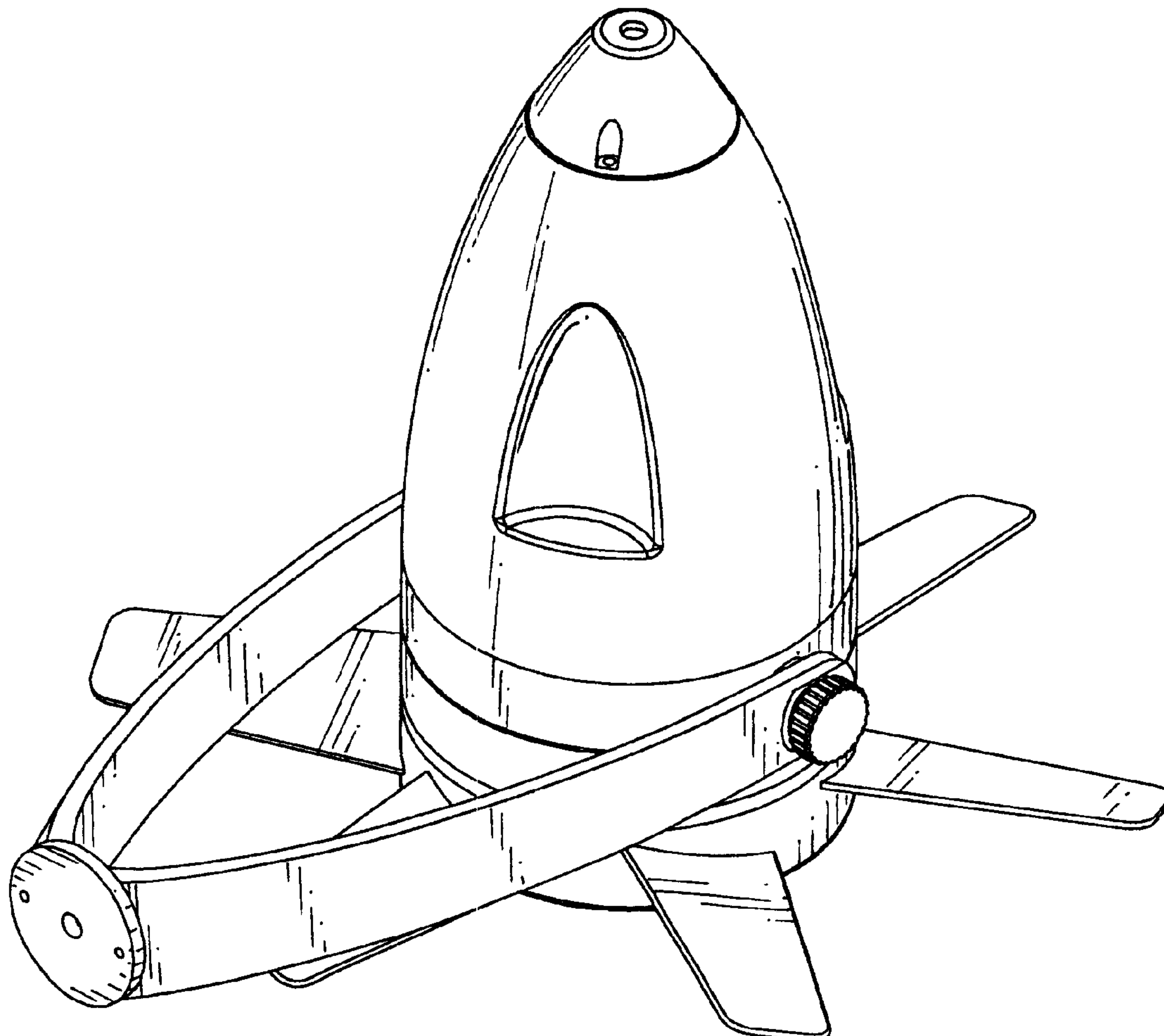
FIG. 6 is a top plan view thereof;

FIG. 7 is a bottom plan view thereof; and,

FIG. 8 is a rear elevational view thereof on a reduced scale shown in its environment.

The broken line showing of environmental structure in FIG. 8 is for illustrative purposes only and forms no part of the claimed design.

**1 Claim, 8 Drawing Sheets**



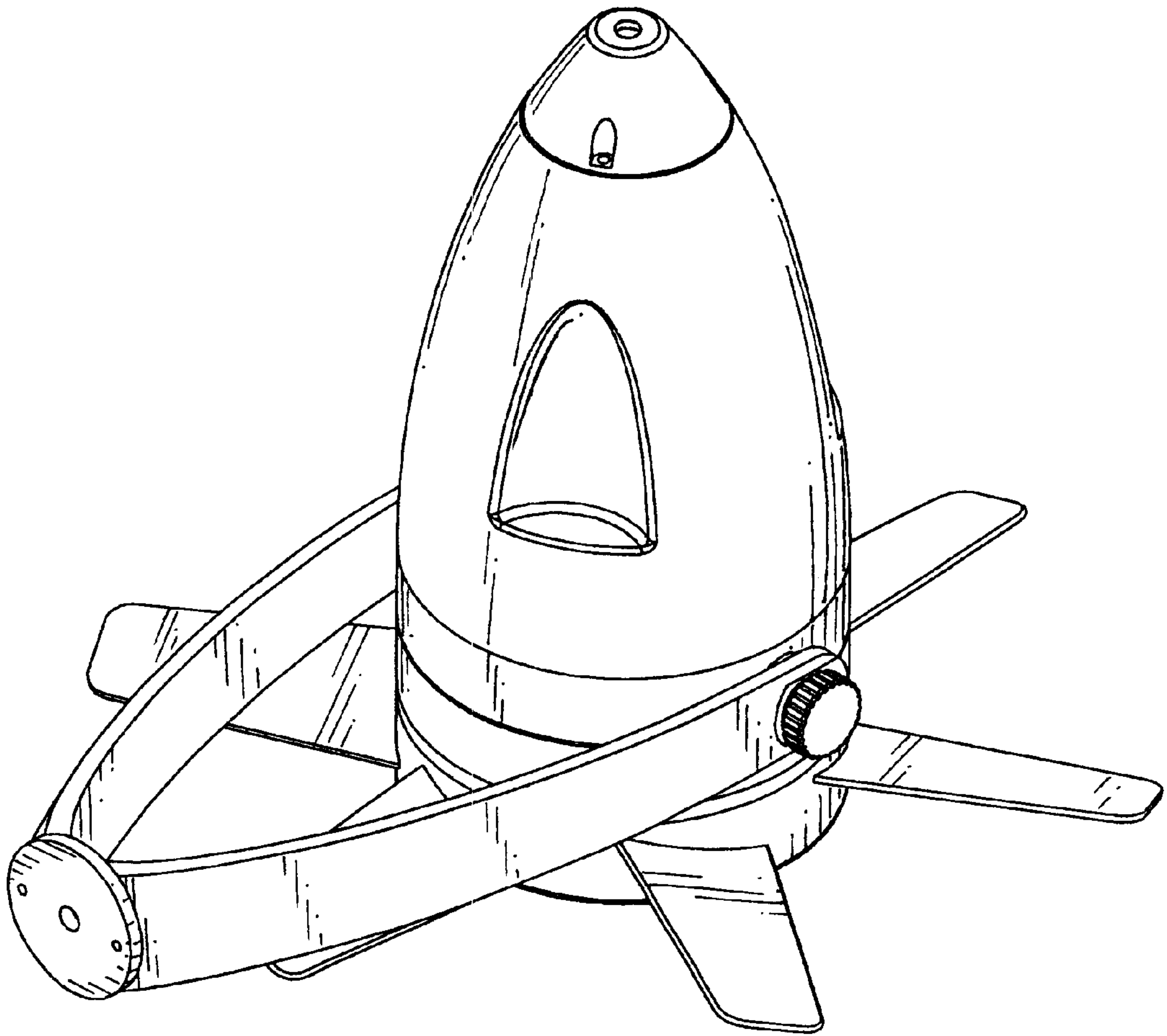


FIG. 1

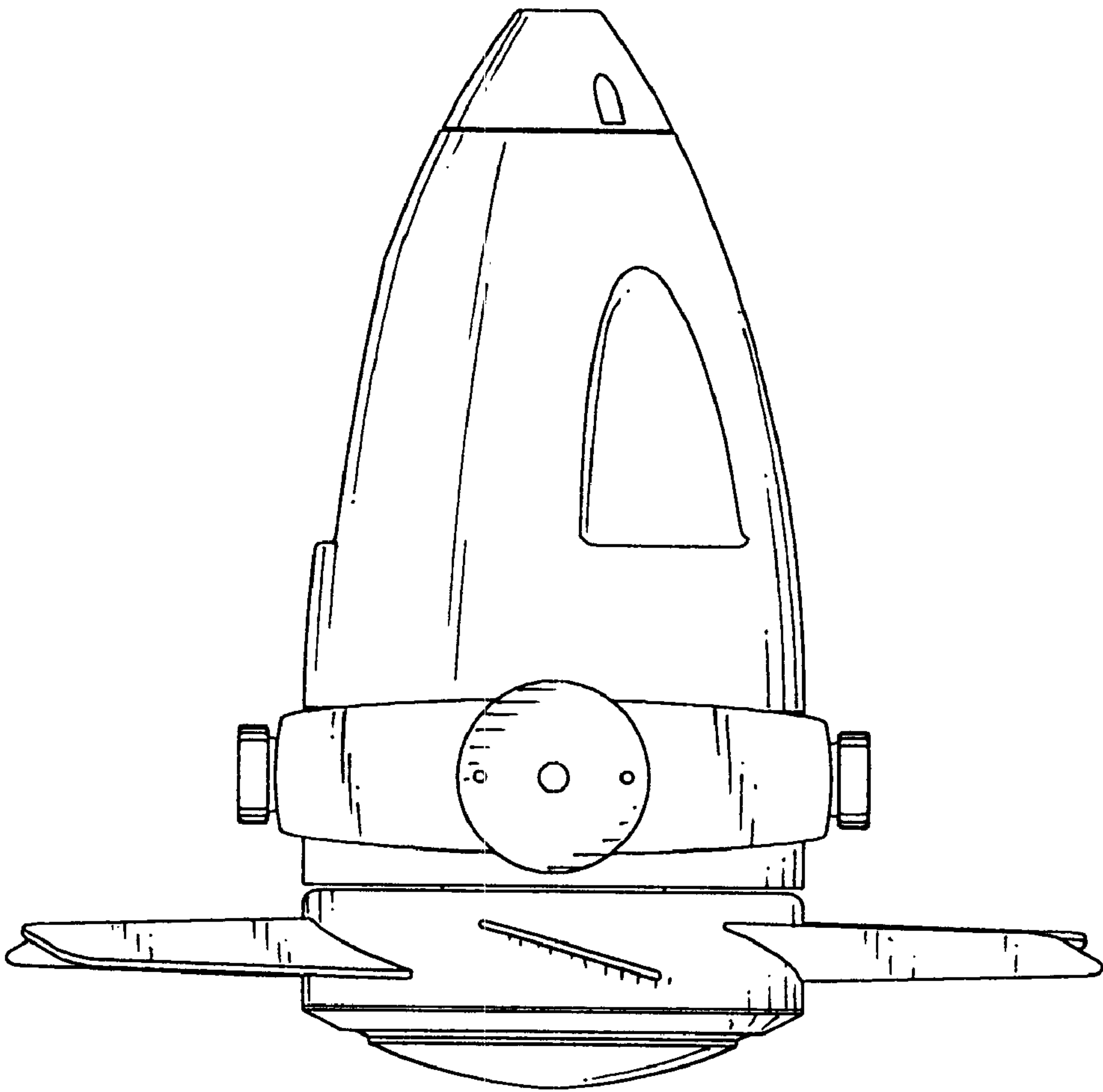


FIG. 2

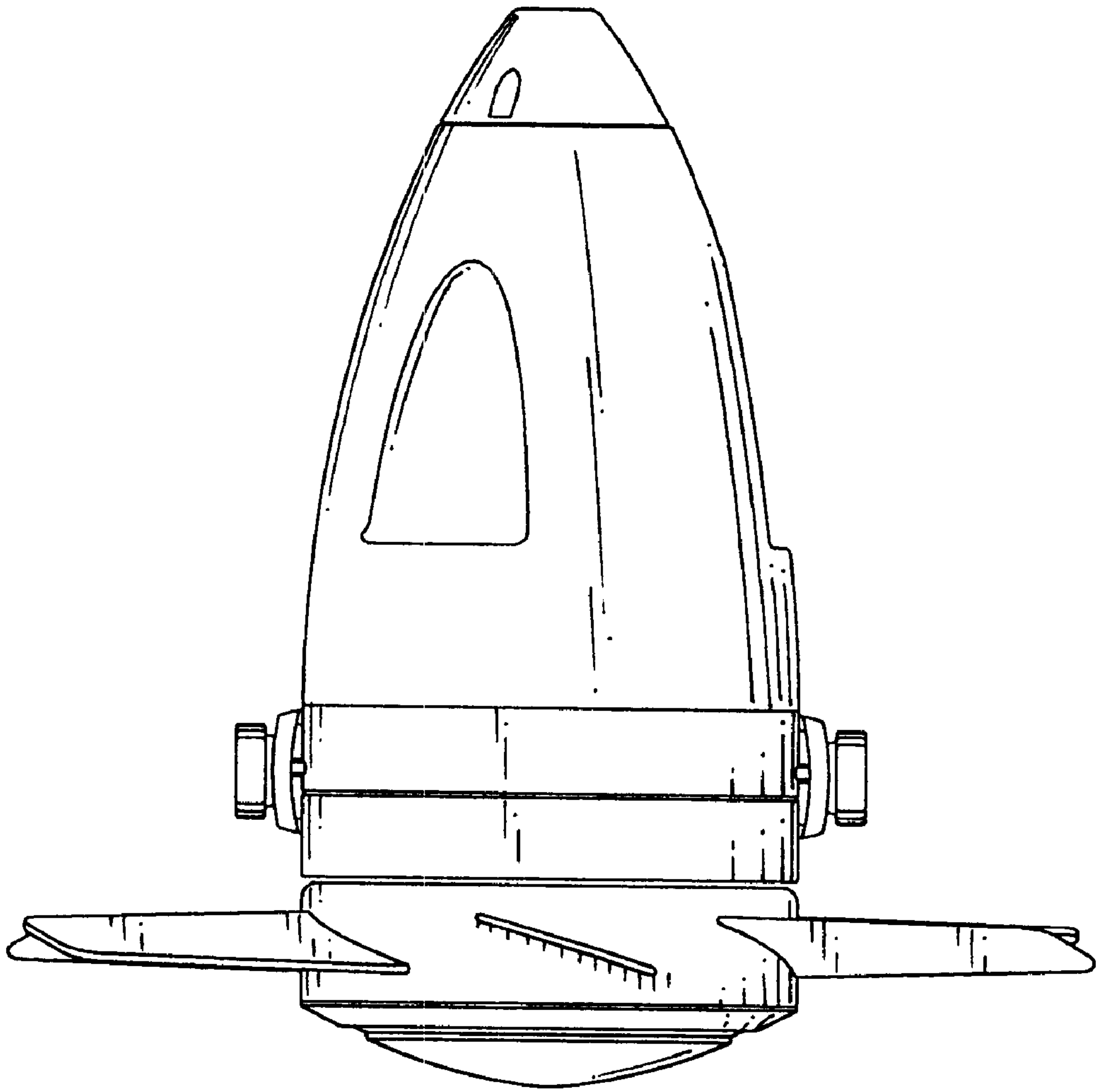


FIG. 3

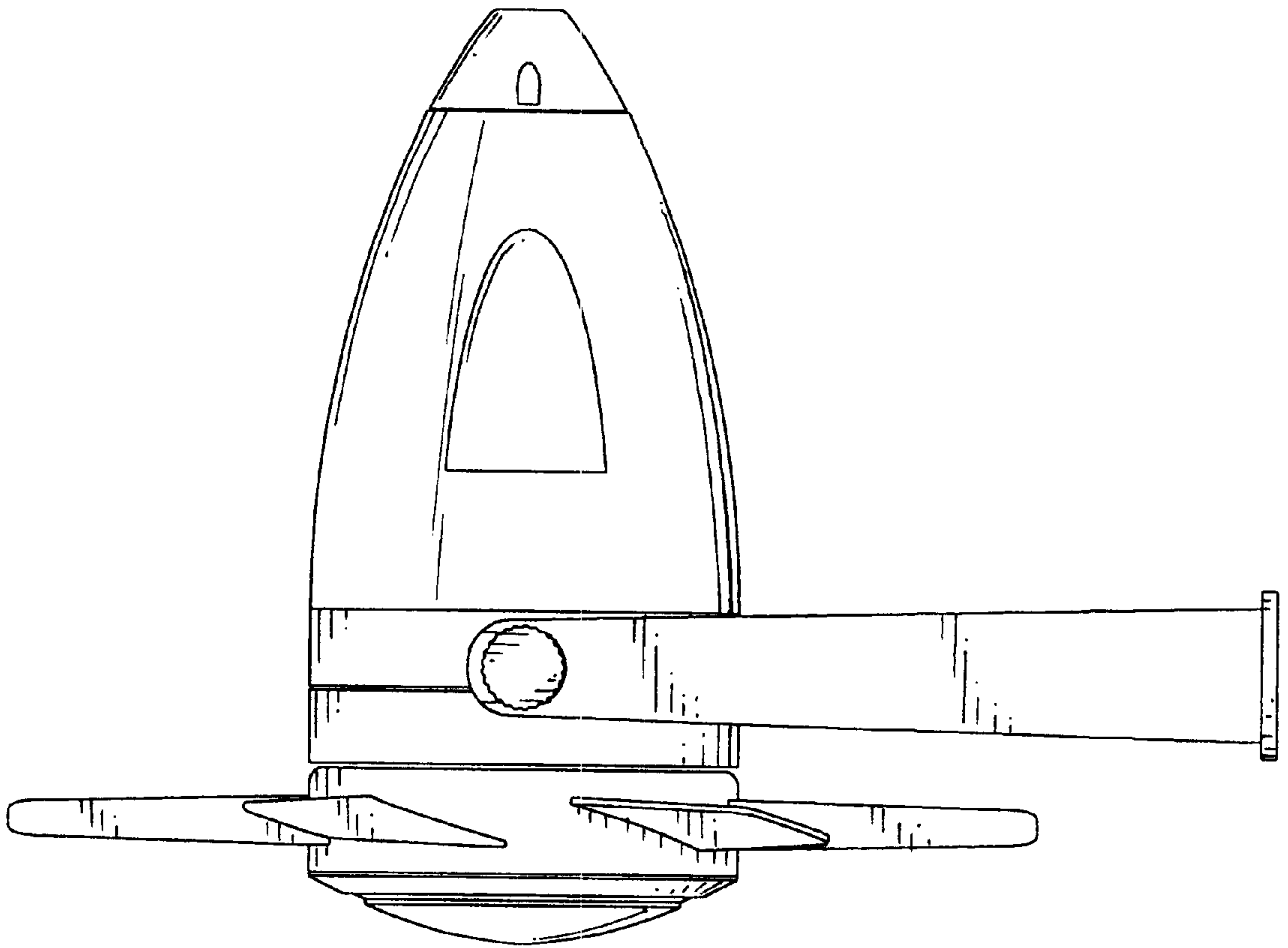


FIG. 4

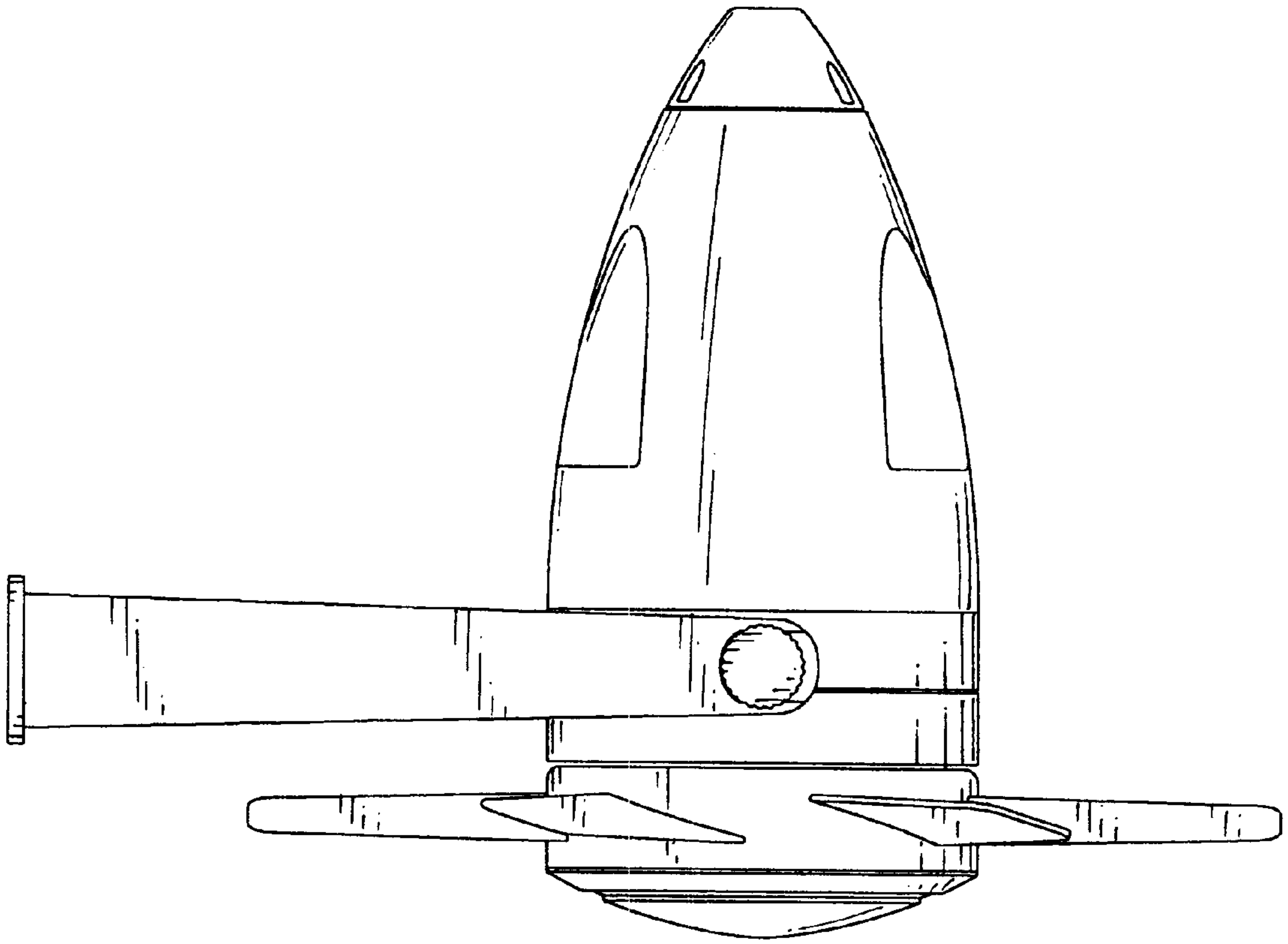


FIG. 5

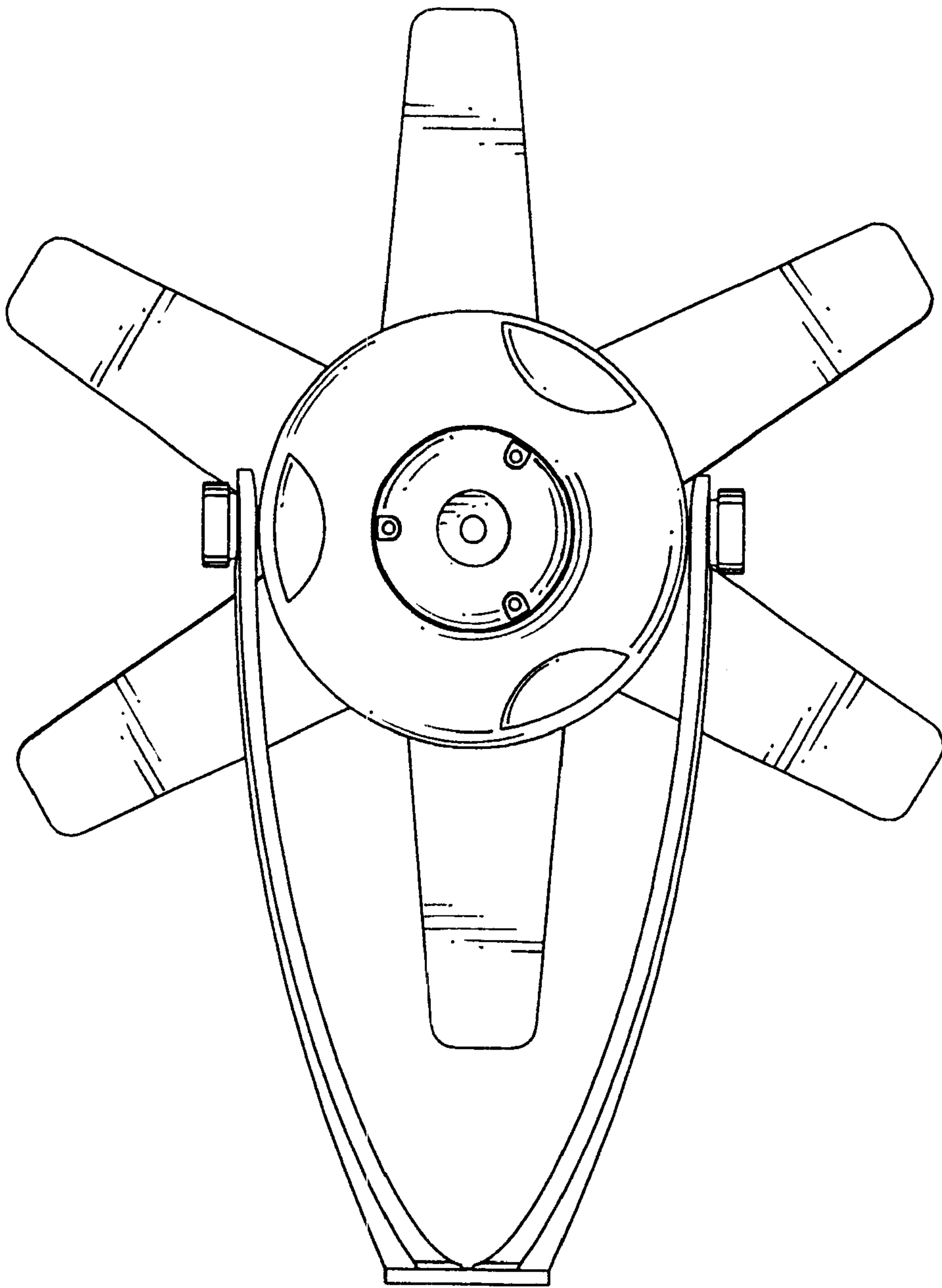


FIG. 6



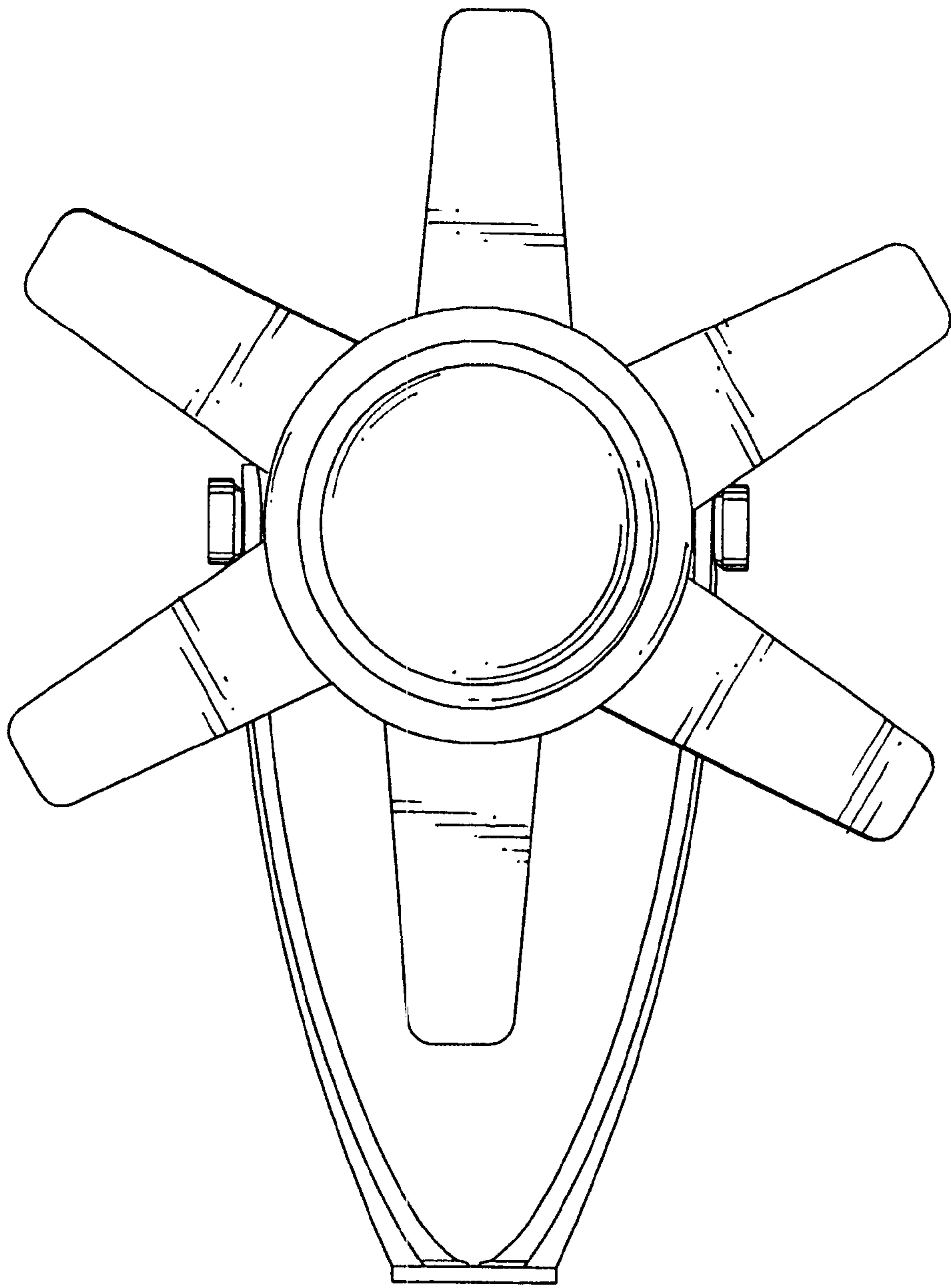


FIG. 7



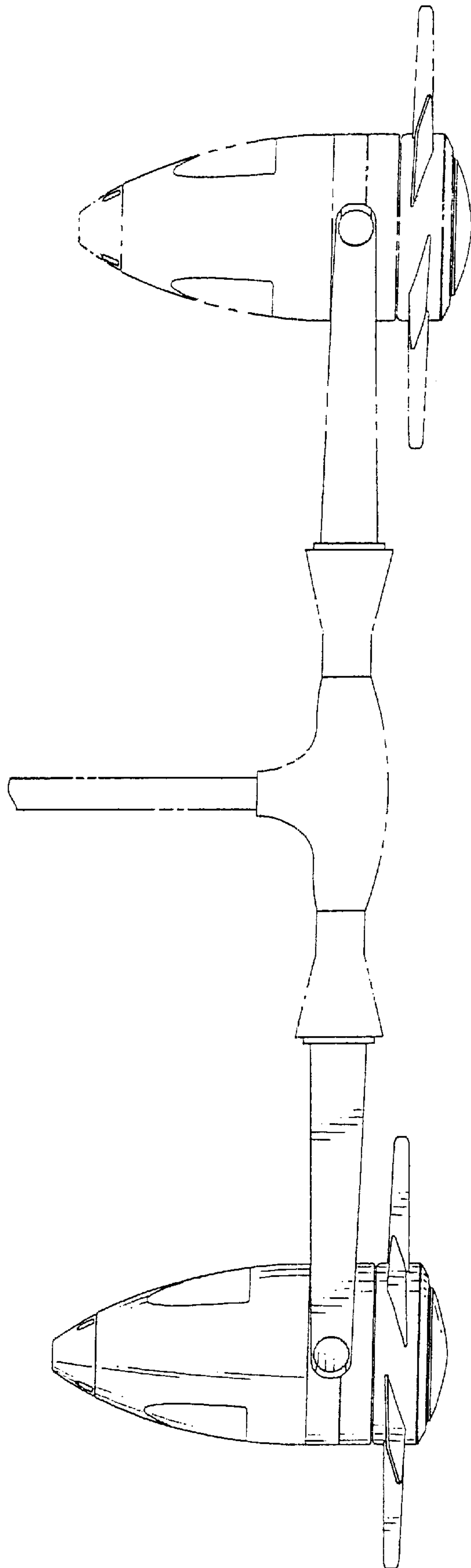


FIG. 8