



US00D478161S

(12) **United States Design Patent**
Collmar

(10) **Patent No.:** **US D478,161 S**

(45) **Date of Patent:** **** Aug. 5, 2003**

(54) **CEILING FAN**

D417,494 S * 12/1999 Evans D23/377
D424,187 S * 5/2000 Lo D23/377

(75) Inventor: **Teddy Patrick Collmar**, Pinetop, AZ
(US)

* cited by examiner

(73) Assignee: **Great 2000 Enterprises Inc.**, Corona,
CA (US)

Primary Examiner—Lisa Lichtenstein
(74) *Attorney, Agent, or Firm*—Rosenberg Klein & Lee

(**) Term: **14 Years**

(57) **CLAIM**

The ornamental design for a ceiling fan, as shown and described.

(21) Appl. No.: **29/165,326**

(22) Filed: **Aug. 9, 2002**

DESCRIPTION

(51) **LOC (7) Cl.** **23-04**

(52) **U.S. Cl.** **D23/377**

(58) **Field of Search** D23/377, 379,
D23/385, 411, 413; 416/5; 392/364; D26/59,
72, 81-86, 88

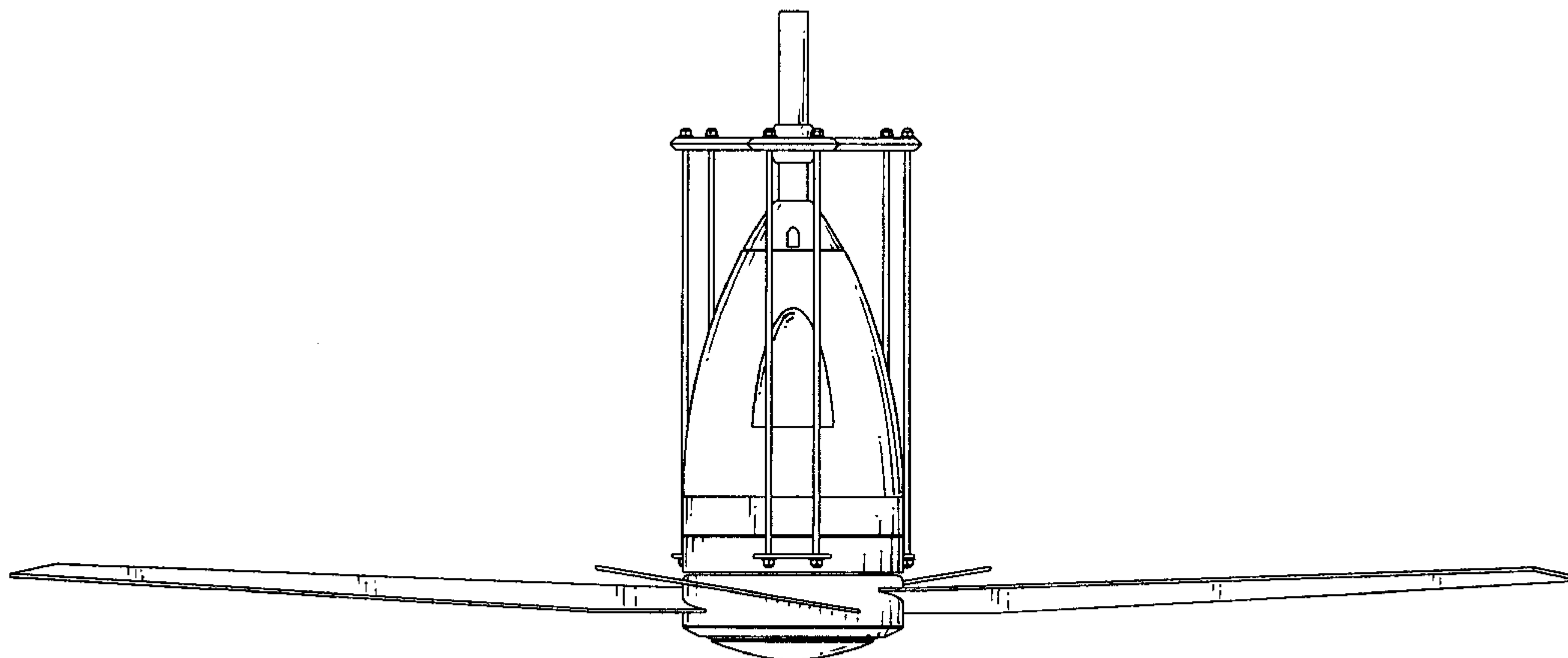
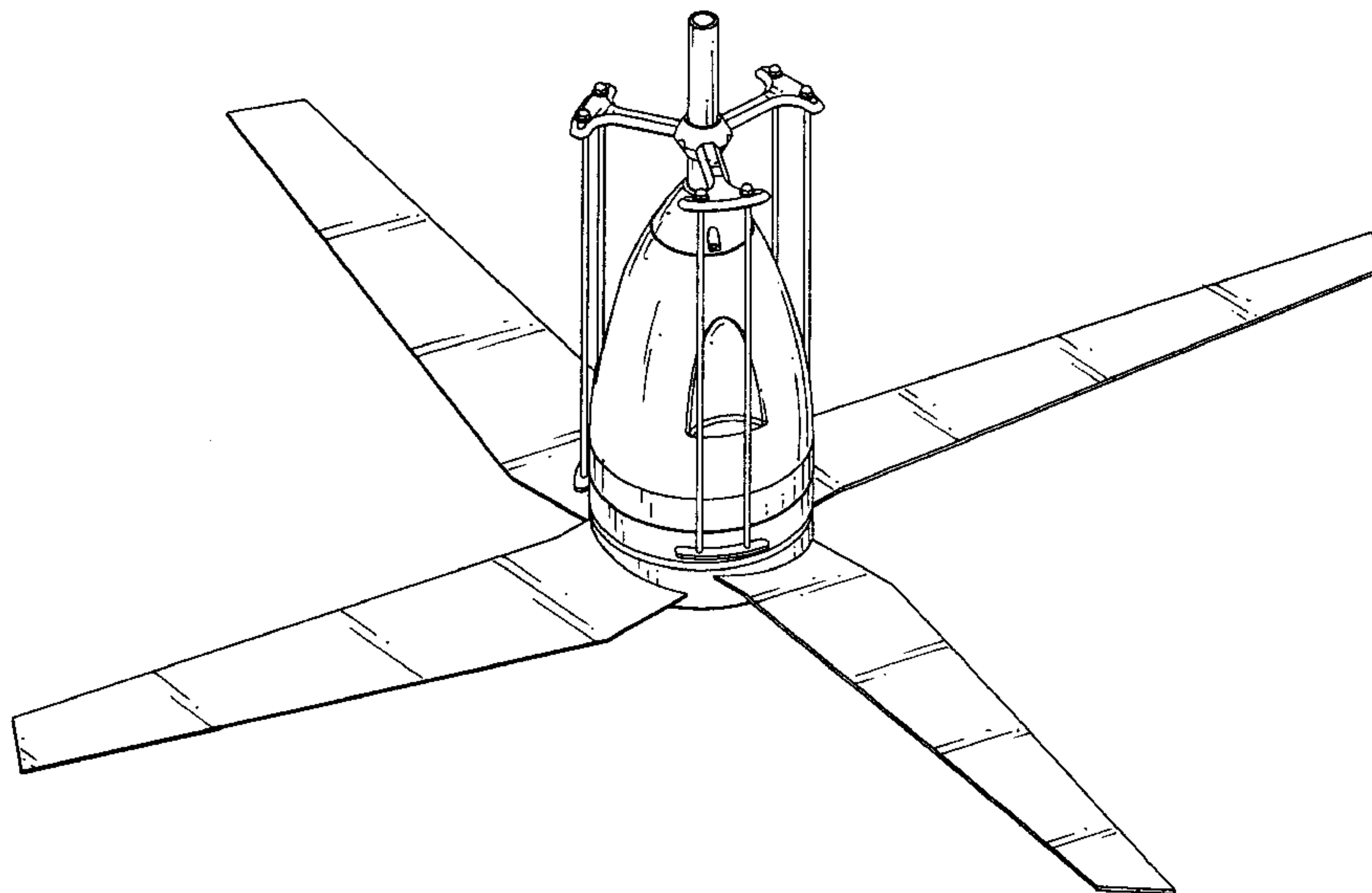
FIG. 1 is a front-right-top perspective view of a ceiling fan, showing my new design;
FIG. 2 is a front elevational view thereof;
FIG. 3 is a rear elevational view thereof;
FIG. 4 is a left side elevational view thereof;
FIG. 5 is a right side elevational view thereof;
FIG. 6 is a top plan view thereof; and,
FIG. 7 is a bottom plan view thereof.

(56) **References Cited**

U.S. PATENT DOCUMENTS

D409,742 S * 5/1999 Yang D23/377

1 Claim, 7 Drawing Sheets



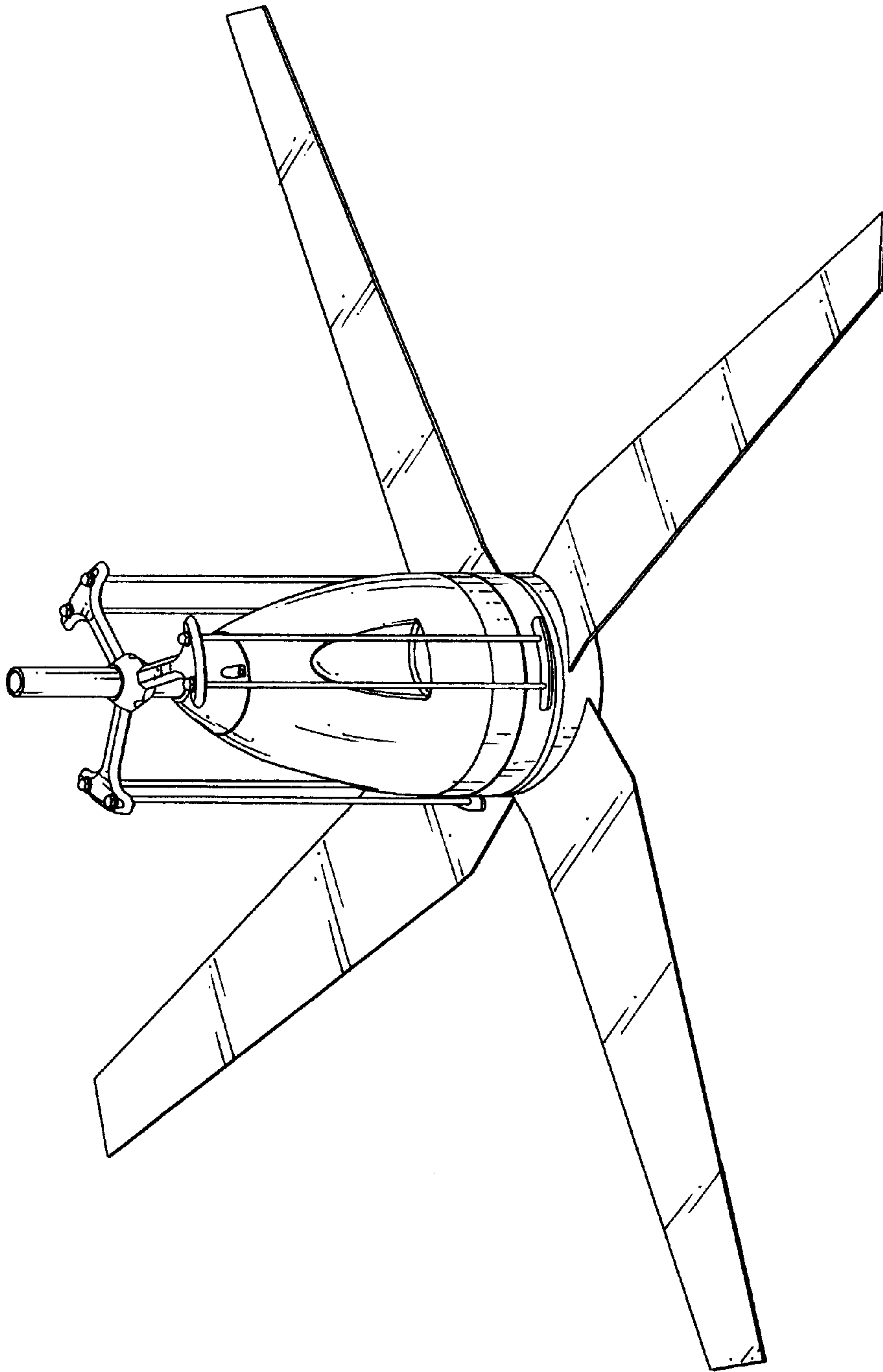


FIG. 1

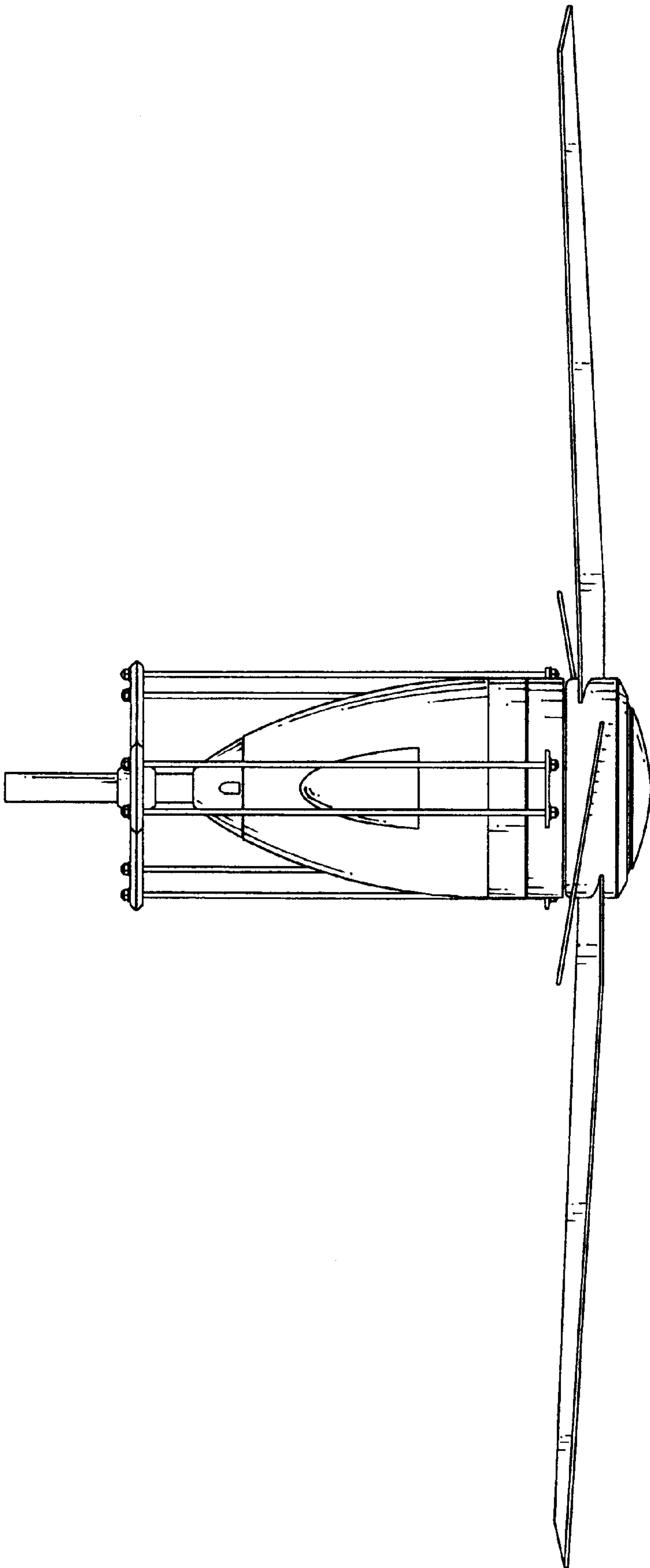


FIG. 2

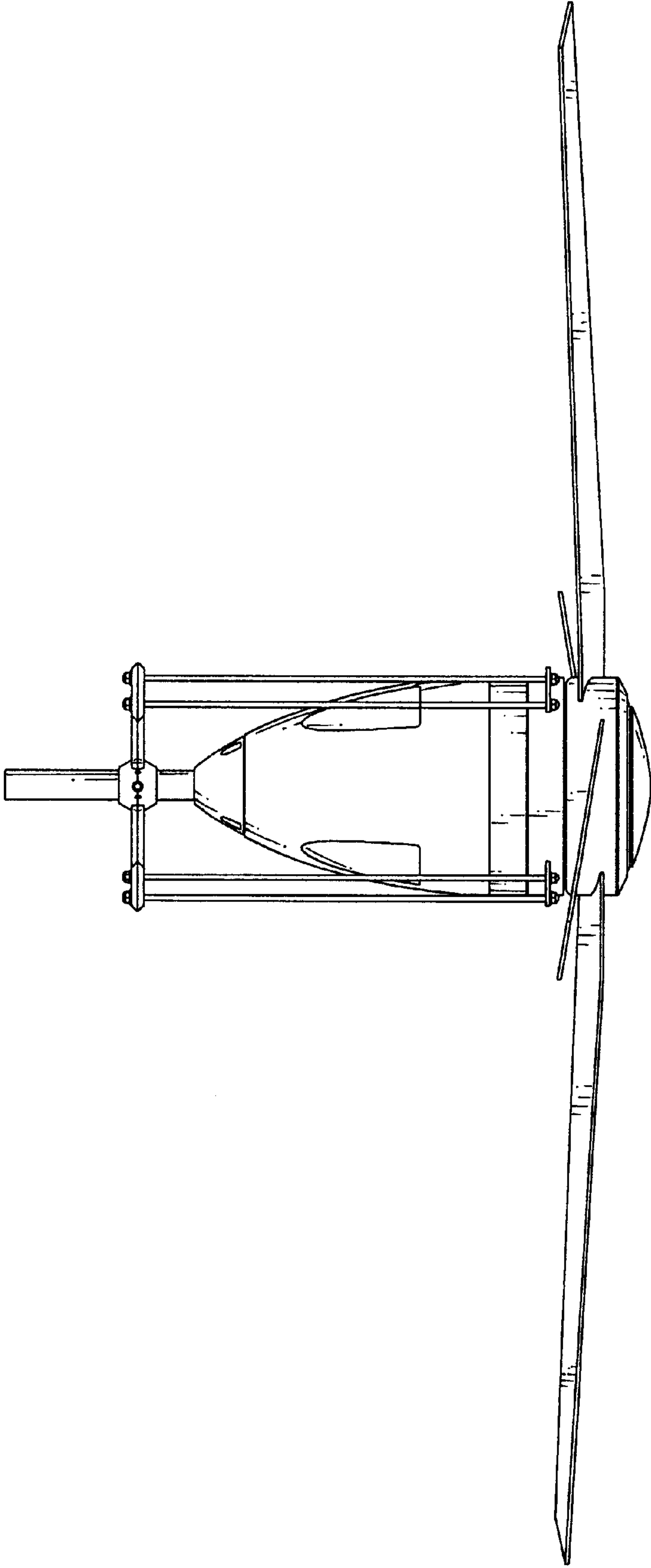


FIG. 3

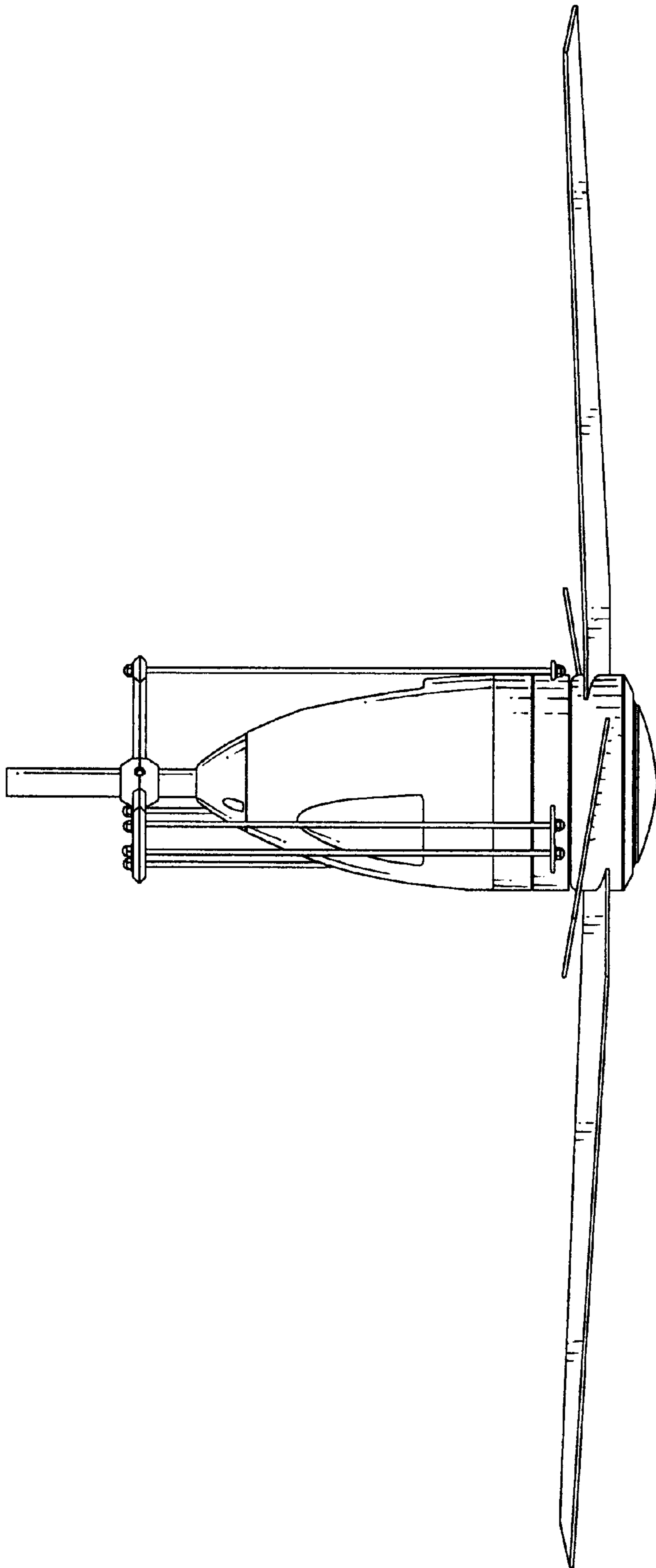


FIG. 4

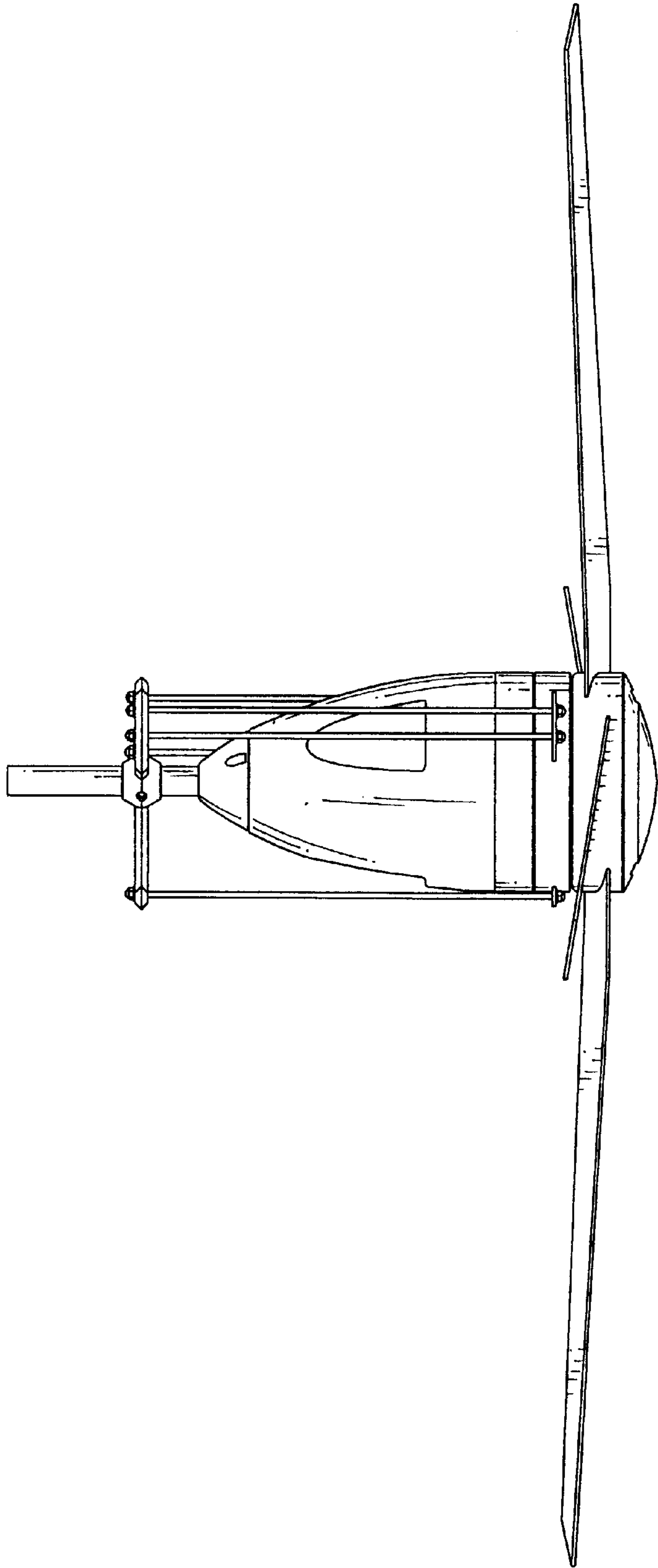


FIG. 5

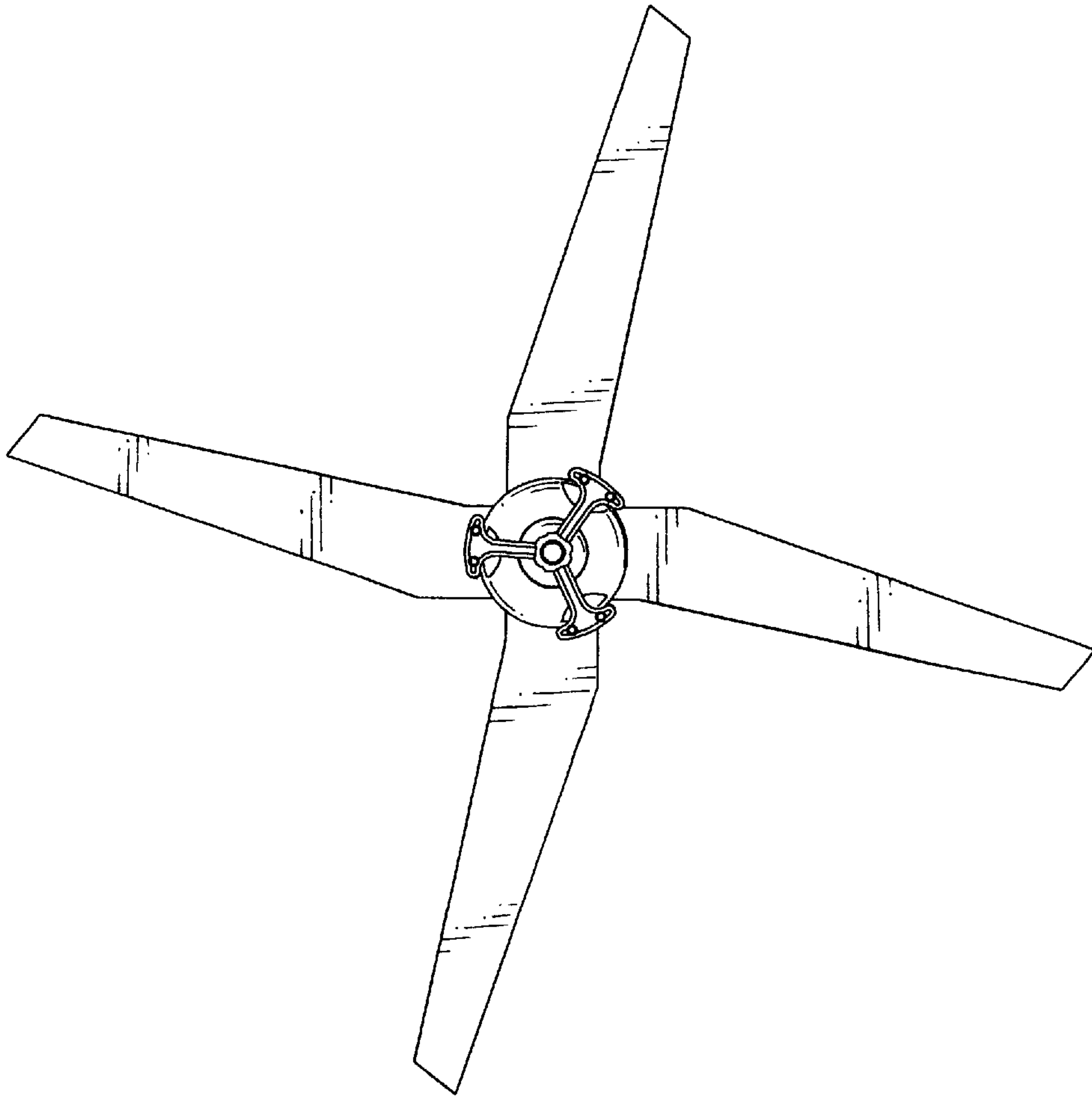


FIG. 6

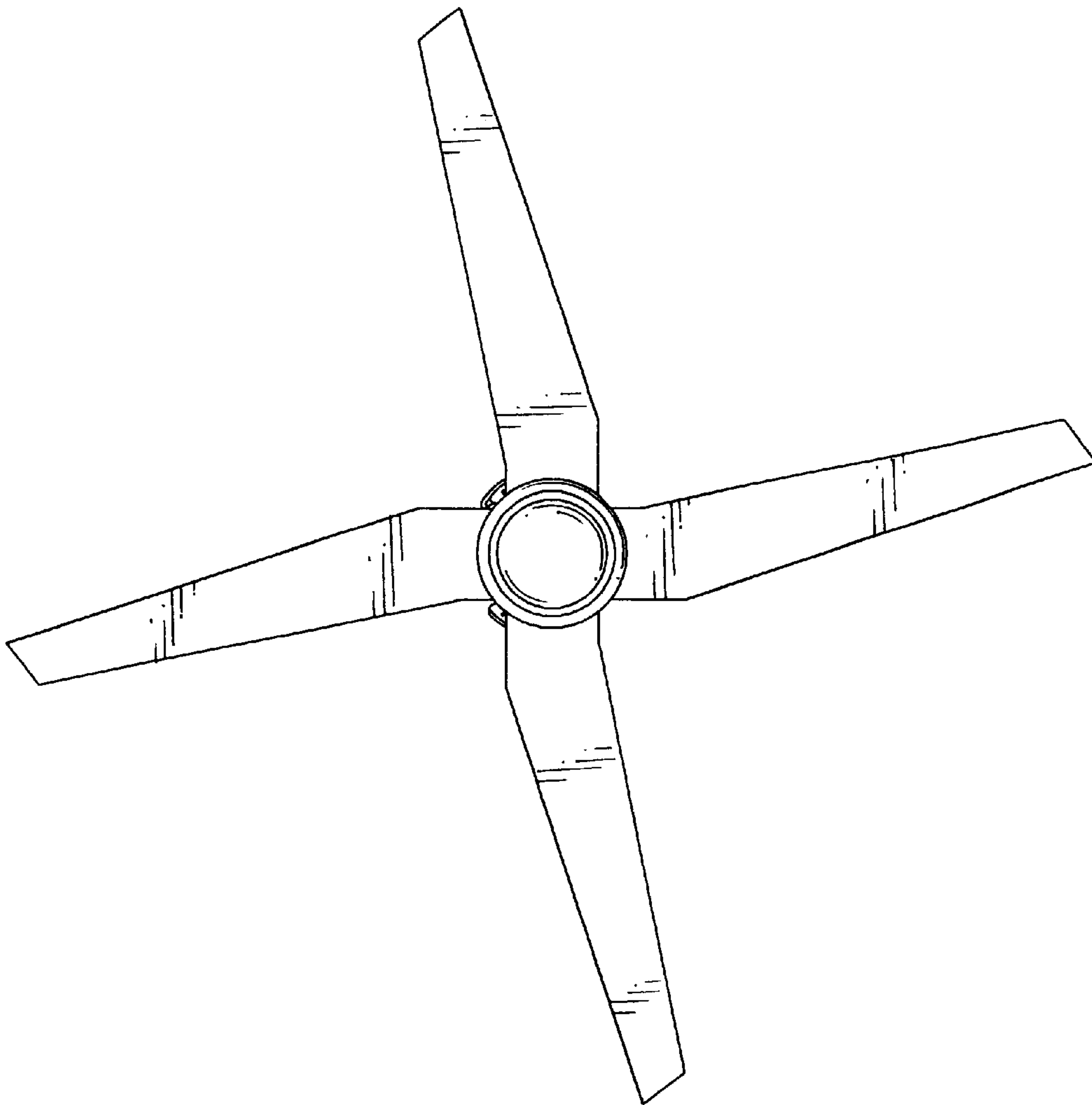


FIG. 7