



US00D478158S

(12) **United States Design Patent**
Ricci

(10) **Patent No.:** **US D478,158 S**

(45) **Date of Patent:** **** Aug. 5, 2003**

(54) **SHOWER FITTING ASSEMBLY**

6,464,265 B1 * 10/2002 Mikol 285/333

(76) Inventor: **George Ricci**, 421 S. California St.,
#D, San Gabriel, CA (US) 91776

* cited by examiner

(**) Term: **14 Years**

Primary Examiner—Robin V. Taylor
(74) *Attorney, Agent, or Firm*—LaValle D. Ptak

(21) Appl. No.: **29/163,006**

(57) **CLAIM**

(22) Filed: **Jun. 25, 2002**

The ornamental design for a shower fitting assembly, as shown and described.

(51) **LOC (7) Cl.** **23-01**

DESCRIPTION

(52) **U.S. Cl.** **D23/259; D23/230**

(58) **Field of Search** D23/259, 213,
D23/229, 230, 304, 249; 239/282, 587.1;
285/333; 4/615

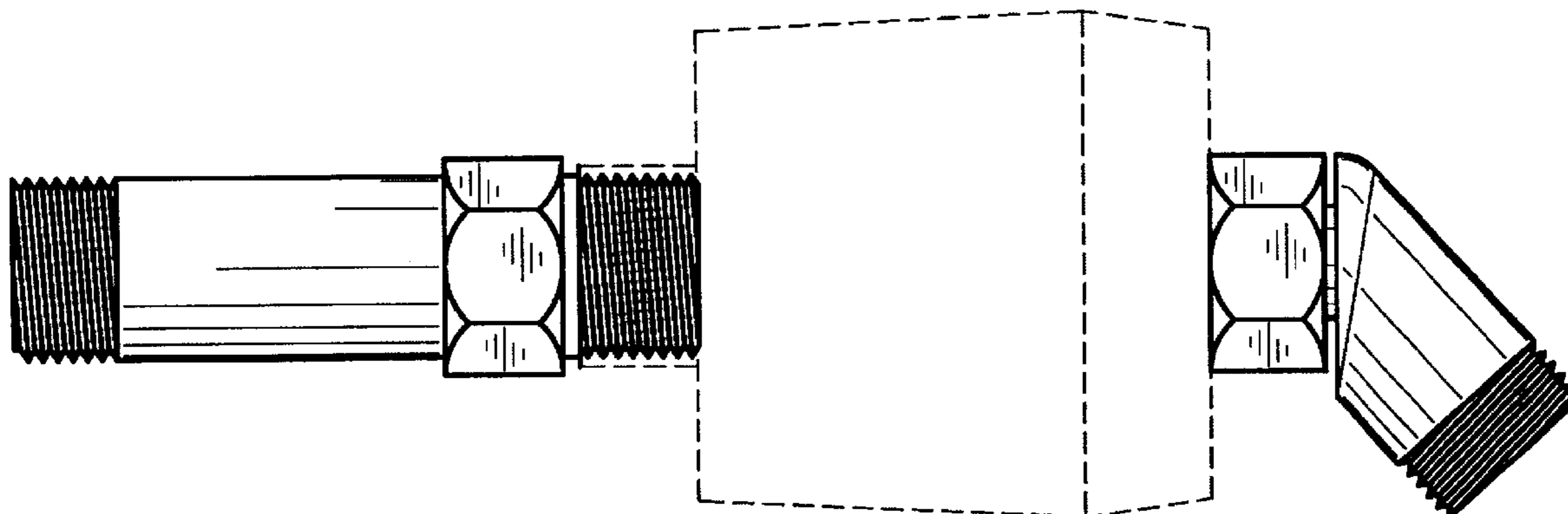
FIG. 1 is a top view of my shower fitting assembly, the dotted line portion of which is not a feature of my design, but which is included to provide a better understanding of my design as it is used and forms no part of the claimed design; FIG. 2 is a right side view of my shower fitting assembly (the left side view being a mirror image thereof); FIG. 3 is a bottom view of my shower fitting assembly; FIG. 4 is a rear view of my shower fitting assembly; and, FIG. 5 is a front view of my shower fitting assembly.

(56) **References Cited**

U.S. PATENT DOCUMENTS

- D215,288 S * 9/1969 Thebiay D23/230
- D347,262 S * 5/1994 Black et al. D23/230
- 6,192,529 B1 * 2/2001 Jones et al. 4/615

1 Claim, 2 Drawing Sheets



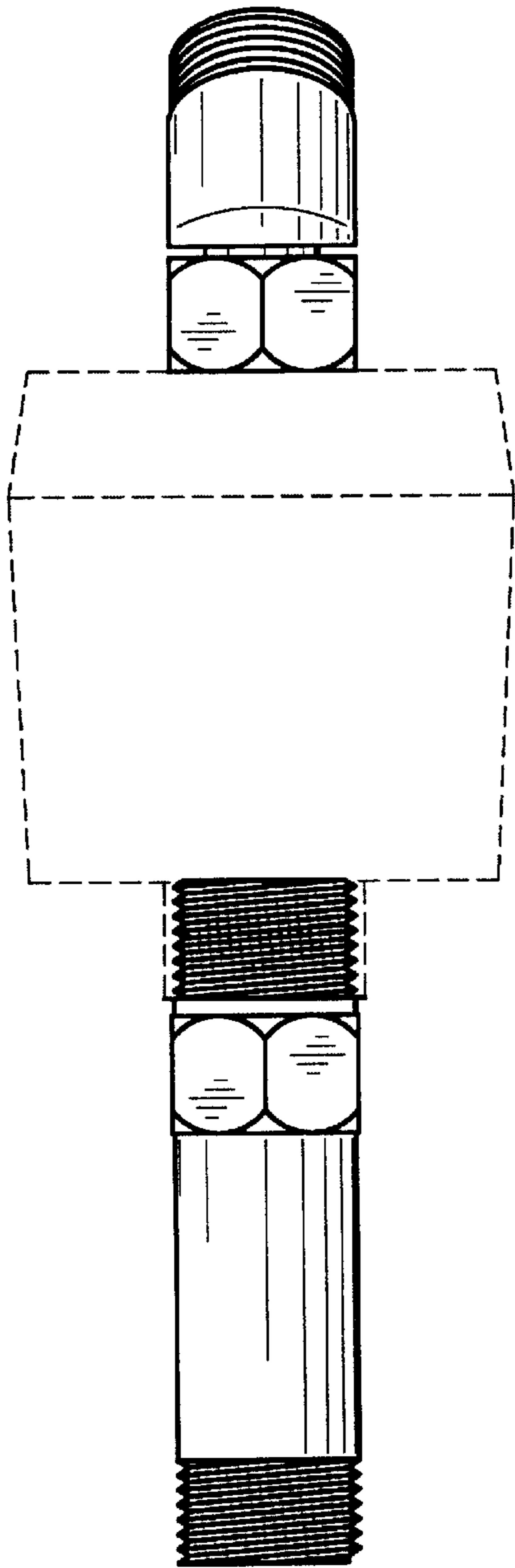


Fig. 1

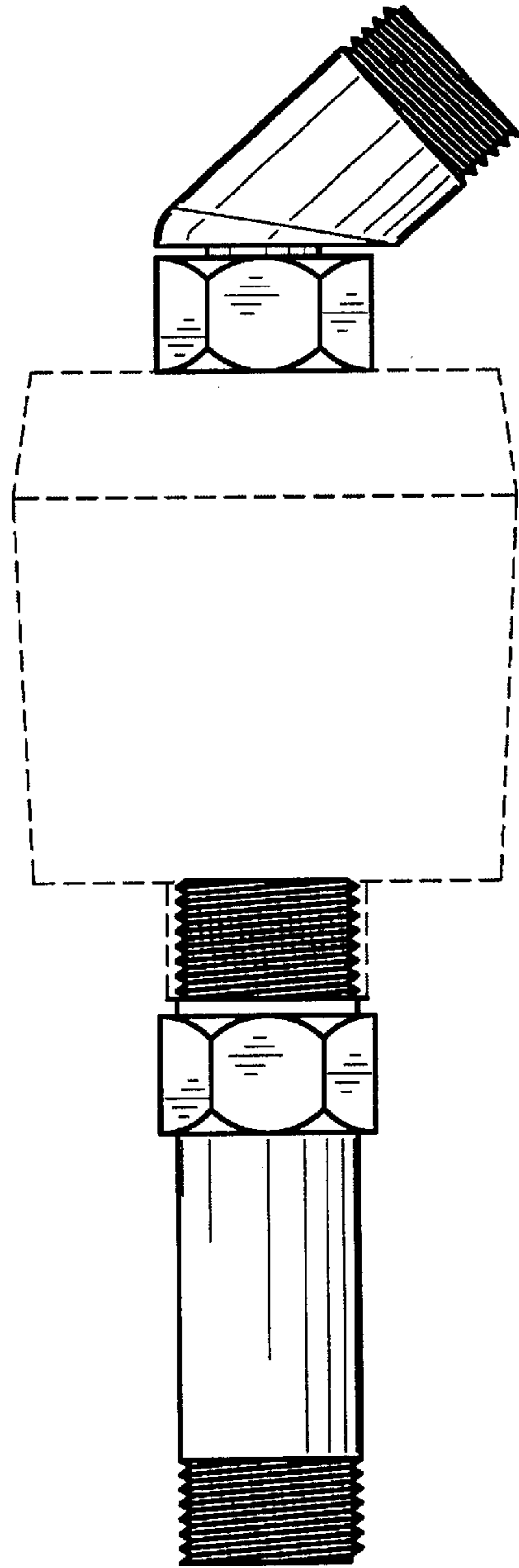


Fig. 2

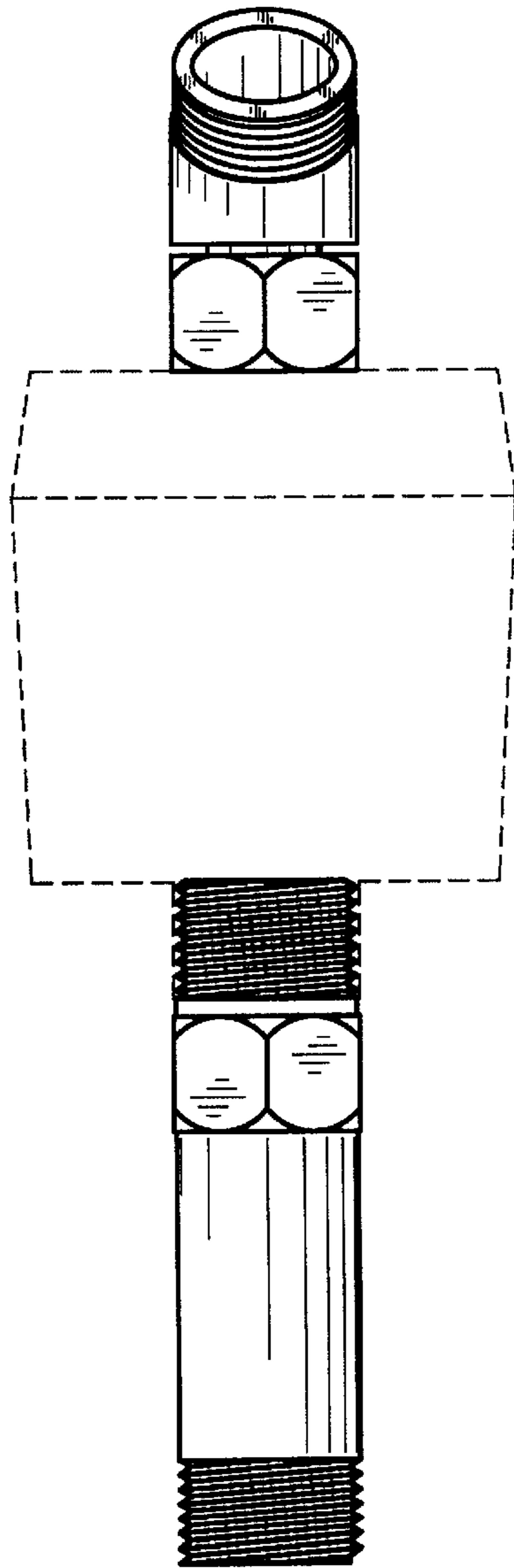


Fig. 3

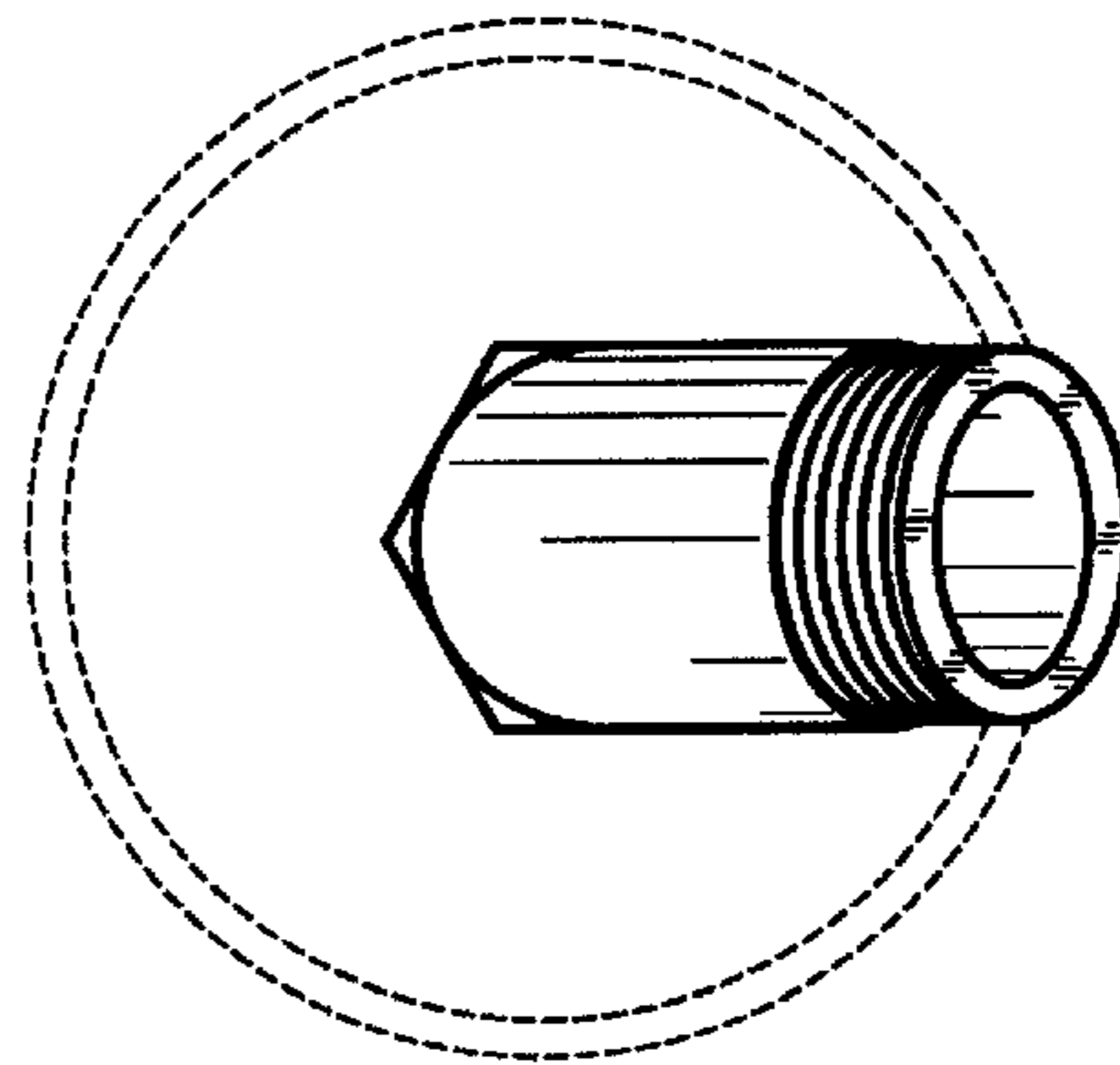


Fig. 4

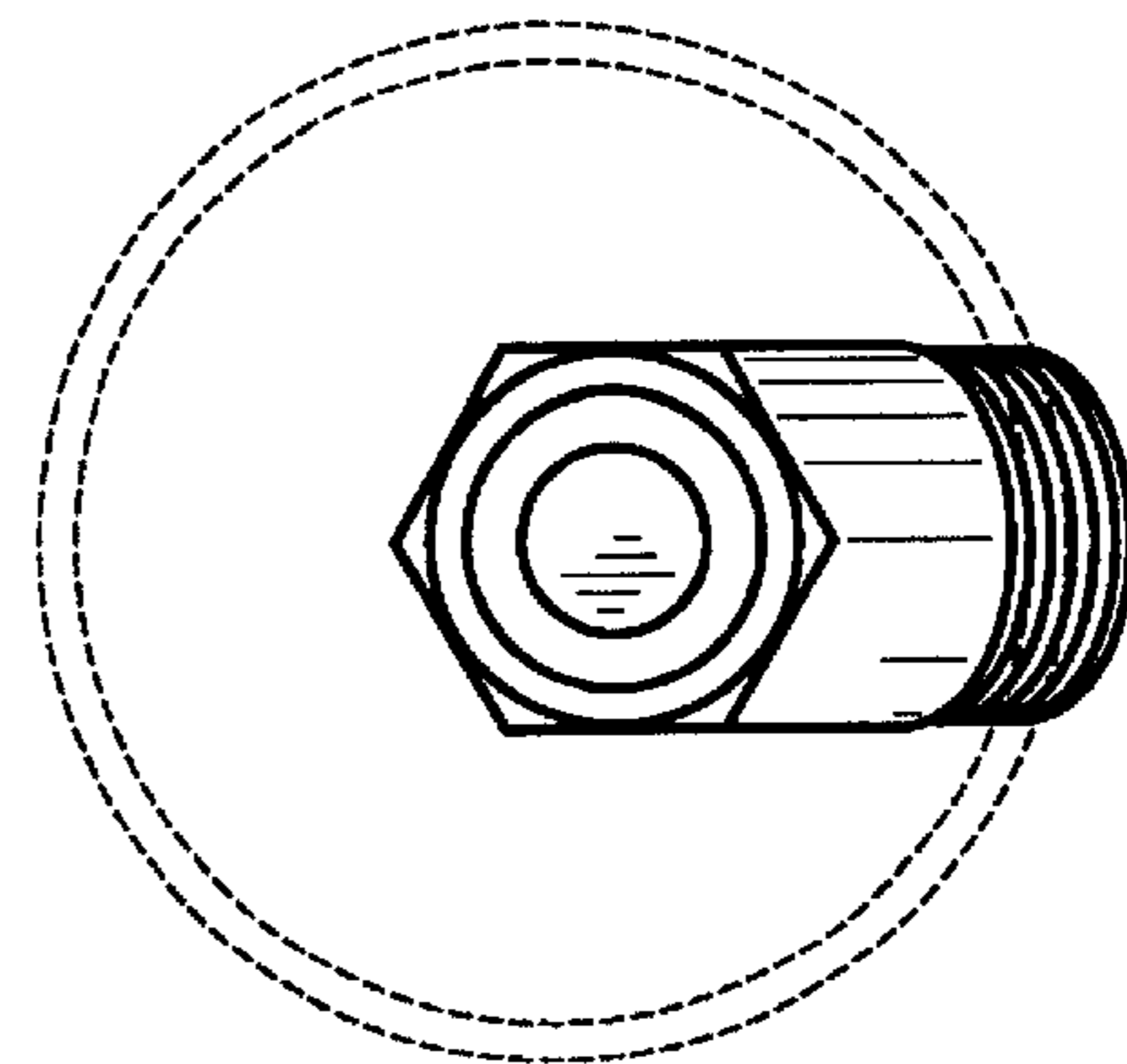


Fig. 5