



US00D478156S

(12) **United States Design Patent**
Veltz

(10) **Patent No.:** **US D478,156 S**

(45) **Date of Patent:** **** Aug. 5, 2003**

(54) **TUB SPOUT**

(75) **Inventor:** **Jason D. Veltz**, Dana Point, CA (US)

(73) **Assignee:** **Newfrey LLC**, Newark, DE (US)

(**) **Term:** **14 Years**

(21) **Appl. No.:** **29/153,034**

(22) **Filed:** **Dec. 20, 2001**

(51) **LOC (7) Cl.** **23-01**

(52) **U.S. Cl.** **D23/255**

(58) **Field of Search** D23/238-243,
D23/250-257; 4/675-678; 139/801

(56) **References Cited**

U.S. PATENT DOCUMENTS

D76,996 S	11/1928	Fraser	
D77,377 S	1/1929	Thompson	
D96,625 S	8/1935	Robinovitz	
D111,011 S	8/1938	Bloch	
D114,200 S	4/1939	Sedlon et al.	
D121,280 S	7/1940	Keller	
D121,281 S	7/1940	Keller	
2,591,991 A	4/1952	Young	
D169,405 S	1/1953	Young	
D171,572 S	3/1954	Baker, Jr.	
3,079,093 A	2/1963	Bellows	
D211,874 S	* 8/1968	Mongerson	D23/257
D236,895 S	* 9/1975	Du Bois	D23/255
D261,027 S	* 9/1981	Klose	D23/255
D291,233 S	8/1987	Jans	
D295,067 S	4/1988	Fabian	

D353,877 S	12/1994	Rogers
D366,100 S	1/1996	Doughty et al.
D381,396 S	7/1997	Paterson et al.
D428,971 S	8/2000	Milrud et al.
D431,285 S	9/2000	Paterson et al.
D443,031 S	5/2001	Strader et al.
6,317,905 B1	11/2001	Slothower

* cited by examiner

Primary Examiner—Louis S. Zarfaz

Assistant Examiner—Gregory Andoll

(74) *Attorney, Agent, or Firm*—Richard J. Veltman; John D. Del Ponti

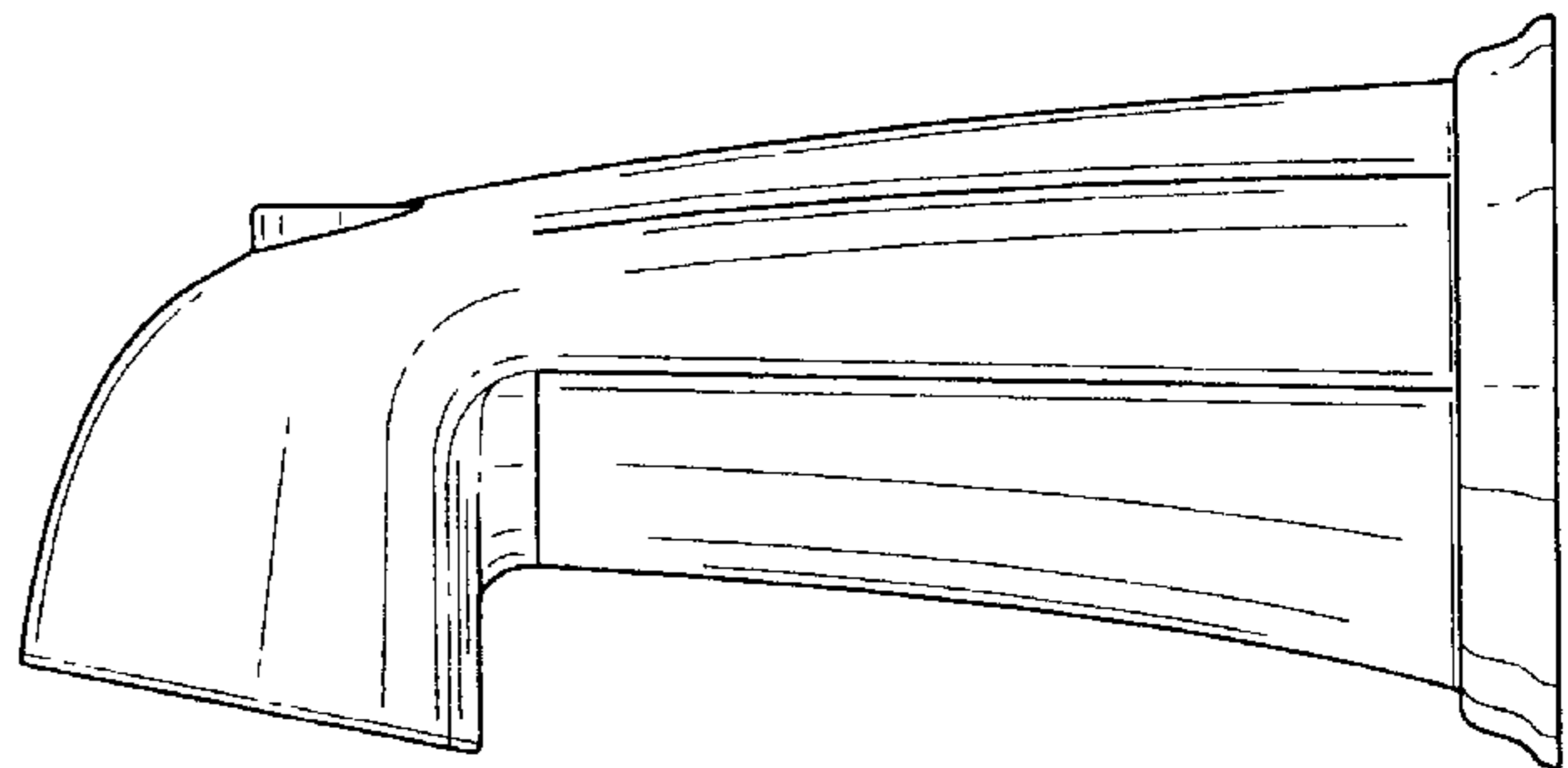
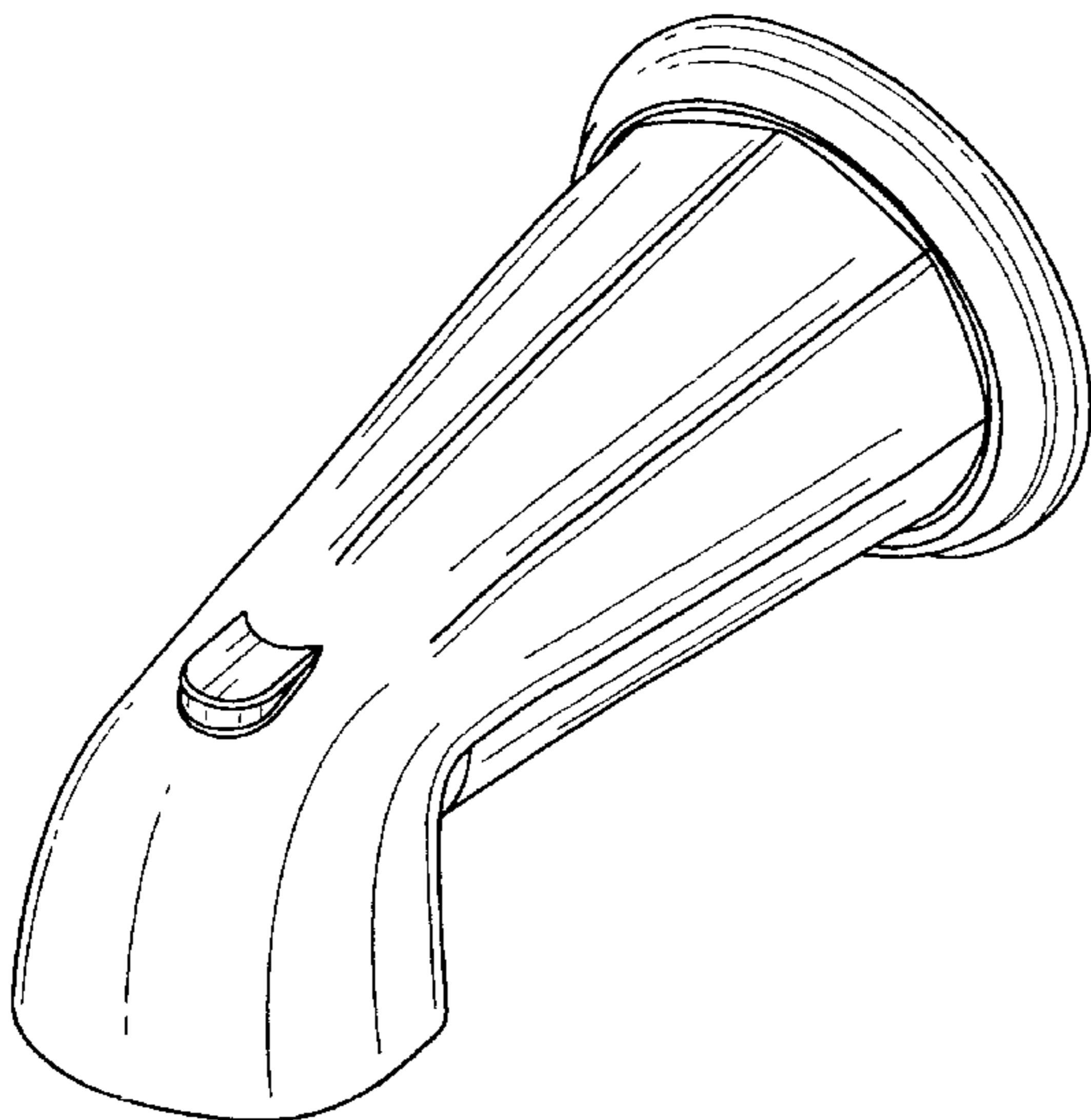
(57) **CLAIM**

The ornamental design for a tub spout, as shown and described.

DESCRIPTION

FIG. 1 is a perspective view of the new design for a tub spout;
 FIG. 2 is a right elevational view of the new design for a tub spout, the left elevational view being a mirror image;
 FIG. 3 is a top plan view of the new design for a tub spout;
 FIG. 4 is a bottom plan view of the new design for a tub spout;
 FIG. 5 is a front elevational view of the new design for a tub spout; and,
 FIG. 6 is a rear elevational view of the new design for a tub spout.
 The broken lines in the Figures are for illustrative purposes only and form no part of the claimed design.

1 Claim, 6 Drawing Sheets



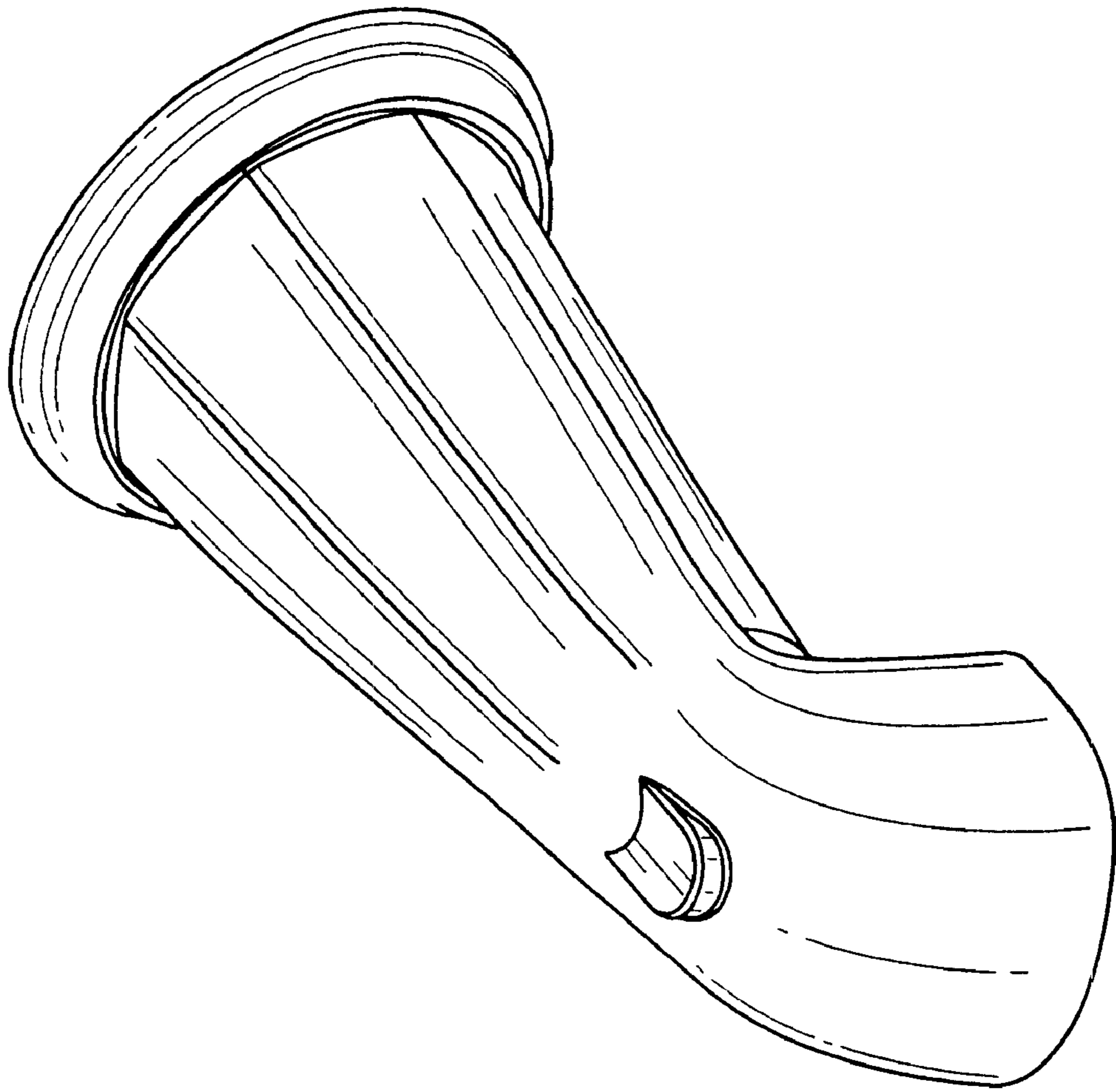


FIG. 1

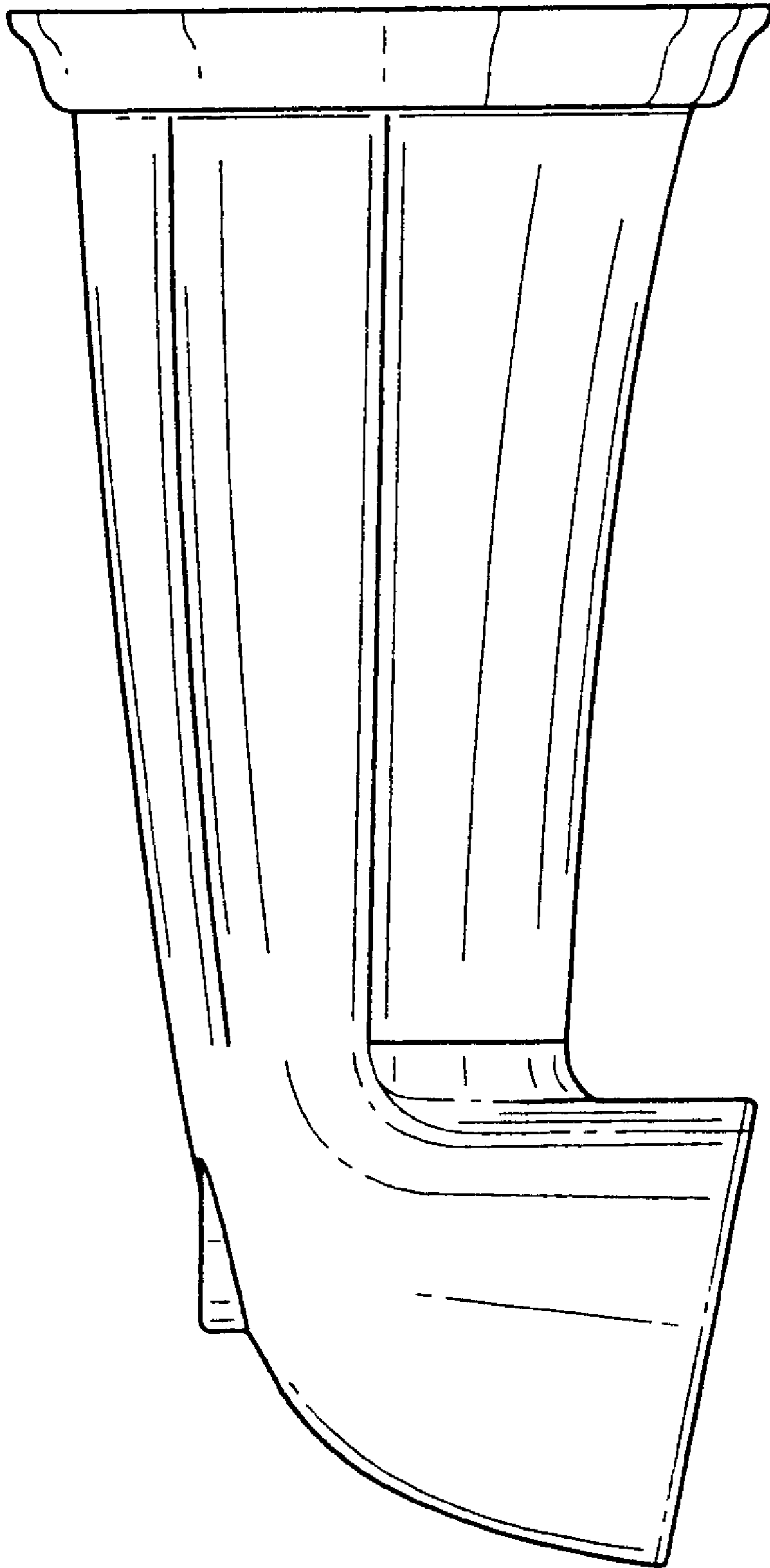


FIG. 2

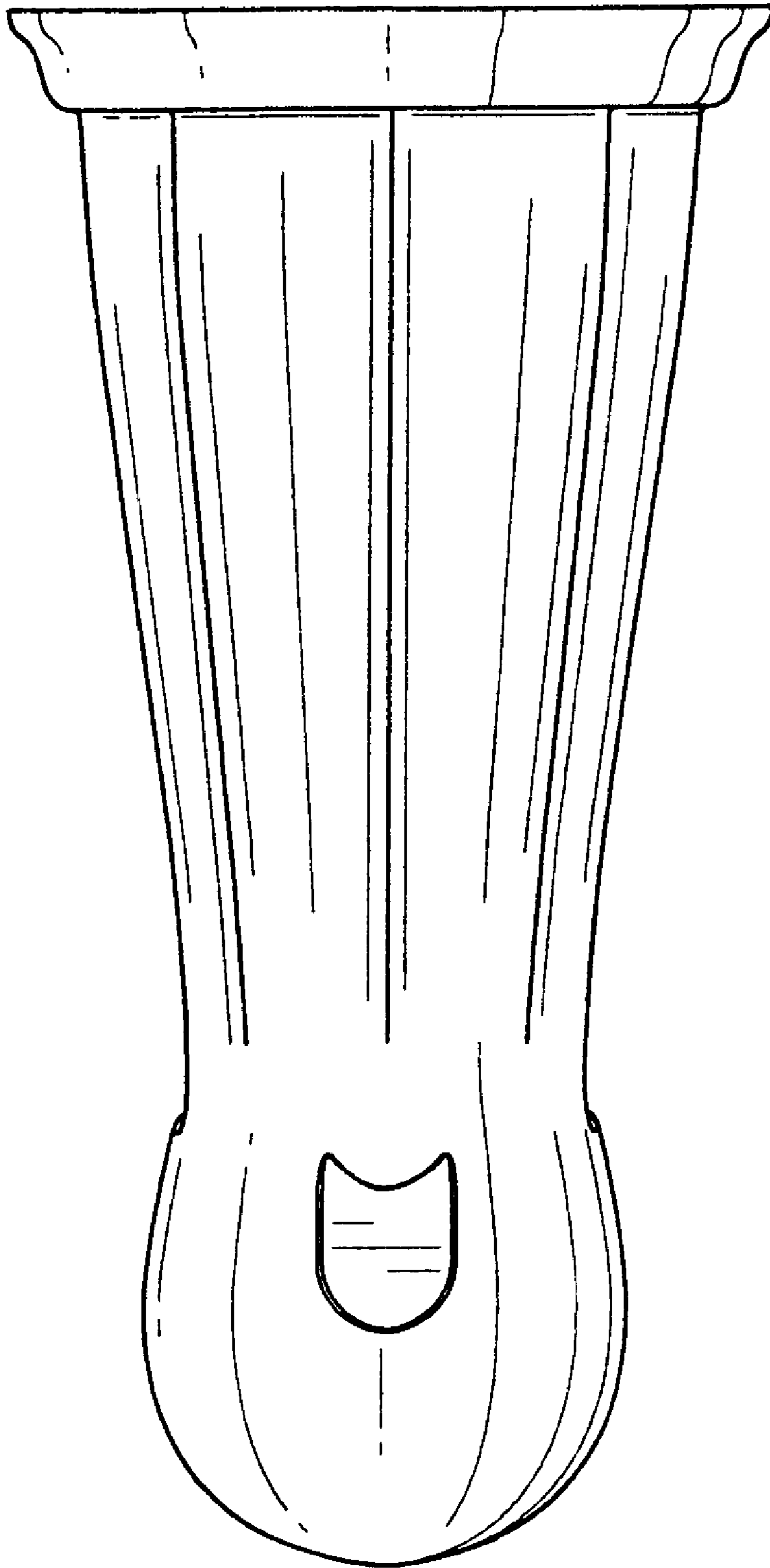


FIG. 3

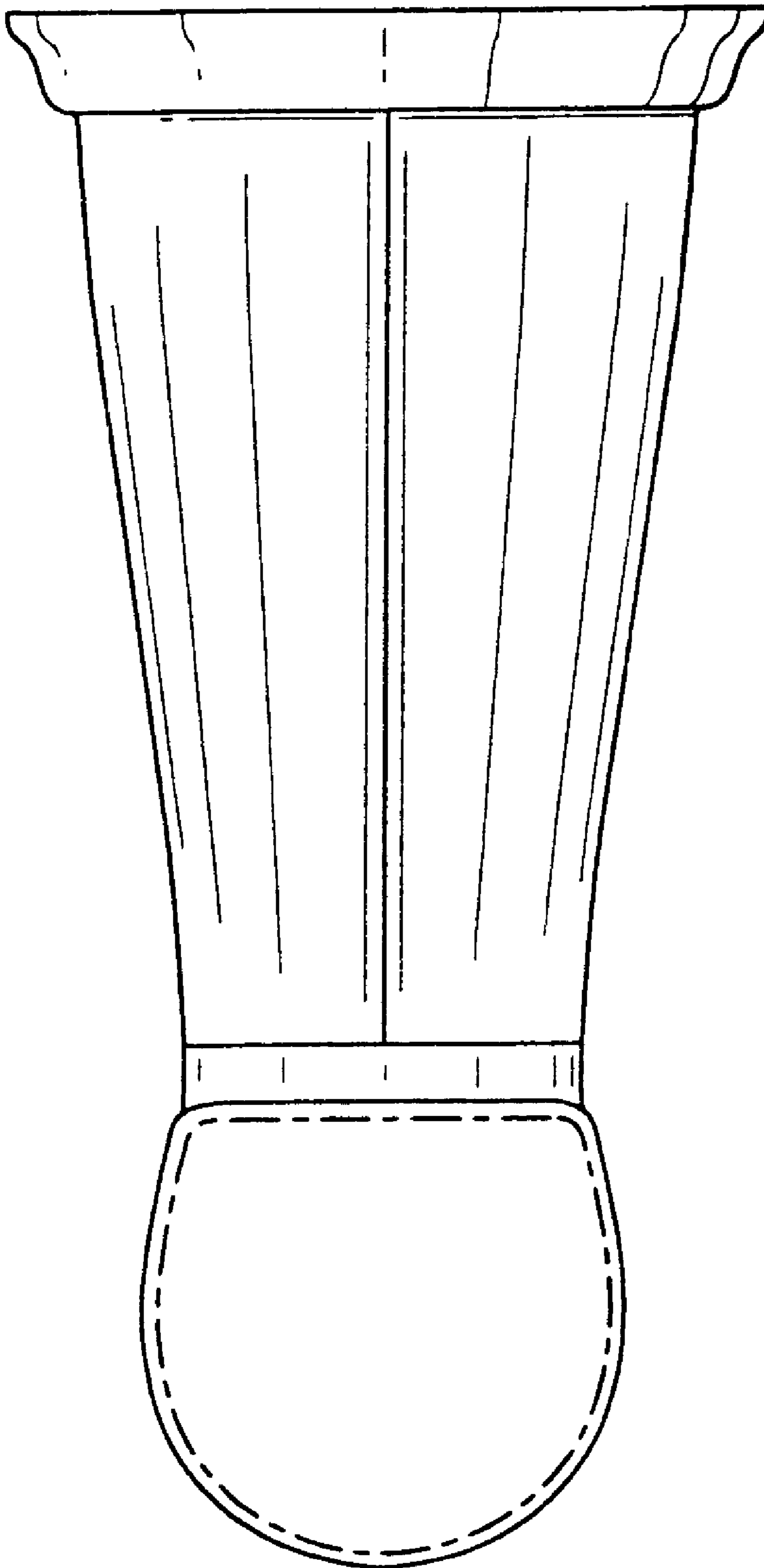


FIG. 4

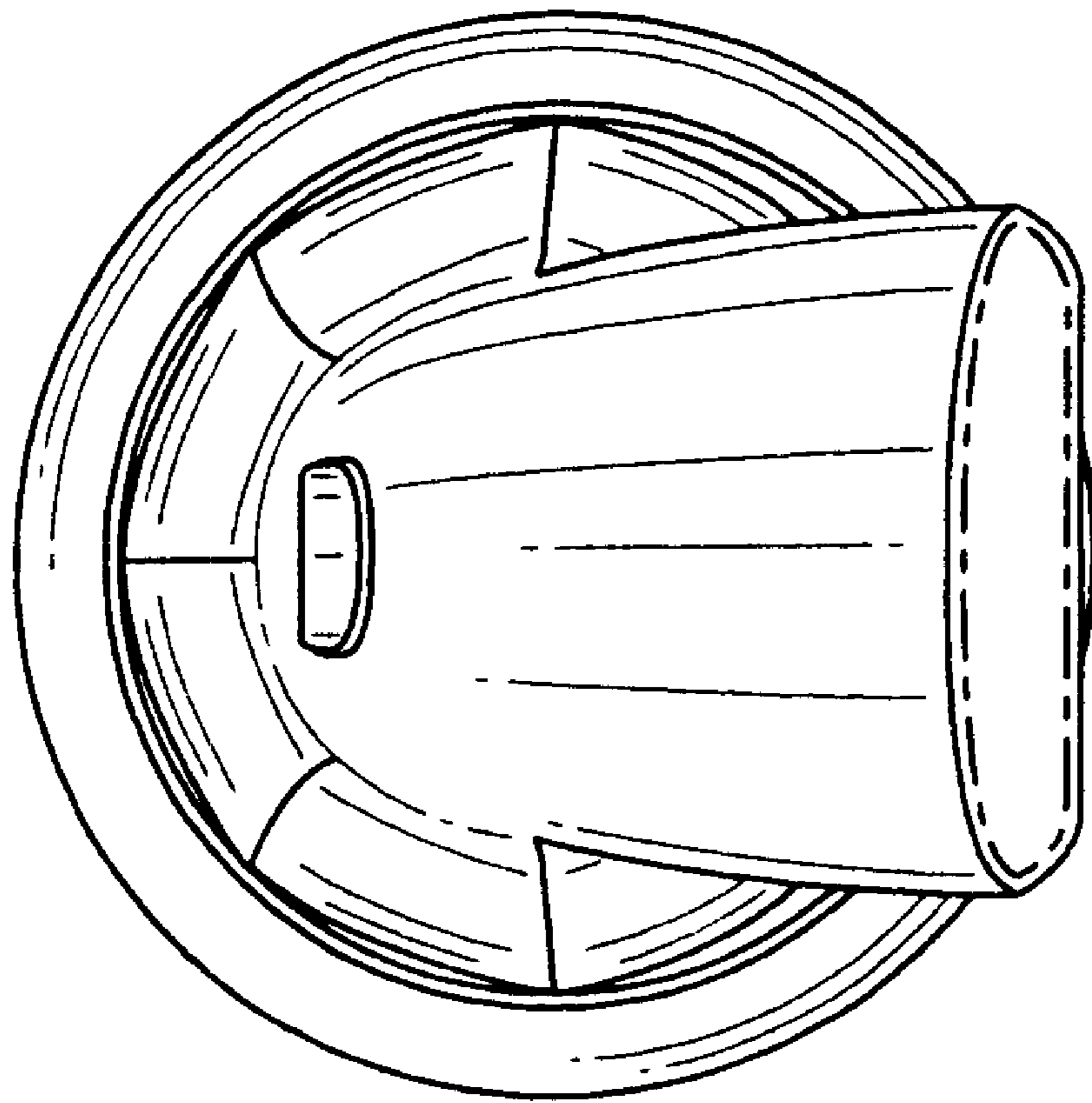


FIG. 5

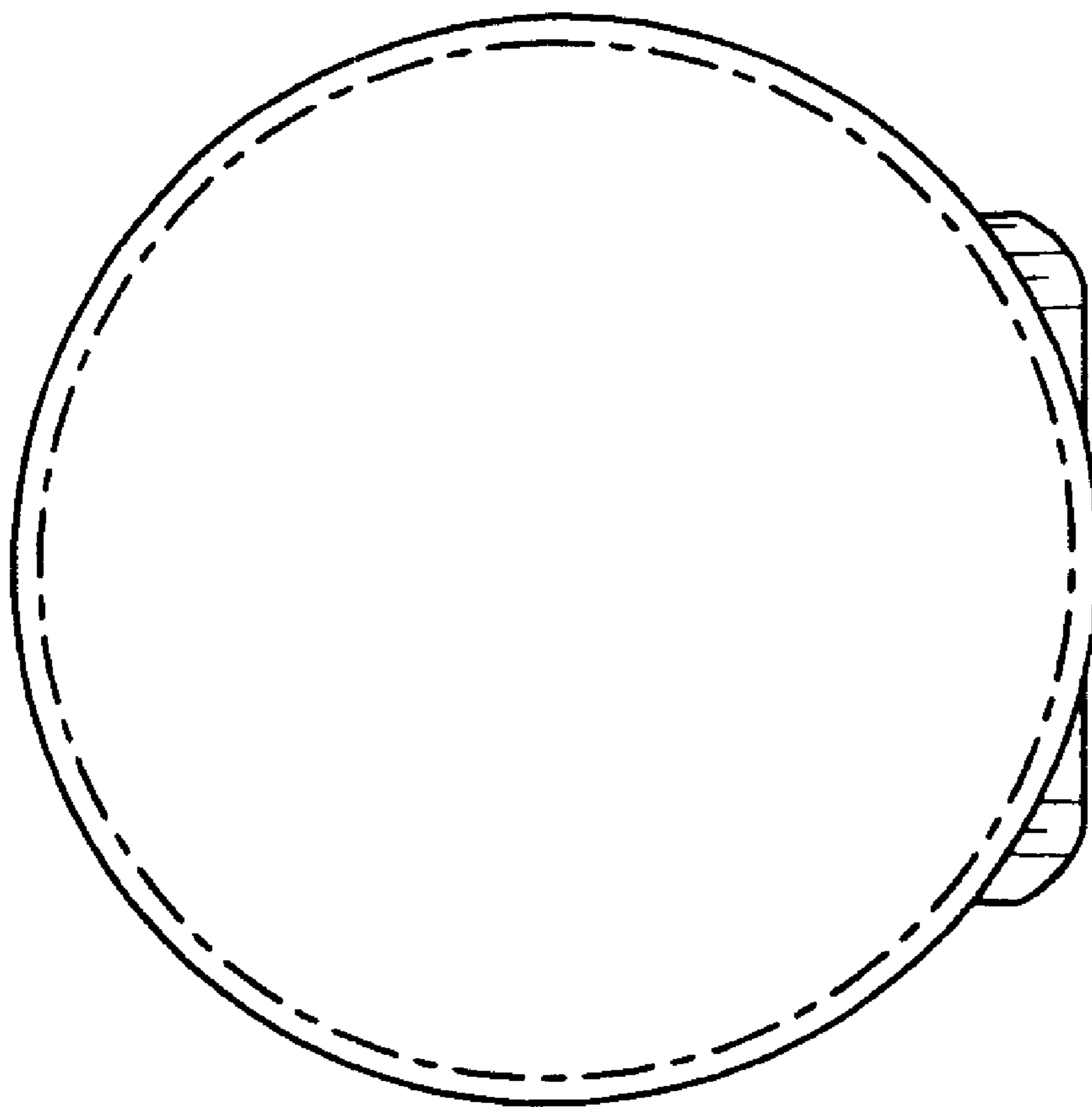


FIG. 6