



US00D478155S

(12) **United States Design Patent**
Marinov et al.

(10) **Patent No.:** **US D478,155 S**

(45) **Date of Patent:** **** Aug. 5, 2003**

(54) **SPOUT ARM**

D406,327 S * 3/1999 Kopp D23/304
D422,684 S * 4/2000 Gottwald D23/255

(75) Inventors: **Marin Cvyatkov Marinov**, Sevlievo (BG); **Walter Pitsch**, Franklin Park, NJ (US)

* cited by examiner

Primary Examiner—Louis S. Zarfes
Assistant Examiner—Gregory Andoll

(73) Assignee: **American Standard International Inc.**, New York, NY (US)

(57) **CLAIM**

(**) Term: **14 Years**

The ornamental design for a spout arm, as shown and described.

(21) Appl. No.: **29/121,275**

DESCRIPTION

(22) Filed: **Apr. 4, 2000**

FIG. 1 is a perspective view of a spout arm showing my new design;

(51) **LOC (7) Cl.** **23-01**

FIG. 2 is a front elevational view thereof;

(52) **U.S. Cl.** **D23/255; D23/249**

FIG. 3 is a rear elevational view thereof;

(58) **Field of Search** D23/238–257, D23/304; 4/675–678; 137/801

FIG. 4 is a top plan view thereof;

FIG. 5 is a left side elevational view thereof, the right side view being a mirror image of the left side; and,

(56) **References Cited**

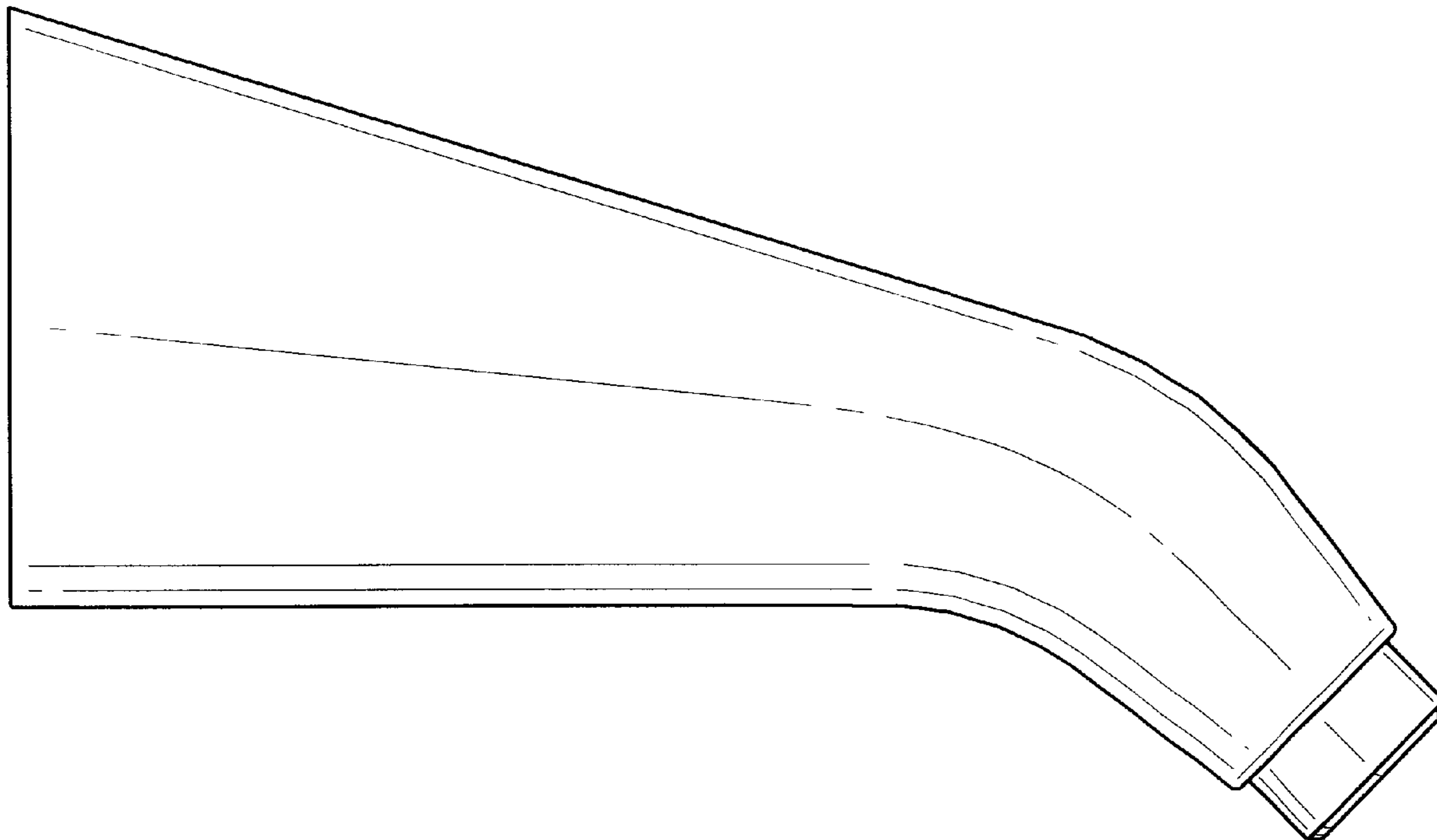
FIG. 6 is a bottom plan view thereof.

U.S. PATENT DOCUMENTS

The broken lines in FIG. 3 are for illustrative purposes only and form no part of the claimed design.

D296,235 S * 6/1988 Schmitz D23/257
D361,826 S * 8/1995 Mine D23/238

1 Claim, 5 Drawing Sheets



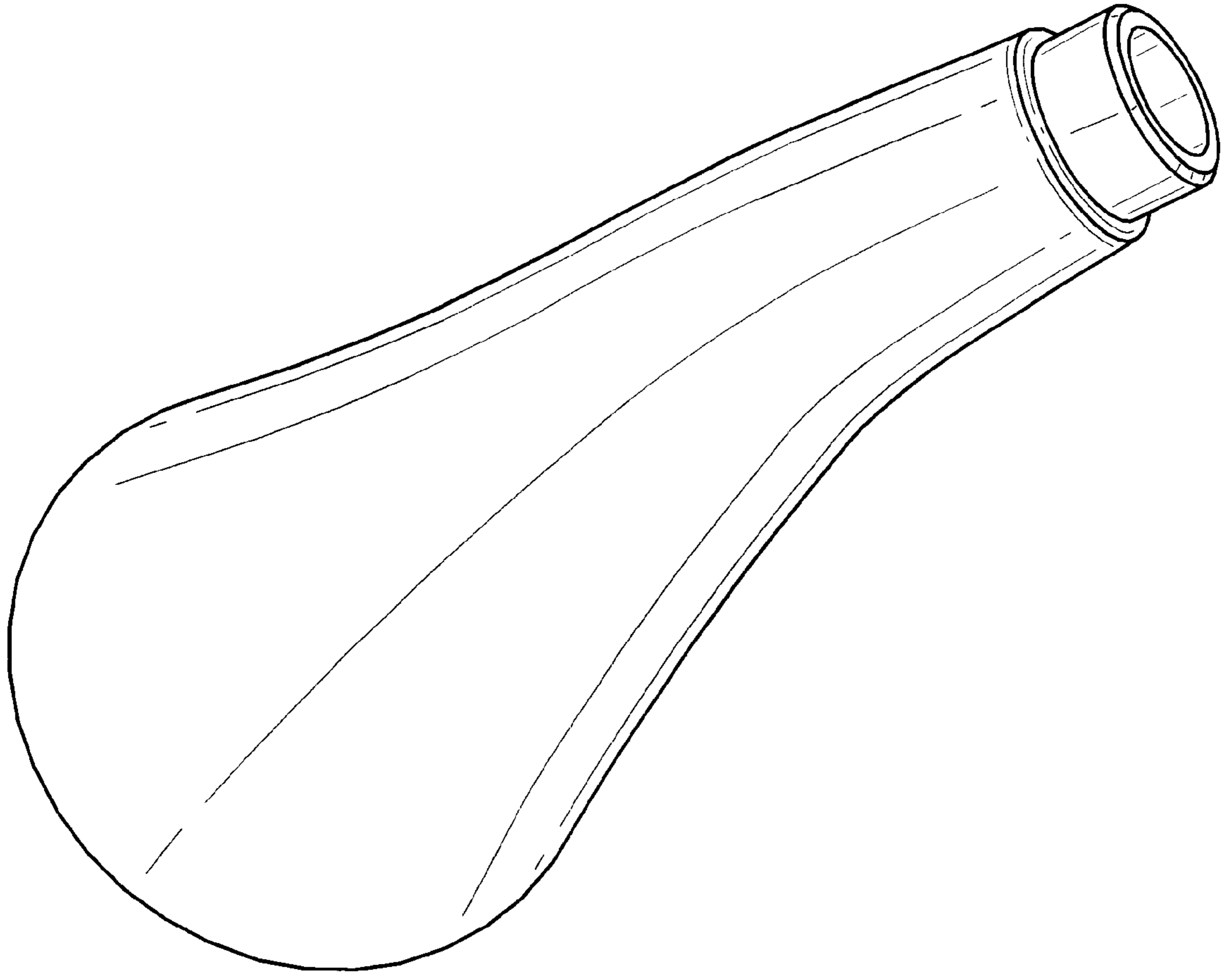


FIG. 1

FIG. 3

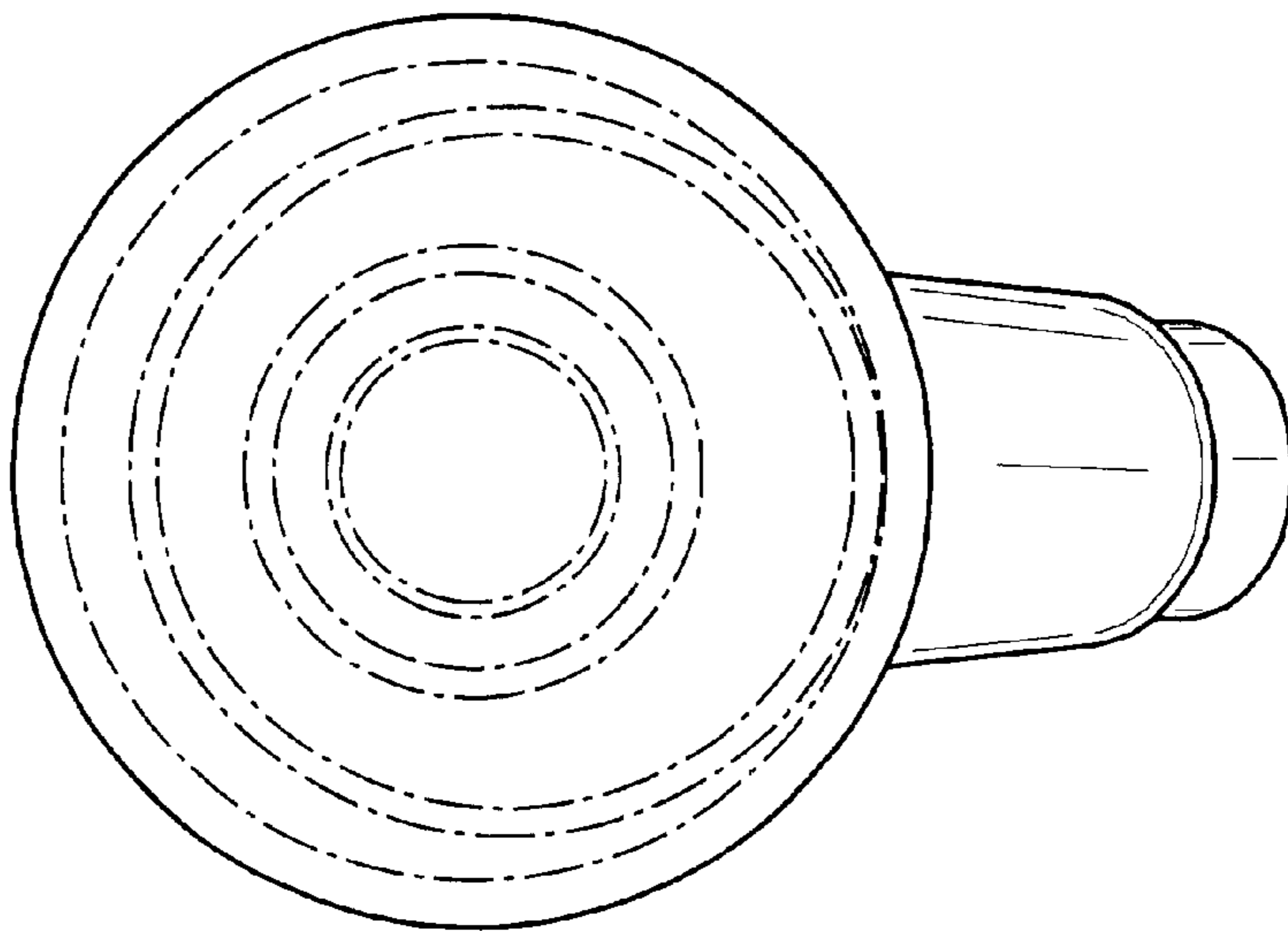
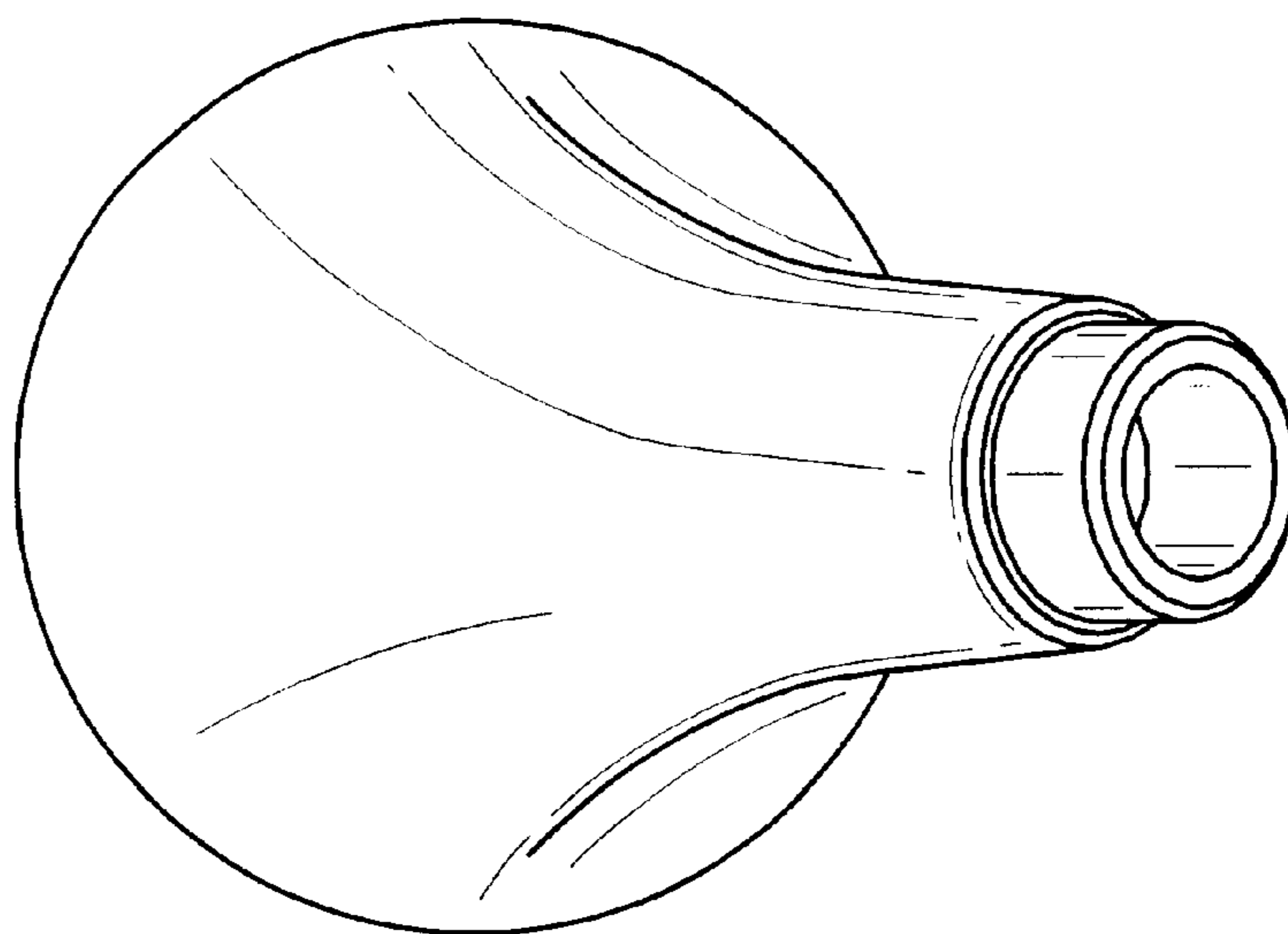


FIG. 2



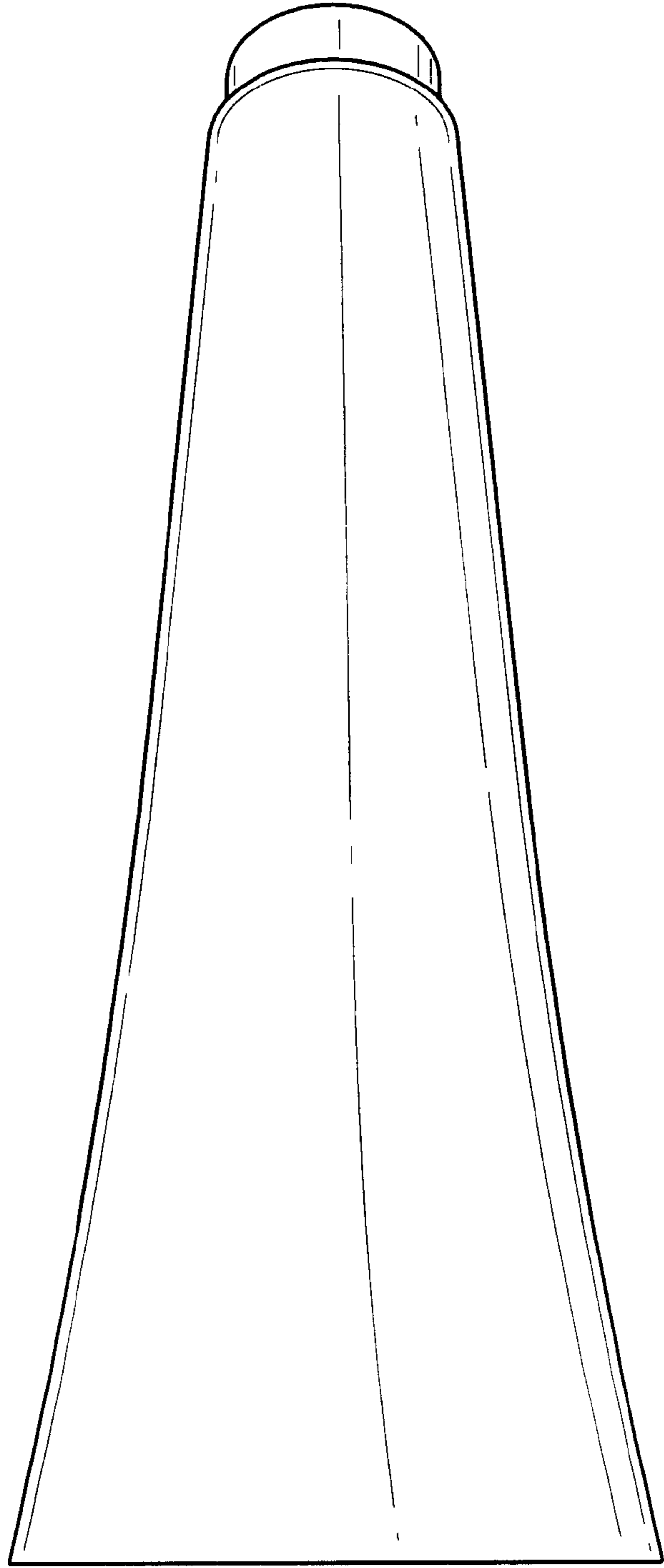
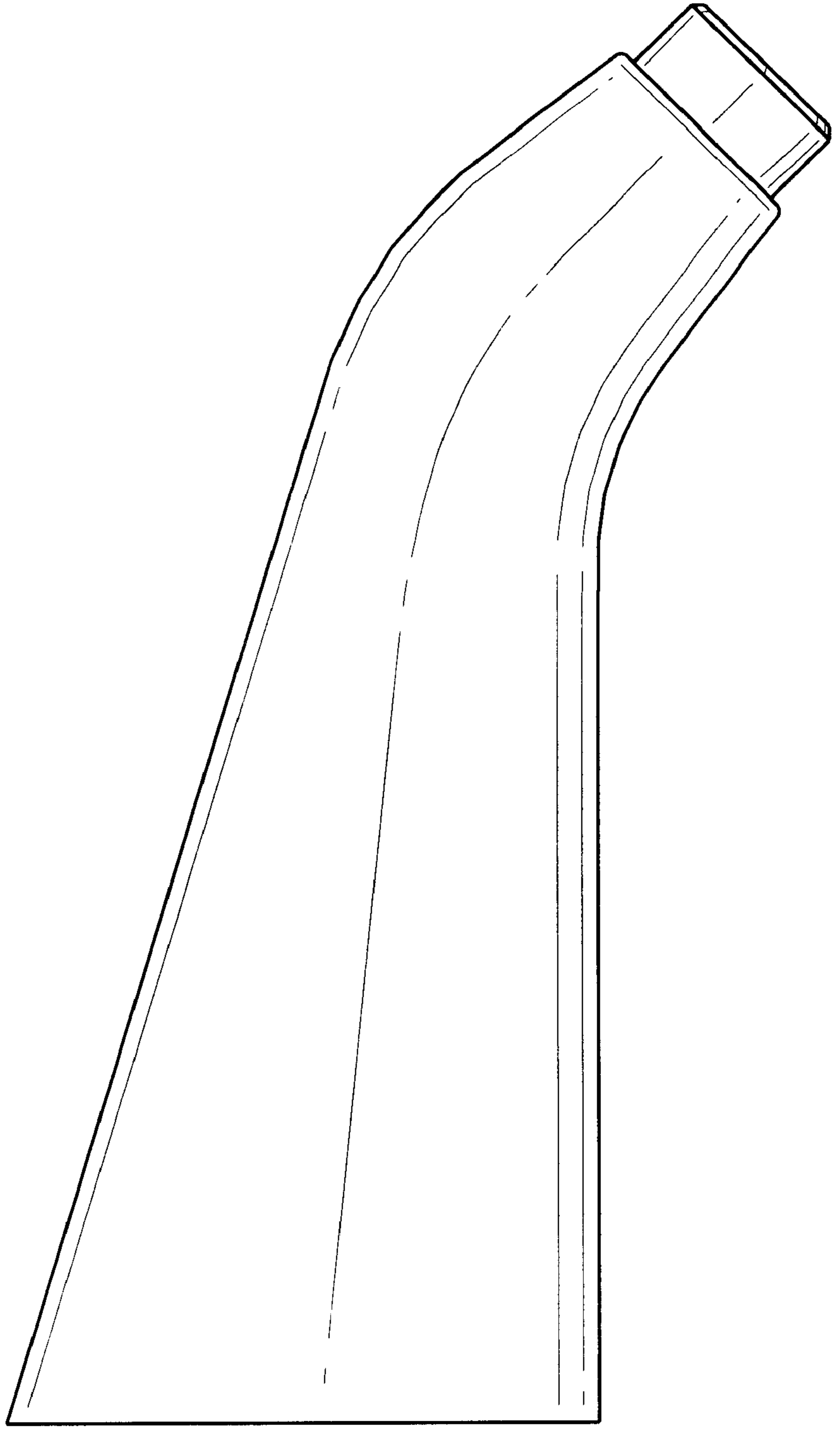


FIG. 4

FIG. 5



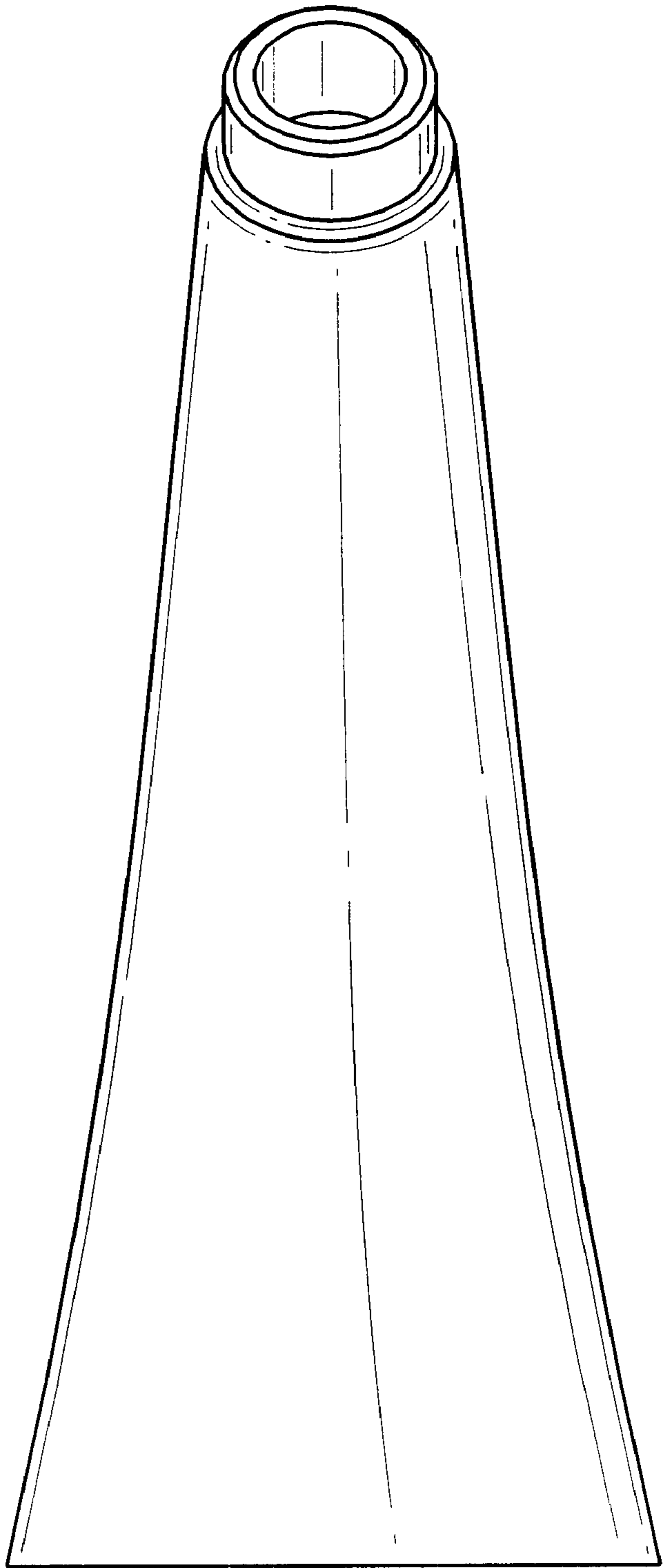


FIG. 6