



US00D478154S

(12) **United States Design Patent**  
**Ouyoung**

(10) **Patent No.:** **US D478,154 S**

(45) **Date of Patent:** **\*\* Aug. 5, 2003**

(54) **FAUCET BASE**

D413,652 S \* 9/1999 Ko ..... D23/242

(75) **Inventor:** **Scott Ouyoung**, Taichung (TW)

\* cited by examiner

(73) **Assignee:** **Globe Union Industrial Corp.**,  
Taichung (TW)

*Primary Examiner*—Louis S. Zarfaz  
*Assistant Examiner*—Gregory Andoll  
(74) *Attorney, Agent, or Firm*—Leong C. Lei

(\*\*) **Term:** **14 Years**

(57) **CLAIM**

(21) **Appl. No.:** **29/170,483**

The ornamental design for a faucet base, as shown and described.

(22) **Filed:** **Nov. 7, 2002**

(51) **LOC (7) Cl.** ..... **23-01**

(52) **U.S. Cl.** ..... **D23/249**

(58) **Field of Search** ..... D23/238–243,  
D23/250–257; 4/675–678; 137/801

**DESCRIPTION**

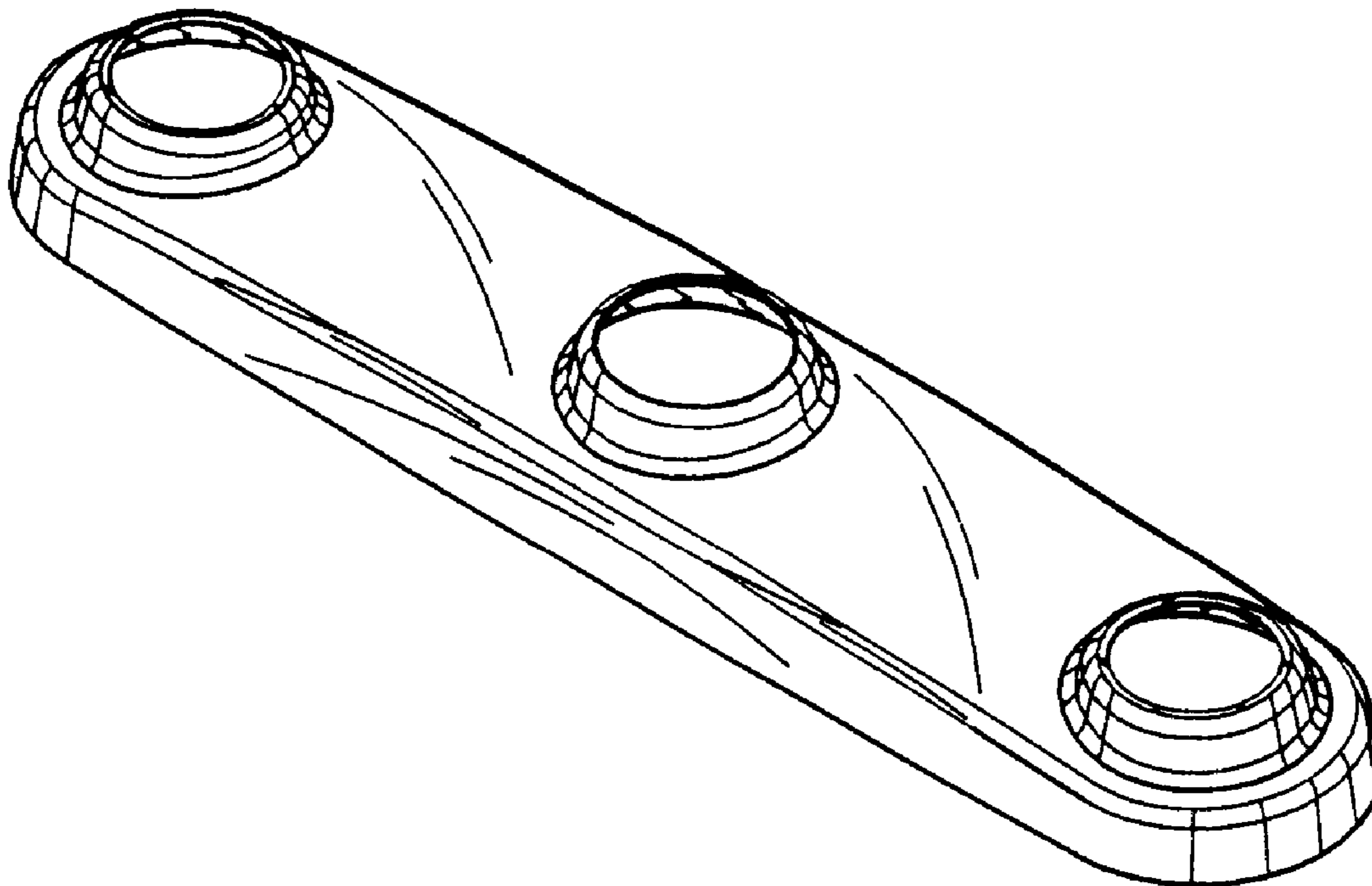
FIG. 1 is perspective view of a faucet base showing my new design;  
FIG. 2 is a front side elevation view thereof;  
FIG. 3 is a left side elevation view thereof;  
FIG. 4 is a right side elevation view thereof;  
FIG. 5 is a rear side elevation view thereof;  
FIG. 6 is a top plan view thereof; and,  
FIG. 7 is a bottom plan view thereof.

(56) **References Cited**

**U.S. PATENT DOCUMENTS**

D360,379 S \* 7/1995 Doughty et al. .... D23/241  
D374,708 S \* 10/1996 Doughty et al. .... D23/243  
D376,414 S \* 12/1996 Doughty et al. .... D23/241

**1 Claim, 4 Drawing Sheets**



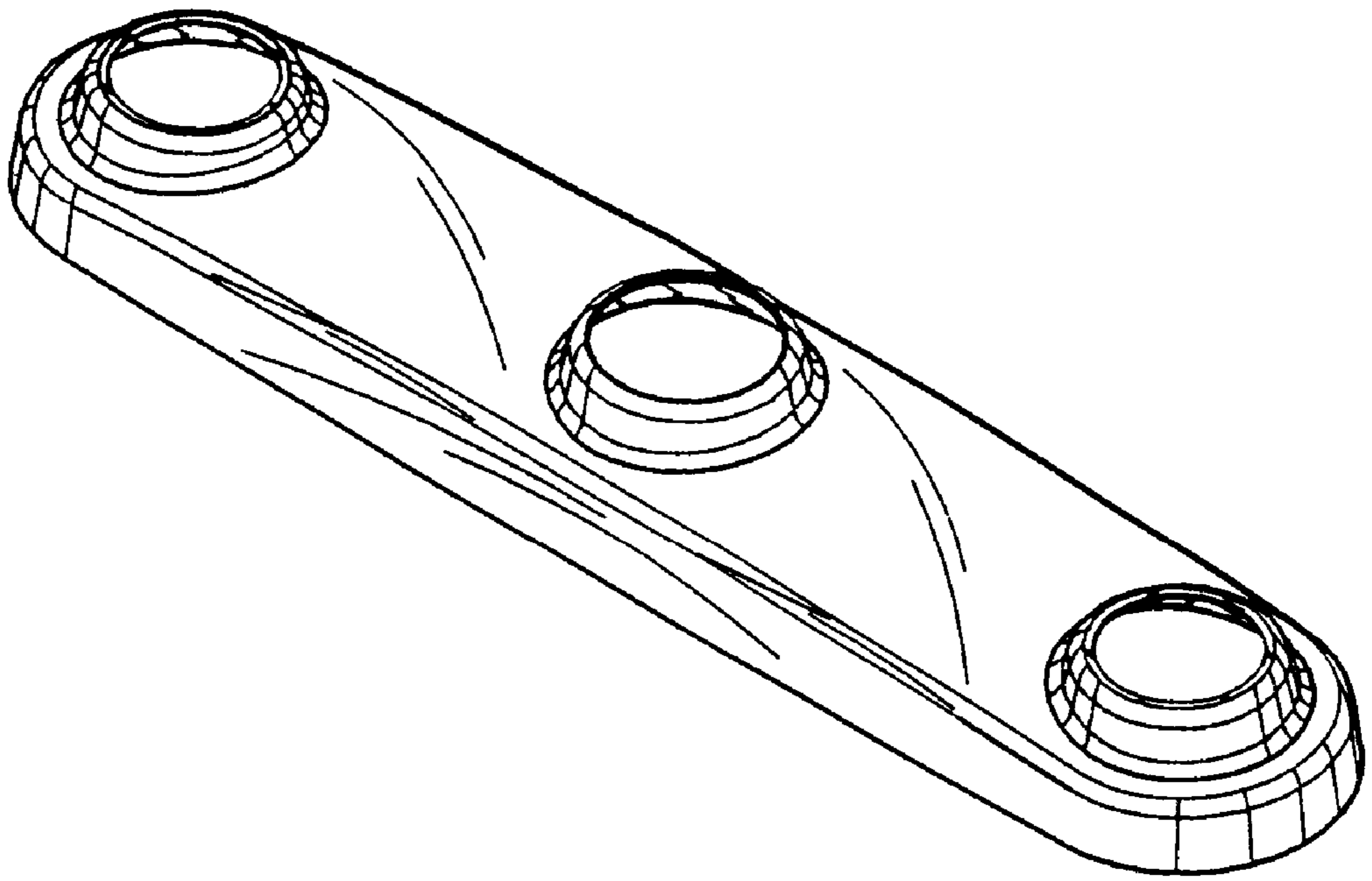


FIG. 1

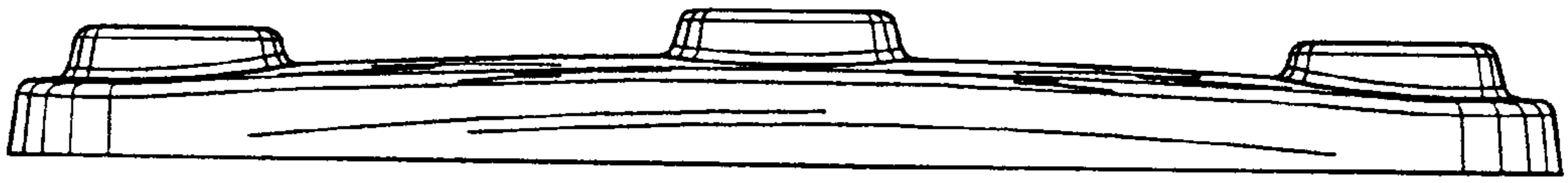


FIG. 2

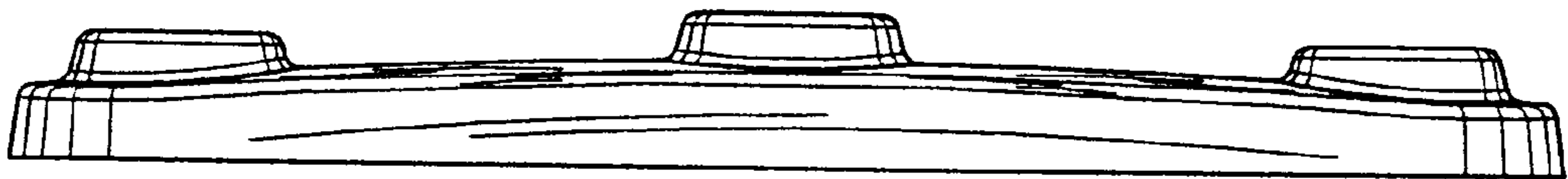


FIG. 5

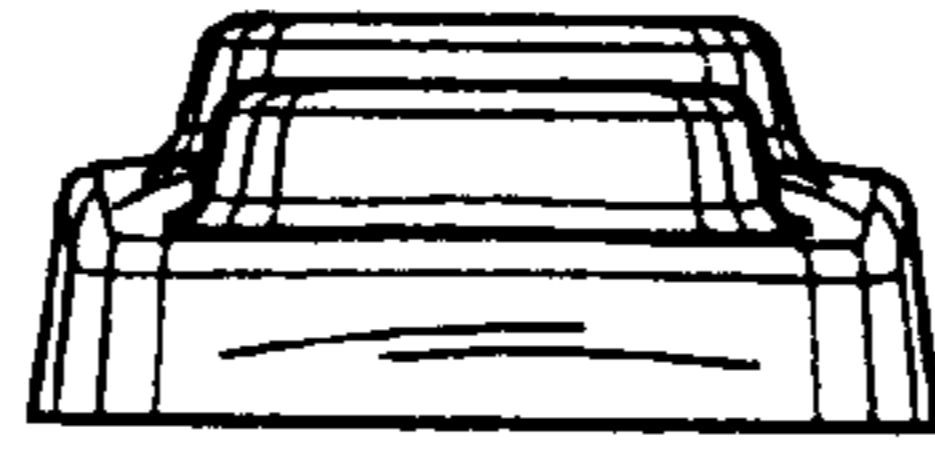


FIG. 3

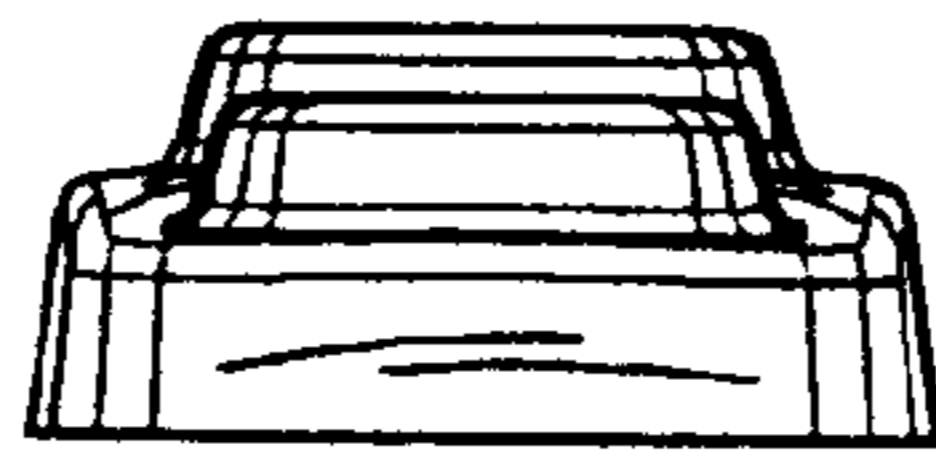


FIG. 4

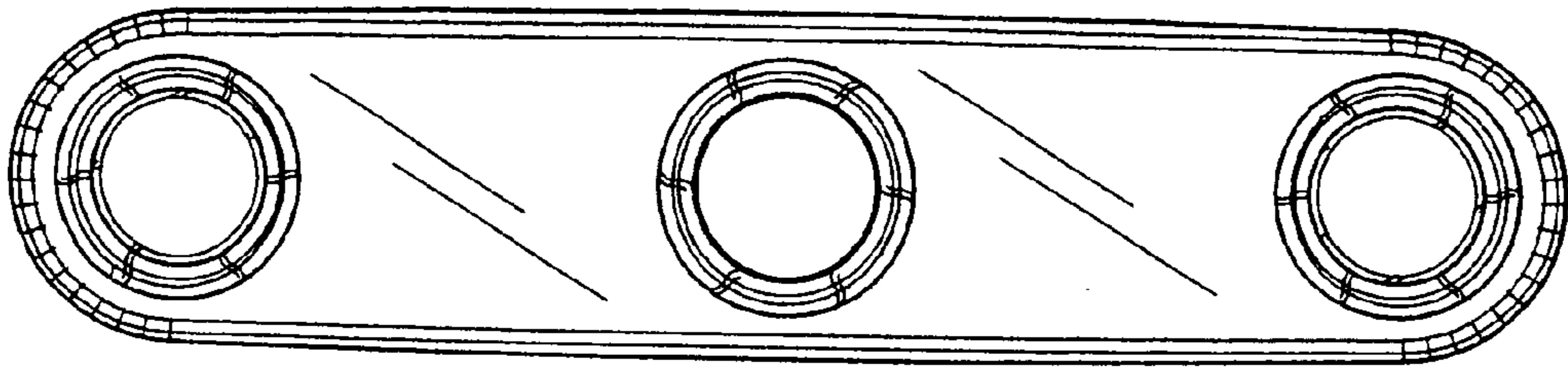


FIG. 6

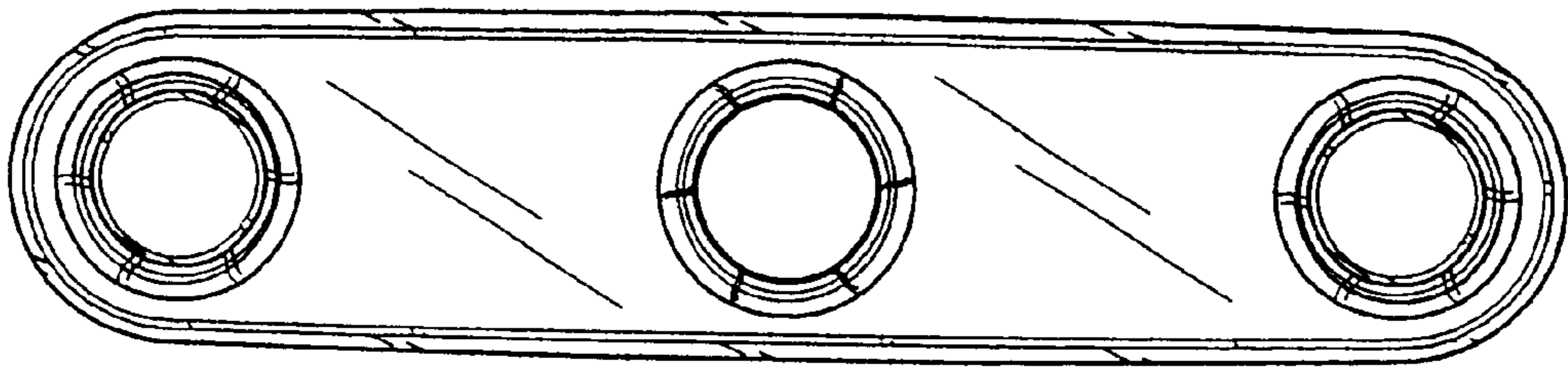


FIG. 7