



US00D478153S

(12) **United States Design Patent**
Friedrich

(10) **Patent No.:** **US D478,153 S**

(45) **Date of Patent:** **** Aug. 5, 2003**

(54) **FAUCET BODY**

(75) **Inventor:** **Philip F Friedrich**, Fullerton, CA (US)

(73) **Assignee:** **PFF and Associates**, Buena Park, CA (US)

(**) **Term:** **14 Years**

(21) **Appl. No.:** **29/171,478**

(22) **Filed:** **Nov. 22, 2002**

Related U.S. Application Data

(62) Division of application No. 29/163,225, filed on Jun. 28, 2002, now Pat. No. Des. 471,256.

(51) **LOC (7) Cl.** **23-01**

(52) **U.S. Cl.** **D23/242; D23/241**

(58) **Field of Search** **D23/238-243, D23/250-257; 4/675-678; 137/801**

(56) **References Cited**

U.S. PATENT DOCUMENTS

- D375,345 S * 11/1996 Warshawsky D23/241
- D392,720 S * 3/1998 Doughty et al. D23/250
- D461,531 S * 8/2002 Ouyoung D23/242
- D461,532 S * 8/2002 Ouyoung D23/242

- D462,749 S * 9/2002 Lord D23/255
- D466,981 S * 12/2002 Cosolito et al. D23/242
- D472,607 S * 4/2003 Warshawsky et al. D23/238

* cited by examiner

Primary Examiner—Louis S. Zarfaz

Assistant Examiner—Gregory A Andoll

(74) *Attorney, Agent, or Firm*—Stetina Brunda Garred & Brucker

(57) **CLAIM**

The ornamental design for a faucet body, as shown and described.

DESCRIPTION

FIG. 1 is a top plan view of the faucet body of the present invention showing my new design with the phantom lines depicting environmental structure and forming no part of the claimed design;

FIG. 2 is a left side elevational view thereof;

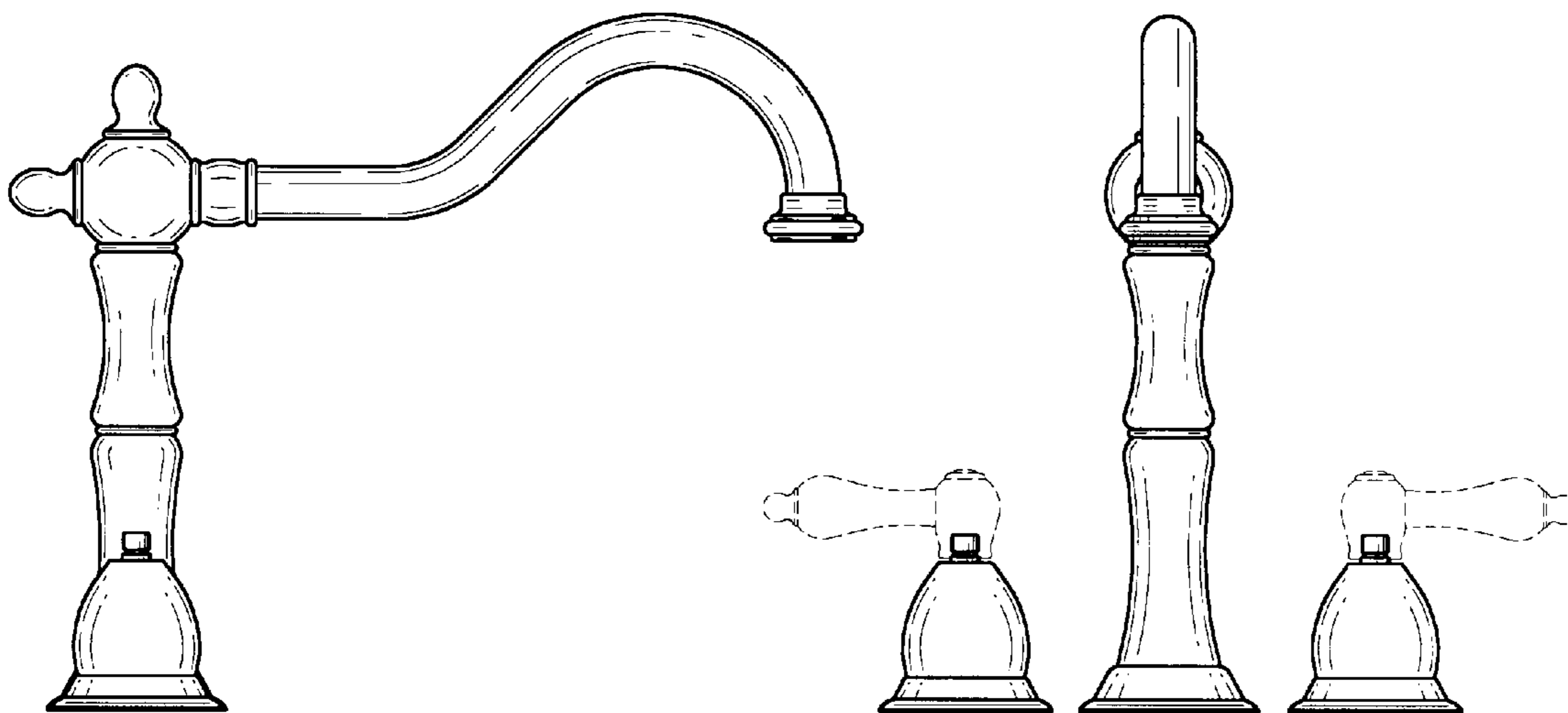
FIG. 3 is a front elevational view thereof with the phantom lines depicting environmental structure and forming no part of the claimed design;

FIG. 4 is a bottom plan view thereof;

FIG. 5 is a right side elevational view thereof; and,

FIG. 6 is a rear elevational view thereof.

1 Claim, 2 Drawing Sheets



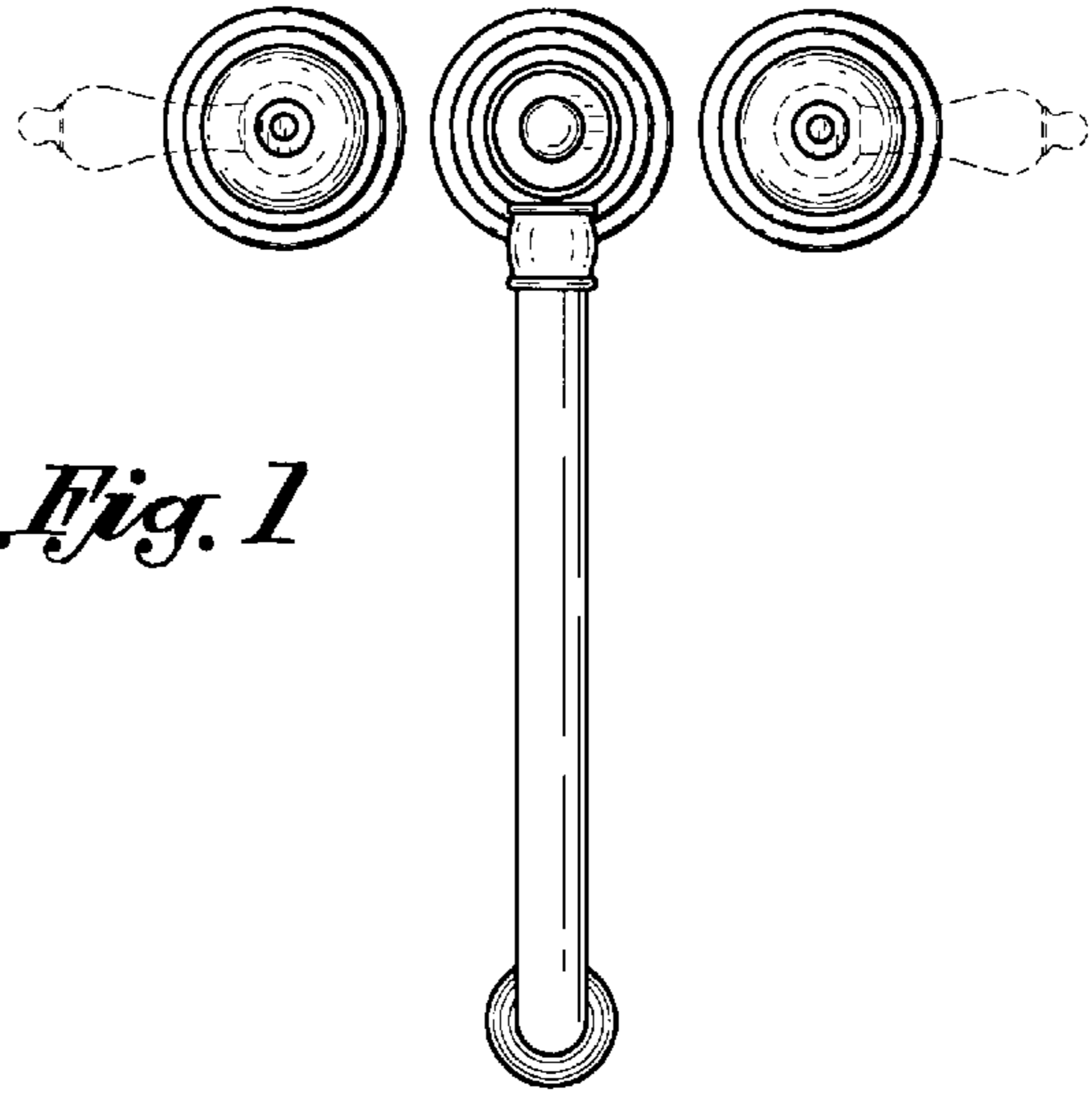


Fig. 1

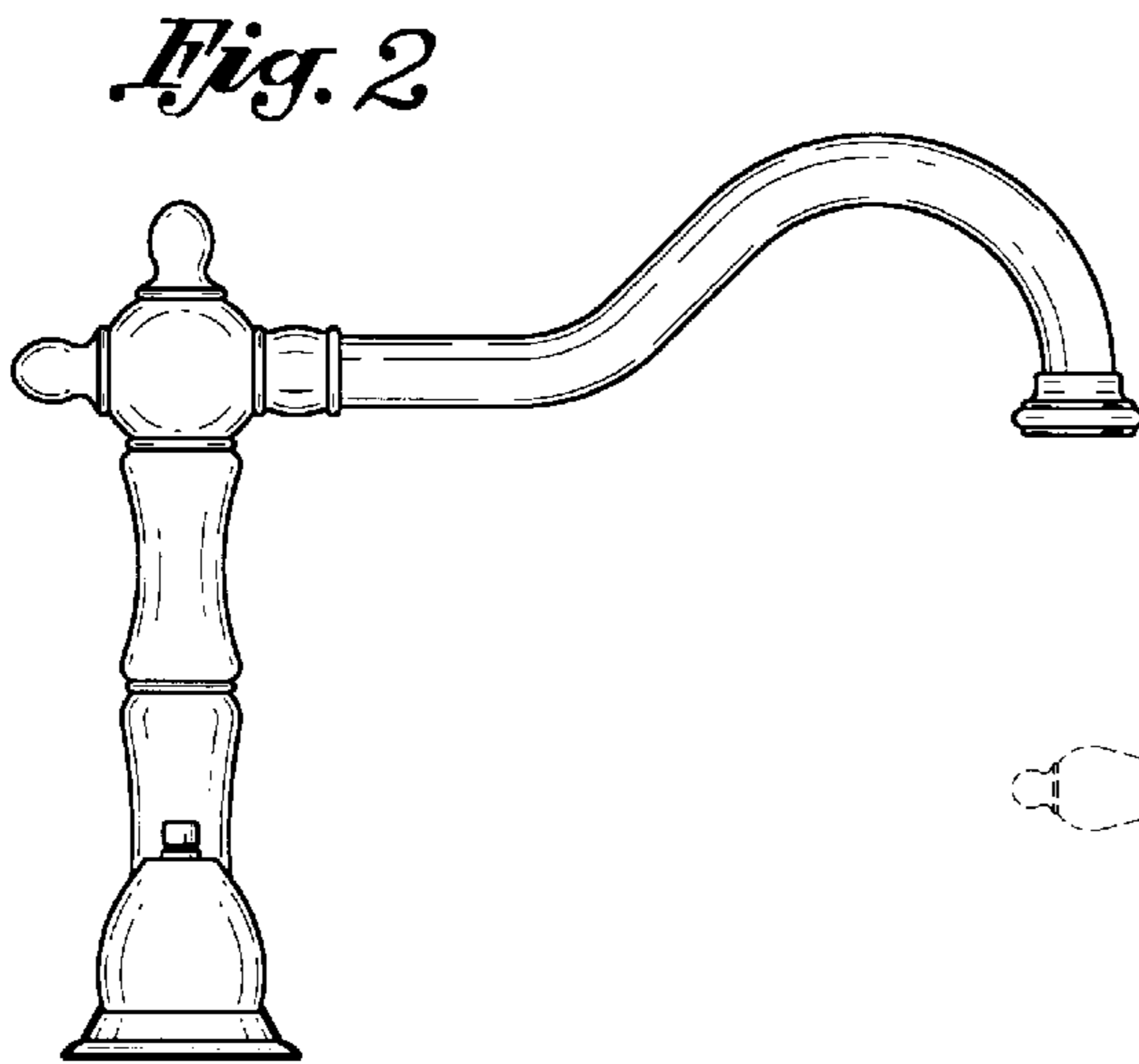


Fig. 2

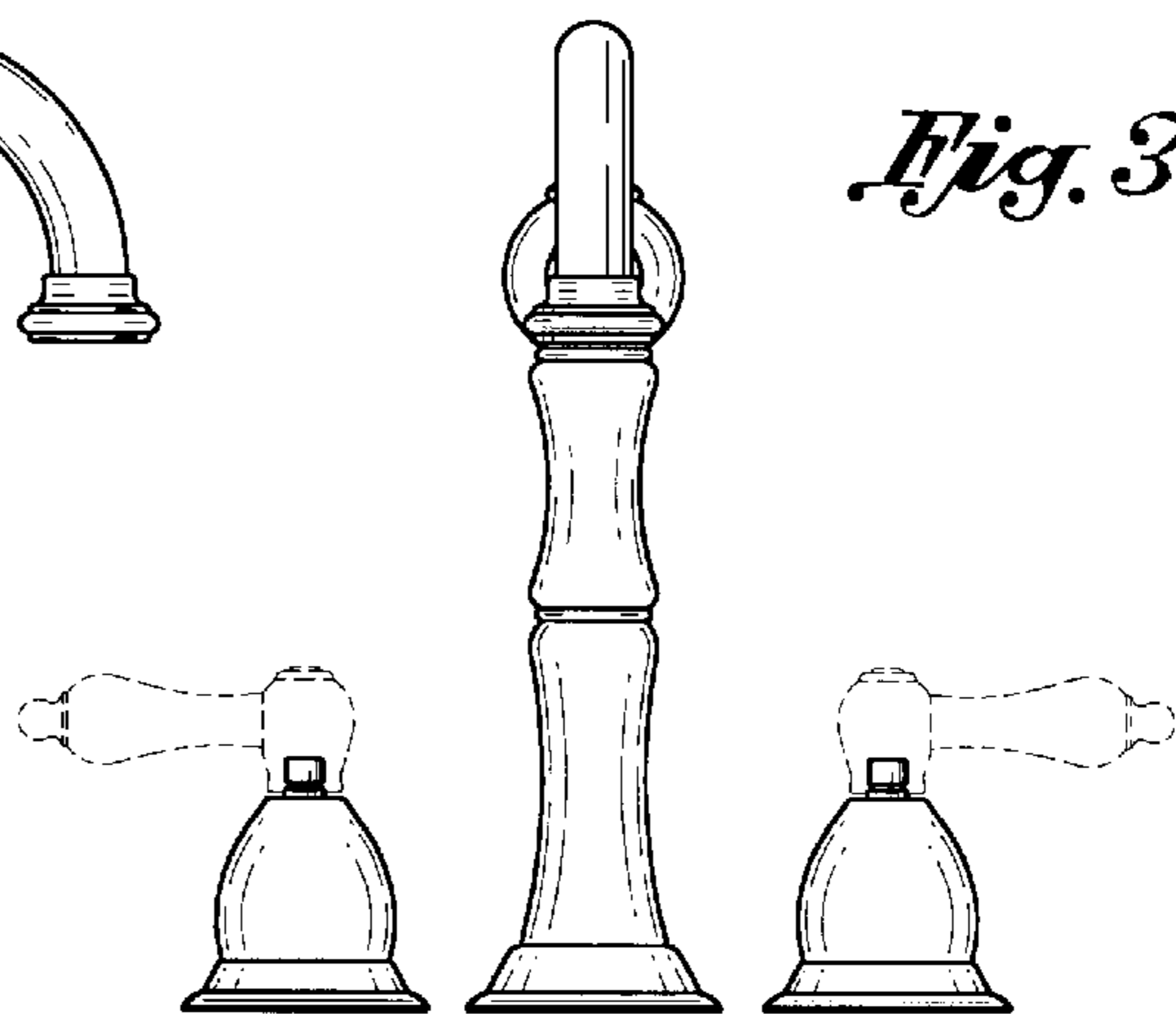


Fig. 3

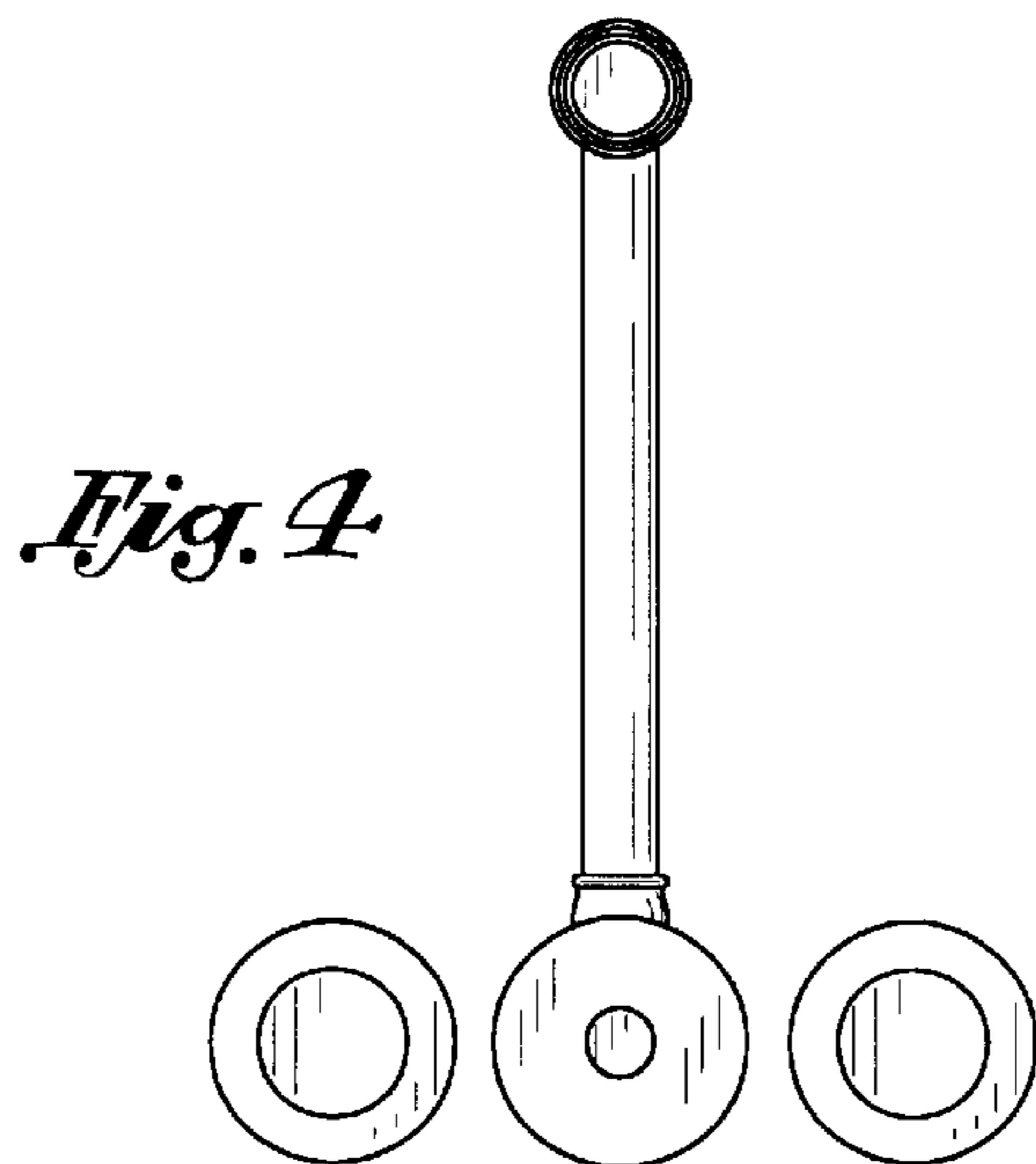


Fig. 4

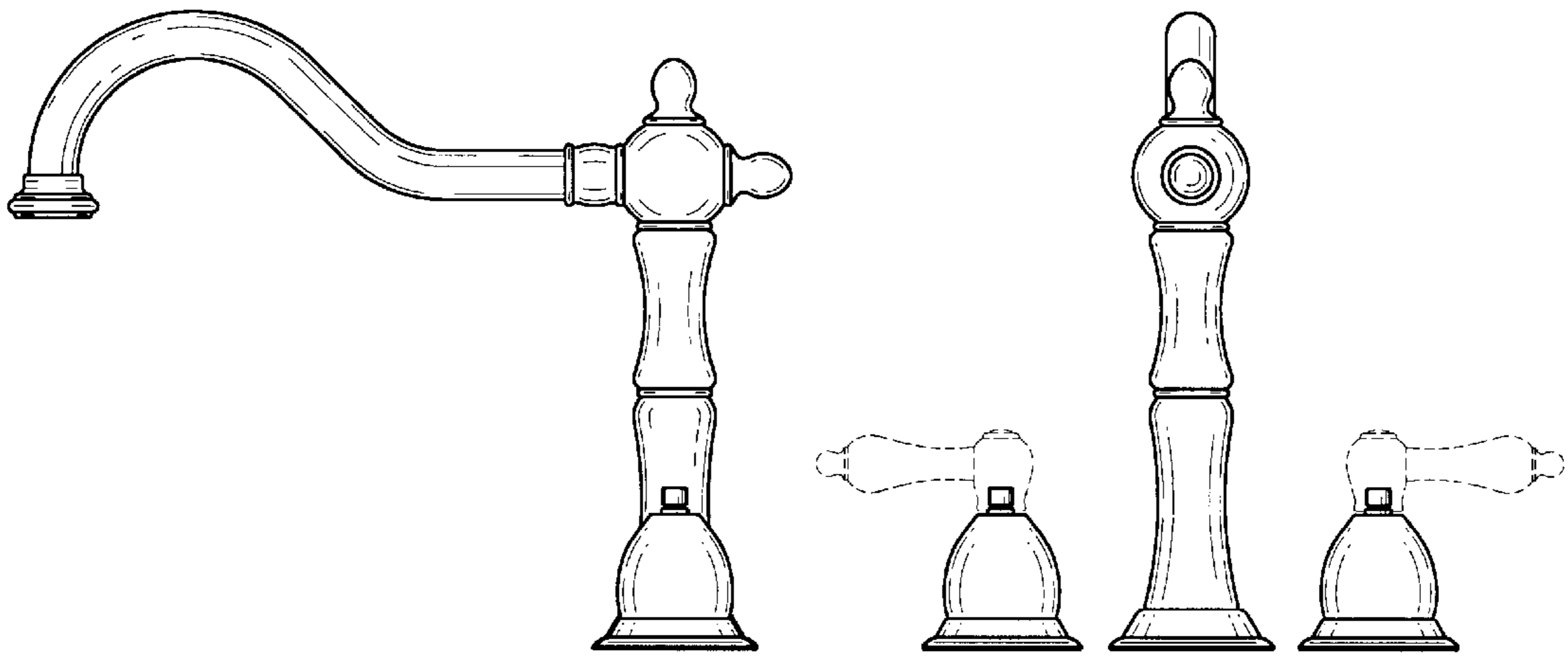


Fig. 5

Fig. 6