



US00D478152S

(12) **United States Design Patent**
Friedrich

(10) **Patent No.:** **US D478,152 S**

(45) **Date of Patent:** **** Aug. 5, 2003**

(54) **FAUCET BODY**

(75) Inventor: **Philip F. Friedrich**, Fullerton, CA (US)

(73) Assignee: **PFF and Associates**, Buena Park, CA (US)

(**) Term: **14 Years**

(21) Appl. No.: **29/171,681**

(22) Filed: **Nov. 26, 2002**

Related U.S. Application Data

(62) Division of application No. 29/163,214, filed on Jun. 28, 2002, now Pat. No. Des. 470,919.

(51) **LOC (7) Cl.** **23-01**

(52) **U.S. Cl.** **D23/241**

(58) **Field of Search** D23/238-243,
D23/250-257; 4/675-678; 137/801

(56) **References Cited**

U.S. PATENT DOCUMENTS

D31,824 S * 11/1899 Jones D23/255

D65,364 S * 8/1924 Sickley D23/240

D463,013 S * 9/2002 Green et al. D23/255

* cited by examiner

Primary Examiner—Louis S. Zarfaz

Assistant Examiner—Gregory Andoll

(74) *Attorney, Agent, or Firm*—Stetina Brunda Garred & Brucker

(57) **CLAIM**

The ornamental design for a faucet body, as shown and described.

DESCRIPTION

FIG. 1 is a top plan view of the faucet body of the present invention showing my new design with the phantom lines depicting environmental structure and forming no part of the claimed design;

FIG. 2 is a left side elevational view thereof with the phantom lines depicting environmental structure and forming no part of the claimed design;

FIG. 3 is a front elevational view thereof;

FIG. 4 is a bottom plan view thereof;

FIG. 5 is a right side elevational view thereof; and,

FIG. 6 is a rear elevational view thereof.

1 Claim, 2 Drawing Sheets

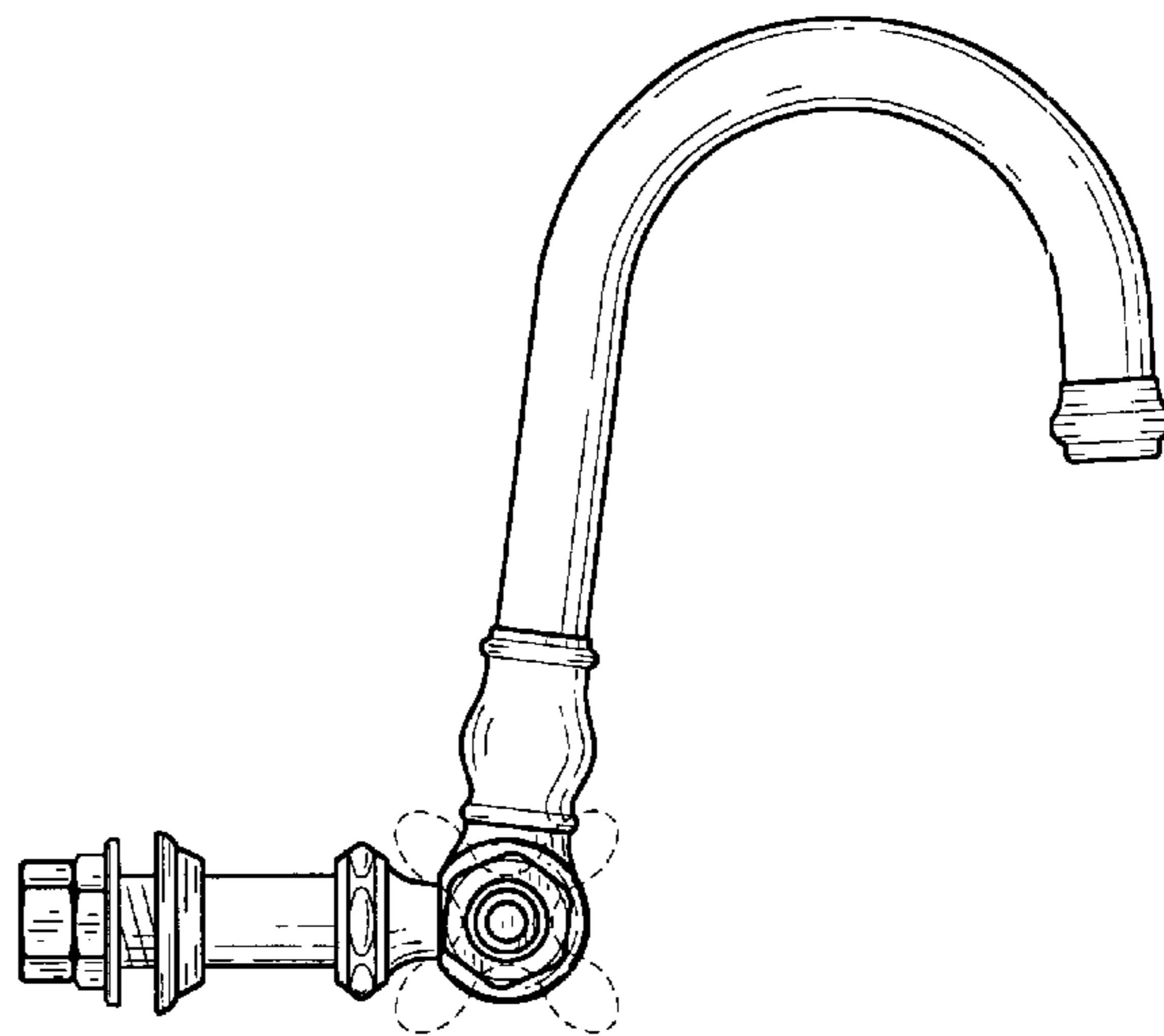
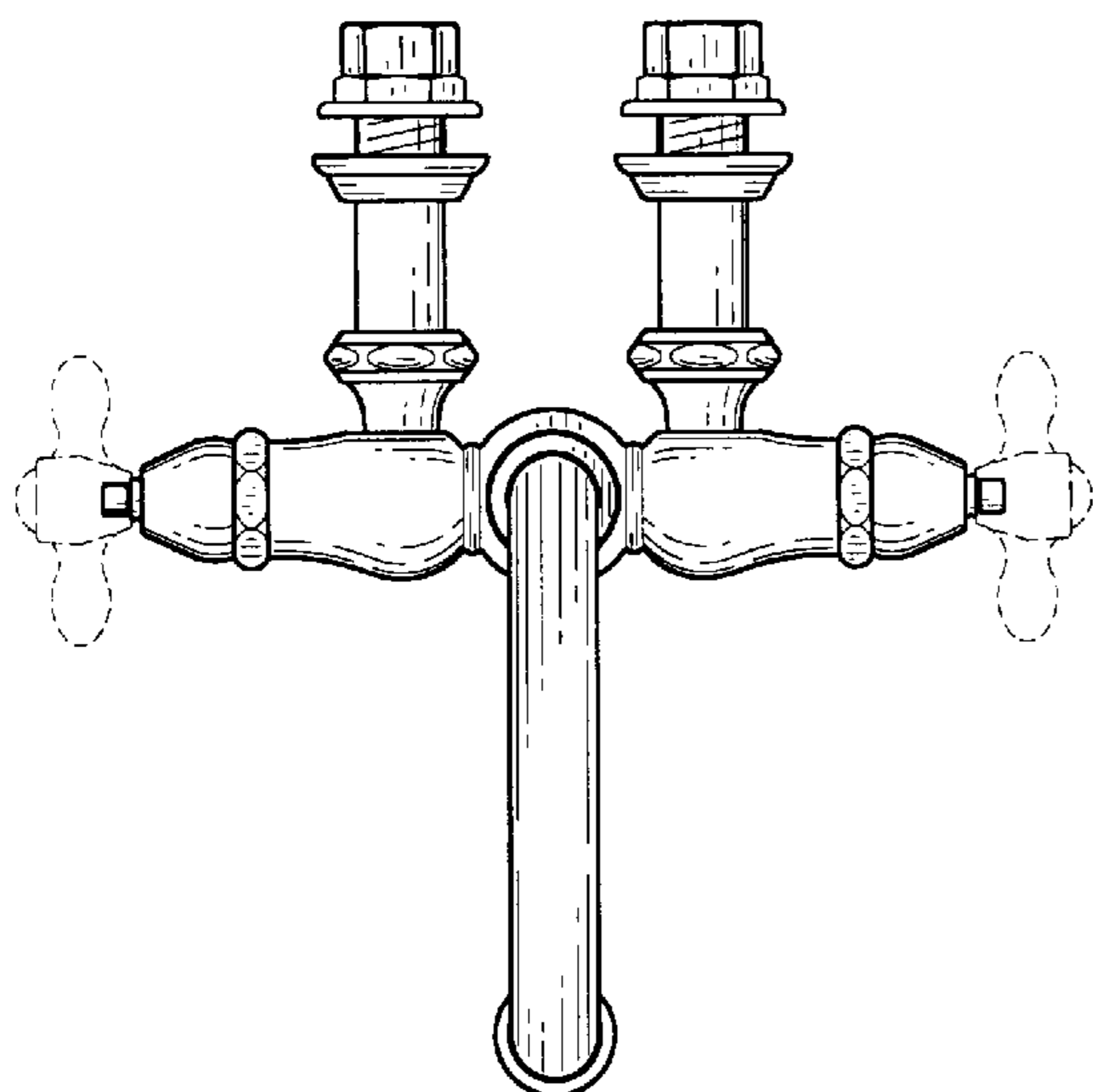


Fig. 1

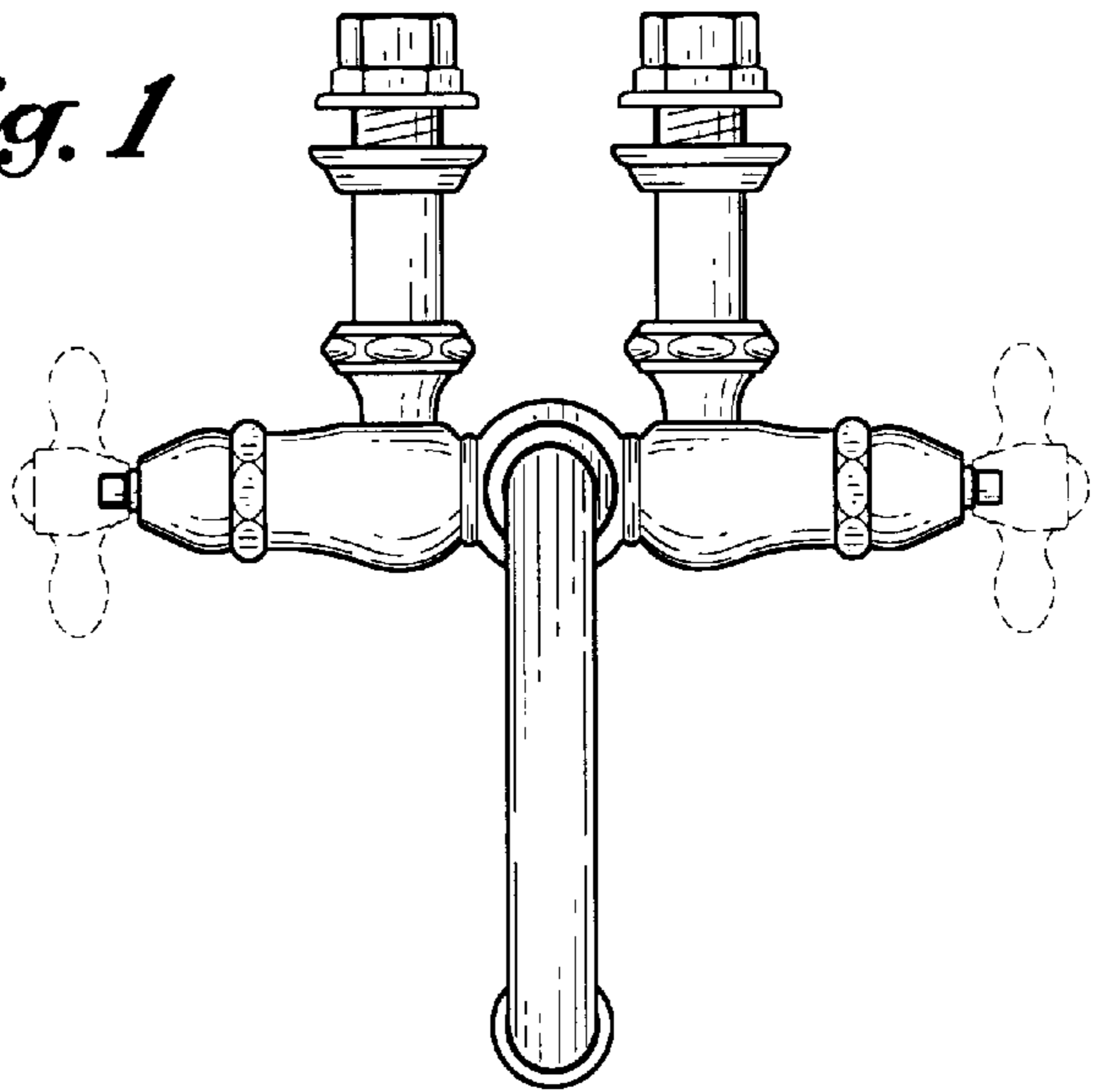


Fig. 2

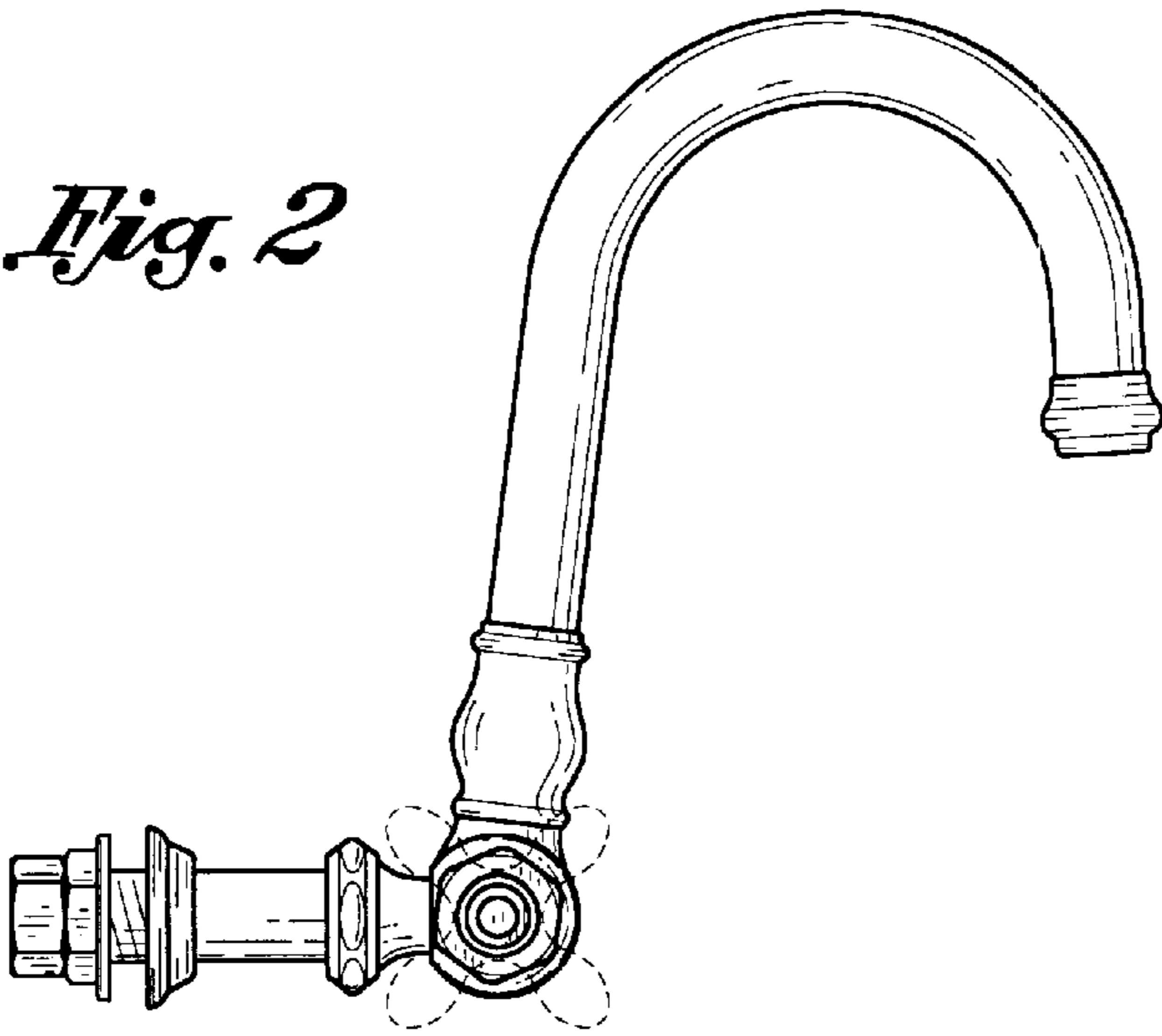


Fig. 3

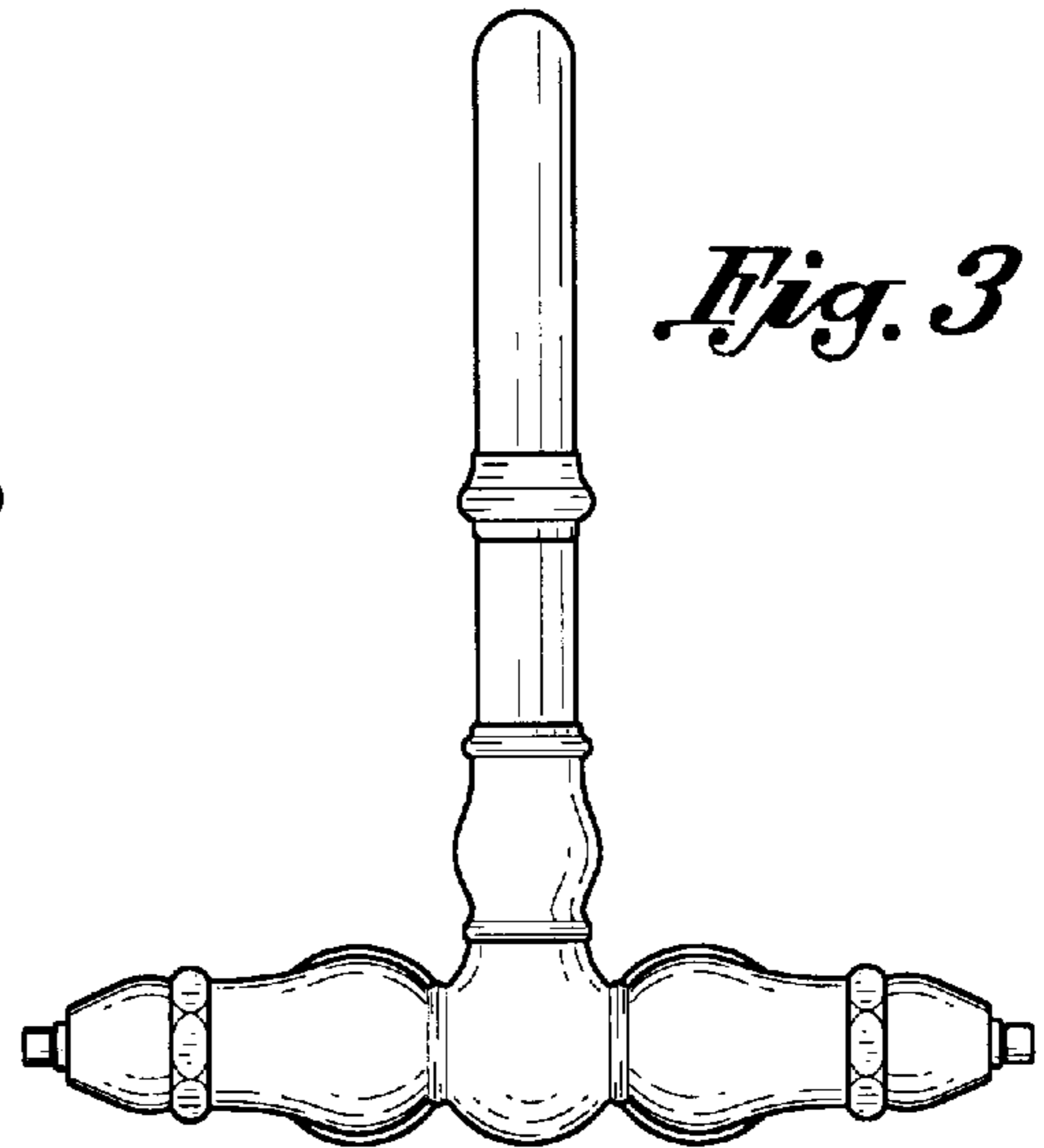
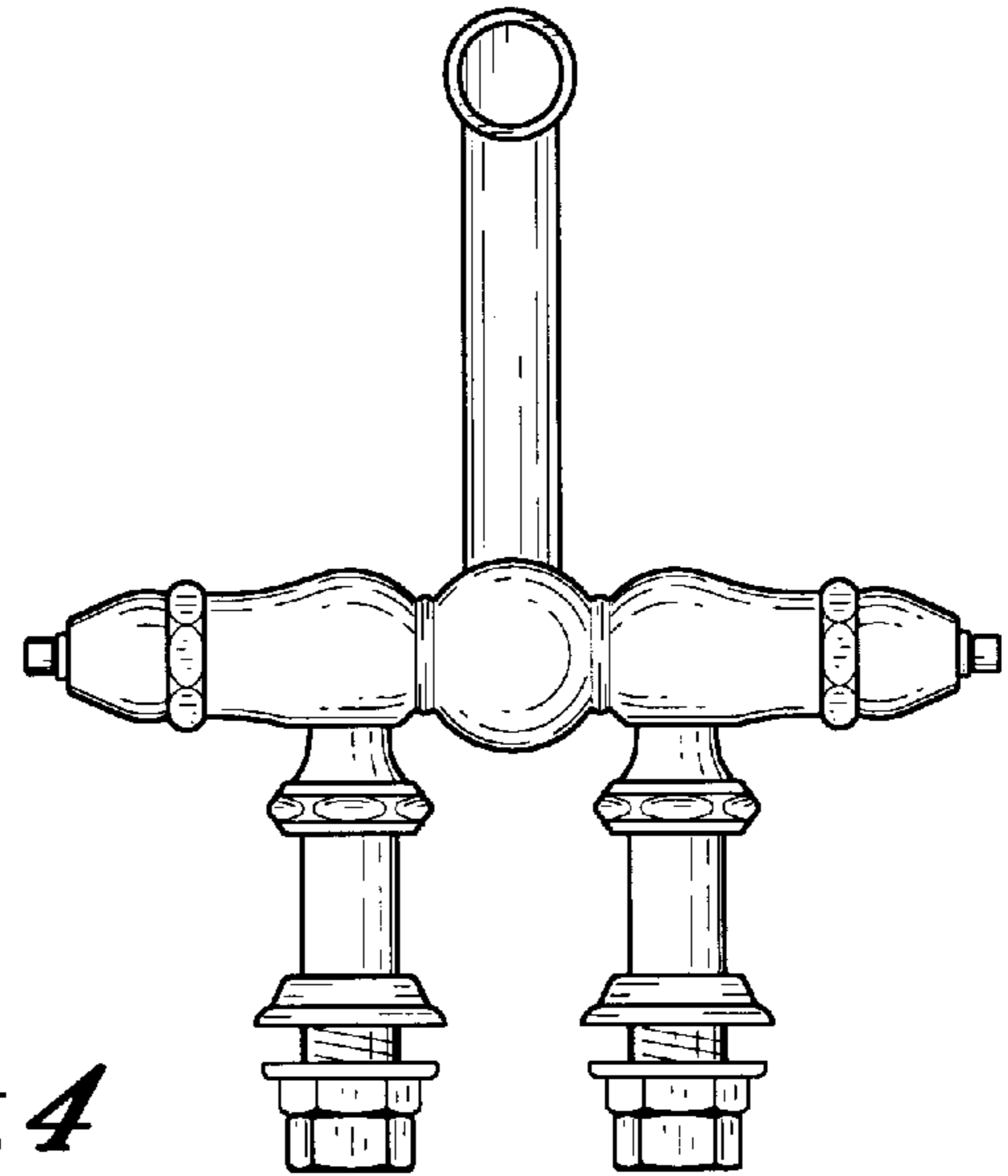


Fig. 4



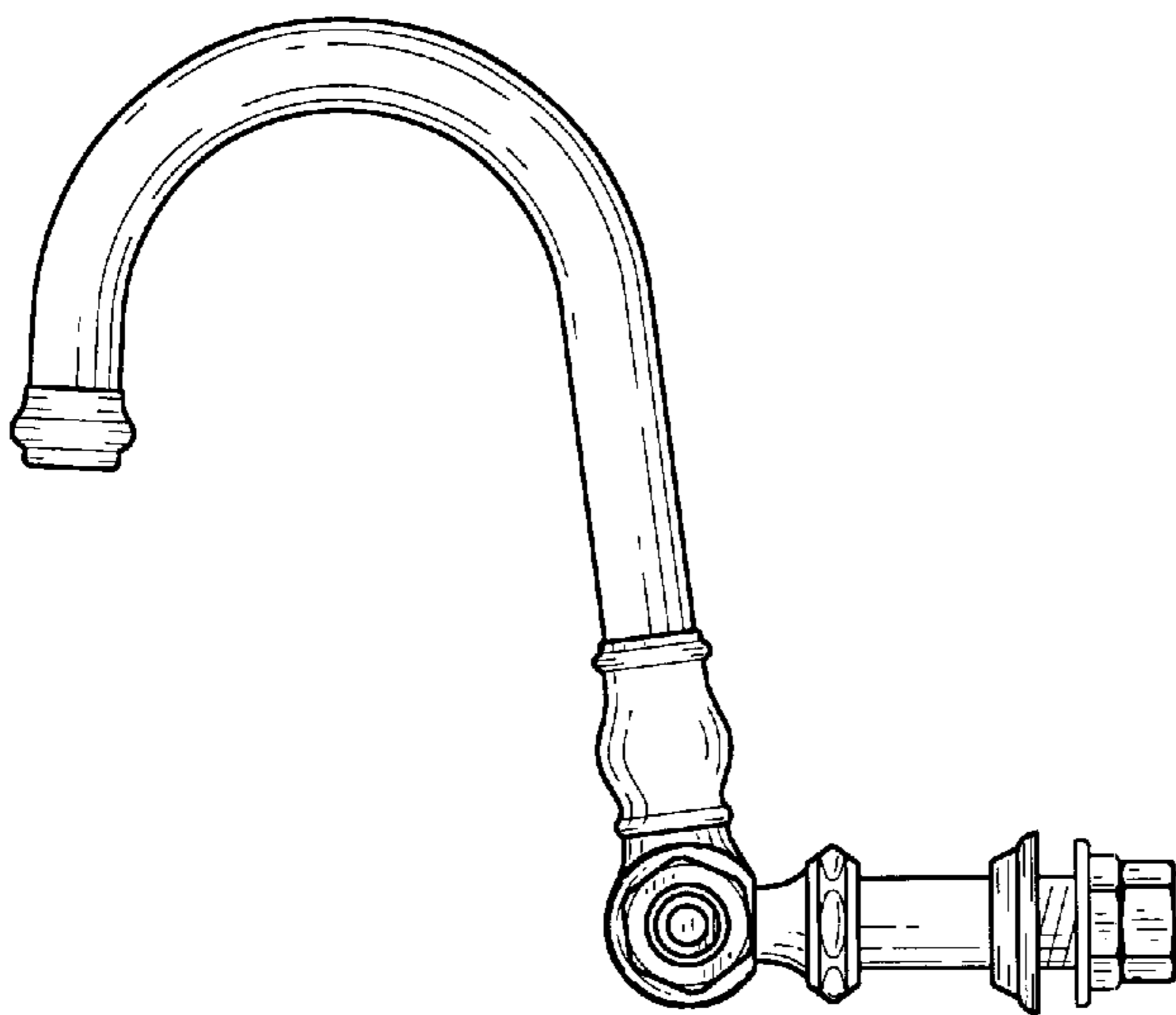


Fig. 5

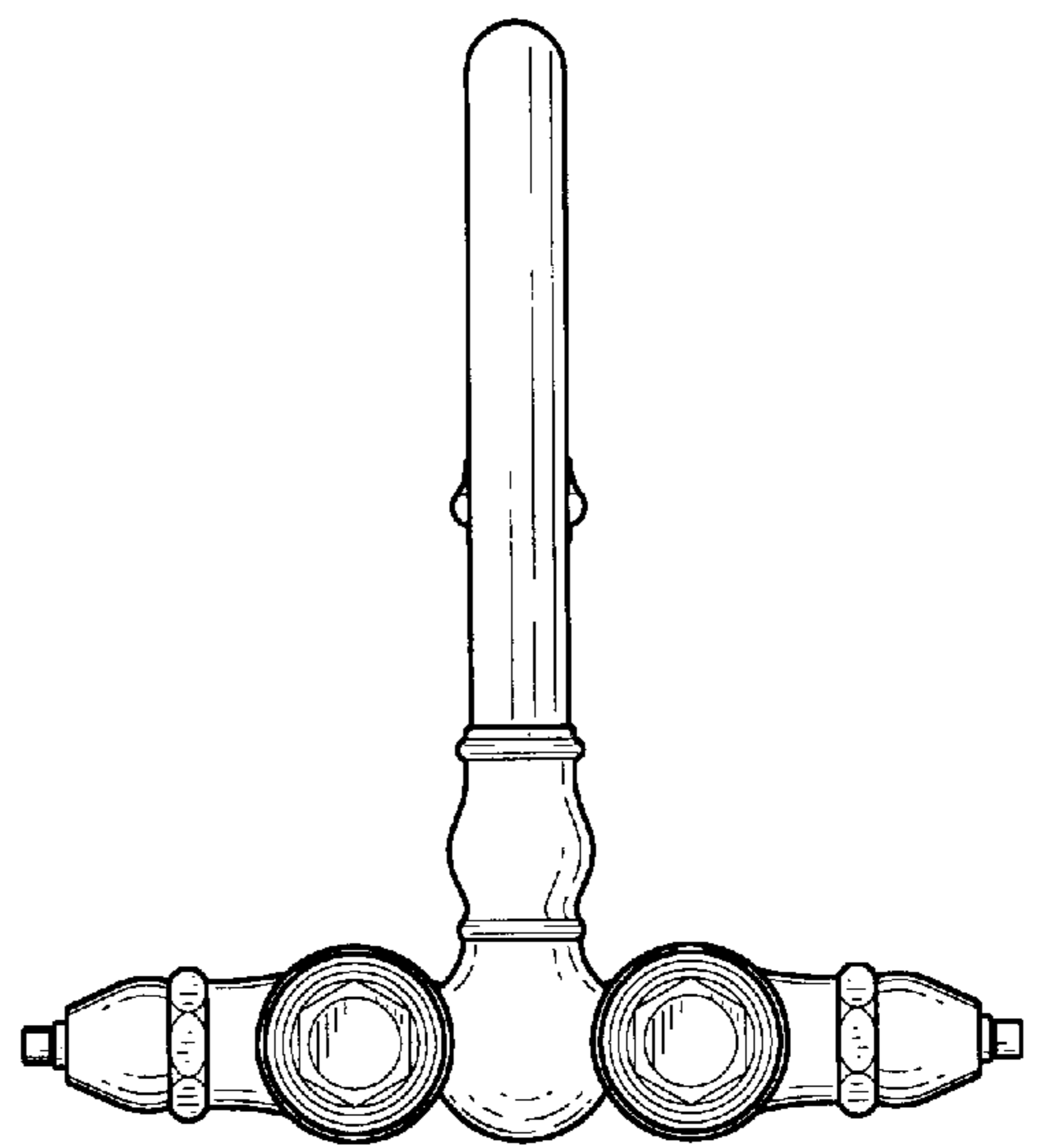


Fig. 6