



US00D478148S

(12) **United States Design Patent**
Ouyoung

(10) **Patent No.:** **US D478,148 S**

(45) **Date of Patent:** **** Aug. 5, 2003**

(54) **FAUCET**

D463,846 S * 10/2002 Ko D23/238

(75) **Inventor:** **Scott Ouyoung**, Taichung (TW)

* cited by examiner

(73) **Assignee:** **Globe Union Industrial Corp.**,
Taichung (TW)

Primary Examiner—Louis S. Zarfes
Assistant Examiner—Gregory Andoll
(74) *Attorney, Agent, or Firm*—Leong C. Lei

(**) **Term:** **14 Years**

(57) **CLAIM**

(21) **Appl. No.:** **29/170,837**

The ornamental design for a faucet, as shown and described.

(22) **Filed:** **Nov. 14, 2002**

DESCRIPTION

(51) **LOC (7) Cl.** **23-01**

(52) **U.S. Cl.** **D23/238**

(58) **Field of Search** D23/238–243,
D23/250–257; 4/675–678; 13/801

FIG. 1 is perspective view of a faucet showing my new design;

FIG. 2 is a front side elevation view thereof;

FIG. 3 is a left side elevation view thereof;

FIG. 4 is a right side elevation view thereof;

FIG. 5 is a rear side elevation view thereof;

FIG. 6 is a top plan view thereof; and,

FIG. 7 is a bottom plan view thereof.

(56) **References Cited**

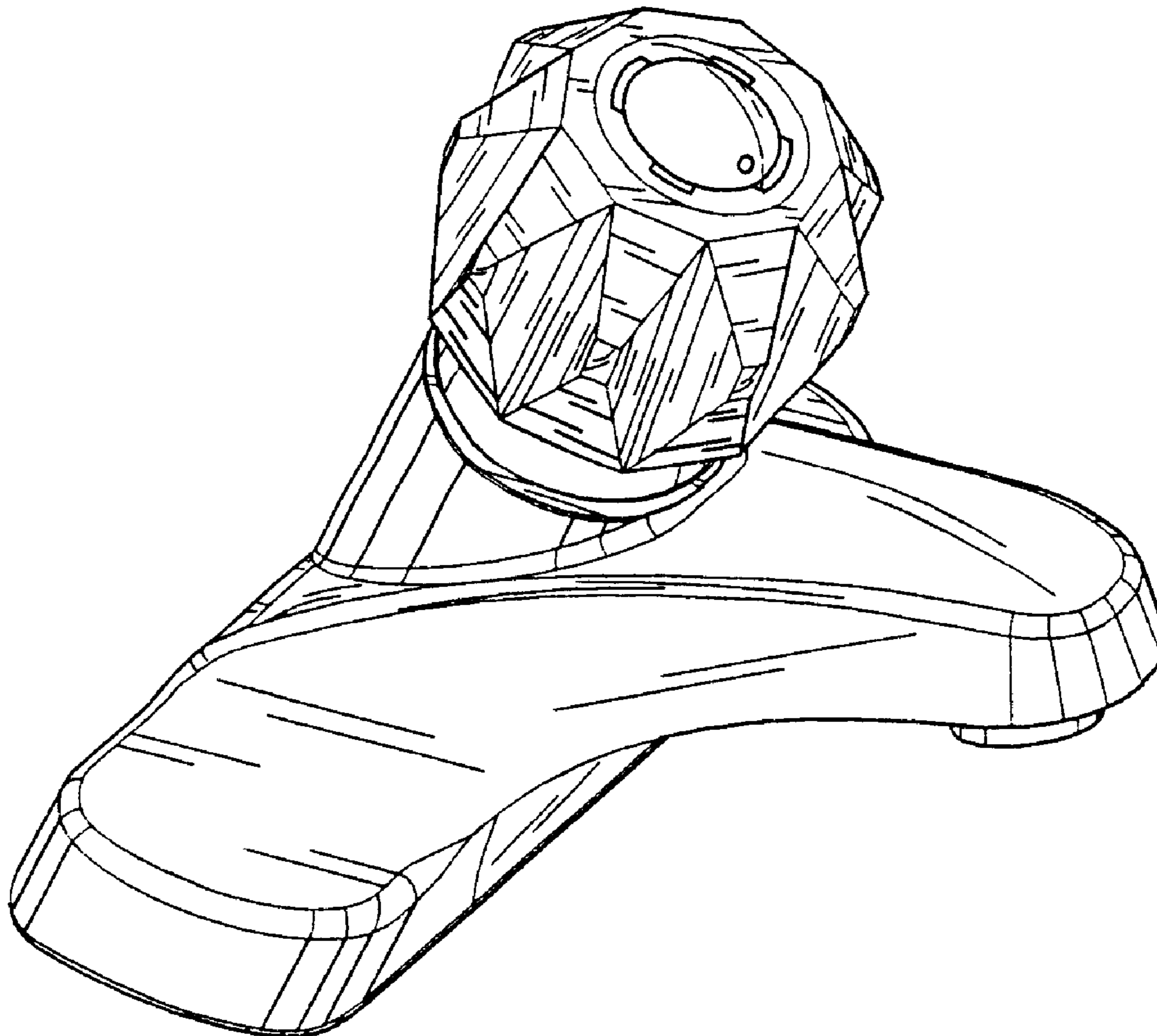
U.S. PATENT DOCUMENTS

D381,066 S * 7/1997 Hill et al. D23/238

D397,422 S * 8/1998 Meisner et al. D23/238

D461,526 S * 8/2002 Chang D23/238

1 Claim, 4 Drawing Sheets



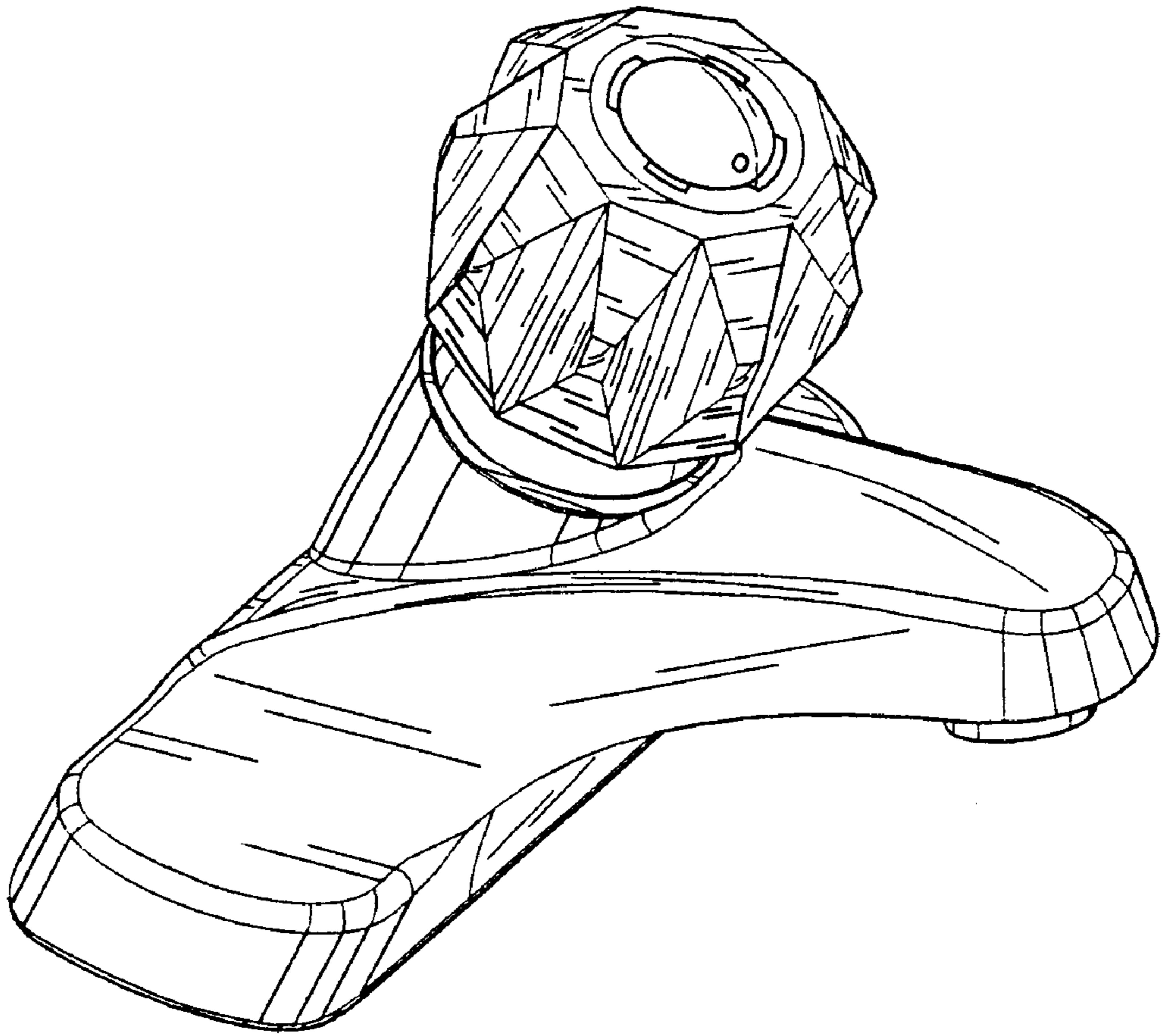


FIG. 1

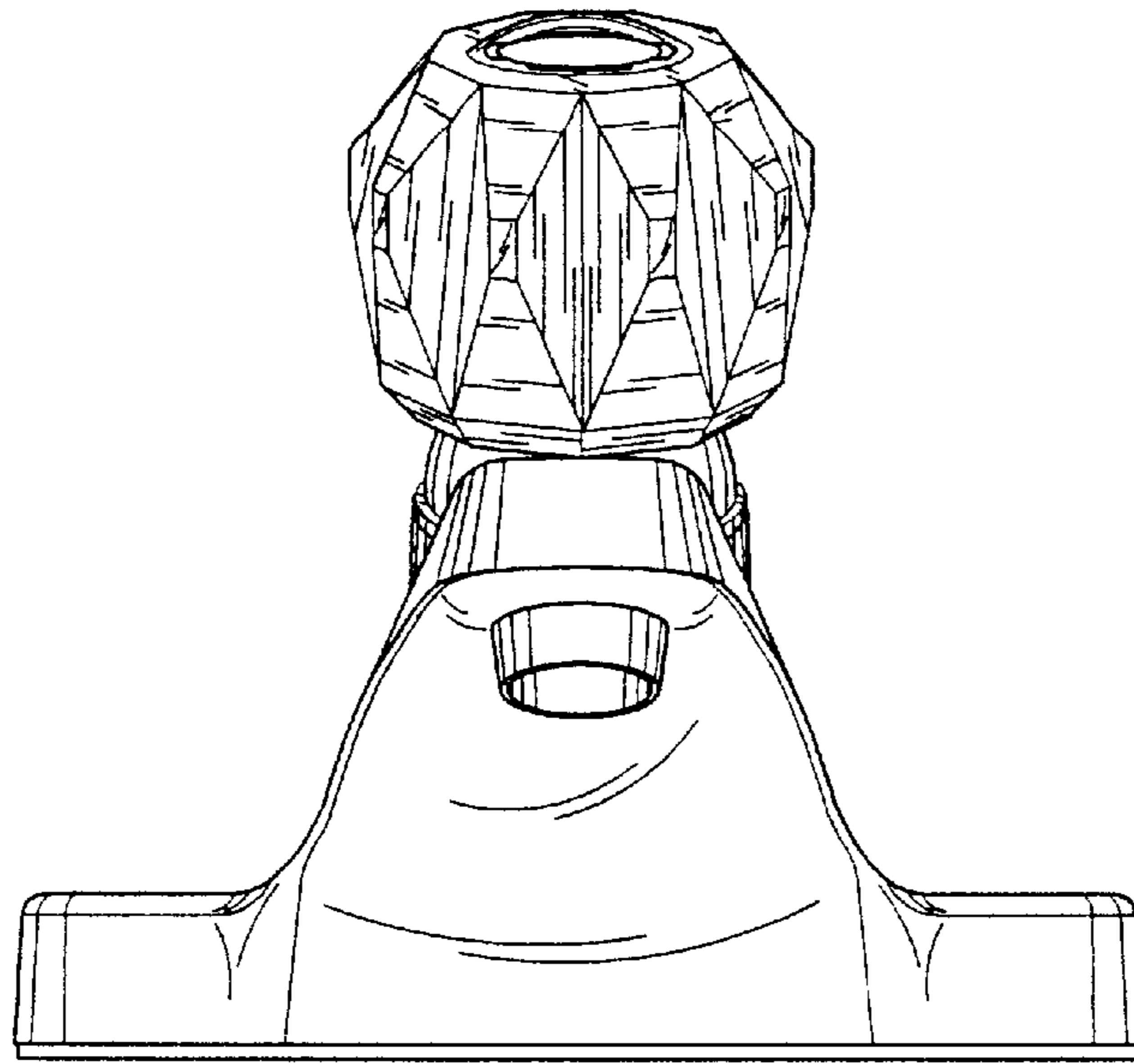


FIG. 2

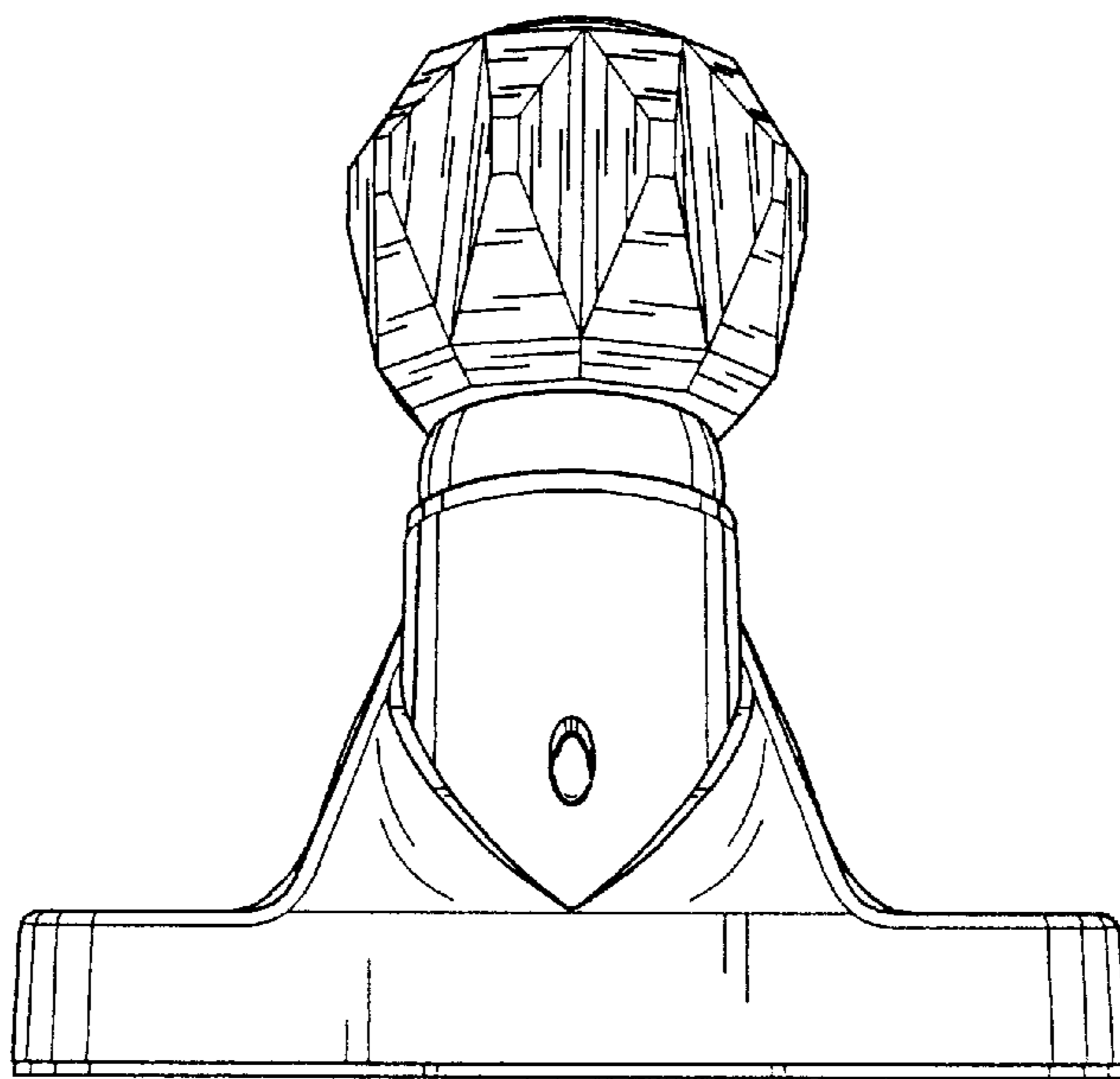


FIG. 5

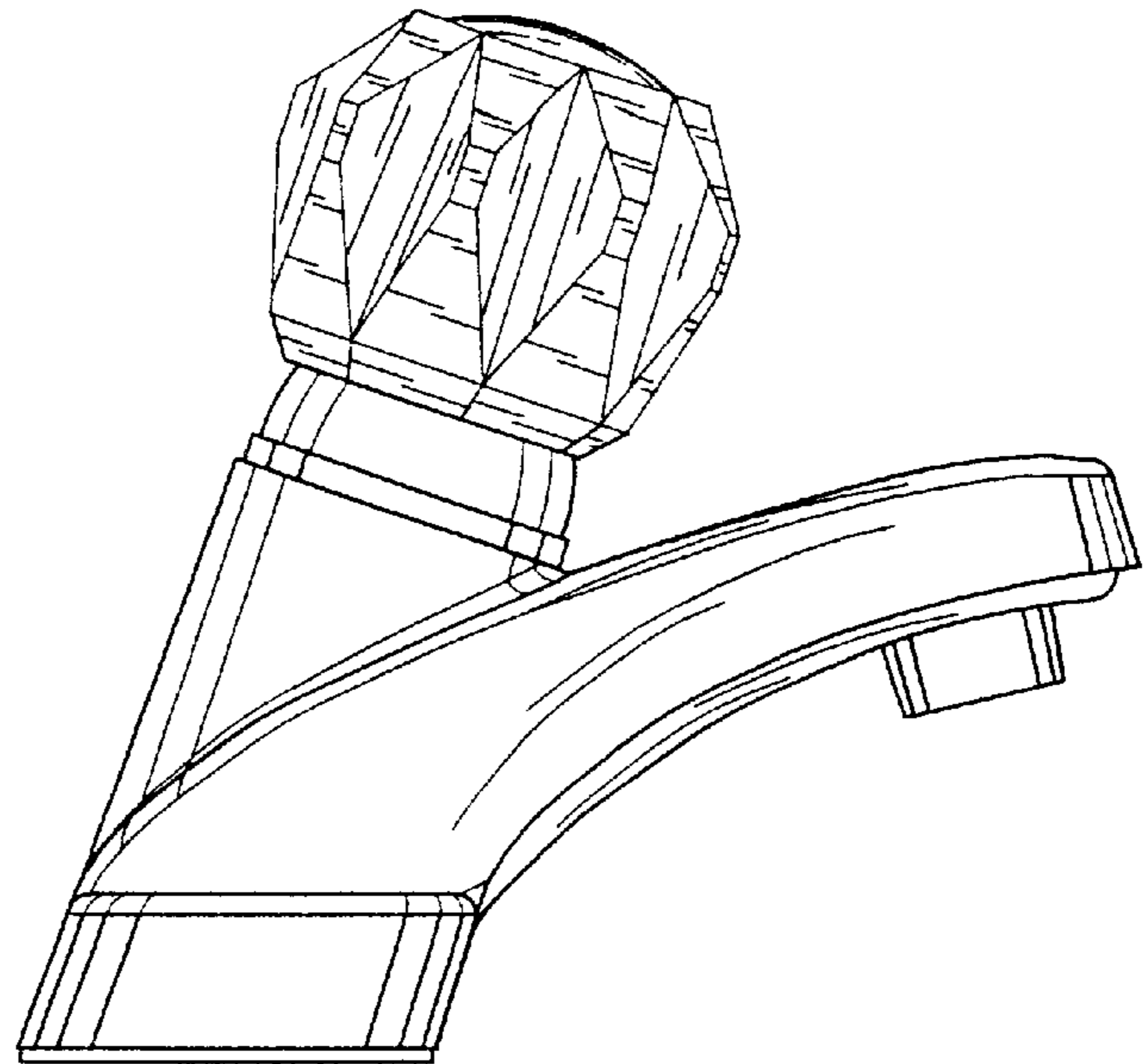


FIG. 3

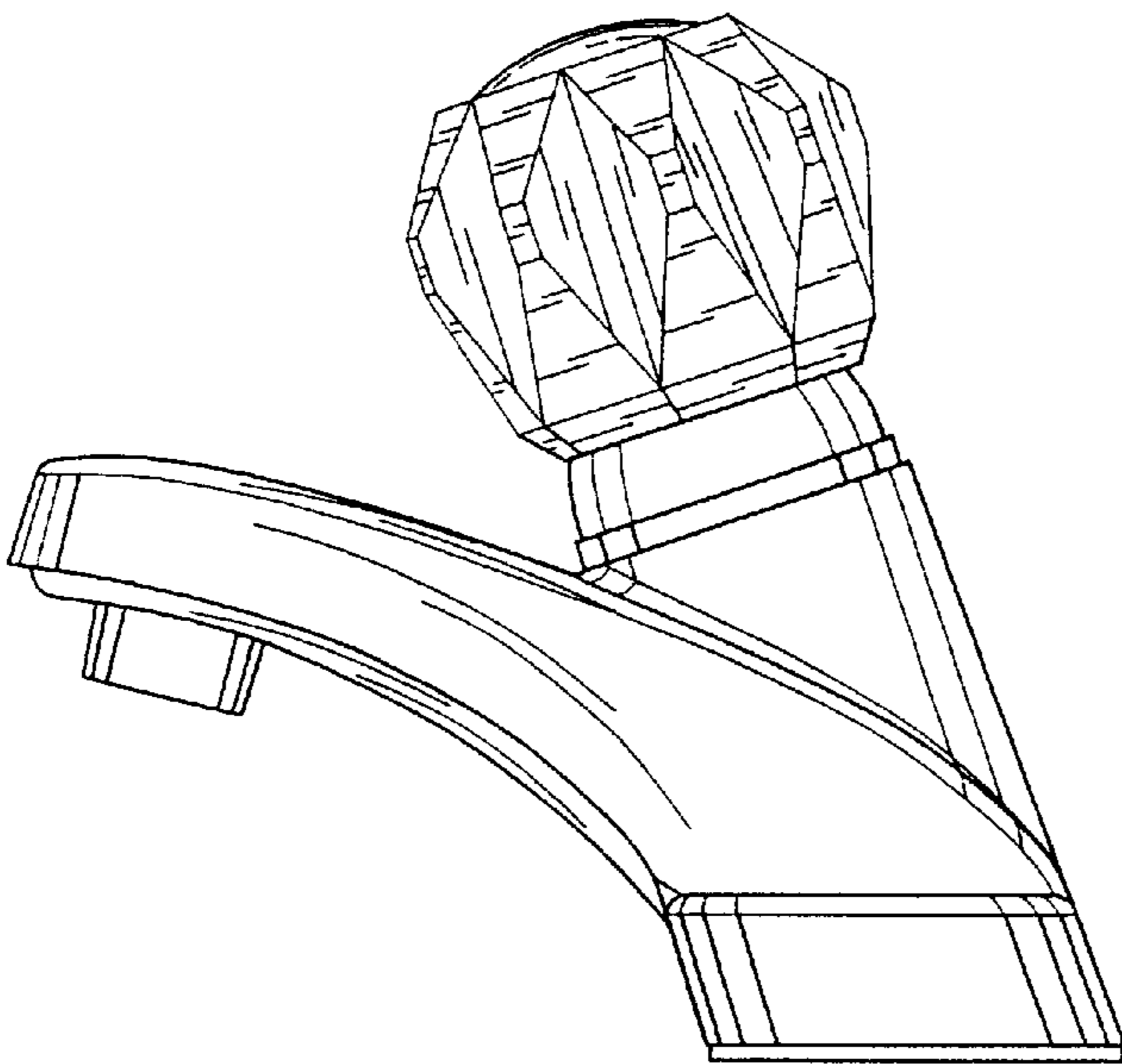


FIG. 4

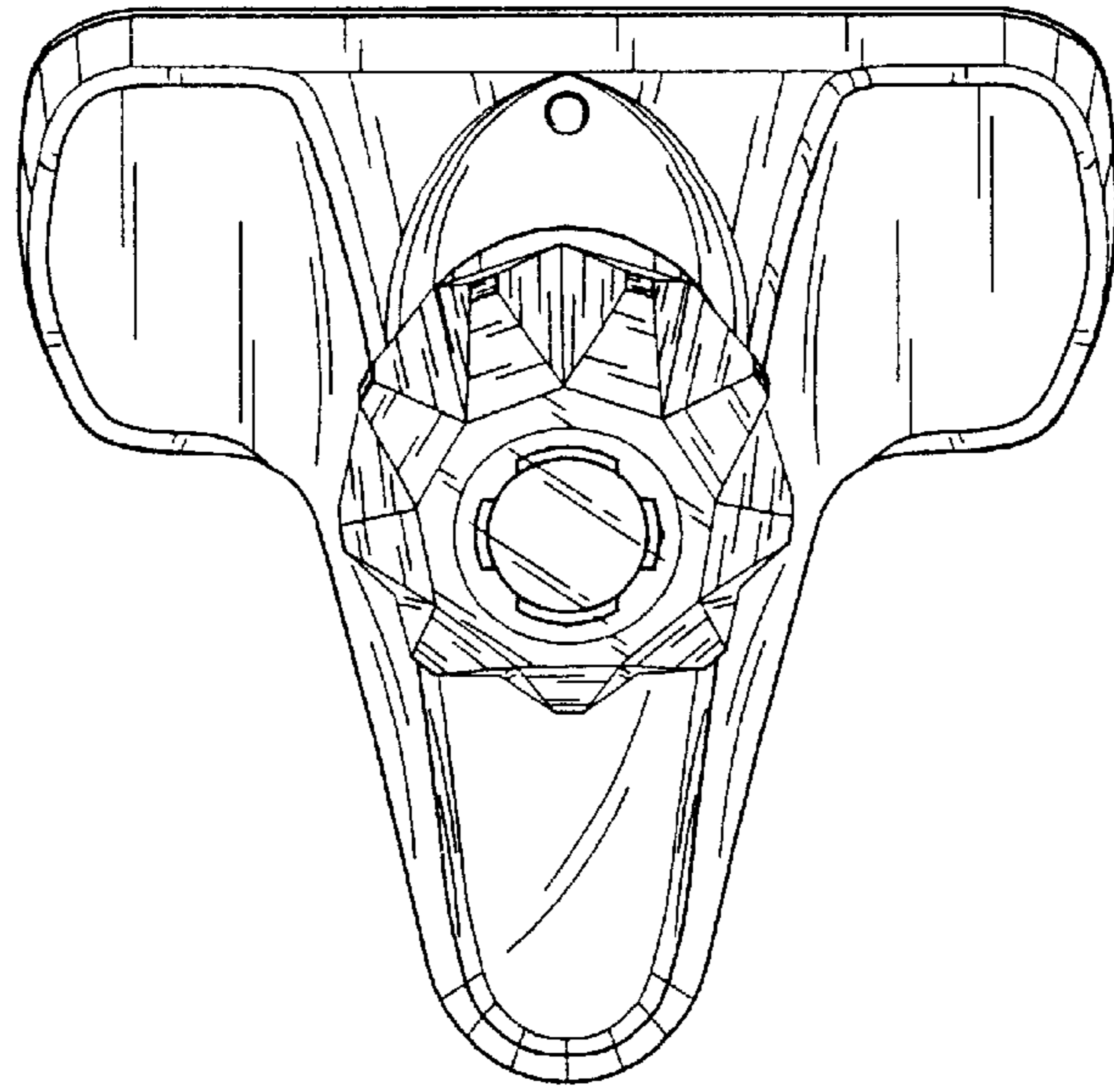


FIG. 6

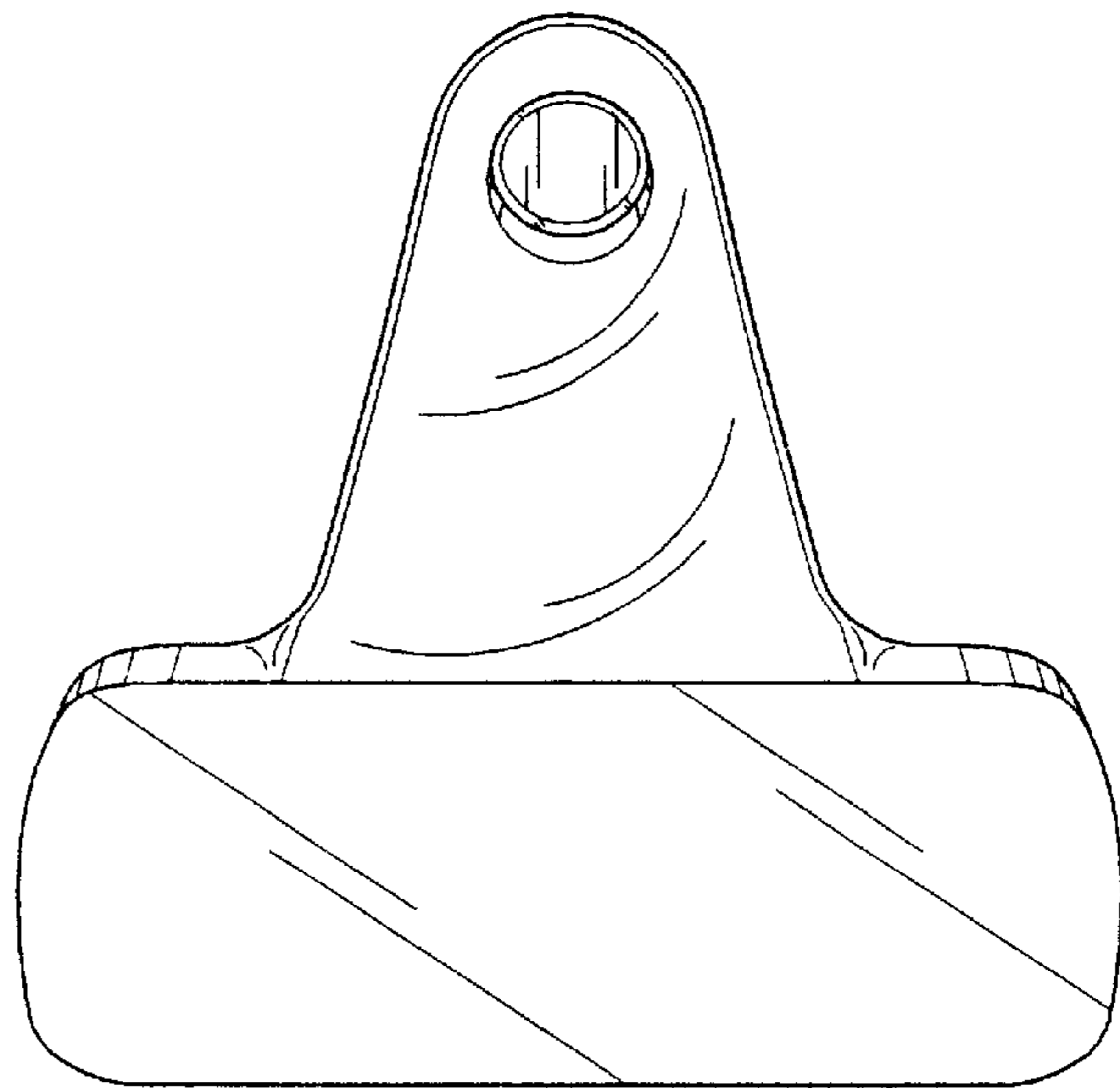


FIG. 7