



US00D478147S

(12) **United States Design Patent**
Ouyoung

(10) **Patent No.:** **US D478,147 S**

(45) **Date of Patent:** **** Aug. 5, 2003**

(54) **FAUCET**

(75) **Inventor:** **Scott Ouyoung**, Taichung (TW)

(73) **Assignee:** **Globe Union Industrial Corp.**,
Taichung (TW)

(**) **Term:** **14 Years**

(21) **Appl. No.:** **29/170,486**

(22) **Filed:** **Nov. 7, 2002**

(51) **LOC (7) Cl.** **23-01**

(52) **U.S. Cl.** **D23/238**

(58) **Field of Search** D23/238-243,
D23/250-257; 4/675-678; 137/801

(56) **References Cited**

U.S. PATENT DOCUMENTS

- D213,874 S * 4/1969 Landell D23/243
- D387,132 S * 12/1997 Donahue et al. D23/238
- D404,120 S * 1/1999 Donahue et al. D23/243

- D405,161 S * 2/1999 Kolada D23/243
- D424,173 S * 5/2000 Donahue et al. D23/243

* cited by examiner

Primary Examiner—Louis S. Zarfes

Assistant Examiner—Gregory Andoll

(74) *Attorney, Agent, or Firm*—Leong C. Lei

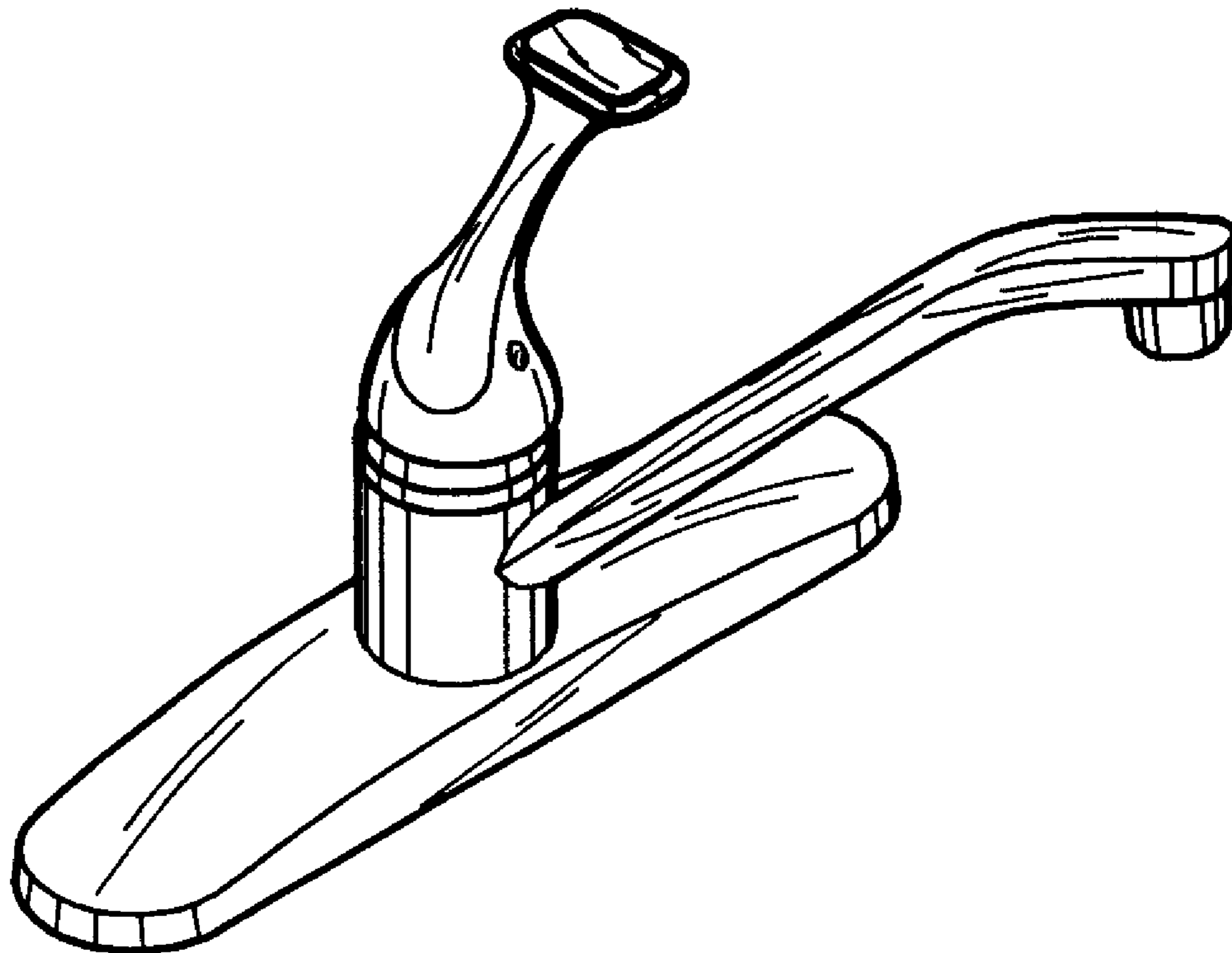
(57) **CLAIM**

The ornamental design for a faucet, as shown and described.

DESCRIPTION

FIG. 1 is a perspective view of a faucet showing my new design;
 FIG. 2 is a front side elevation view thereof;
 FIG. 3 is a left side elevation view thereof;
 FIG. 4 is a right side elevation view thereof;
 FIG. 5 is a rear side elevation view thereof;
 FIG. 6 is a top plan view thereof; and,
 FIG. 7 is a bottom plan view thereof.

1 Claim, 4 Drawing Sheets



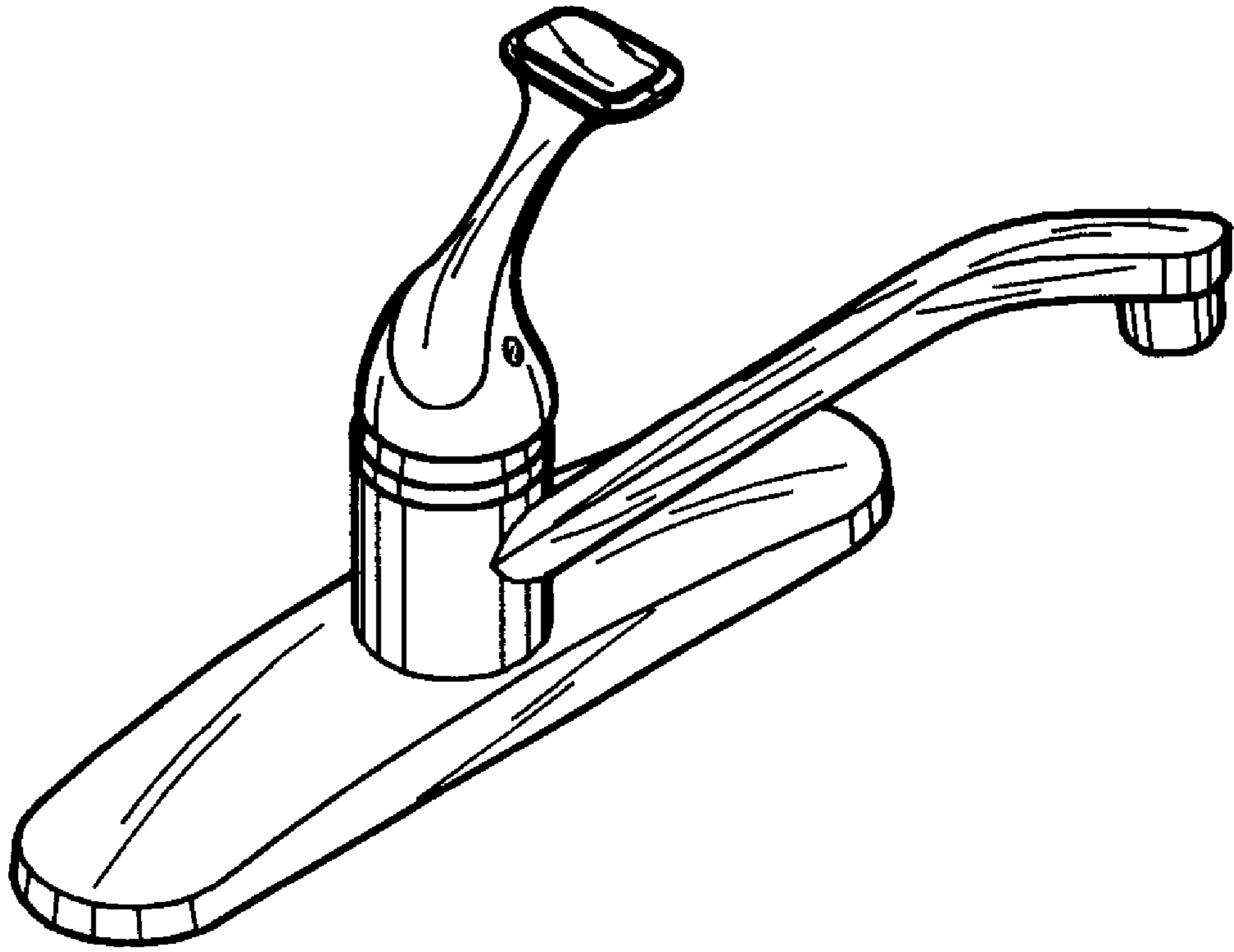


FIG. 1

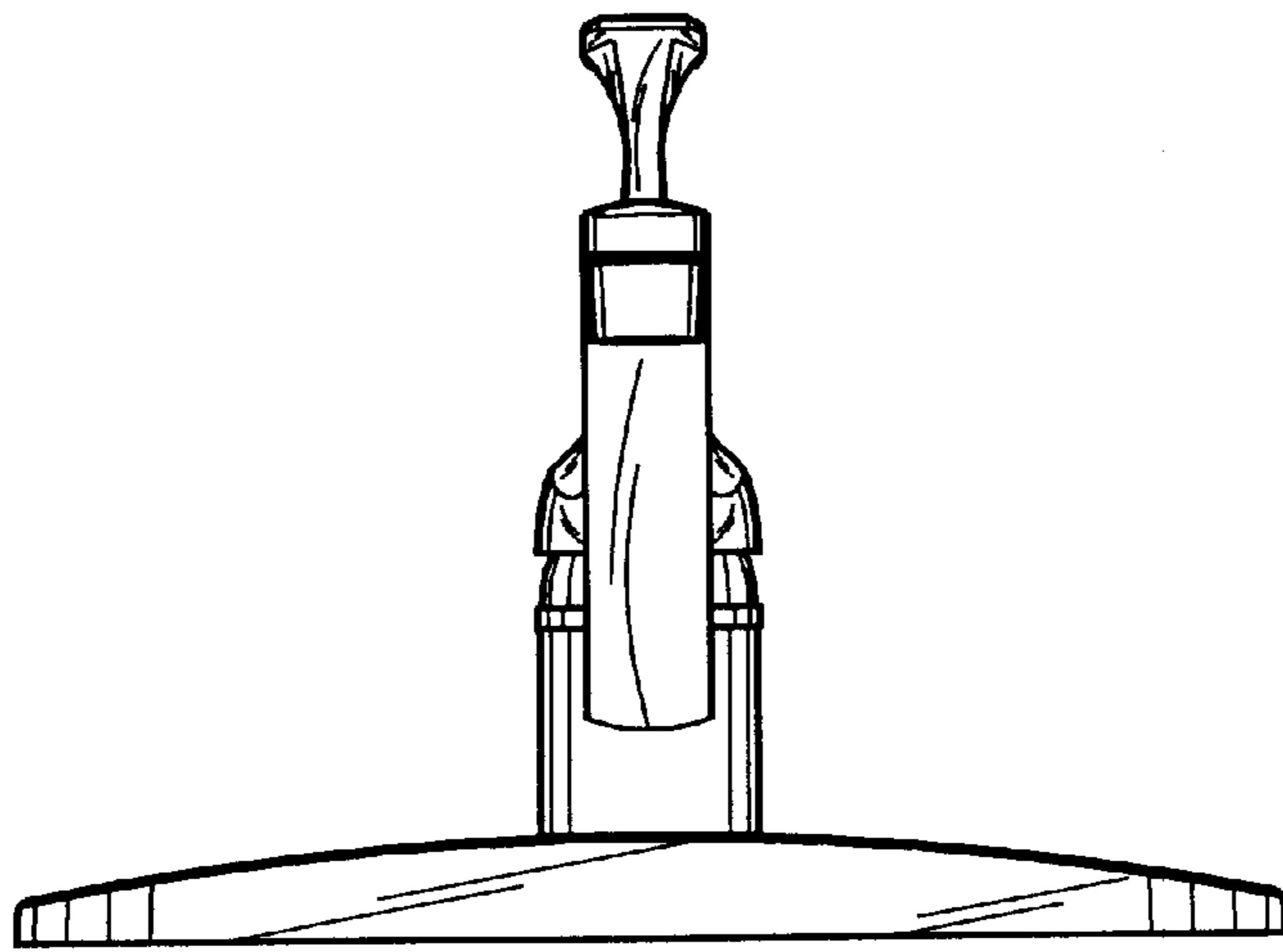


FIG. 2

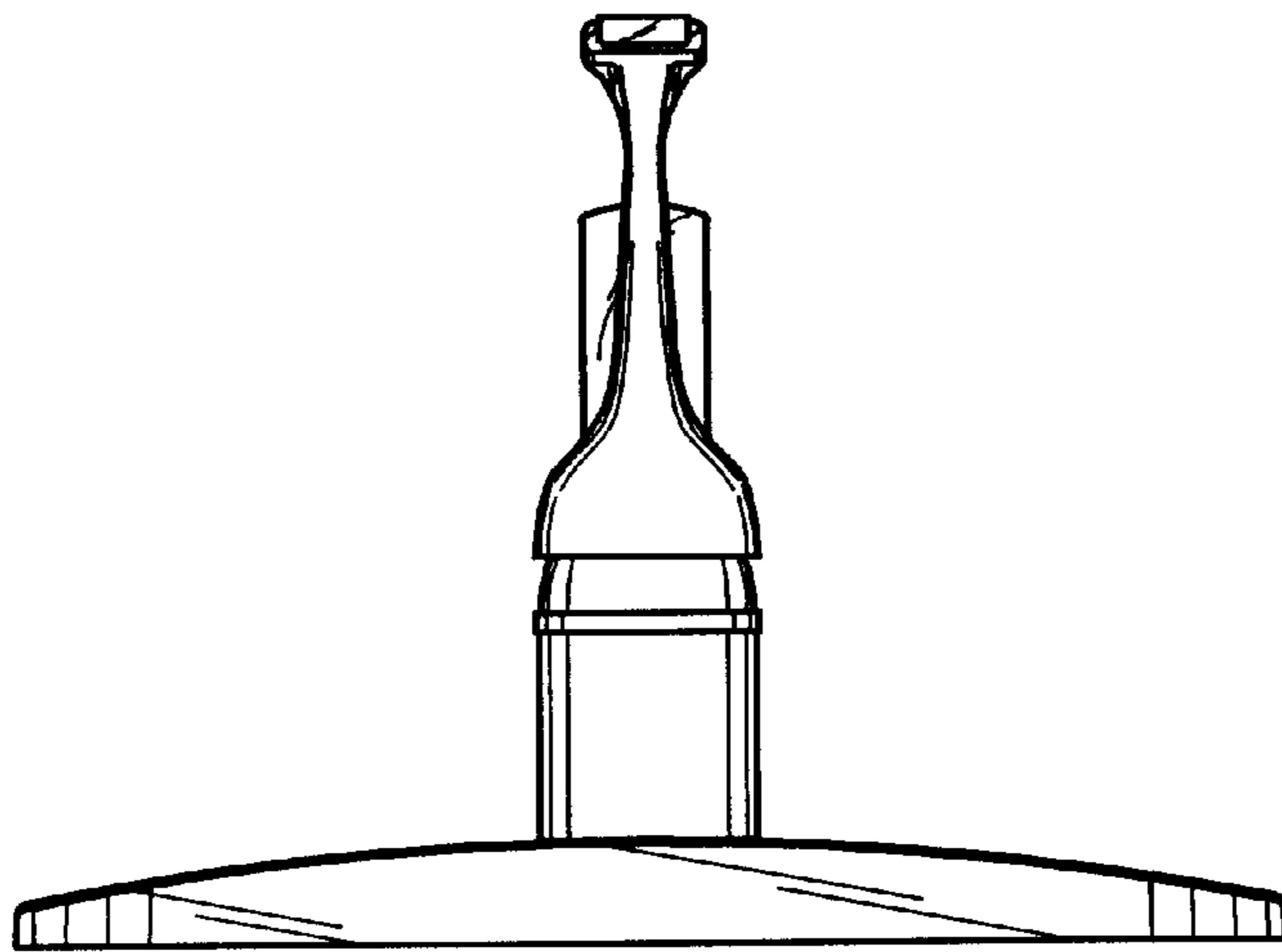


FIG. 5

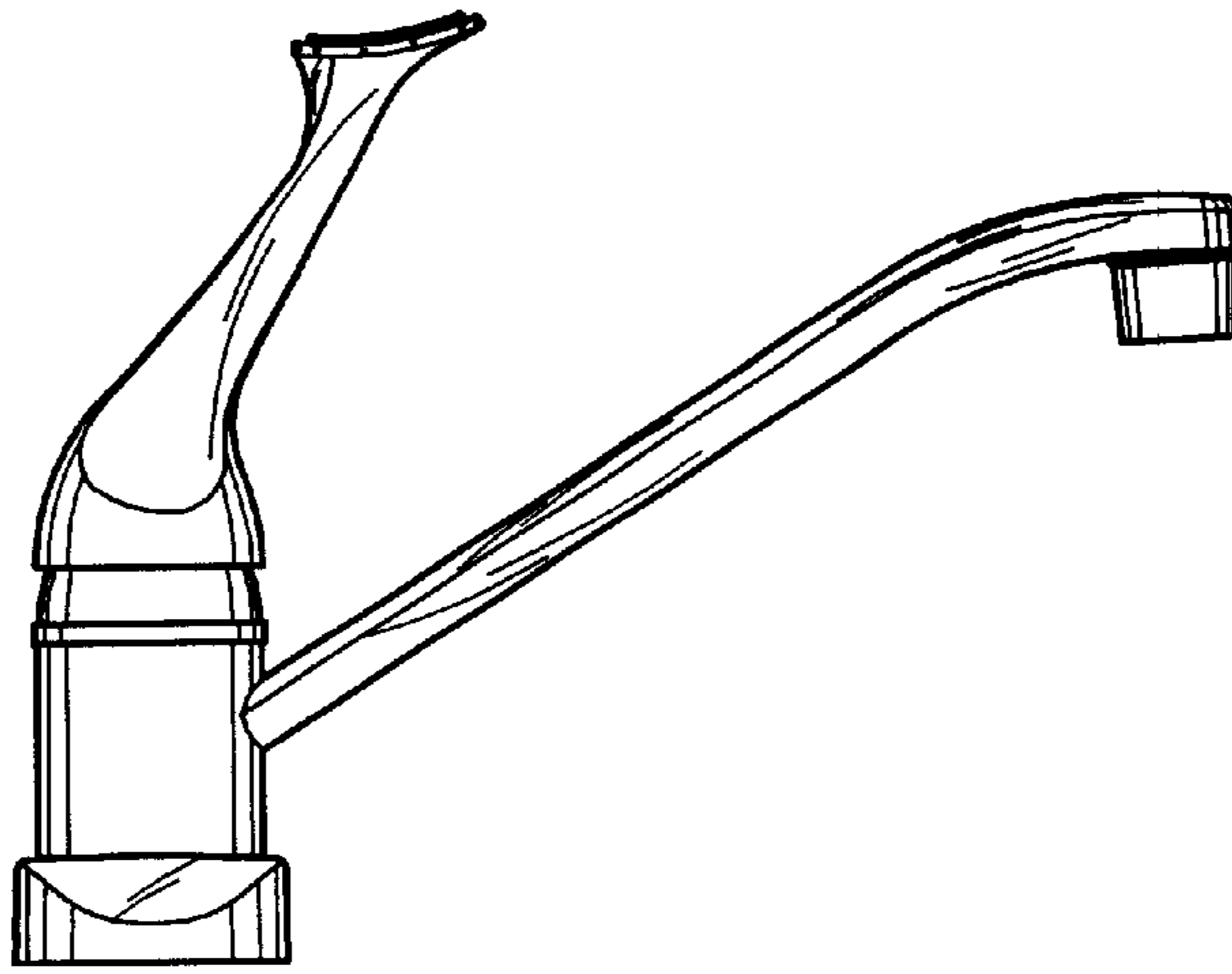


FIG. 3

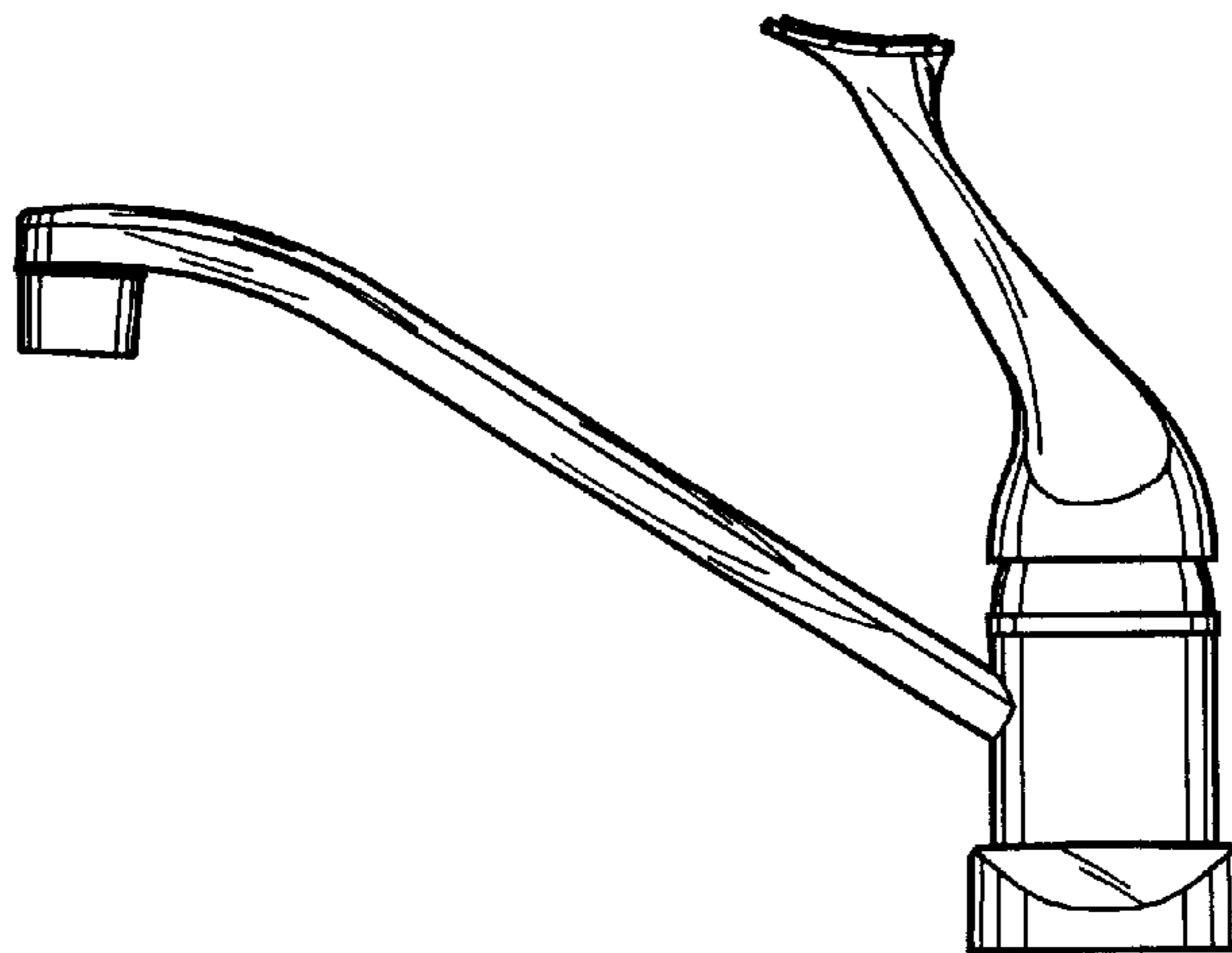


FIG. 4

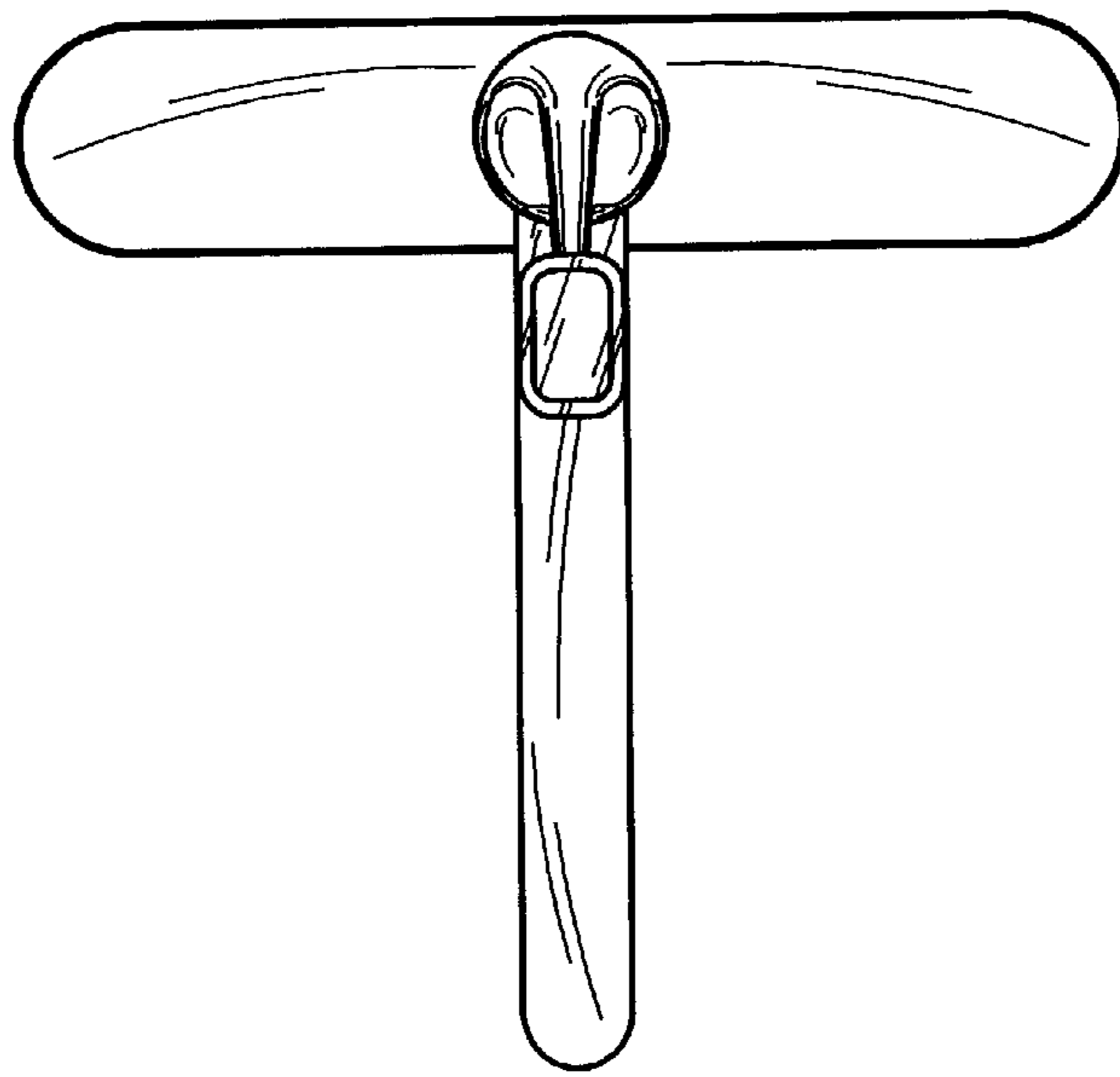


FIG. 6

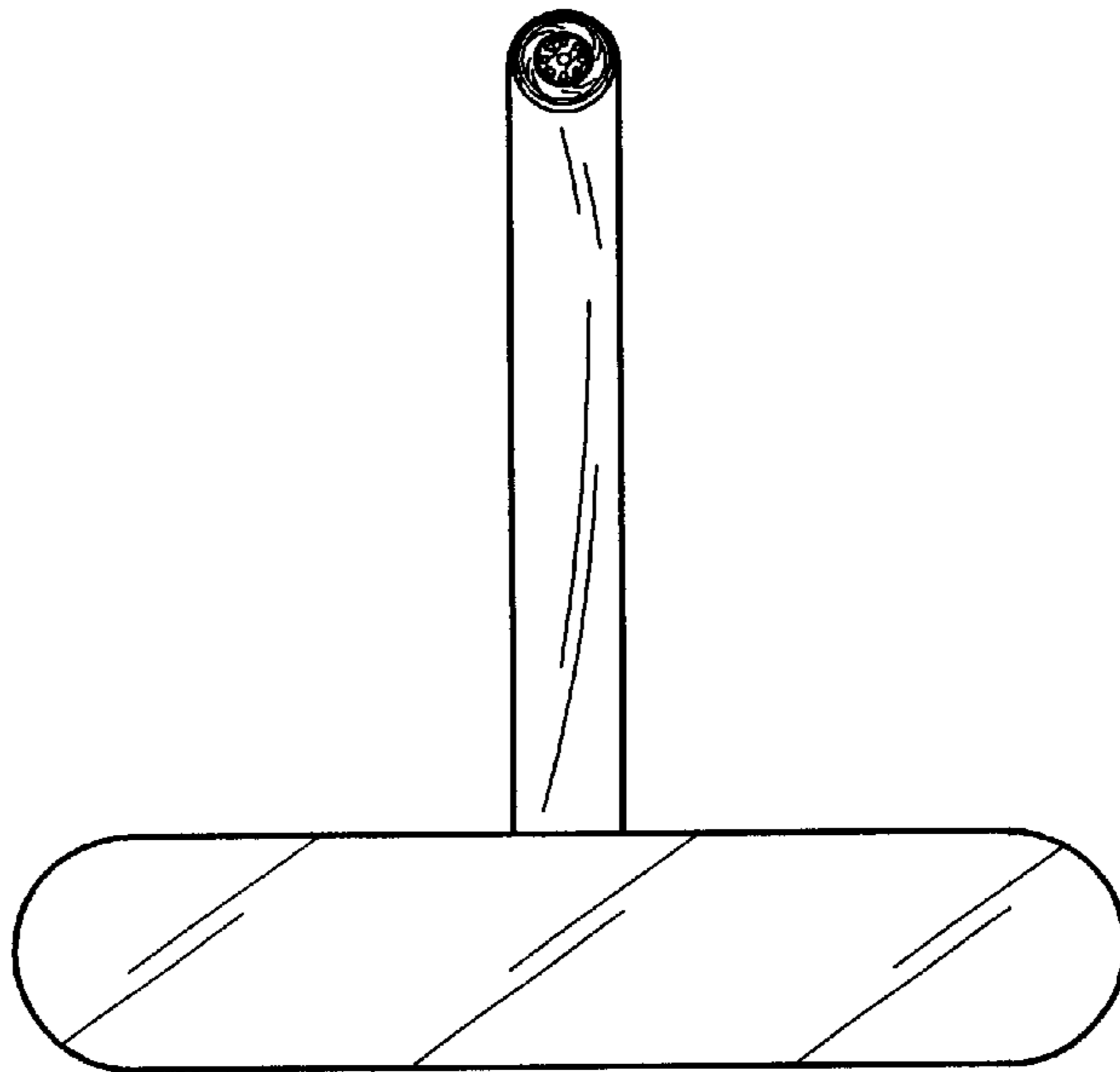


FIG. 7