



US00D478146S

(12) **United States Design Patent**
Wygant

(10) **Patent No.:** **US D478,146 S**

(45) **Date of Patent:** **** Aug. 5, 2003**

(54) **PNEUMATIC GUN BOLT**

(76) **Inventor:** **Steven J. Wygant**, 65695 US 33,
Goshen, IN (US) 46526

(**) **Term:** **14 Years**

(21) **Appl. No.:** **29/168,732**

(22) **Filed:** **Oct. 7, 2002**

(51) **LOC (7) Cl.** **22-01**

(52) **U.S. Cl.** **D22/108**

(58) **Field of Search** D22/100, 108,
D22/199; 124/49, 50, 71, 72, 73, 74, 75,
76, 77, 78, 81; 89/198

(56) **References Cited**

U.S. PATENT DOCUMENTS

5,078,118 A	1/1992	Perrone	
5,280,778 A	1/1994	Kotsiopoulos	
5,494,024 A	2/1996	Scott	
5,505,188 A	4/1996	Williams	
5,509,399 A	4/1996	Poor	
5,542,406 A *	8/1996	Oneto	124/50 X
5,878,736 A	3/1999	Lotuaco, III	

5,913,303 A	6/1999	Kotsiopoulos	
5,967,133 A	10/1999	Gardner, Jr.	
6,035,843 A	3/2000	Smith et al.	
6,142,136 A *	11/2000	Velasco	124/73 X
6,213,112 B1 *	4/2001	Squire	124/74
6,418,920 B1	7/2002	Marr	
6,532,949 B1 *	3/2003	McKendrick	124/77
2003/0000511 A1 *	1/2003	Moritz	124/73

* cited by examiner

Primary Examiner—Louis S. Zarfaz
Assistant Examiner—Monica A. Weingart

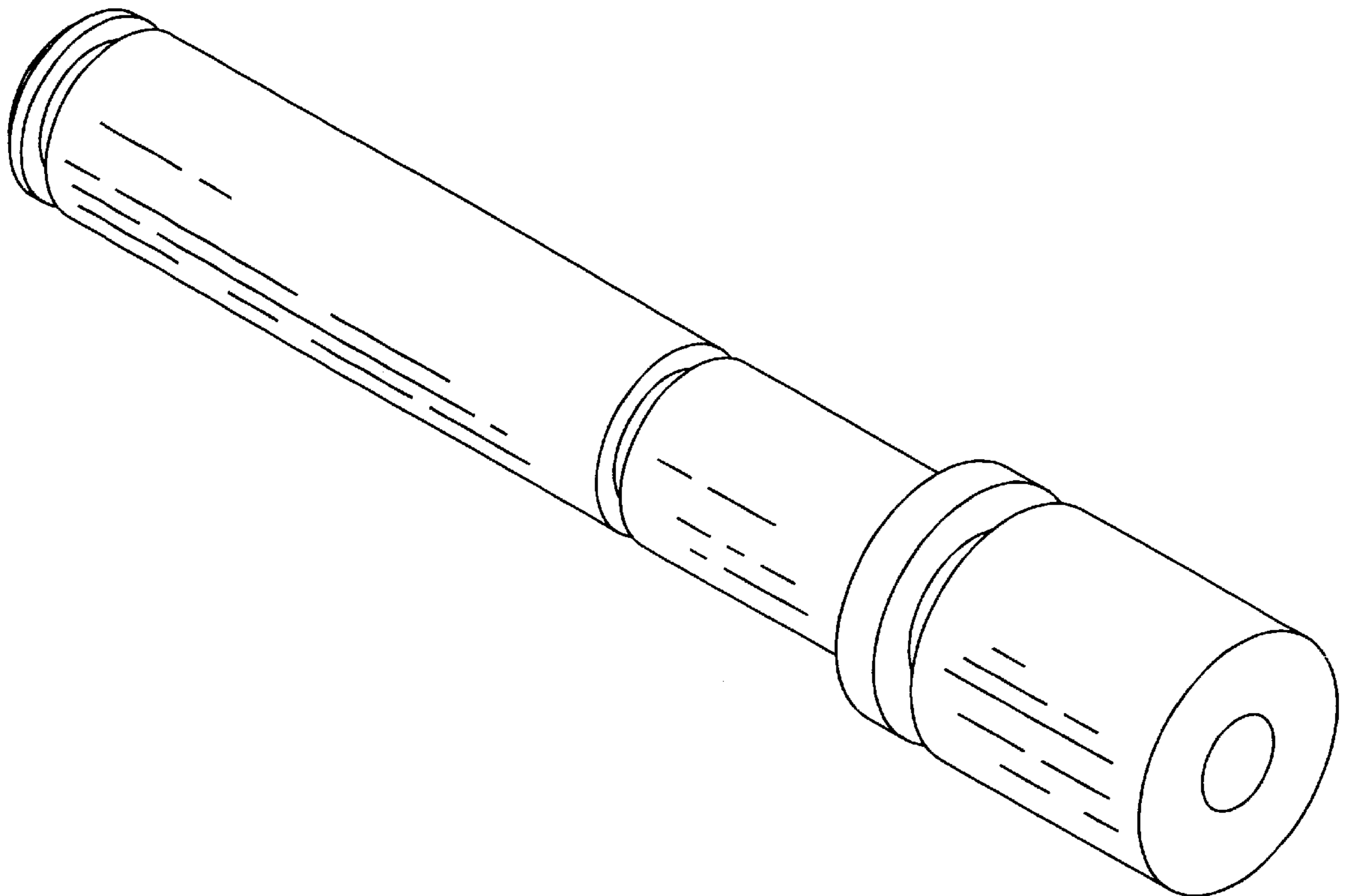
(57) **CLAIM**

The ornamental design for a pneumatic gun bolt, as shown.

DESCRIPTION

FIG. 1 is an isometric view of a pneumatic gun bolt showing my new design;
FIG. 2 is a side elevational view thereof;
FIG. 3 is an elevational view of the other side thereof;
FIG. 4 is an end elevational view thereof; and,
FIG. 5 is a end elevational view of the opposing end thereof.

1 Claim, 4 Drawing Sheets



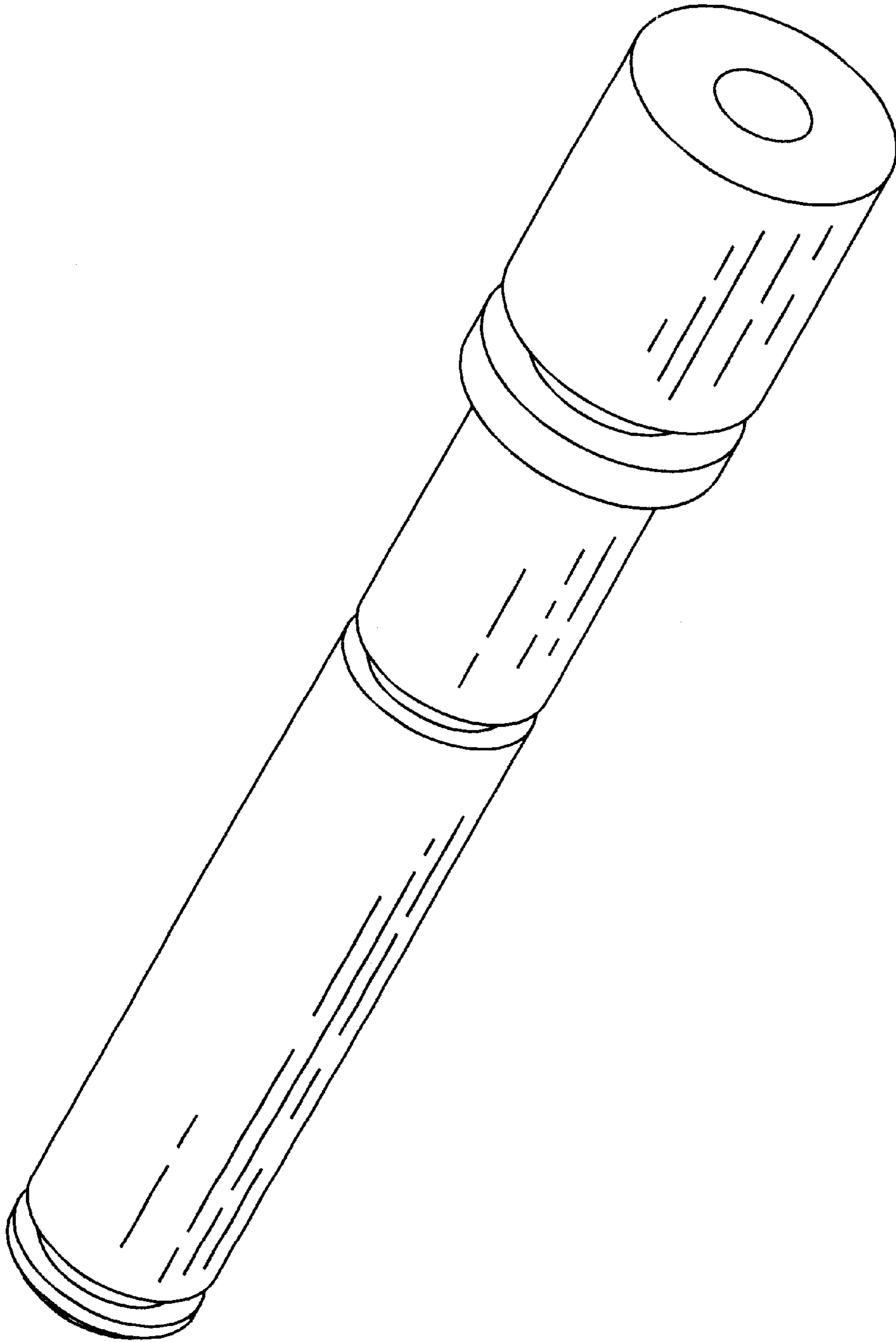


FIG. 1

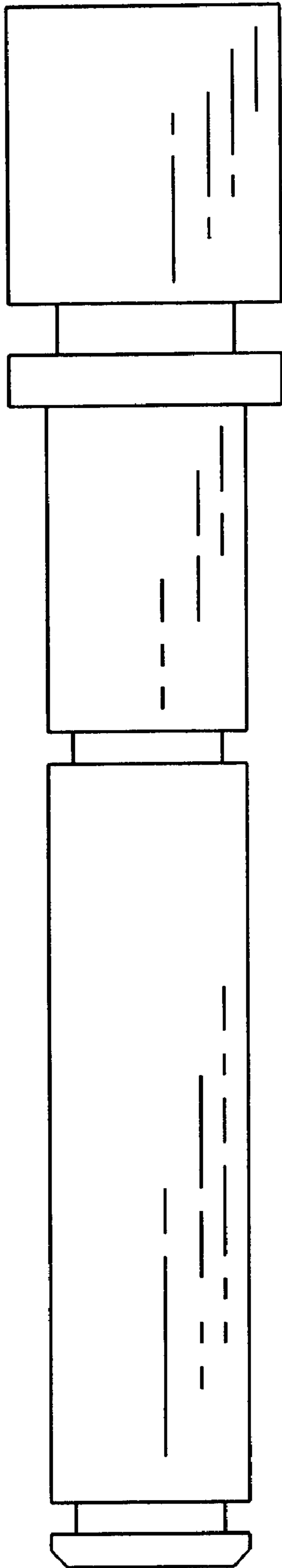


FIG. 2

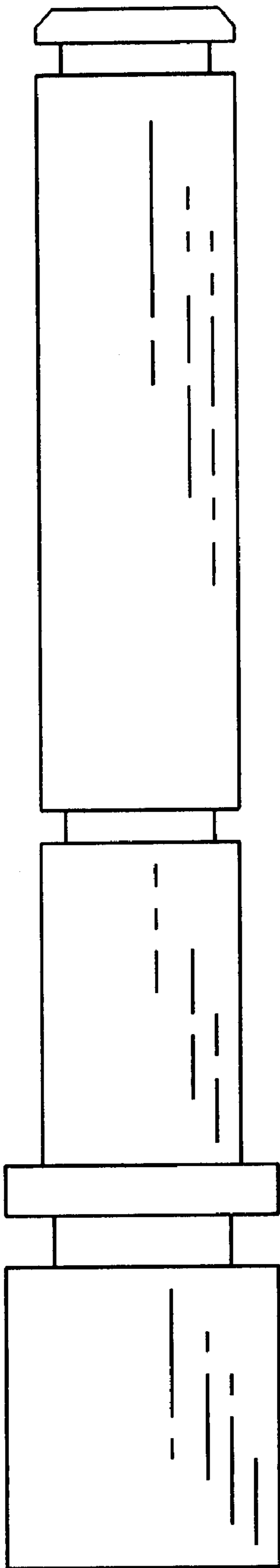


FIG. 3

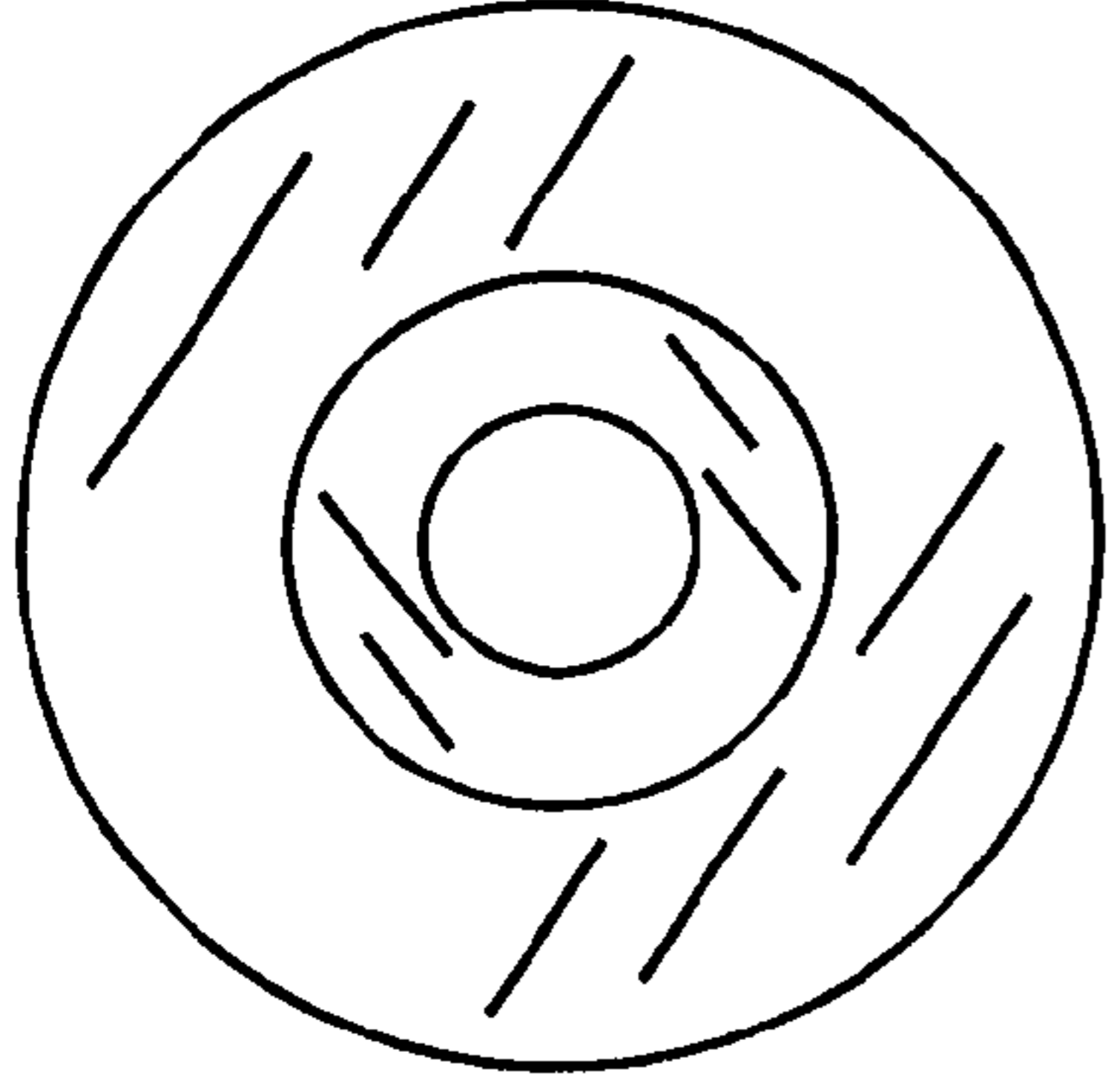


FIG. 5

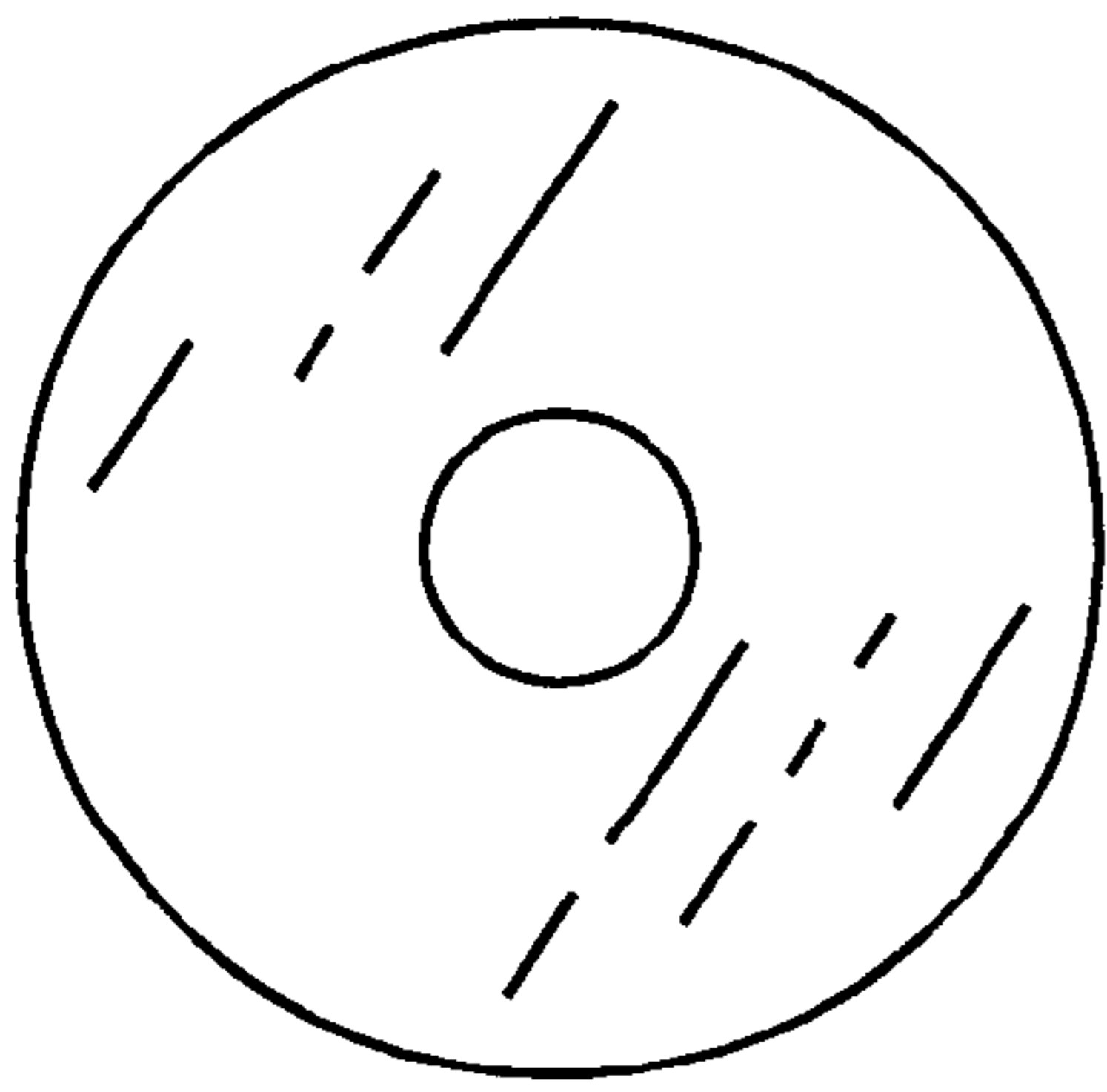


FIG. 4