



US00D478140S

(12) **United States Design Patent**  
**Burrows**

(10) **Patent No.:** **US D478,140 S**

(45) **Date of Patent:** **\*\* Aug. 5, 2003**

(54) **WOOD TYPE HEAD FOR A GOLF CLUB**

(75) Inventor: **Bruce D. Burrows**, Santa Clarita, CA (US)

(73) Assignee: **Burrows Golf, Inc.**, Valencia, CA (US)

(\*\*) Term: **14 Years**

(21) Appl. No.: **29/162,741**

(22) Filed: **Jun. 20, 2002**

(51) **LOC (7) Cl.** ..... **21-02**

(52) **U.S. Cl.** ..... **D21/752**

(58) **Field of Search** ..... D21/733, 752,  
D21/753, 759; 473/324-331, 343, 344

(56) **References Cited**

**U.S. PATENT DOCUMENTS**

1,449,559	A	*	3/1923	Relle	.....	473/342
2,255,332	A	*	9/1941	Russell	.....	473/328
D245,634	S	*	8/1977	Churchward	.....	D21/759
D351,884	S	*	10/1994	Solheim et al.	.....	D21/759
D378,111	S	*	2/1997	Parente et al.	.....	D21/752
D385,003	S		10/1997	Burrows		
D390,294	S		2/1998	Burrows		
D390,295	S		2/1998	Burrows		
D392,354	S		3/1998	Burrows		
D397,386	S	*	8/1998	Berglund	.....	D21/733
D397,749	S		9/1998	Burrows		
D401,299	S		11/1998	Burrows		
5,851,159	A		12/1998	Burrows		
D413,642	S		9/1999	Burrows		
D413,953	S		9/1999	Burrows		
D426,604	S	*	6/2000	Besnard et al.	.....	D21/752
6,422,951	B1		7/2002	Burrows		

\* cited by examiner

*Primary Examiner*—Mitchell Siegel

(74) *Attorney, Agent, or Firm*—Kelly Bauersfeld Lowry & Kelley, LLP

(57) **CLAIM**

The ornamental design for a wood type head for a golf club, as shown and described.

**DESCRIPTION**

FIG. 1 is a perspective view showing the bottom, front and toe end sides of a wood type for a golf club embodying the new design;

FIG. 2 is a front elevational view thereof;

FIG. 3 is a toe end elevational view thereof;

FIG. 4 is a heel end elevational view thereof;

FIG. 5 is a rear elevational view thereof;

FIG. 6 is a top plan view thereof;

FIG. 7 is a bottom plan view thereof;

FIG. 8 is a sectional view taken generally on the line 8—8 of FIG. 3;

FIG. 9 is a bottom plan view of a second embodiment of the golf club head as disclosed in FIGS. 1-8;

FIG. 10 is a toe end elevational view of the embodiment of FIG. 9;

FIG. 11 is a bottom plan view of a third embodiment of the golf club head as disclosed in FIGS. 1-8;

FIG. 12 is a toe end elevational view of the embodiment of FIG. 11;

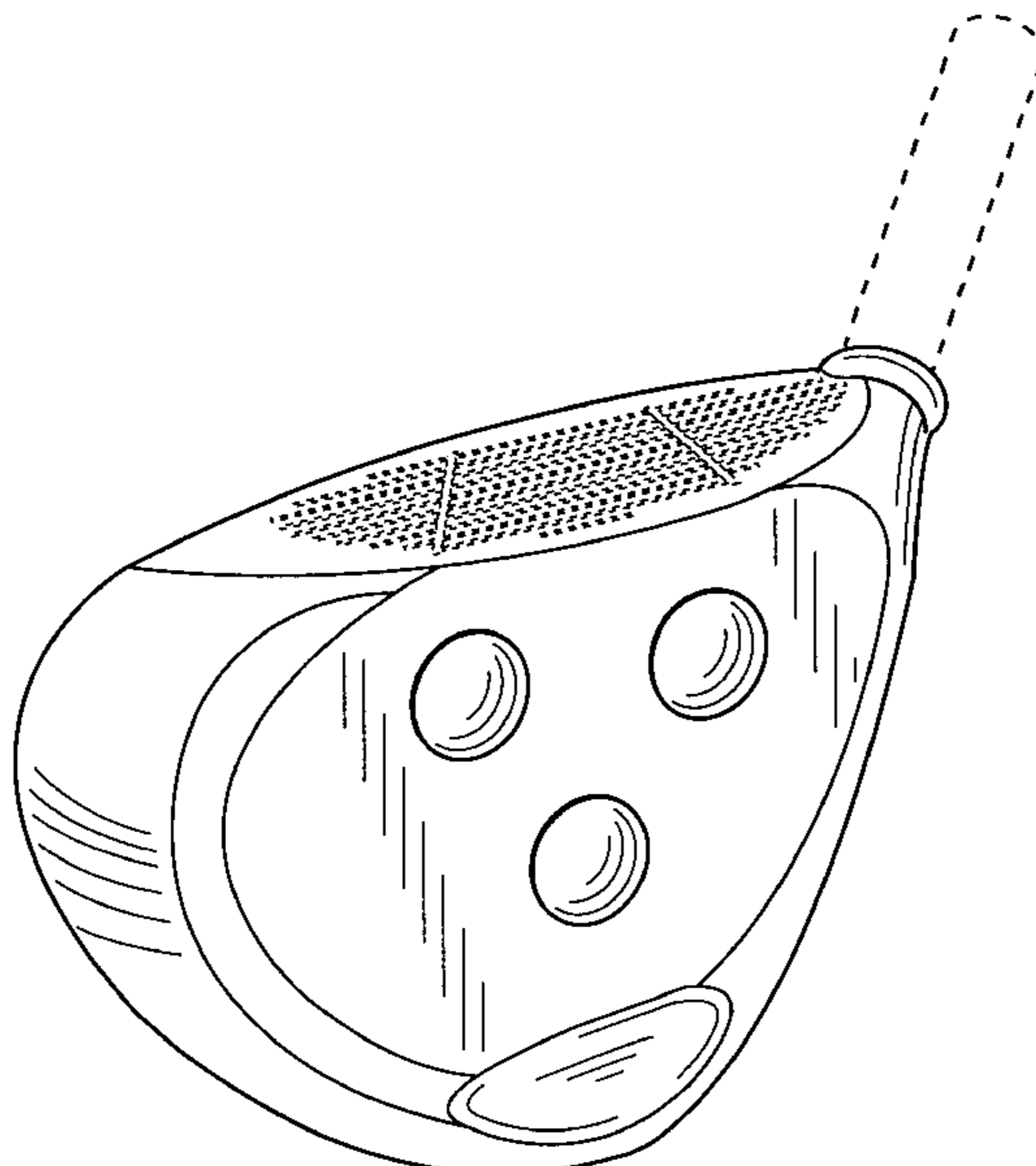
FIG. 13 is a bottom plan view of a fourth embodiment of the golf club head as disclosed in FIGS. 1-8; and,

FIG. 14 is a toe end elevational view of the embodiment of FIG. 13.

The undisclosed sides of the second, third and fourth embodiments are identical to those shown of the first embodiment.

The broken line showings of a fragmented golf club shaft and a faceplate groove pattern are for illustrative purposes only and form no part of the claimed design.

**1 Claim, 7 Drawing Sheets**



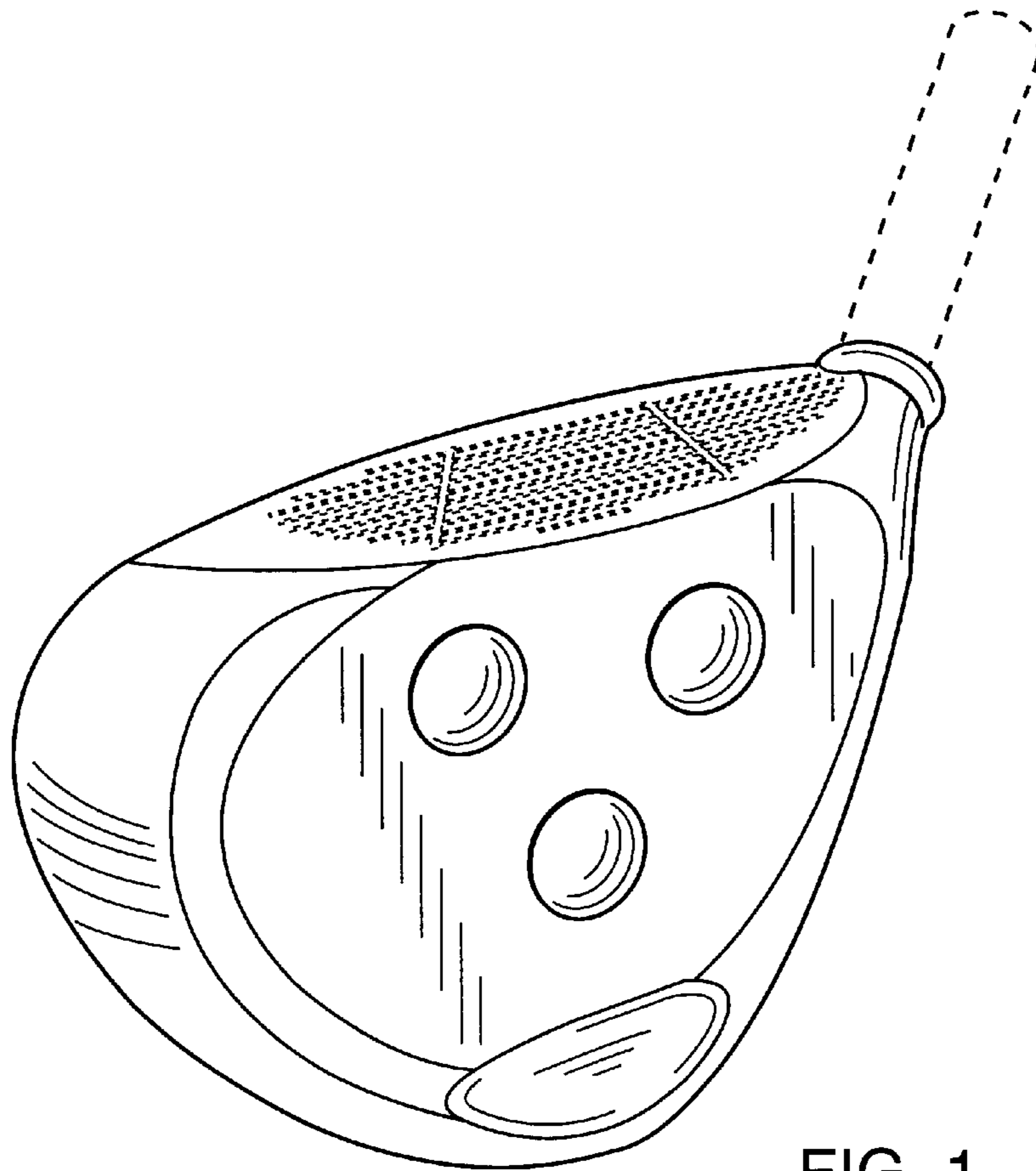


FIG. 1

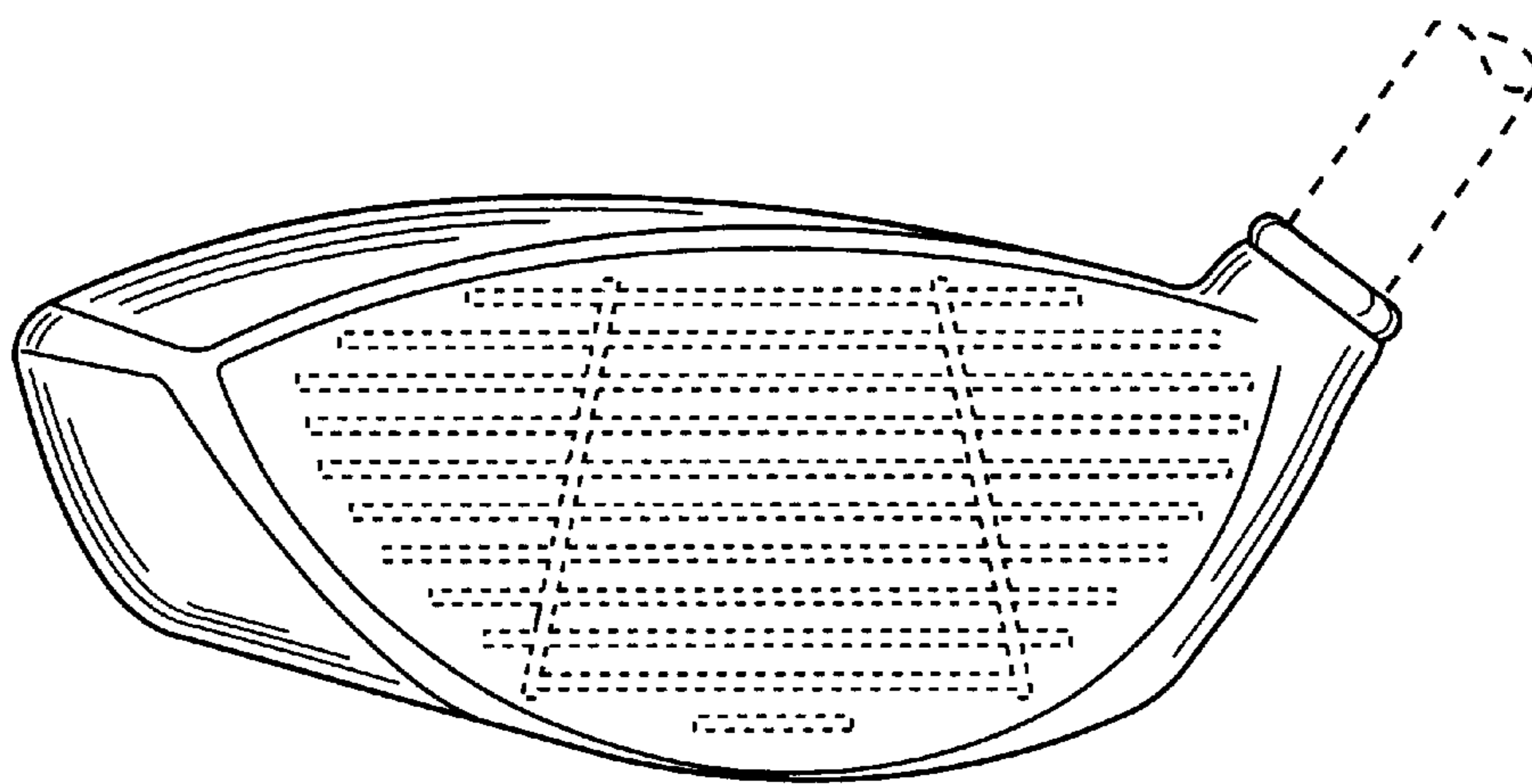


FIG. 2

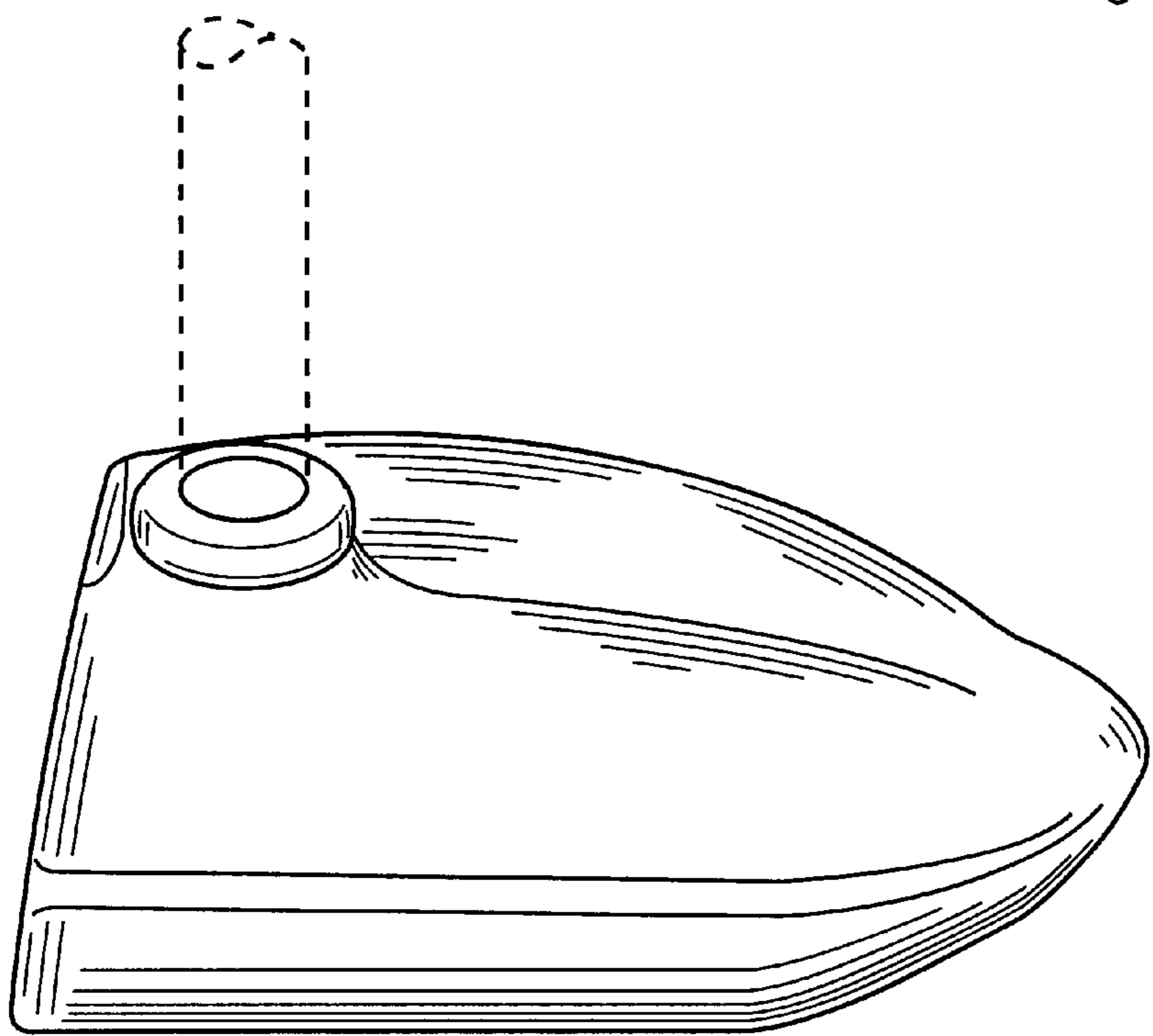
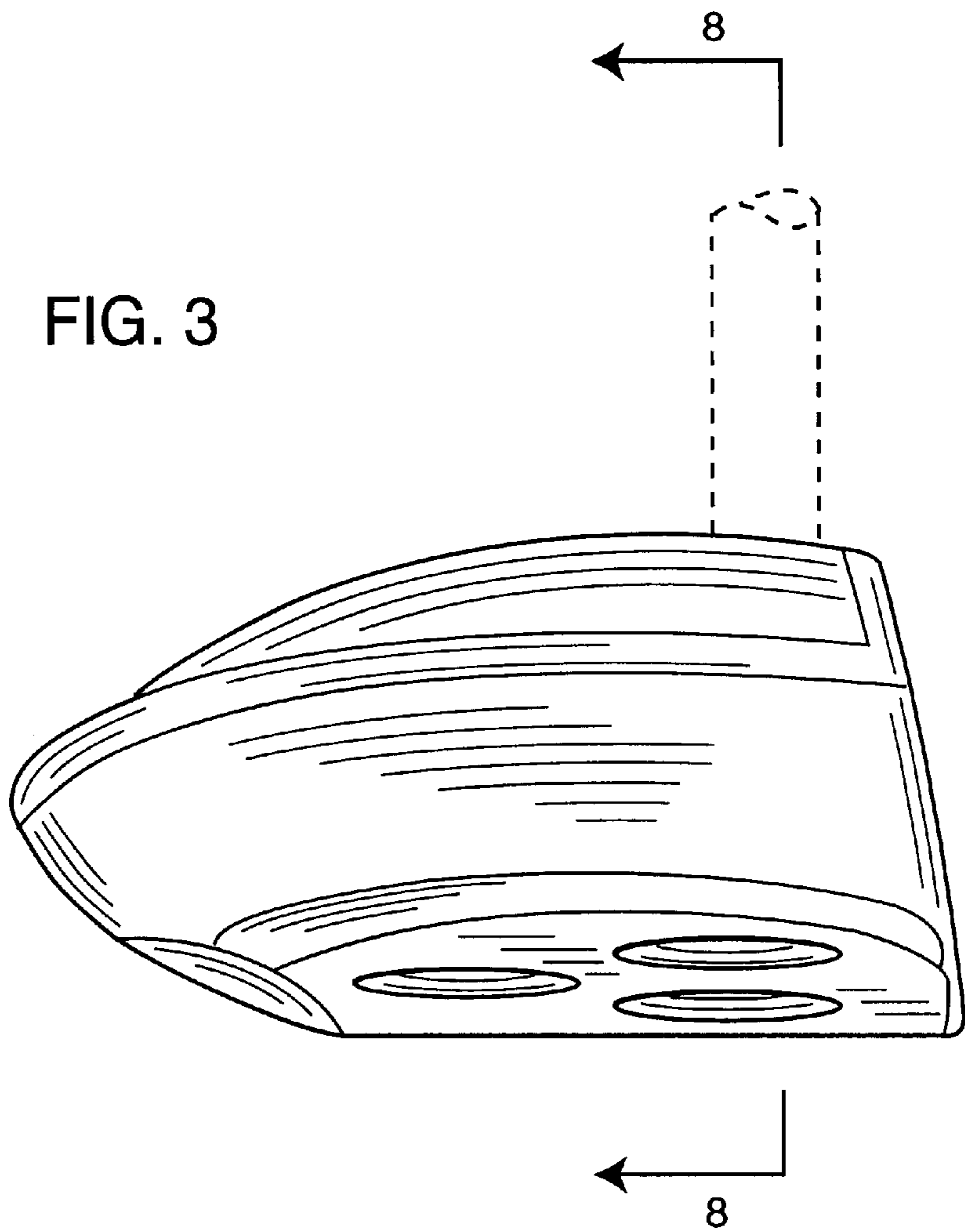
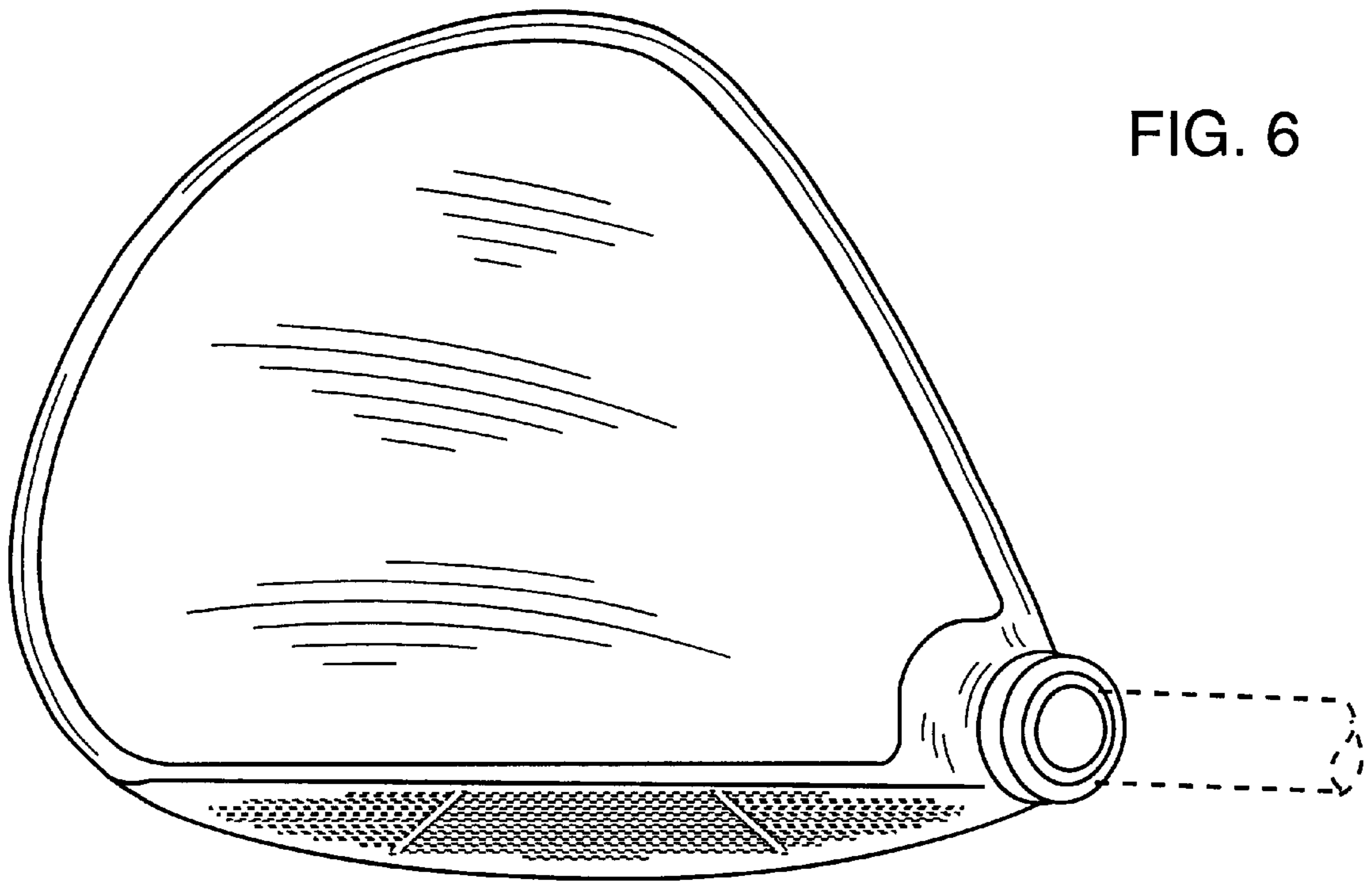
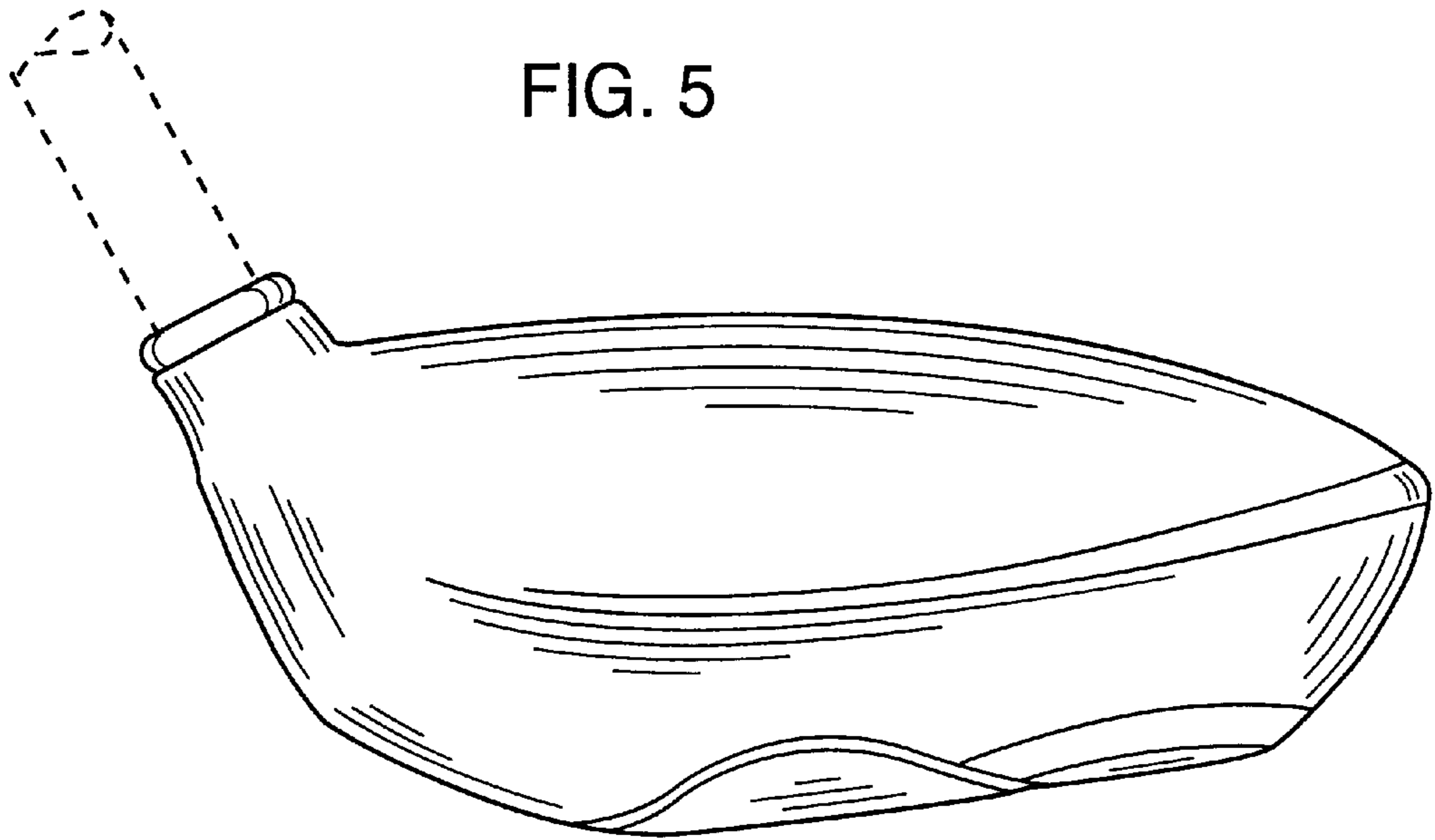


FIG. 4



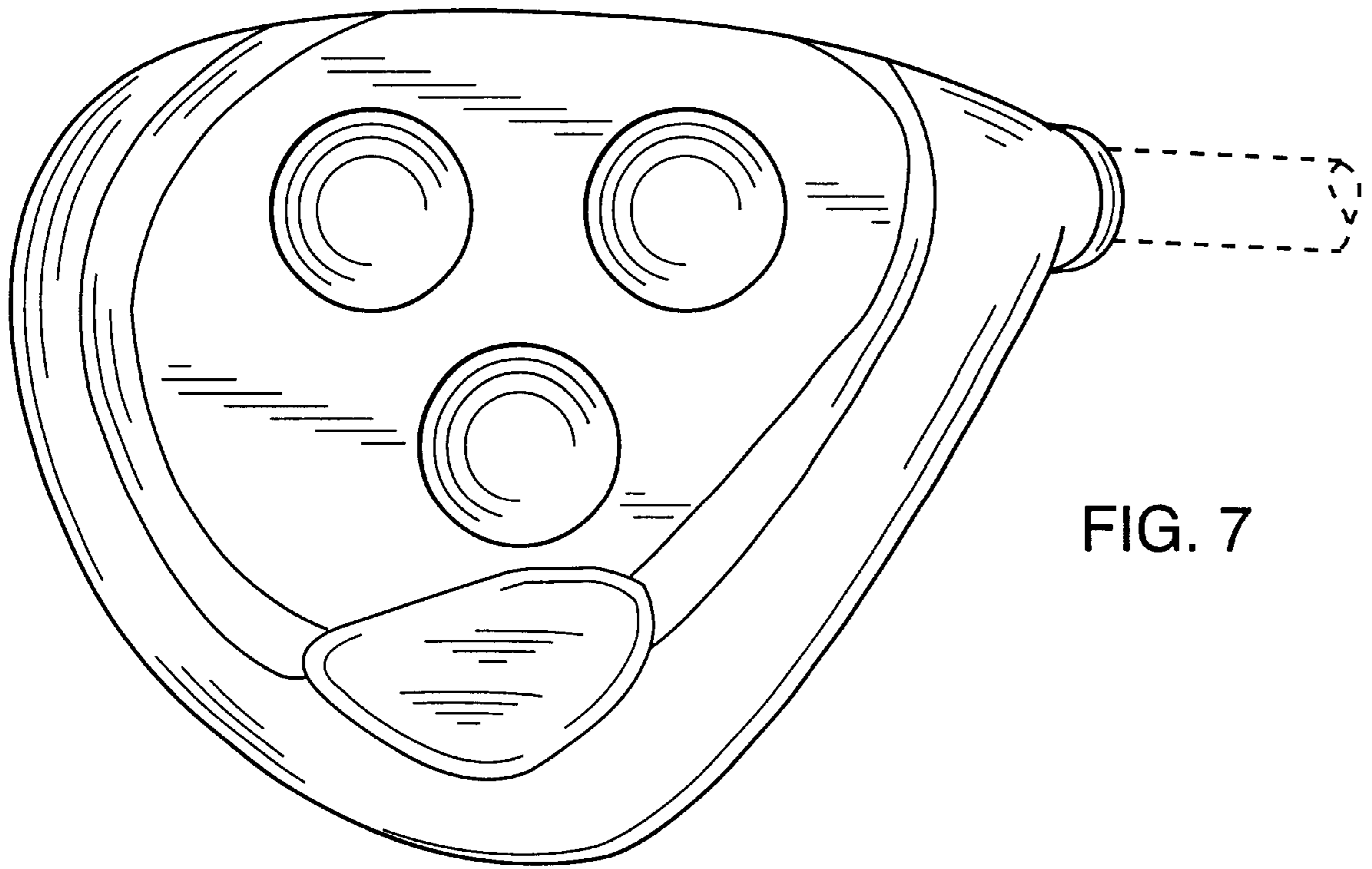


FIG. 7

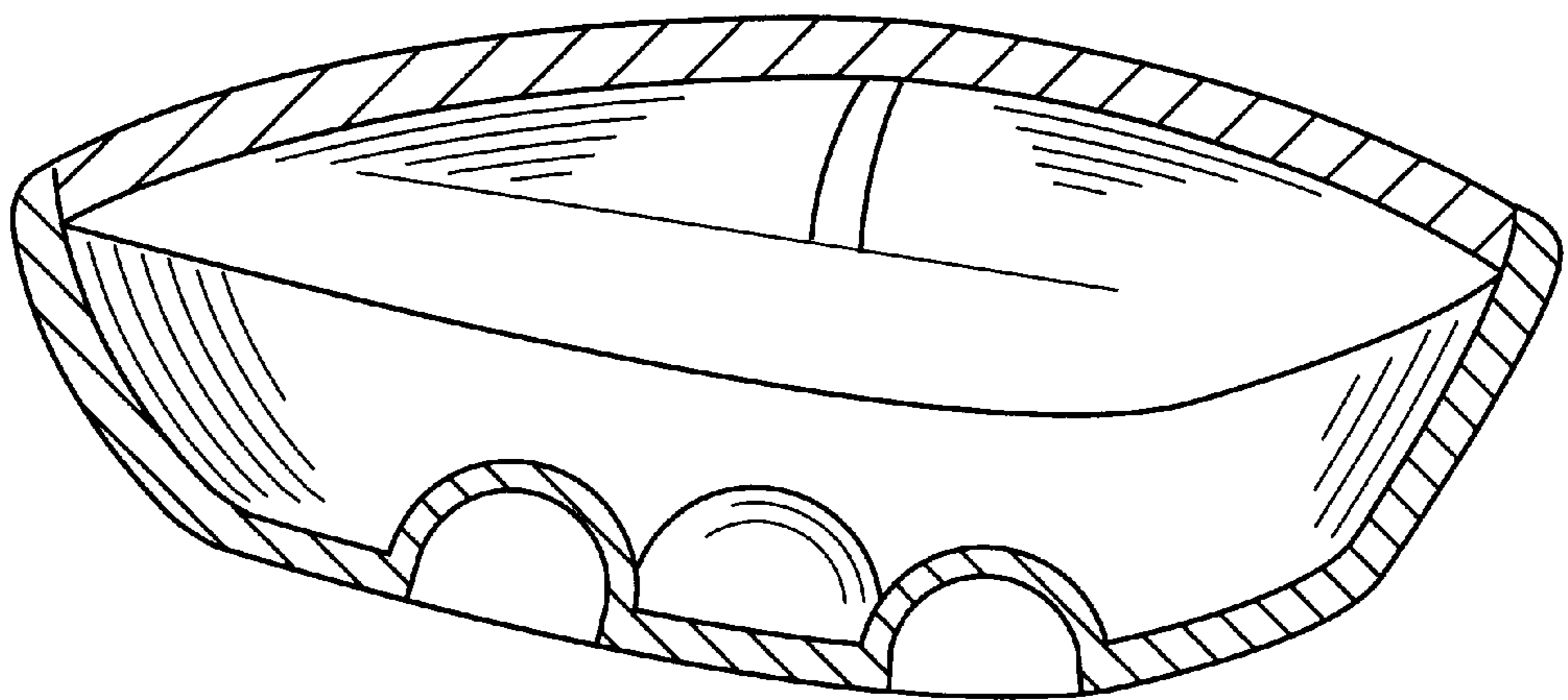


FIG. 8

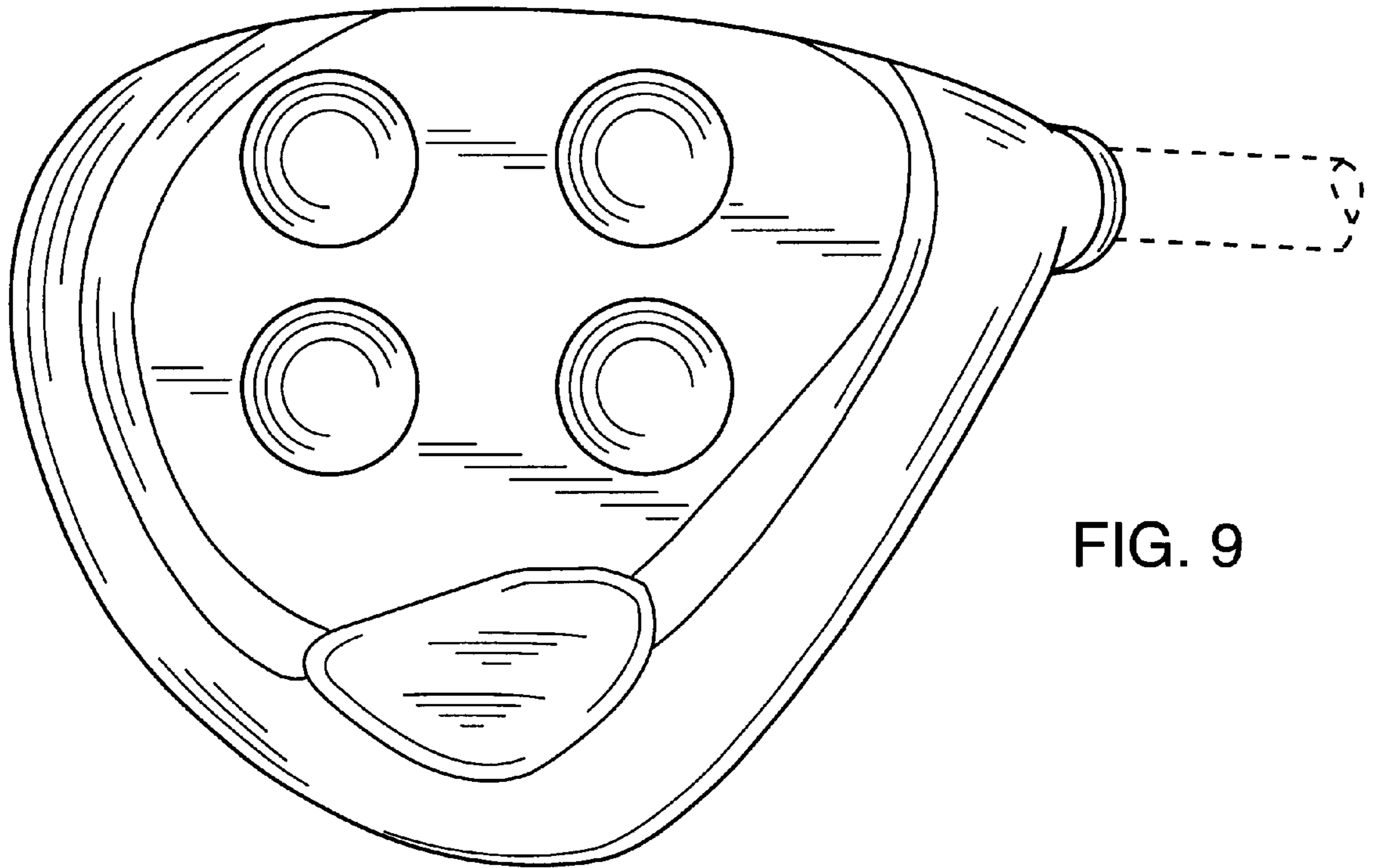


FIG. 9

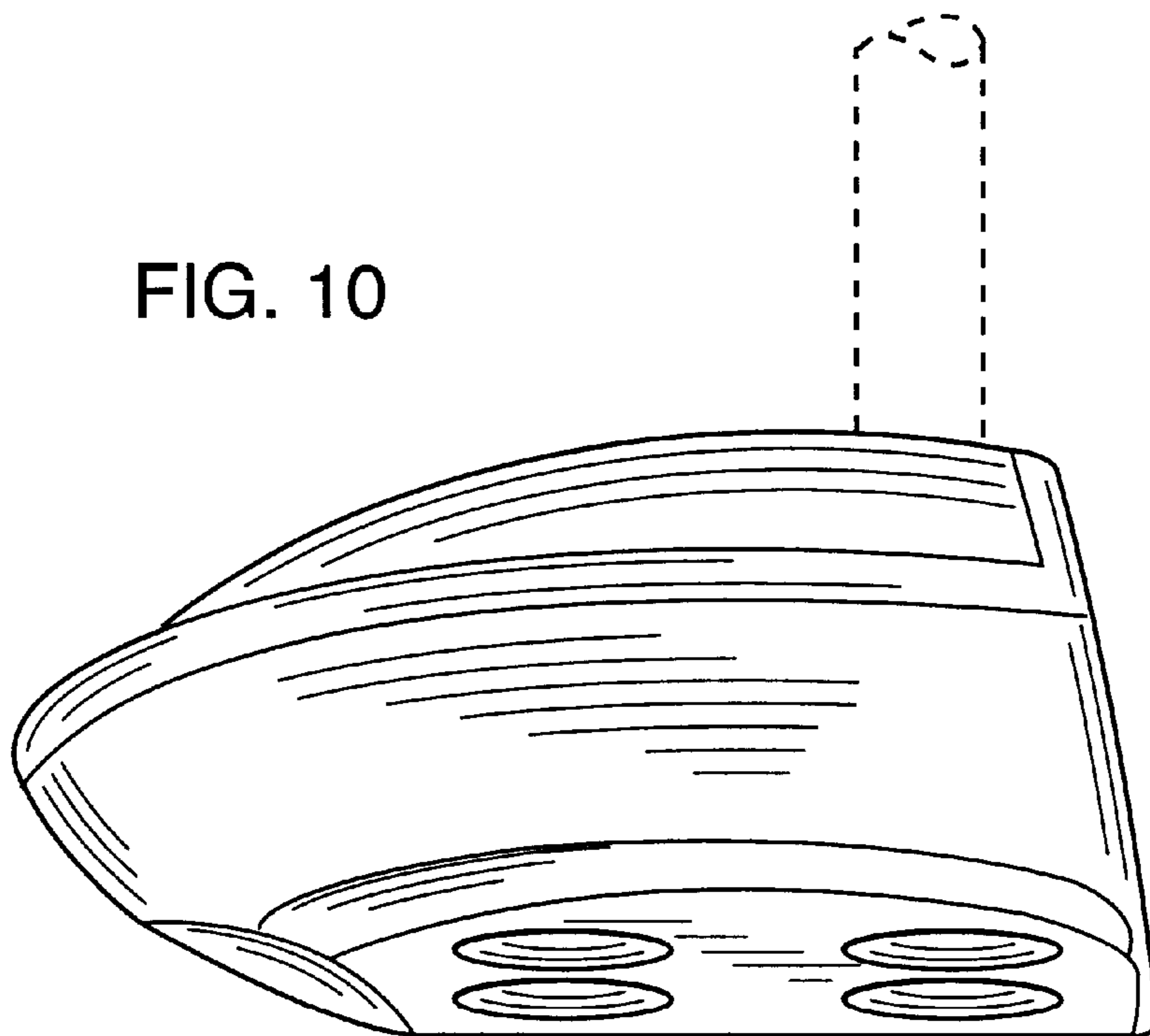


FIG. 10

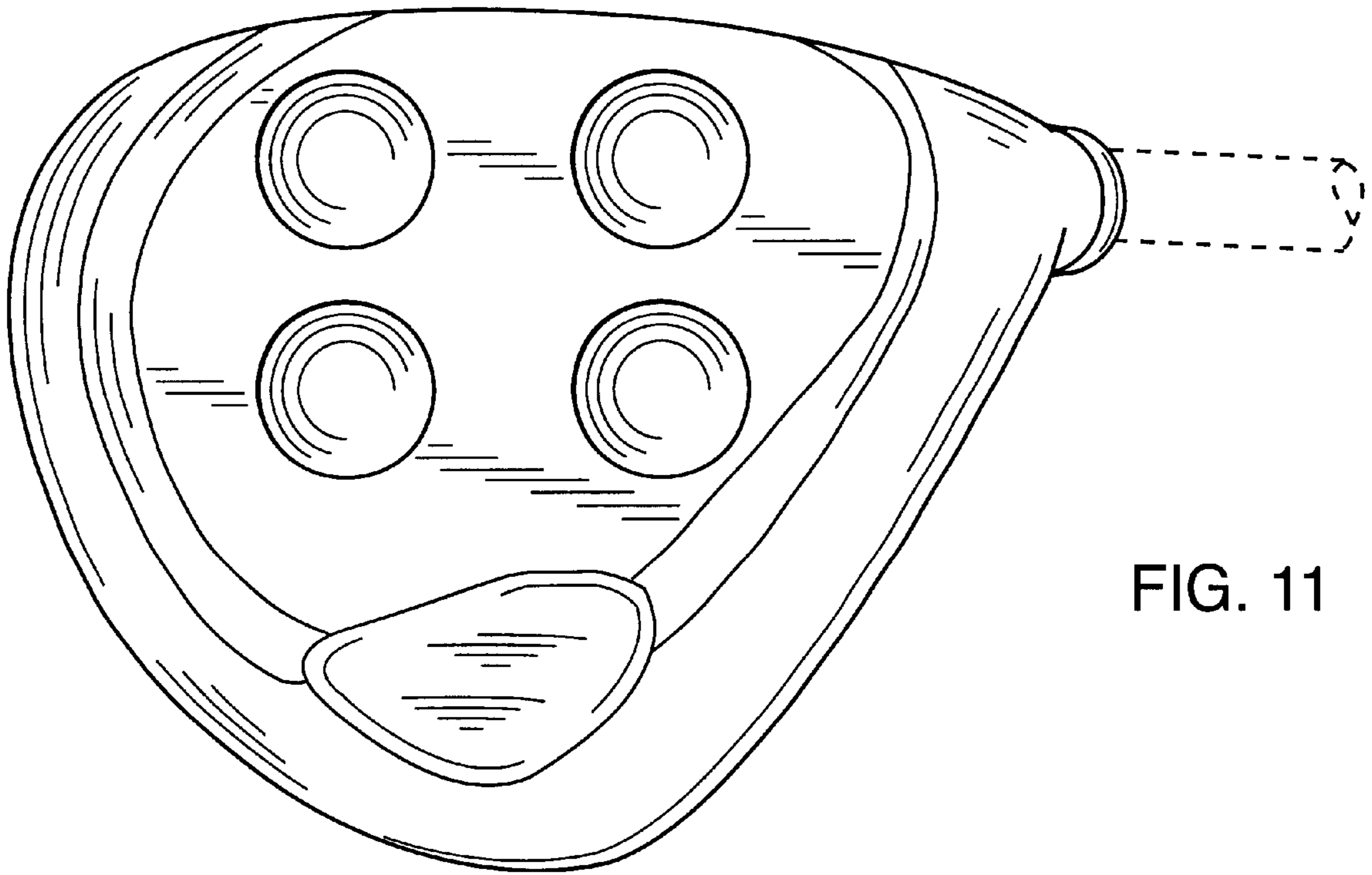


FIG. 11

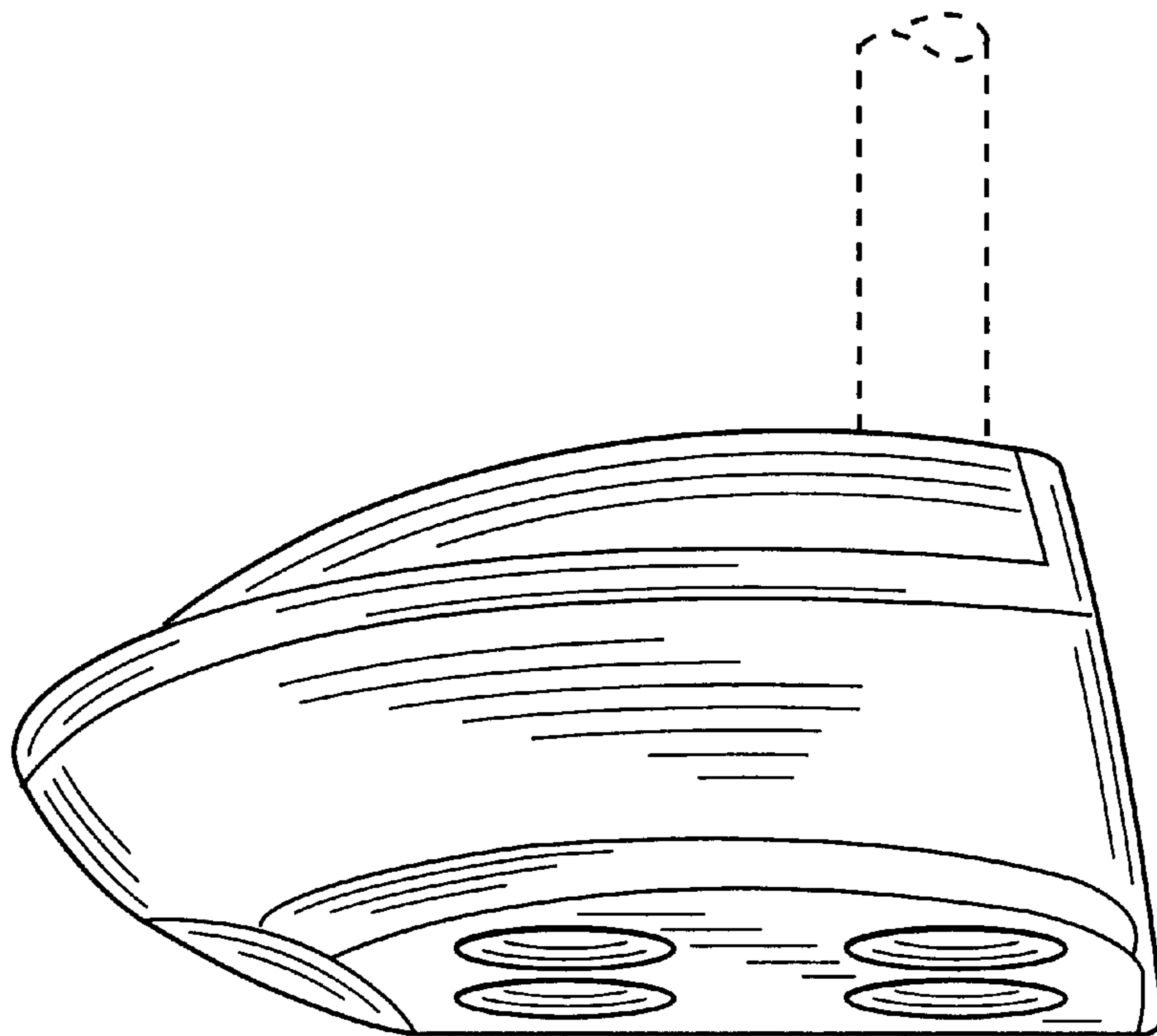


FIG. 12

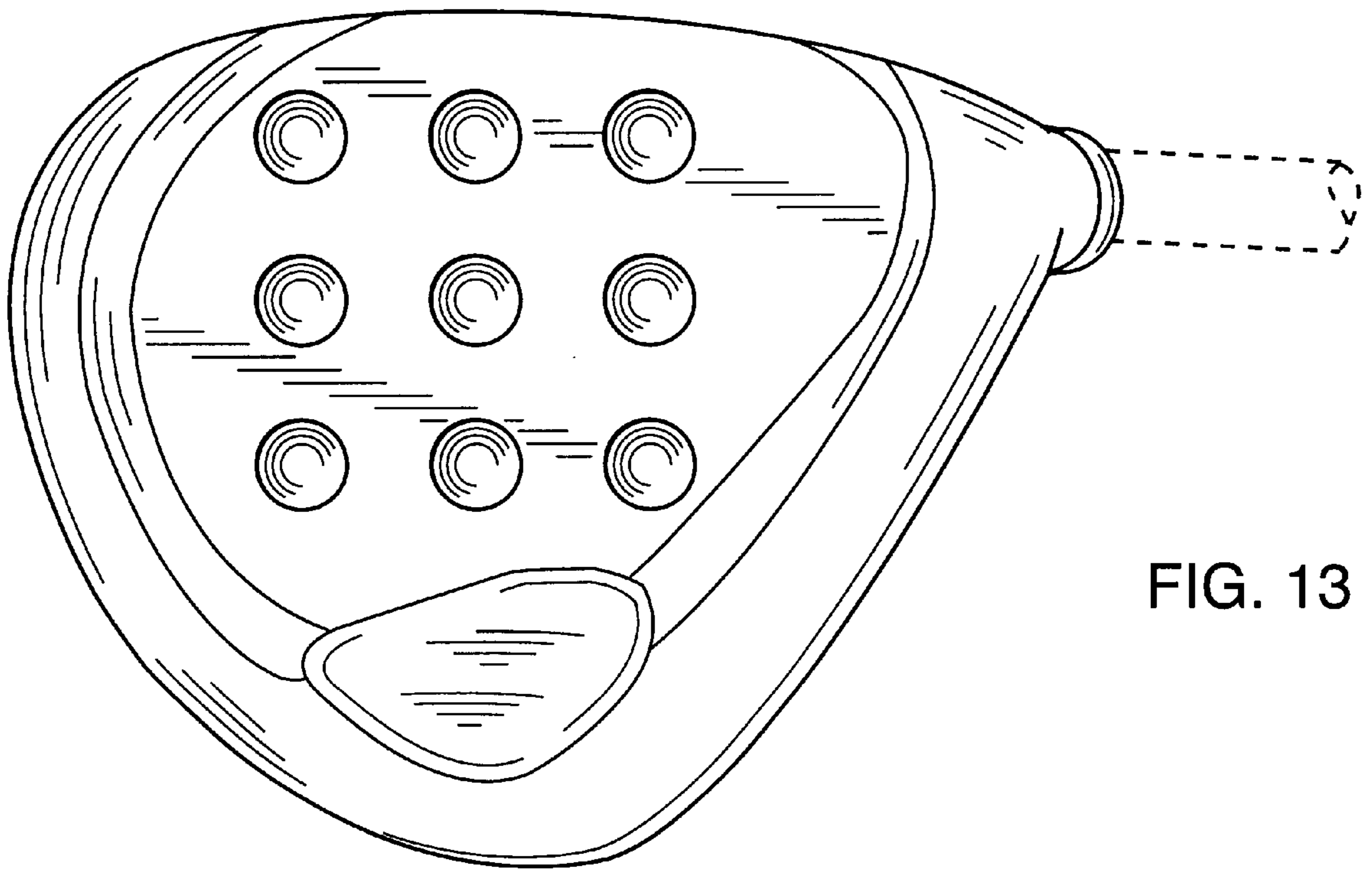


FIG. 13

FIG. 14

