



US00D478138S

(12) **United States Design Patent**
Juliusson

(10) **Patent No.:** **US D478,138 S**

(45) **Date of Patent:** **** Aug. 5, 2003**

(54) **EXERCISING STRETCHING AND
BACKREST APPARATUS**

(75) Inventor: **Julius Juliusson**, Reykjavik (IS)

(73) Assignee: **Ex-Ice Islandi EHF.**, Kopavogur (IS)

(**) Term: **14 Years**

(21) Appl. No.: **29/142,695**

(22) Filed: **Jun. 1, 2001**

(30) **Foreign Application Priority Data**

Dec. 4, 2000 (IS) 223/2000

(51) **LOC (7) Cl.** **21-02**

(52) **U.S. Cl.** **D21/690; D6/361**

(58) **Field of Search** D21/662, 686,
D21/687, 688, 689, 691; 482/141, 140,
142; D6/361

(56) **References Cited**

U.S. PATENT DOCUMENTS

| | | | | | |
|-------------|---|---------|-------------|-------|---------|
| 3,767,190 A | * | 10/1973 | Biggerstaff | | 297/318 |
| 4,927,139 A | * | 5/1990 | Taltre | | 482/142 |
| D312,735 S | * | 12/1990 | Hoffmann | | D6/335 |
| D322,730 S | * | 12/1991 | Taltre | | 5/652 |
| D379,722 S | * | 6/1997 | Good | | D6/361 |
| D420,822 S | * | 2/2000 | Sabo | | D6/361 |
| D429,908 S | * | 8/2000 | King | | D6/358 |

* cited by examiner

Primary Examiner—Philip S. Hyder

(74) *Attorney, Agent, or Firm*—Finnegan, Henderson,
Farabow, Garrett & Dunner, L.L.P

(57) **CLAIM**

The ornamental design for an exercising stretching and backrest apparatus, as shown and described.

DESCRIPTION

FIG. 1 is a right-side perspective view of my new design in an extended configuration;

FIG. 2 is a right-side view of the embodiment of FIG. 1, the left side view being a mirror image thereof;

FIG. 3 is a front view of my new design in the configuration of FIG. 1;

FIG. 4 is a front view of my new design in the configuration of FIG. 3 with a cover on the lower main member removed;

FIG. 5 is a bottom perspective view of my new design in an extended configuration;

FIG. 6 is a back view of my new design;

FIG. 7 is a right-side view of my new design in an alternate, retracted configuration;

FIG. 8 is a front view of my new design in the configuration depicted in FIG. 7;

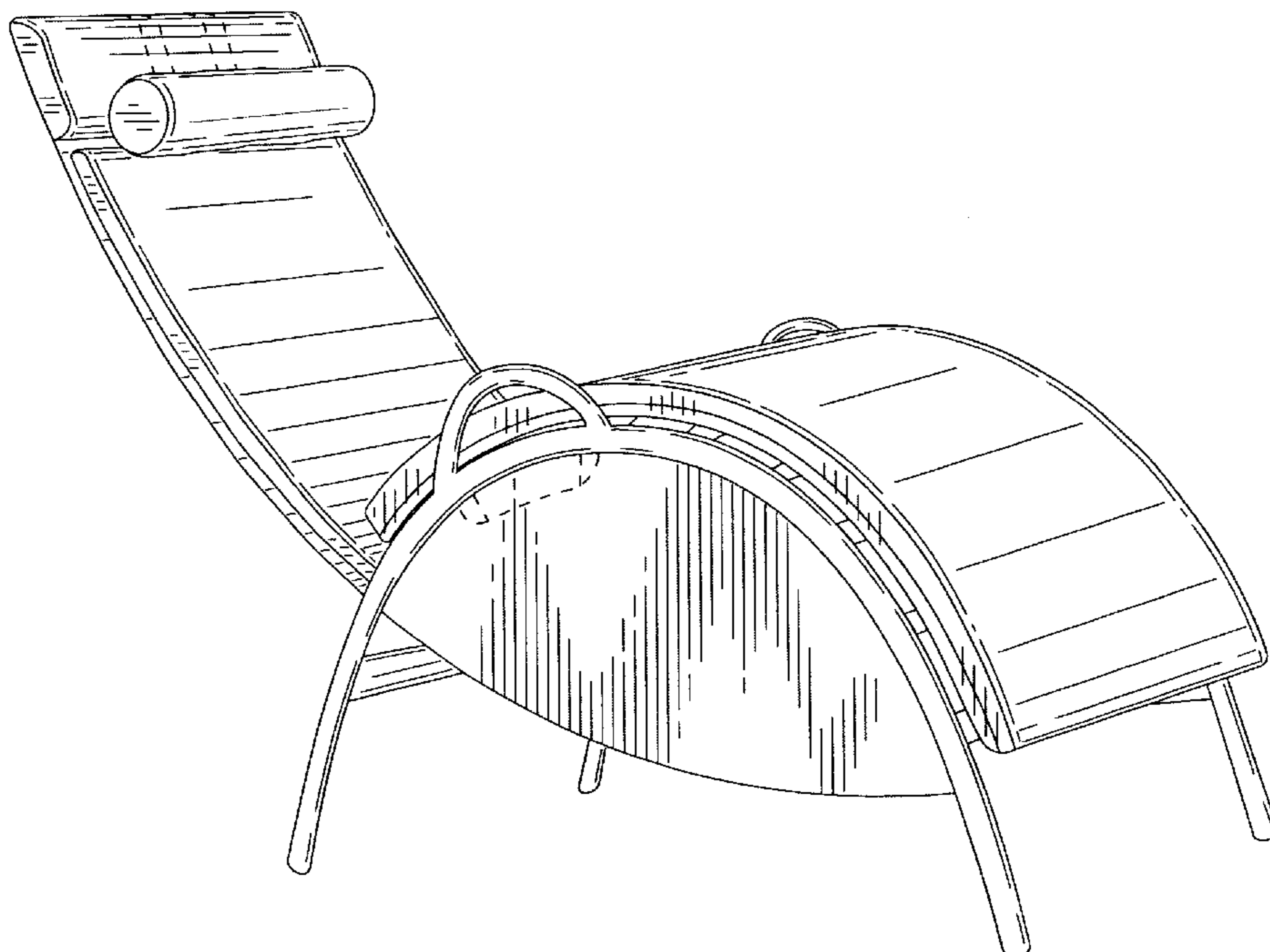
FIG. 9 is a right-side view of the embodiment of FIG. 7 with a cover on the lower main member partially removed;

FIG. 10 is a right-side view of the embodiment of FIG. 7 with a cover on the lower main member removed; and,

FIG. 11 is a right-side view of the embodiment in the configuration of FIG. 2, with a cover of the sides removed.

The broken line showing of portions of the drawings are for illustrative purposes only and form no part of the claimed design.

1 Claim, 10 Drawing Sheets



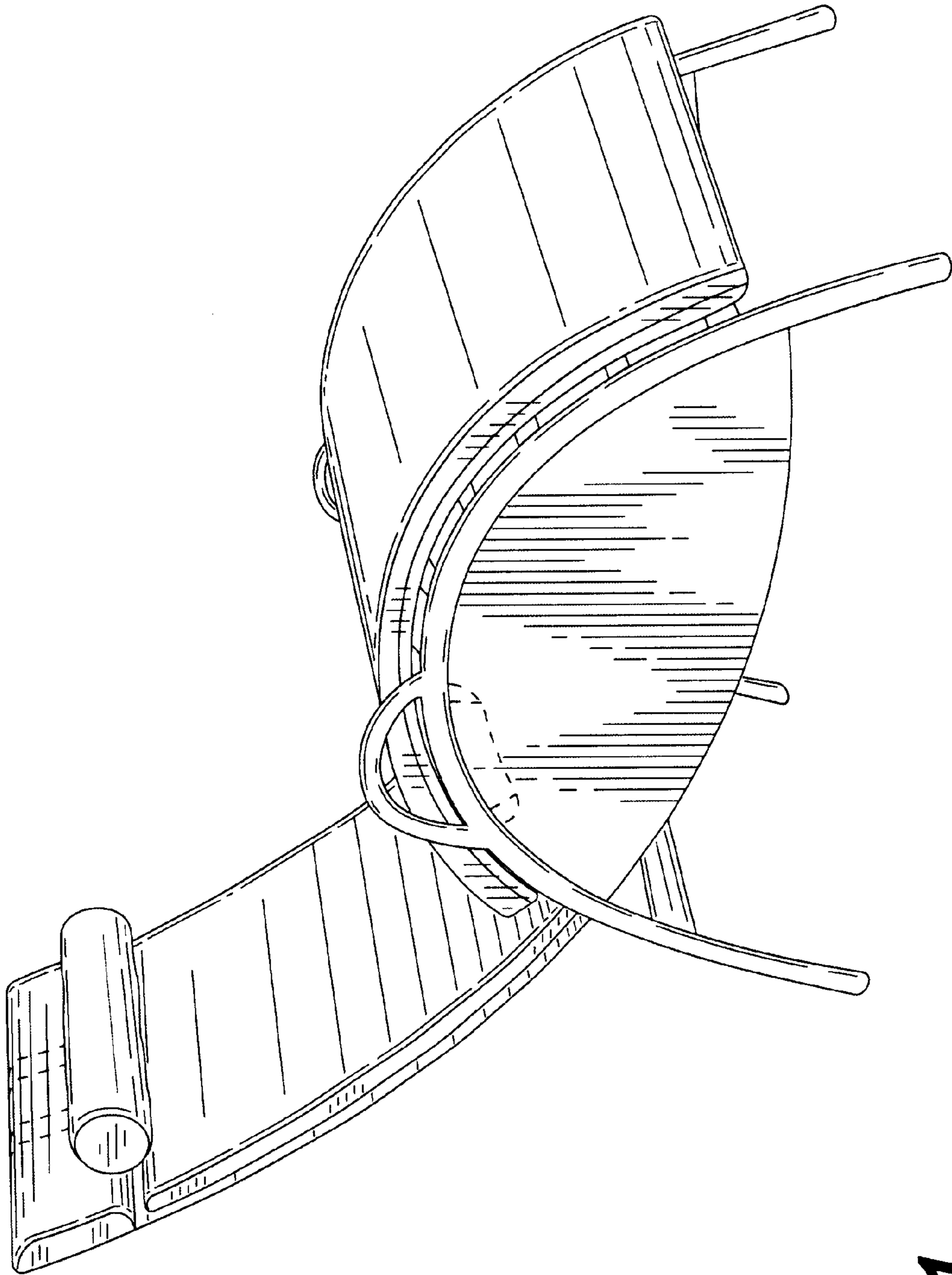


FIG. 1

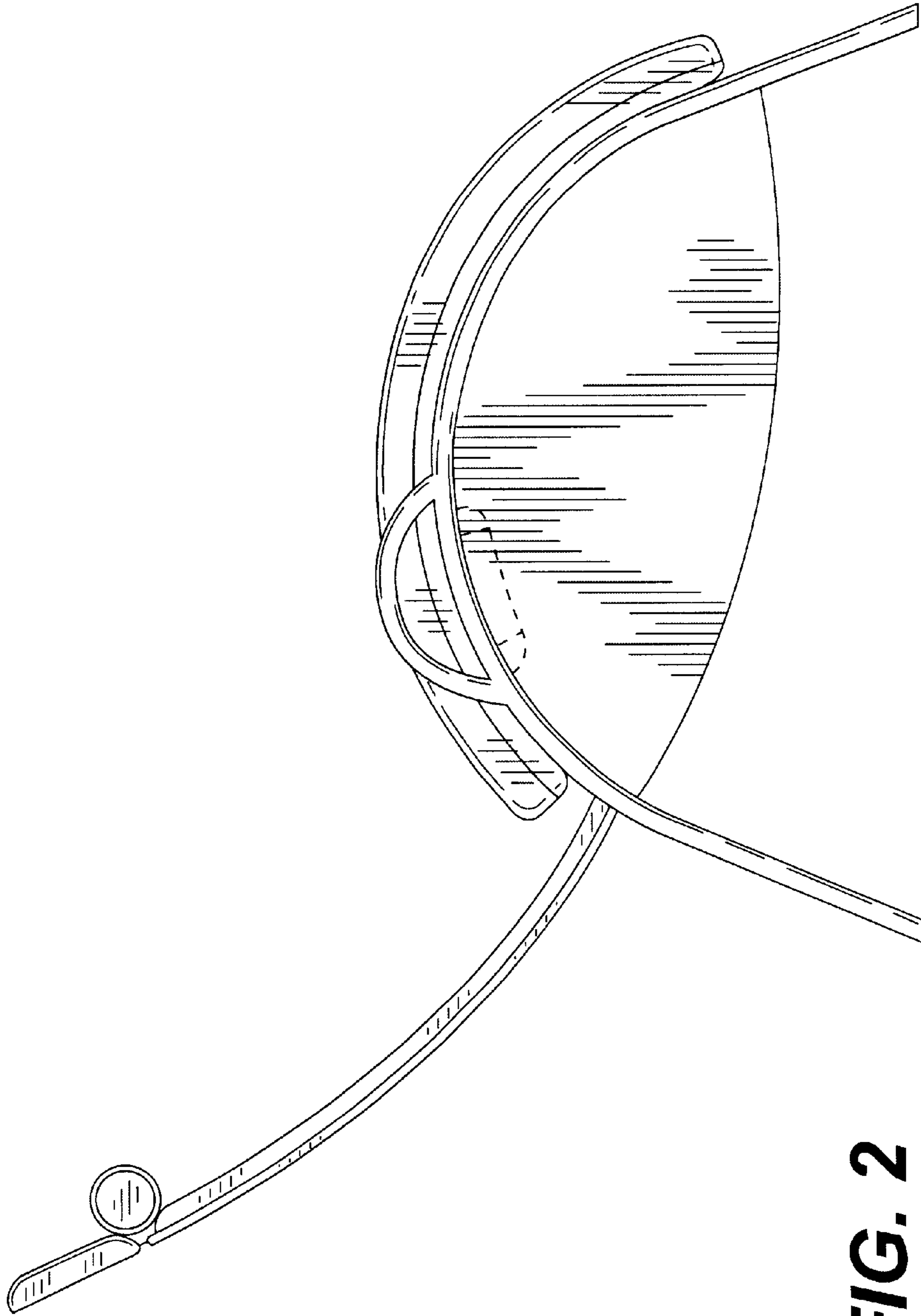


FIG. 2

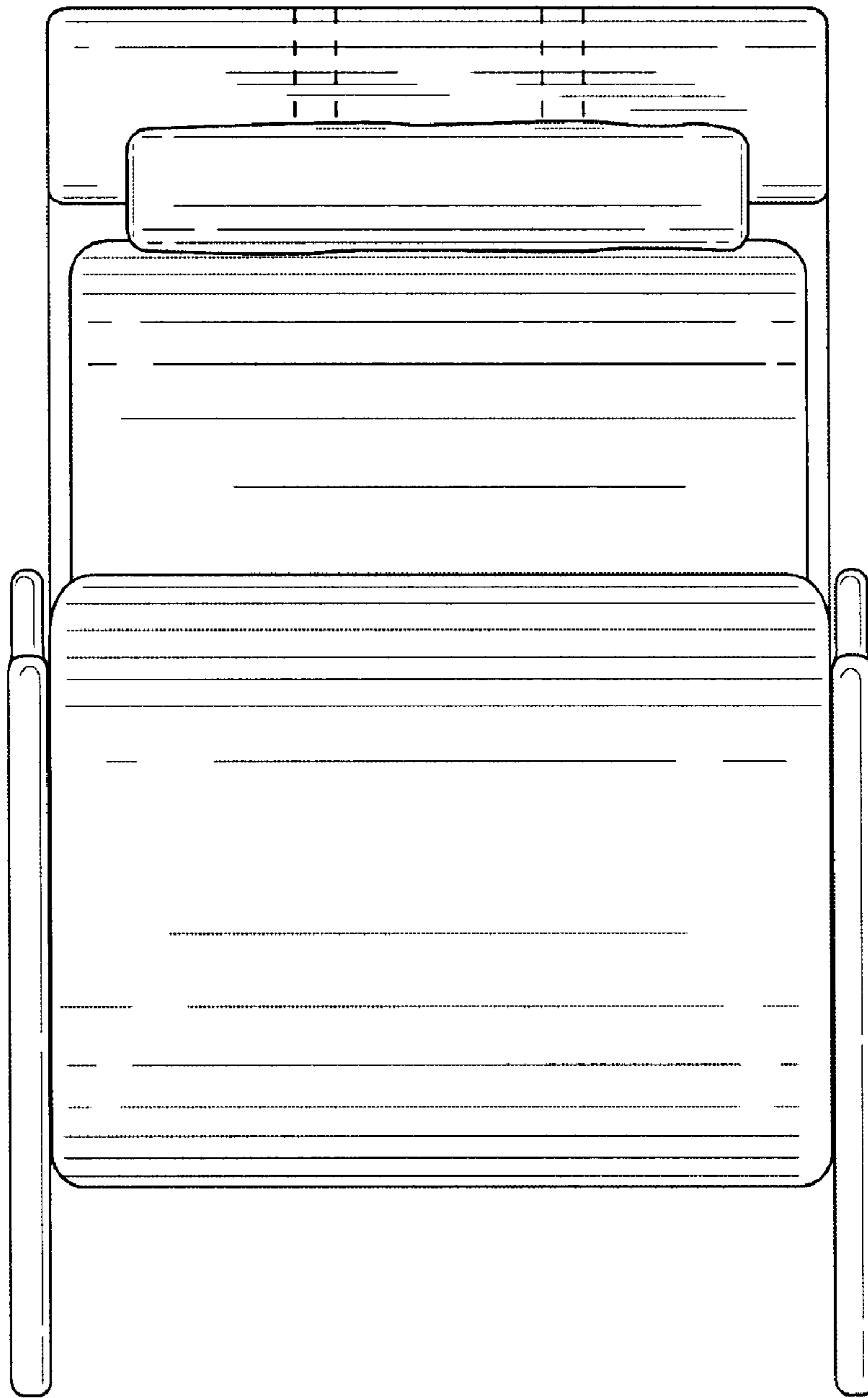


FIG. 3

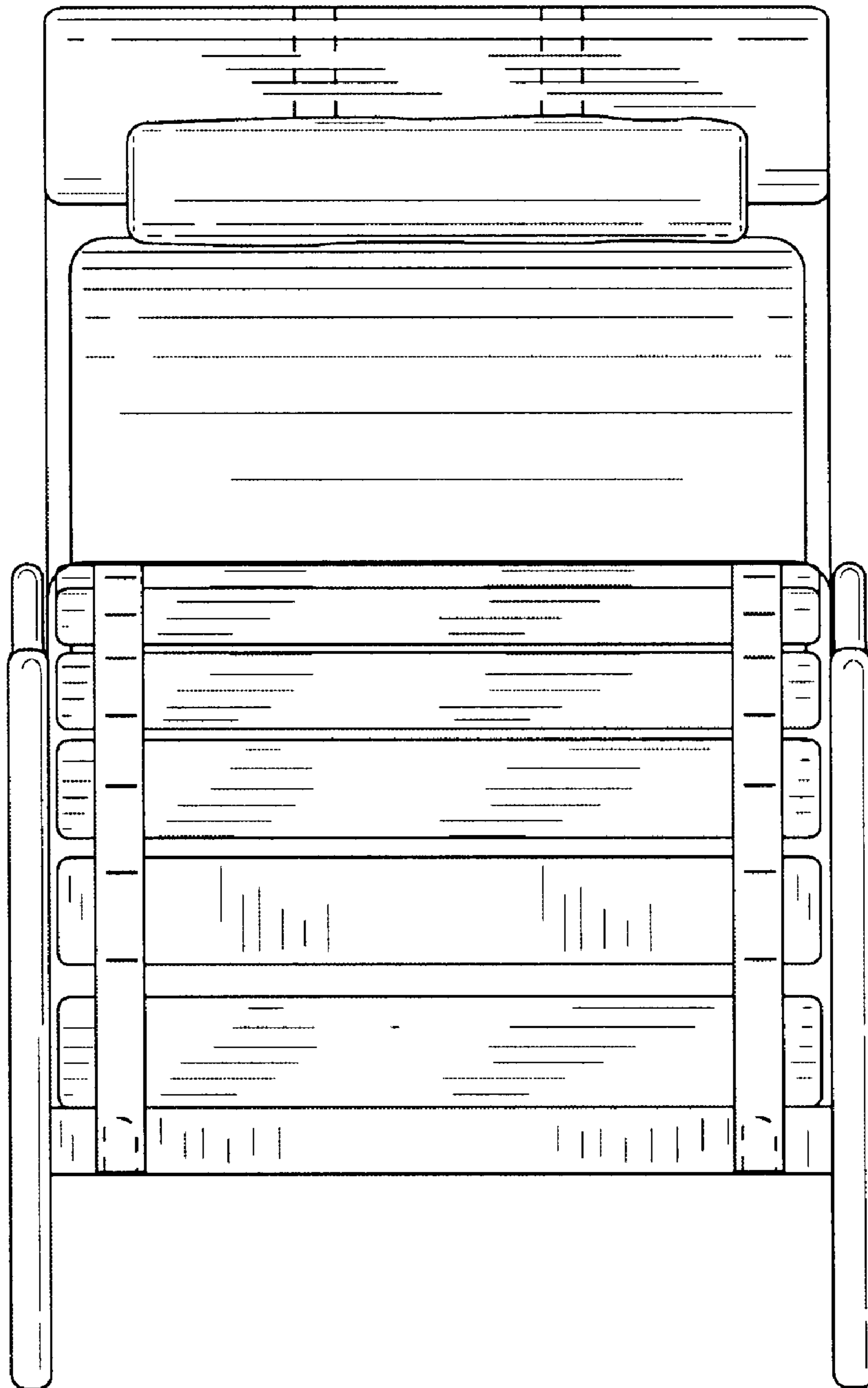


FIG. 4

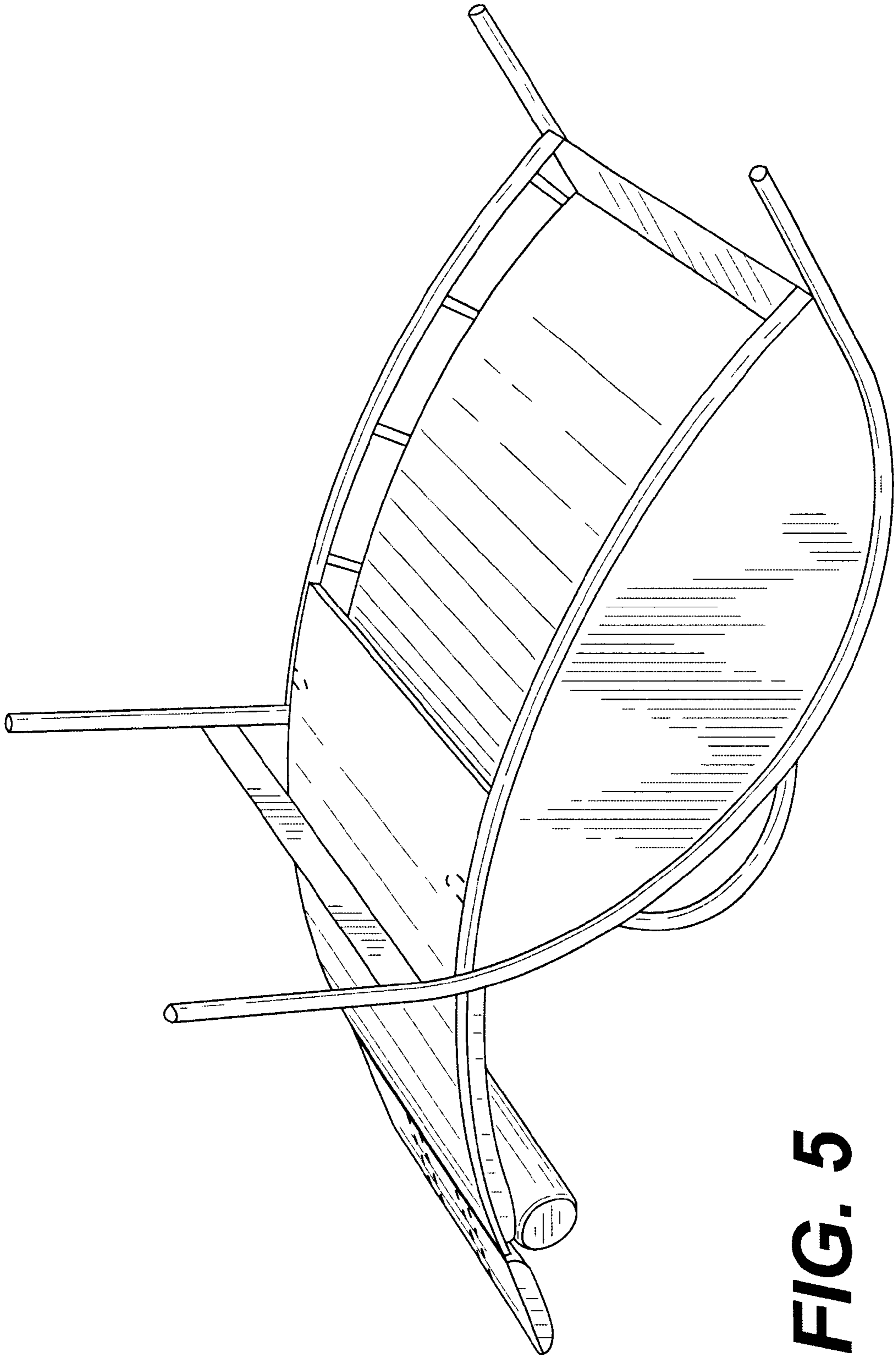


FIG. 5

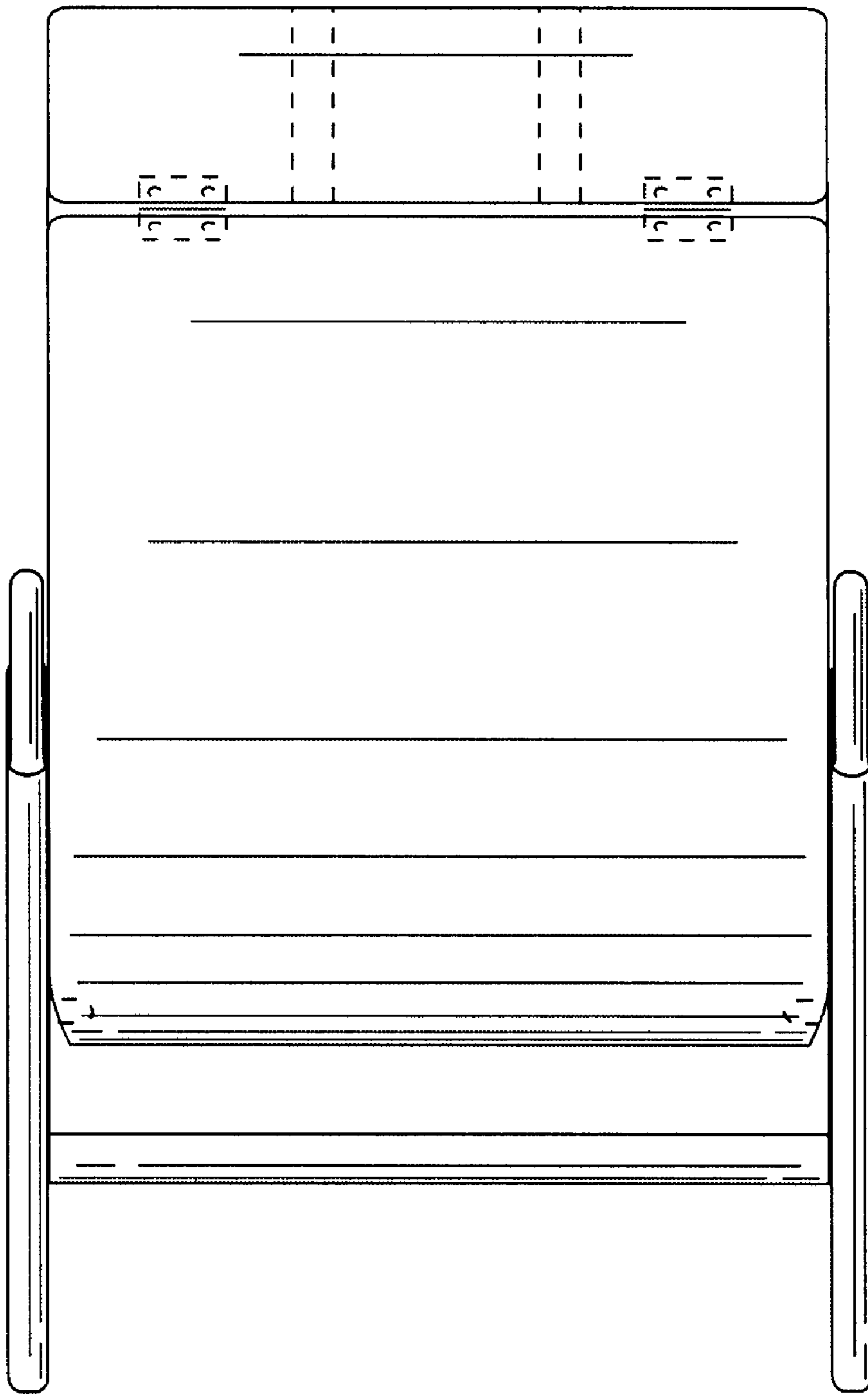


FIG. 6

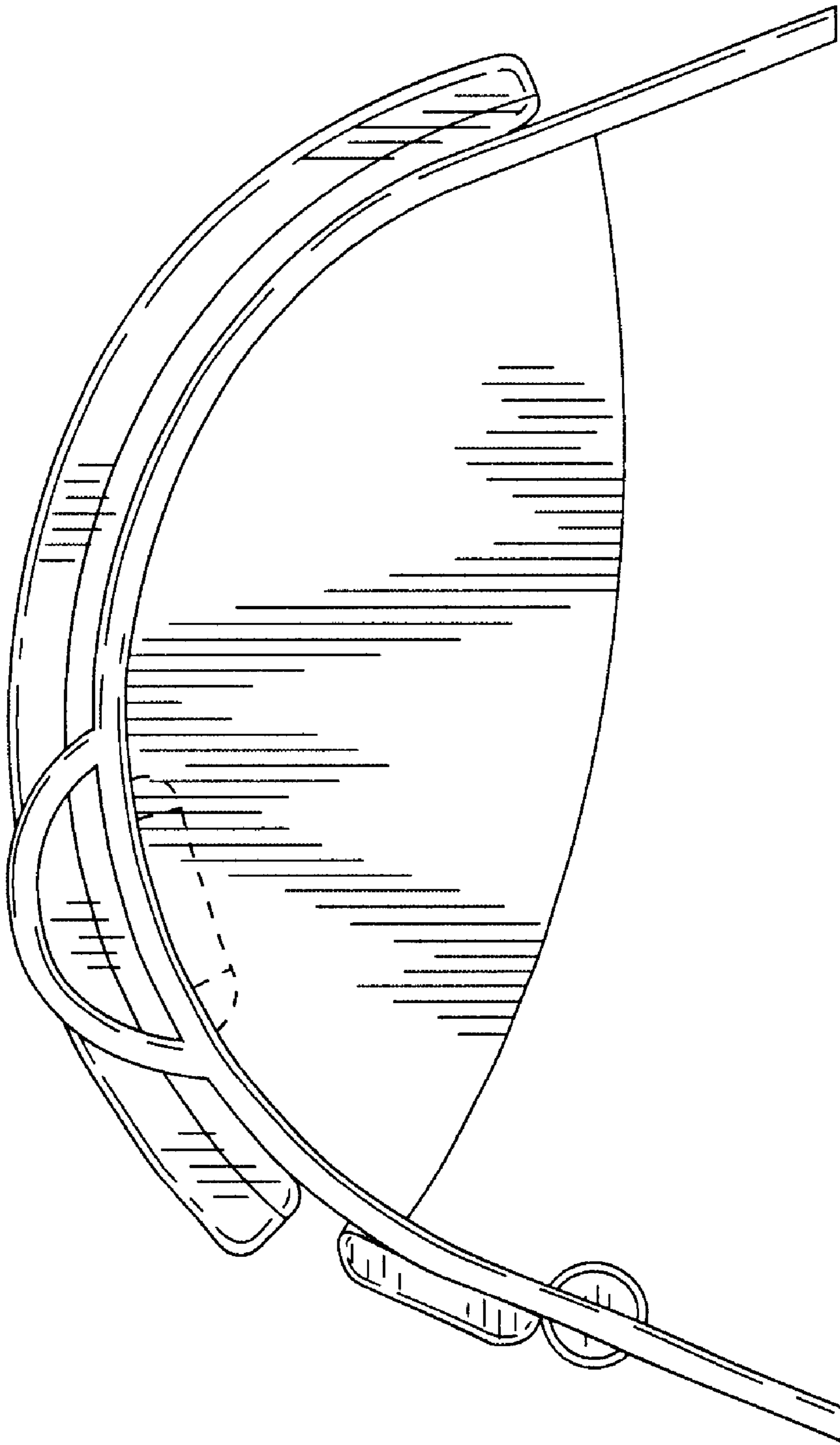


FIG. 7

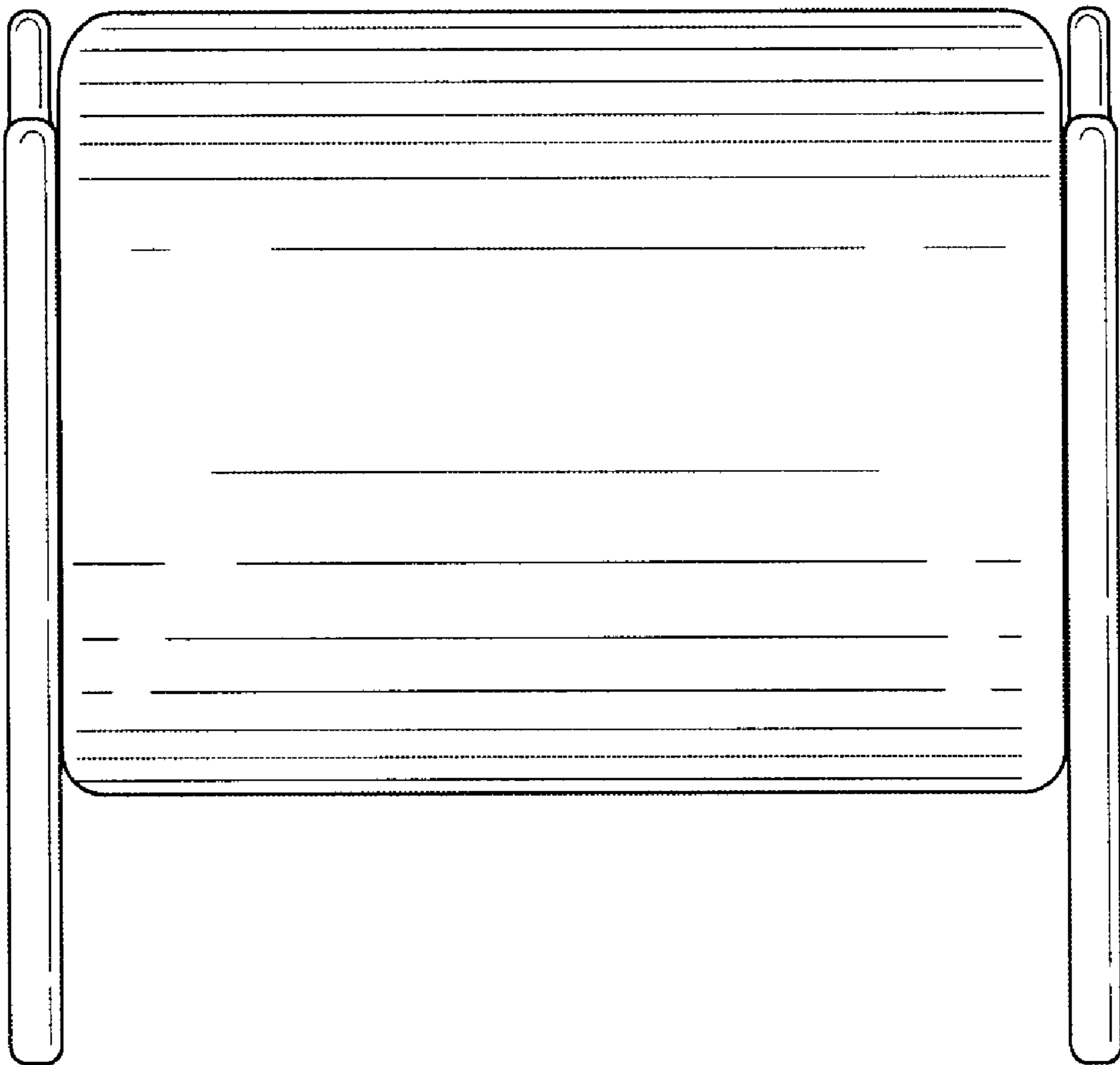


FIG. 8

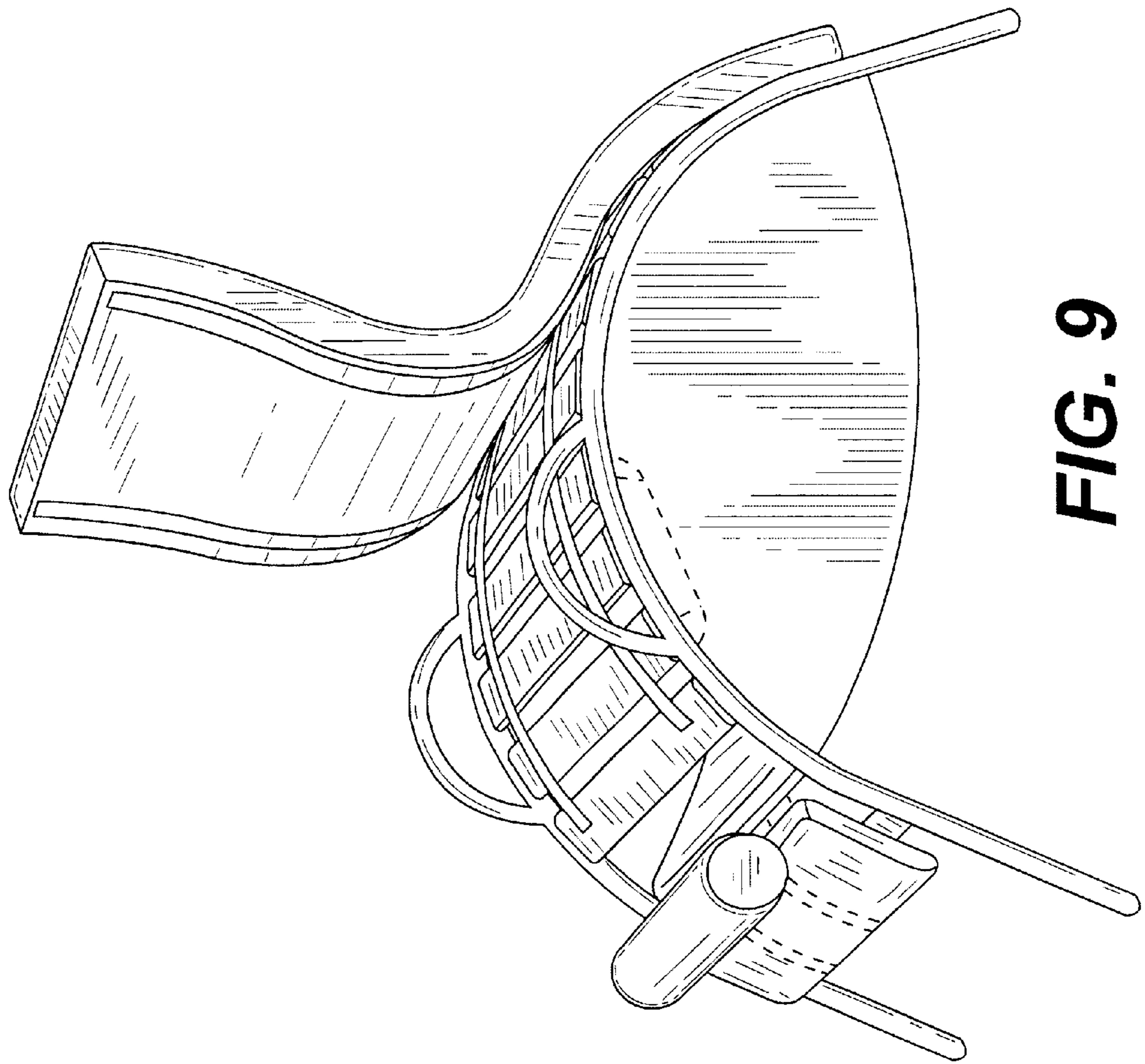


FIG. 9

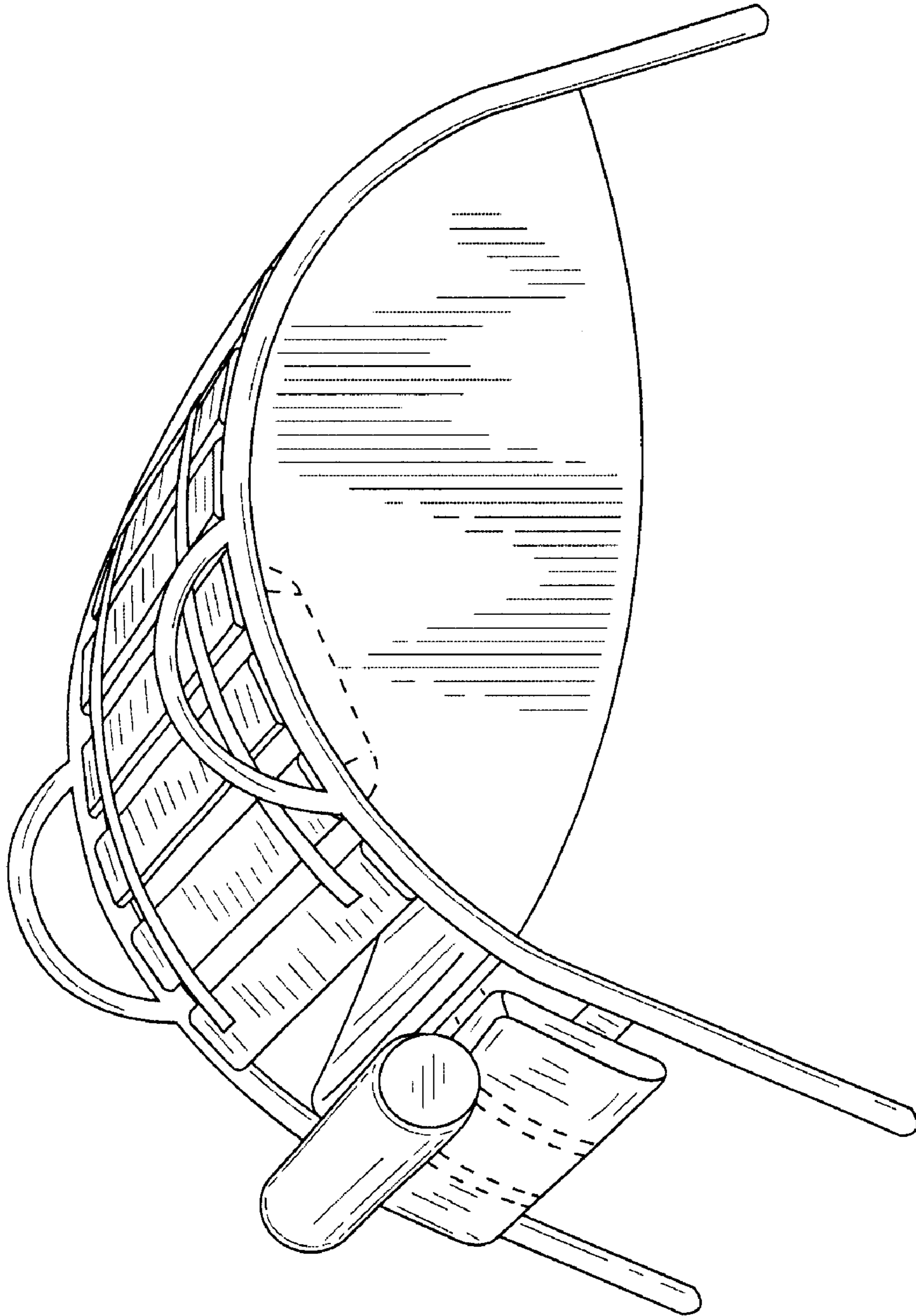


FIG. 10